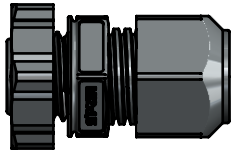
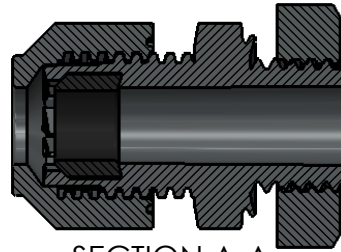




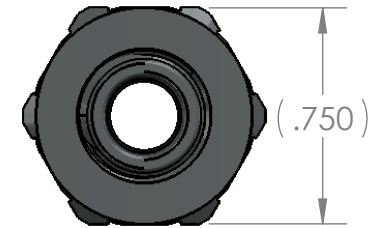
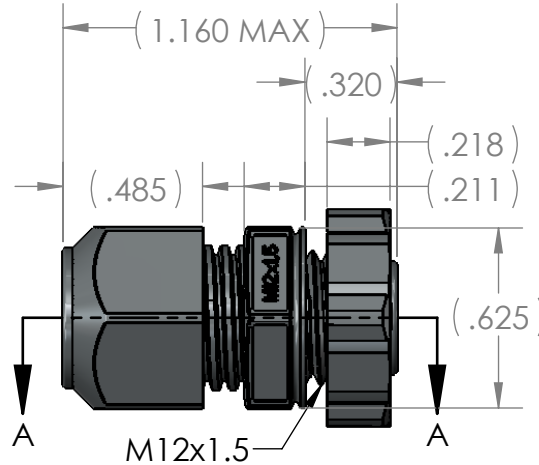
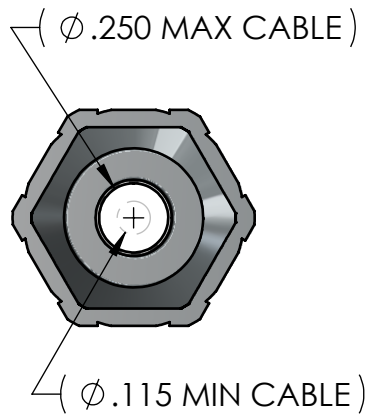
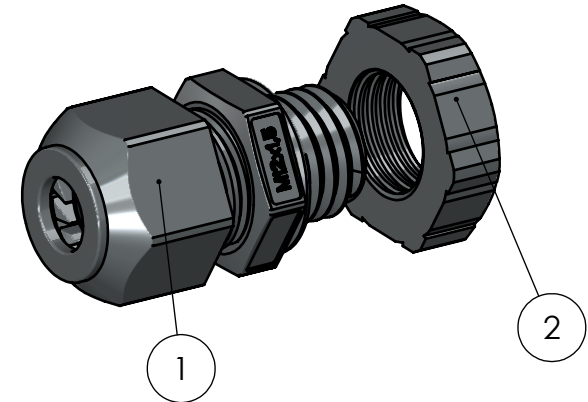
SCALE 1:1



SCALE 1:1




SECTION A-A



BOM Table						
ITEM NO.	PART NUMBER	Rev.	Description	Material	Color	QTY.
1	CG-30-BODY	-	BODY	NYLON 6/6	GRAY	1
2	NUT-M12-01	-	LOCK NUT	NYLON 6/6	GRAY	1

NOTES:

- CLEARANCE MTG. HOLE: ϕ .473 MIN
- STATIC TEMPERATURE RANGE: -40°F TO 239°F

UNLESS OTHERWISE SPECIFIED: DIMENSIONS ARE IN: INCHES[mm] TOLERANCES: ANGULAR: $\pm 2^\circ$ TWO PLACE DECIMAL: $\pm .03$ THREE PLACE DECIMAL: $\pm .015$ PRINTED GRAPHICS: $\pm .010$		PART NO. CG-30		 <small>1305 CHESTER IND. PARKWAY AVON, OHIO 44011-1083 U.S.A. PH#: 1-800-248-1233, 440-934-0444 FAX#: 440-934-0088</small>	
PROPRIETARY AND CONFIDENTIAL THE INFORMATION CONTAINED IN THIS DRAWING IS THE SOLE PROPERTY OF POLYCASE. ANY REPRODUCTION IN PART OR AS A WHOLE WITHOUT THE WRITTEN PERMISSION OF POLYCASE IS PROHIBITED. CAD FILE: CG-30		MATERIAL			
FLAME RATING UL94V-2		SIZE A	CABLE GLAND		REV -
DRAWN CHECKED	NAME D.M.F. B.M.B.	DATE 8/25/2015 8/28/2015	SCALE: 1.5:1		SHEET 1 OF 1

REV.	DESCRIPTION	ZONE	BY	APPR'D	DATE
REVISIONS					

5

4

3

2

1