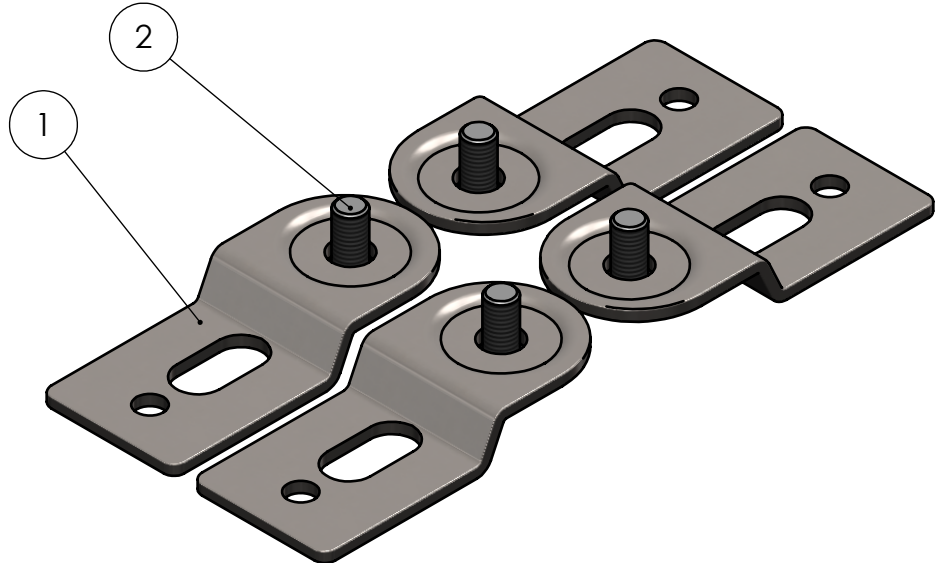
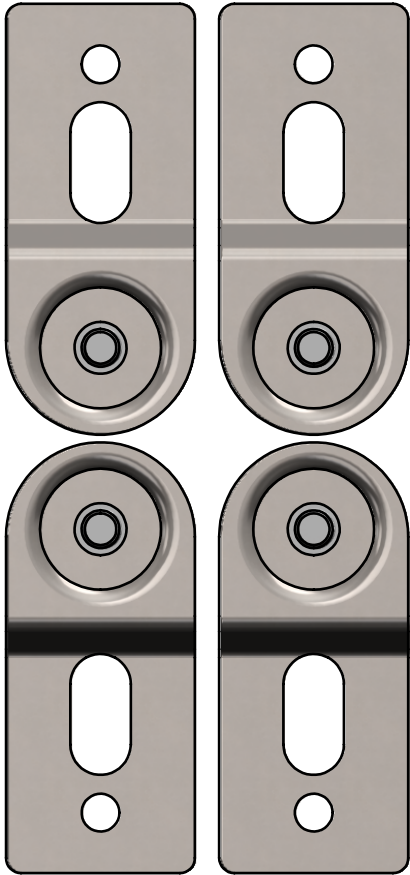


BOM Table					
ITEM NO.	PART NUMBER	Rev.	Description	Material	QTY.
1	WQ-91F	-	WALL MTG. FLANGE	SST	4
2	SCREWS-026	-	M5X0.8 x 10mm CROSS TRUSS HEAD SCREW		4



UNLESS OTHERWISE SPECIFIED:
 DIMENSIONS ARE IN: INCHES[mm]
 TOLERANCES: ANGULAR: $\pm 2^\circ$
 TWO PLACE DECIMAL: $\pm .010$
 THREE PLACE DECIMAL: $\pm .005$
 PRINTED GRAPHICS: $\pm .010$

PROPRIETARY AND CONFIDENTIAL
 THE INFORMATION CONTAINED IN THIS
 DRAWING IS THE SOLE PROPERTY OF
 POLYCASE. ANY REPRODUCTION IN PART
 OR AS A WHOLE WITHOUT THE WRITTEN
 PERMISSION OF POLYCASE IS PROHIBITED.
 CAD FILE: WQ-91

PART NO. WQ-91	
MATERIAL	
FLAME RATING	SIZE A
DRAWN D.M.F.	DATE 1/18/2016
CHECKED C.C.B.	DATE 1/29/2016

polycase
 1305 CHESTER IND. PARKWAY AVON, OHIO 44011-1083 U.S.A.
 PH#: 1-800-248-1233, 440-934-0444 FAX#: 440-934-0088

WALL MTG. KIT

REV
-

SCALE: 1:1

SHEET 1 OF 1

REV.	DESCRIPTION	ZONE	BY	APPR'D	DATE
	REVISIONS				

5

4

3

2

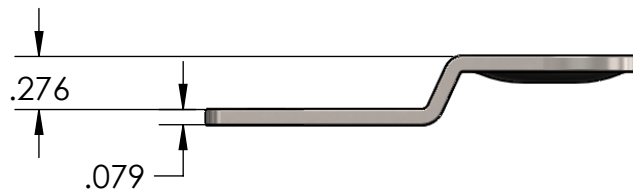
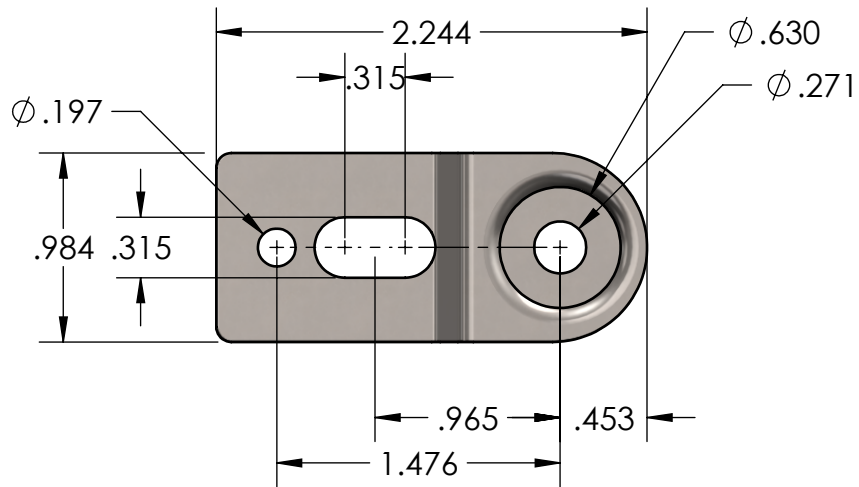
1

D

C

B

A



UNLESS OTHERWISE SPECIFIED:
 DIMENSIONS ARE IN: INCHES[mm]
 TOLERANCES: ANGULAR: $\pm 2^\circ$
 TWO PLACE DECIMAL: $\pm .010$
 THREE PLACE DECIMAL: $\pm .005$
 PRINTED GRAPHICS: $\pm .010$

PROPRIETARY AND CONFIDENTIAL
 THE INFORMATION CONTAINED IN THIS
 DRAWING IS THE SOLE PROPERTY OF
 POLYCASE. ANY REPRODUCTION IN PART
 OR AS A WHOLE WITHOUT THE WRITTEN
 PERMISSION OF POLYCASE IS PROHIBITED.
 CAD FILE: WQ-91F

PART NO.
 WQ-91F

MATERIAL
 SST

FLAME RATING

SIZE
A

NAME	DATE
DRAWN D.M.F.	1/18/2016
CHECKED C.C.B.	1/29/2016

polycase
 1305 CHESTER IND. PARKWAY AVON, OHIO 44011-1083 U.S.A.
 PH#: 1-800-248-1233, 440-934-0444 FAX#: 440-934-0088

REV
 -

SCALE: 1:1

SHEET 1 OF 1

REV.	DESCRIPTION	ZONE	BY	APPR'D	DATE
REVISIONS					

5

4

3

2

1

D

C

B

A