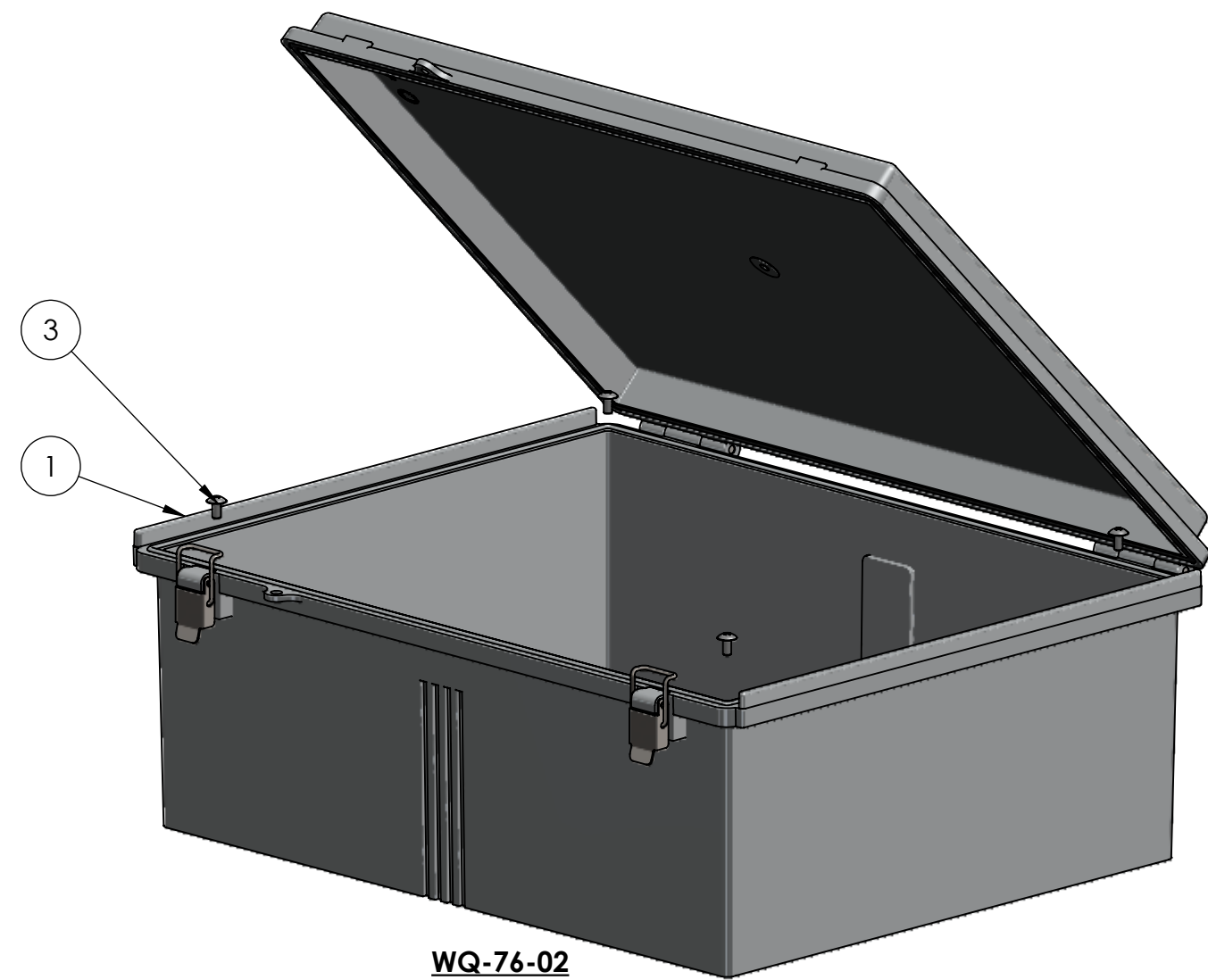
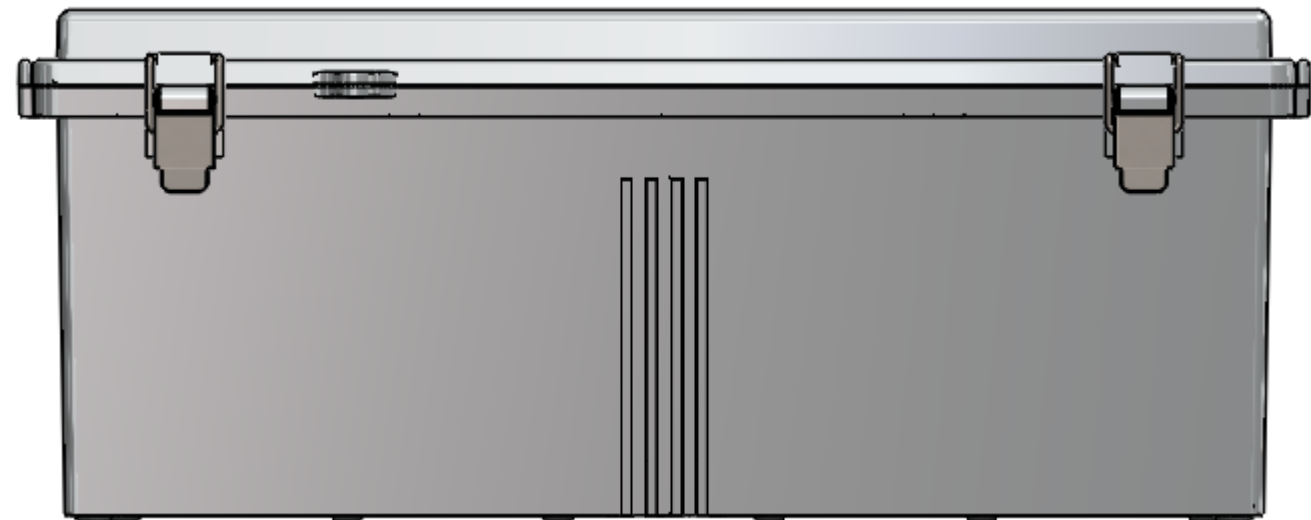
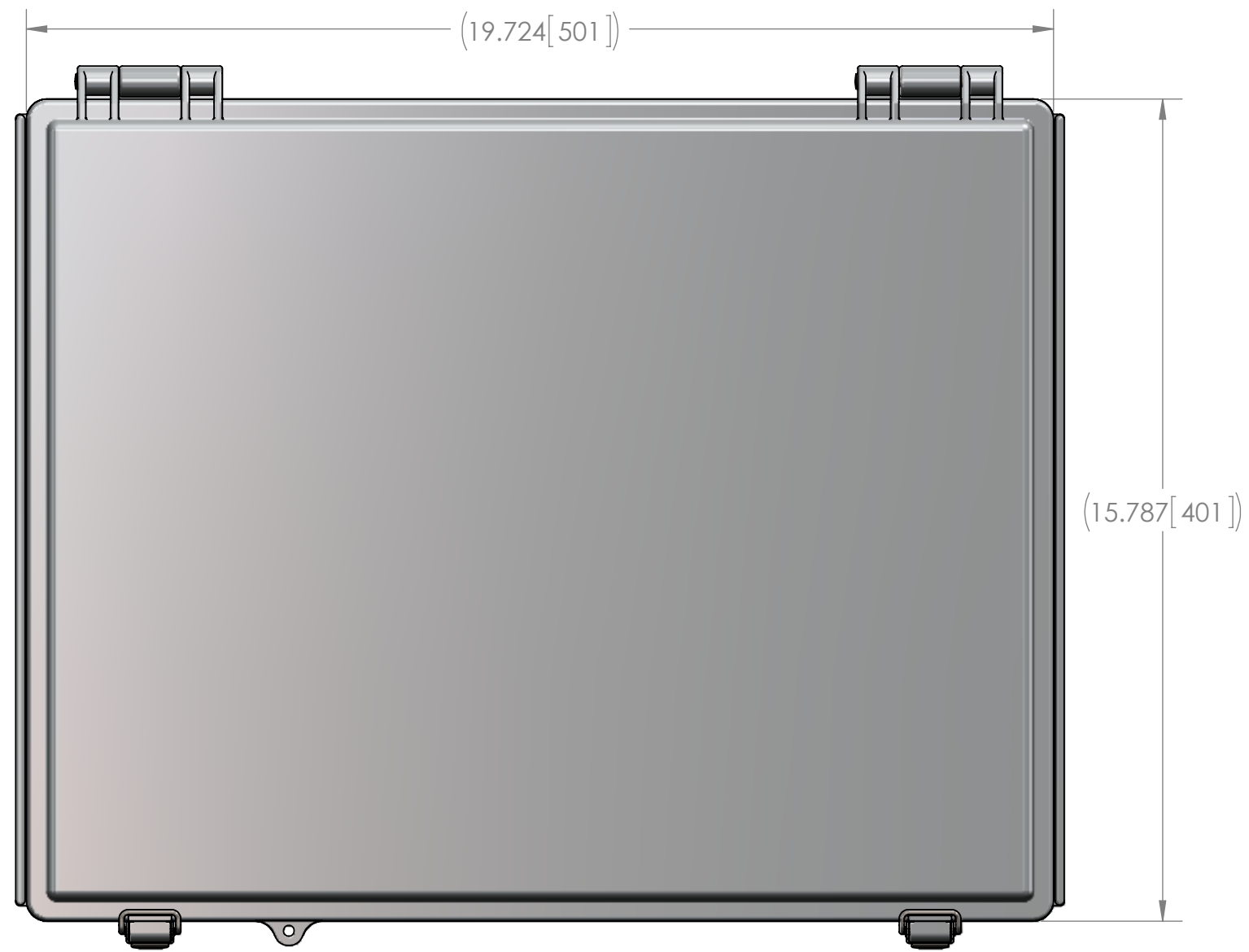
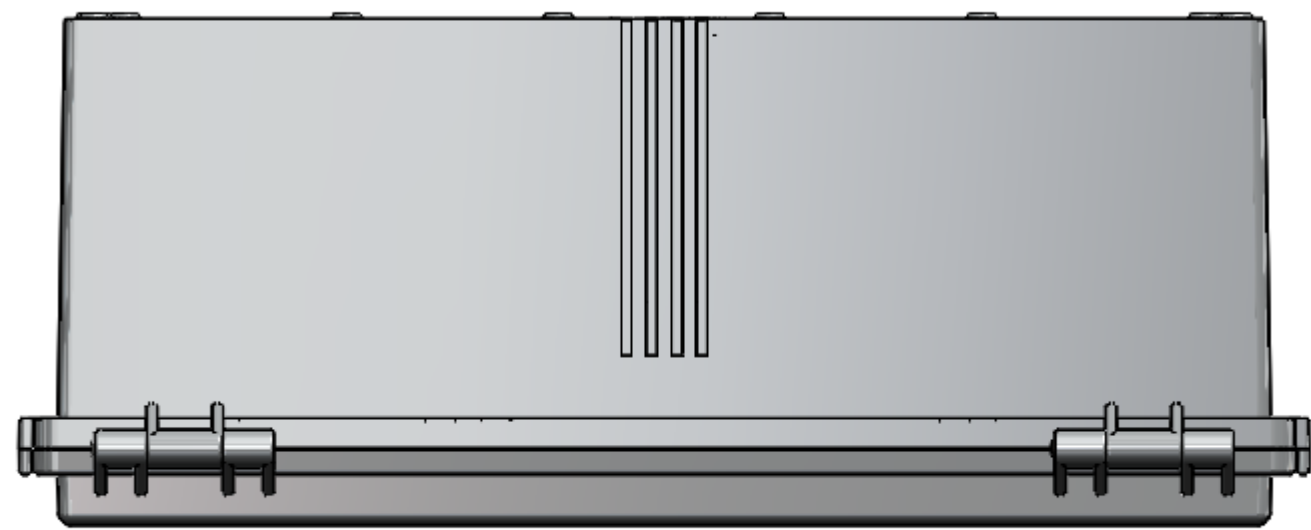
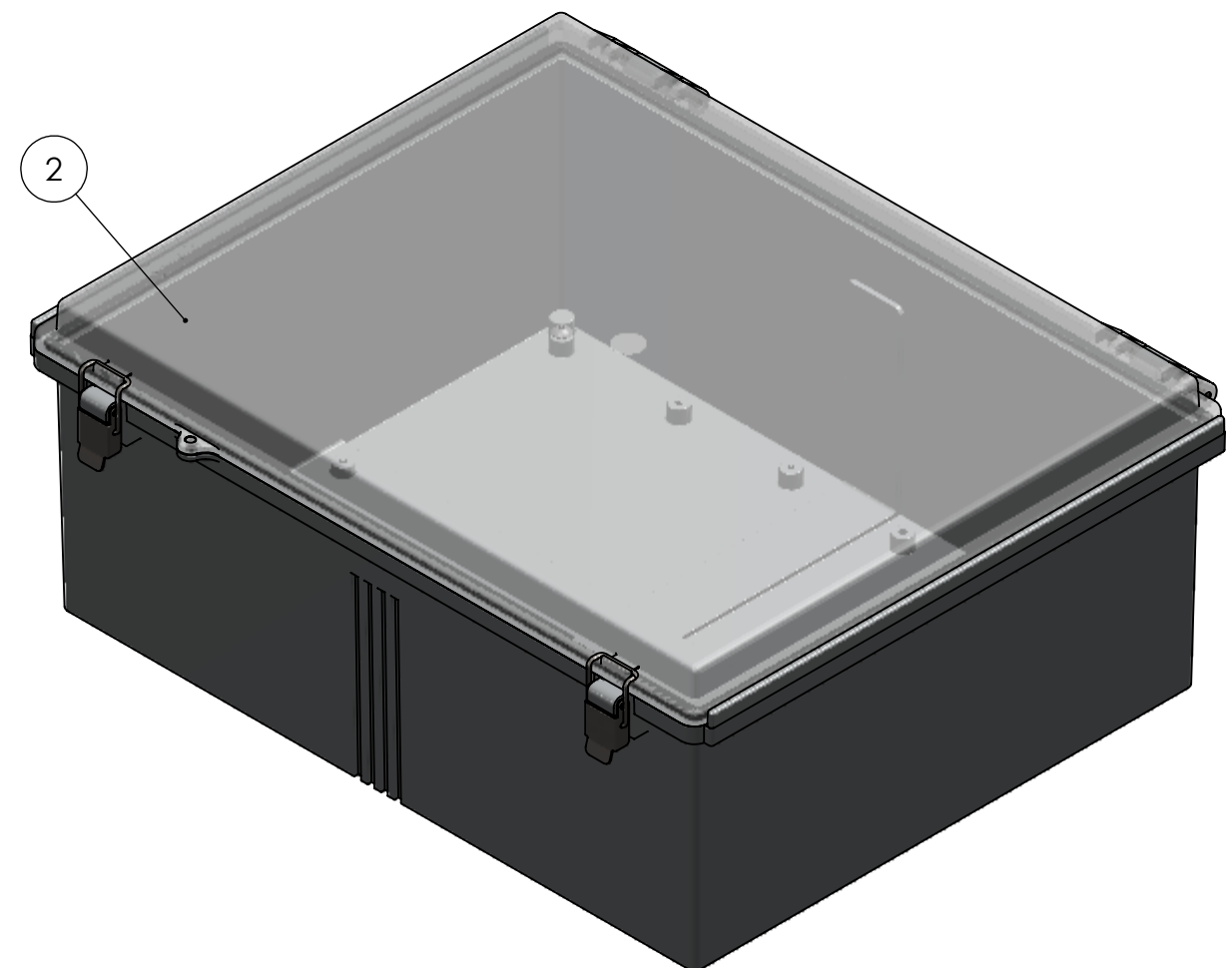


BOM Table					
ITEM NO.	PART NUMBER	Rev.	Description	WQ-76-02/QTY.	WQ-76-03/QTY.
1	WQ-76S-02	-	Hinged Nema Enclosure-Outdoor Use	1	-
2	WQ-76S-03	-	Hinged Nema Enclosure-Outdoor Use	-	1
3	SCREWS-026-004	-	SCREWS, 4 PACK	1	1



**WQ-76-02**

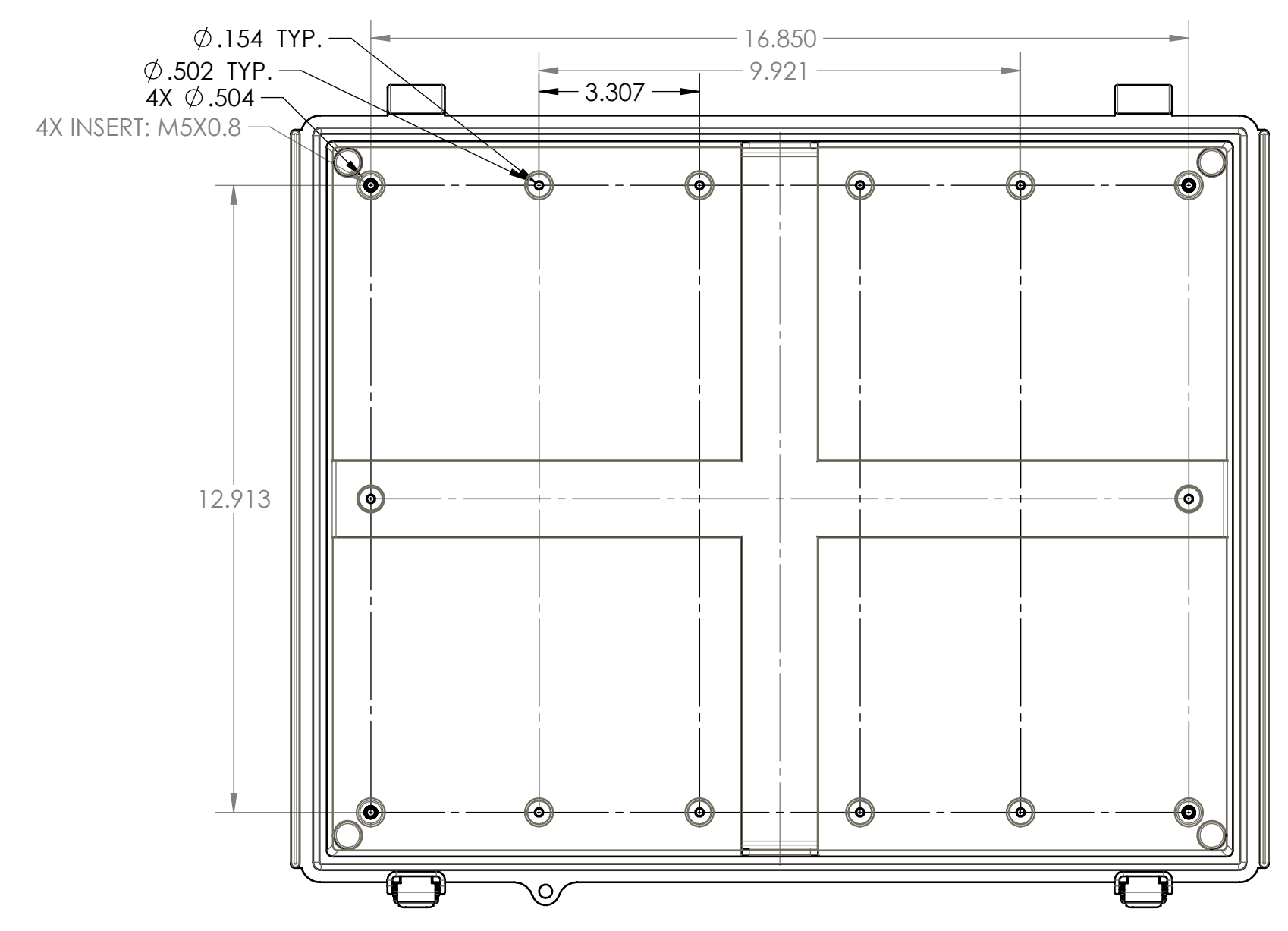
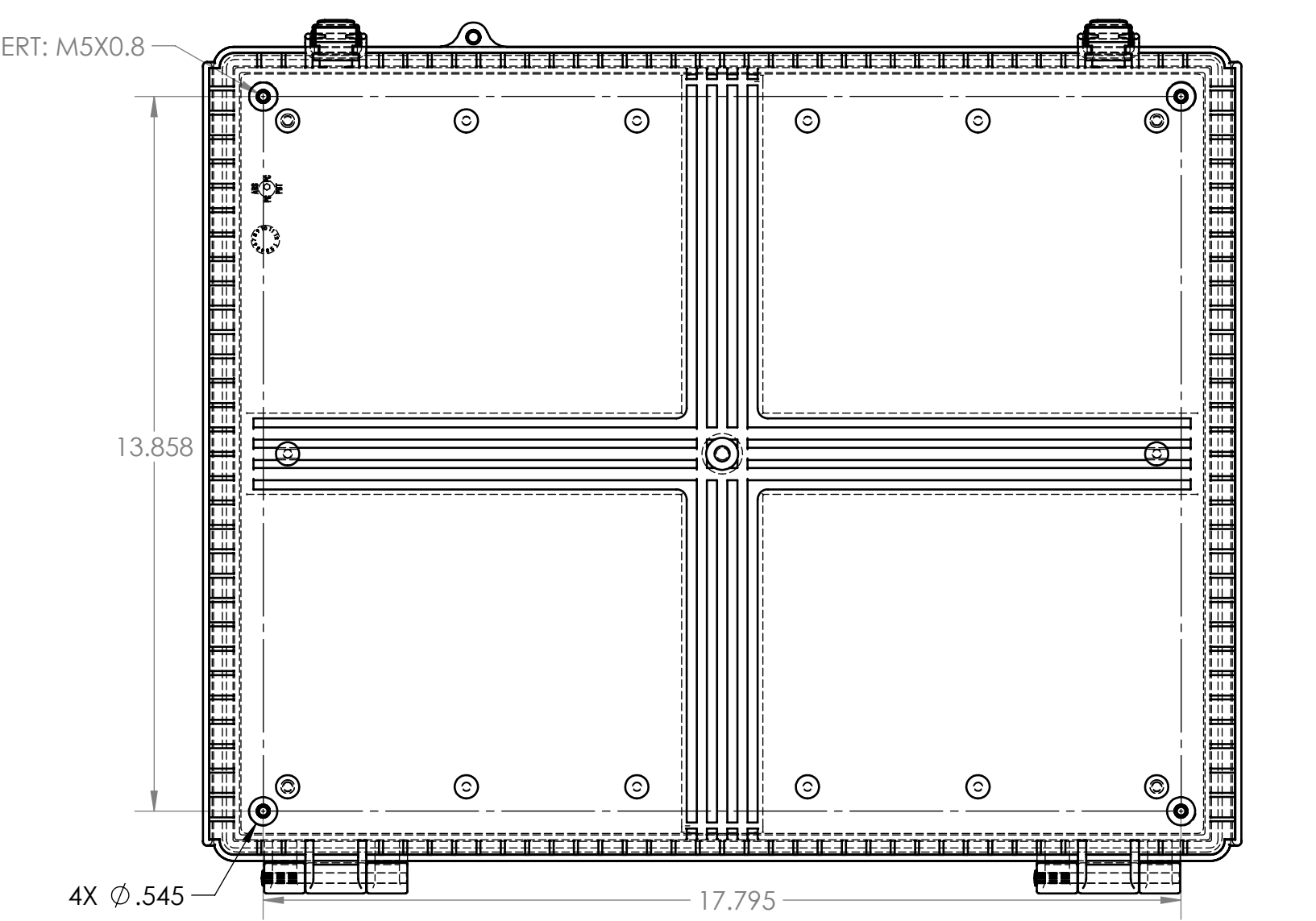
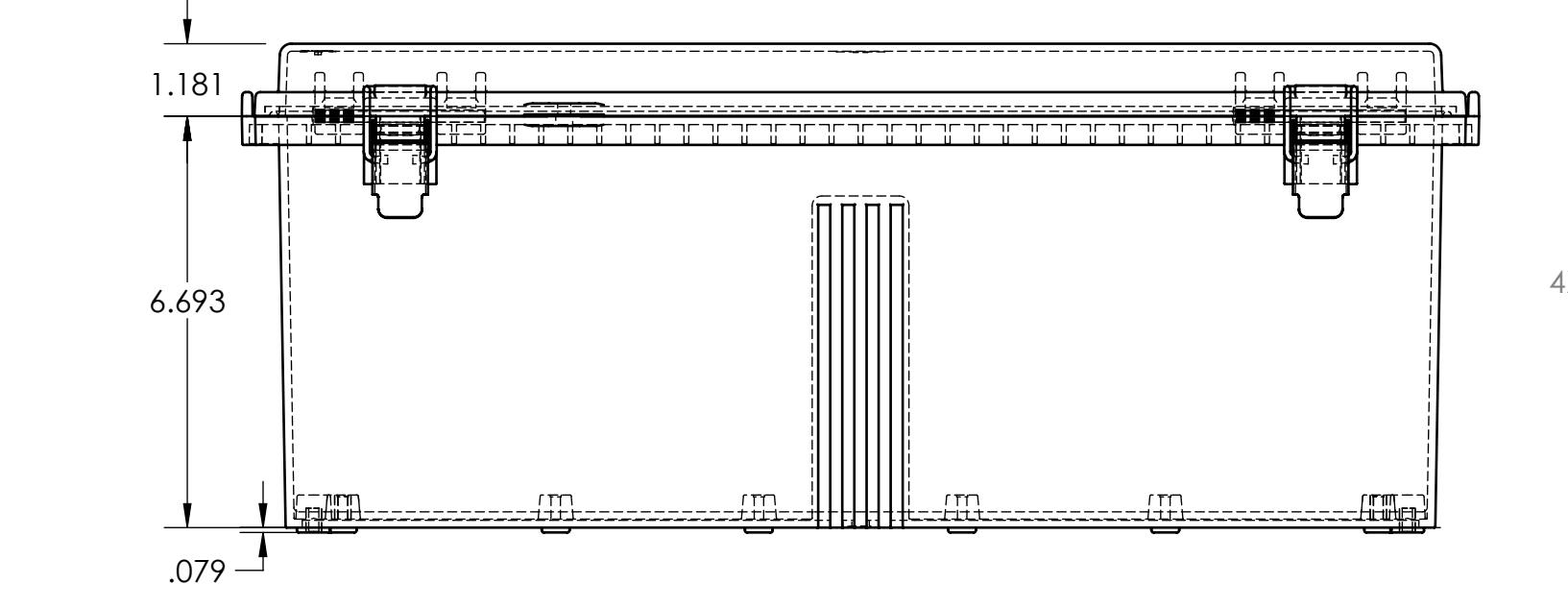
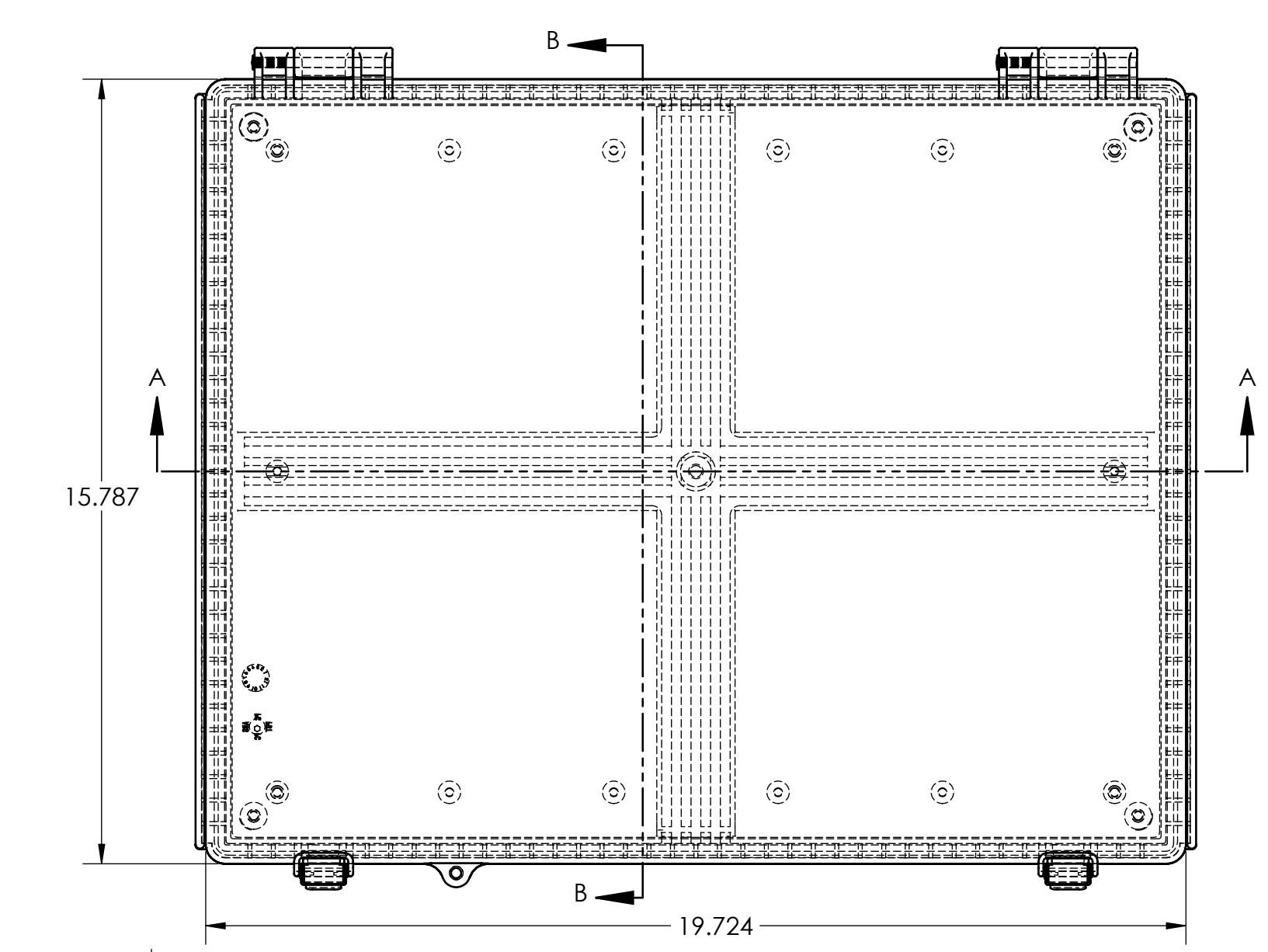
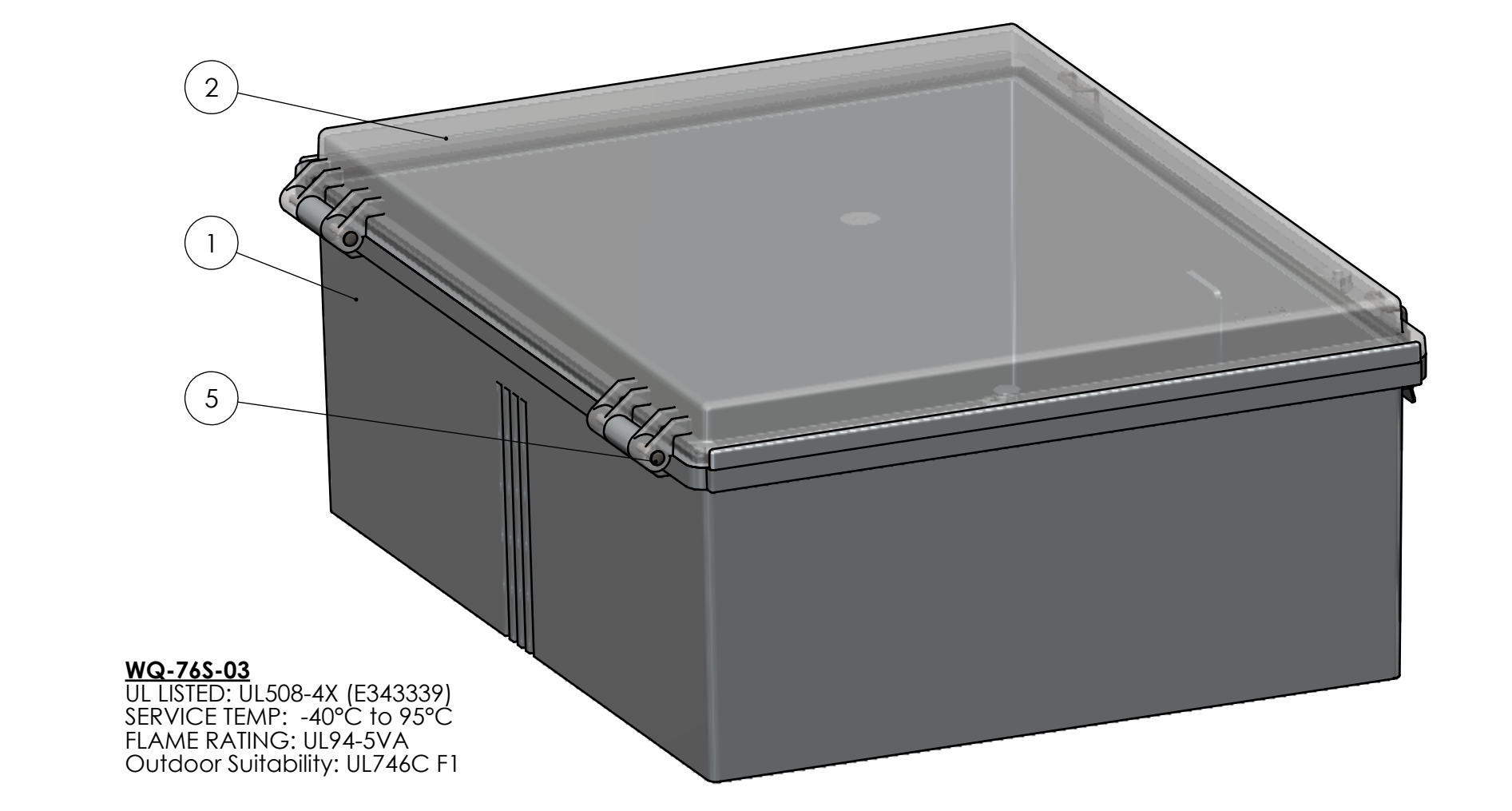
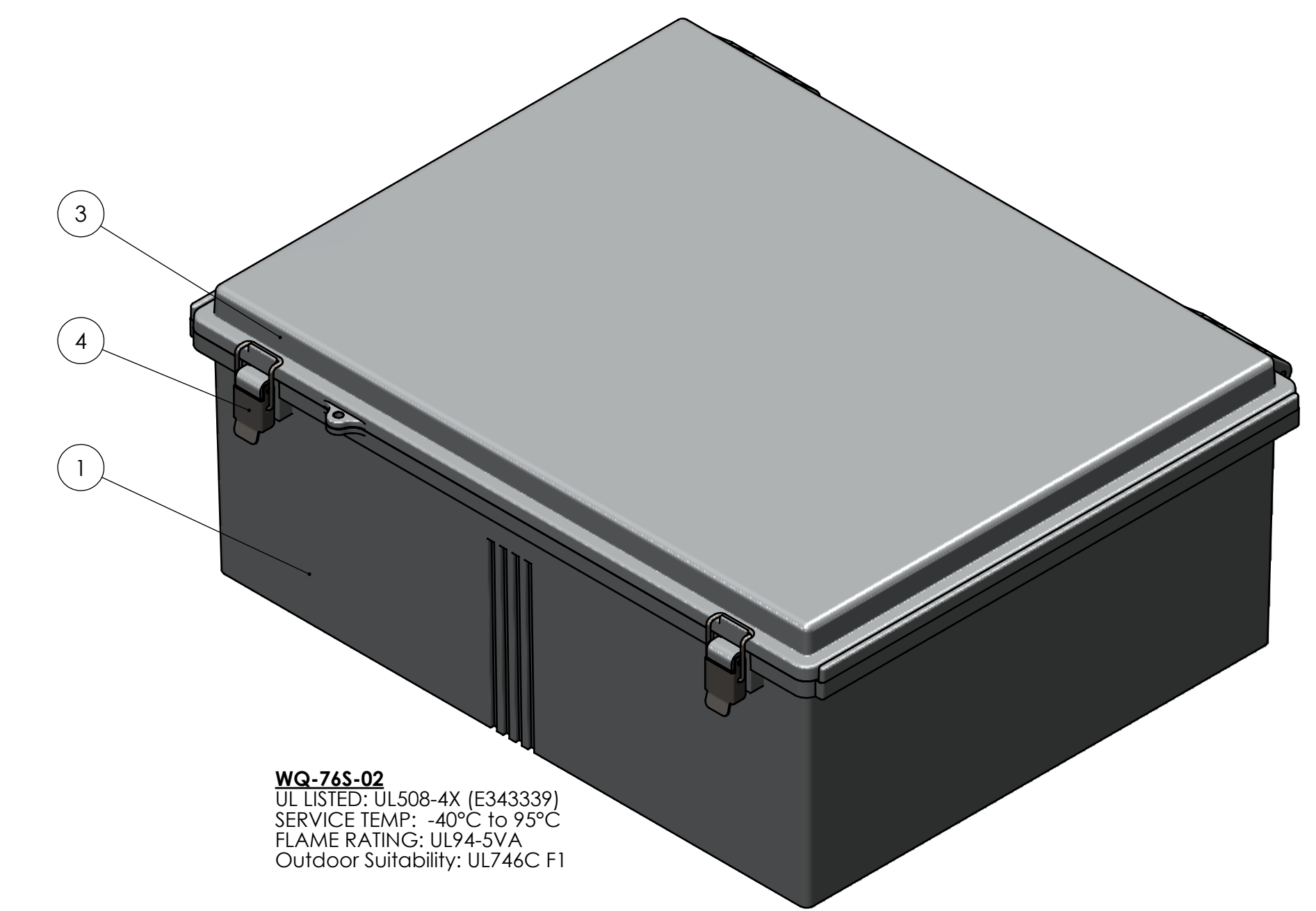
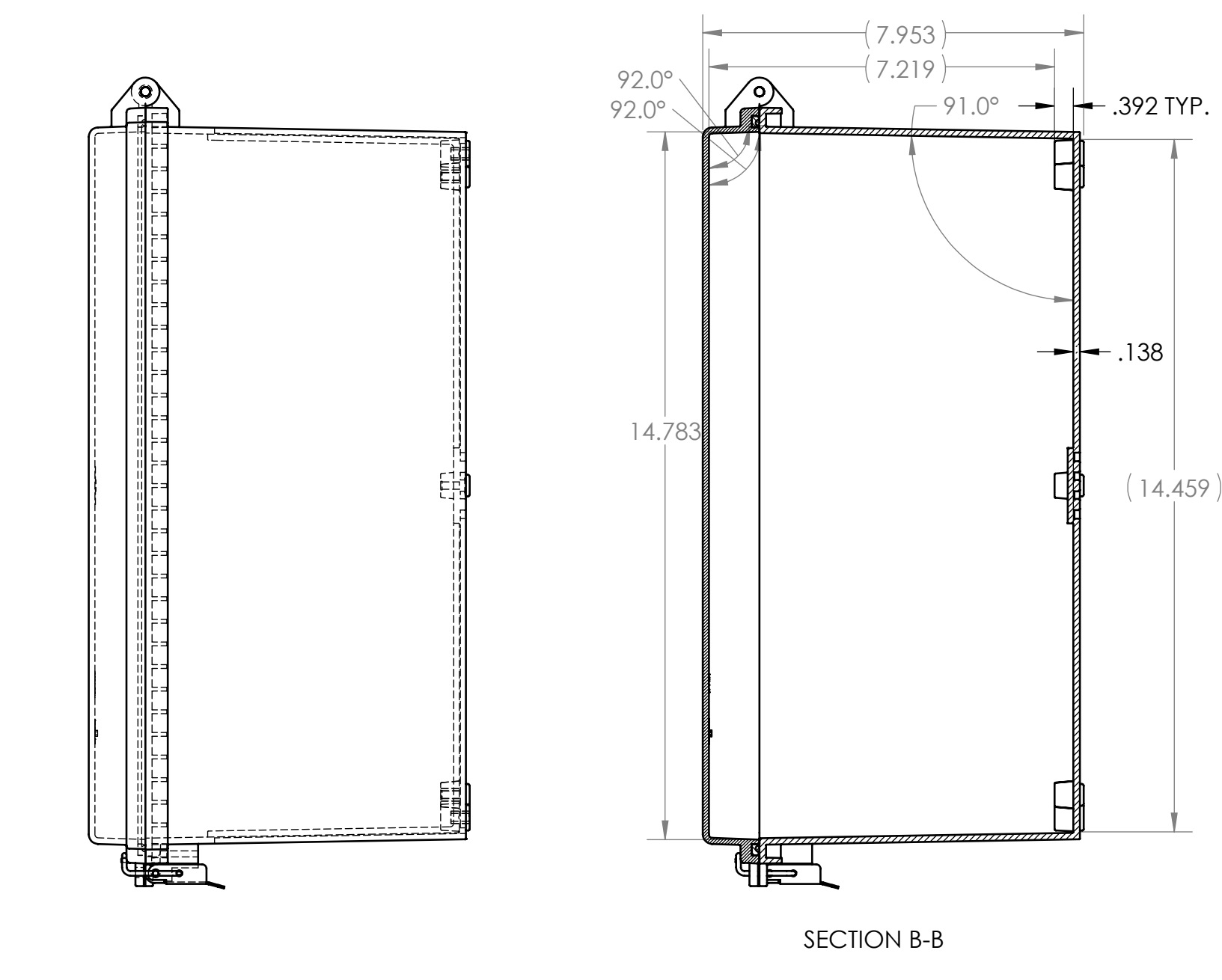
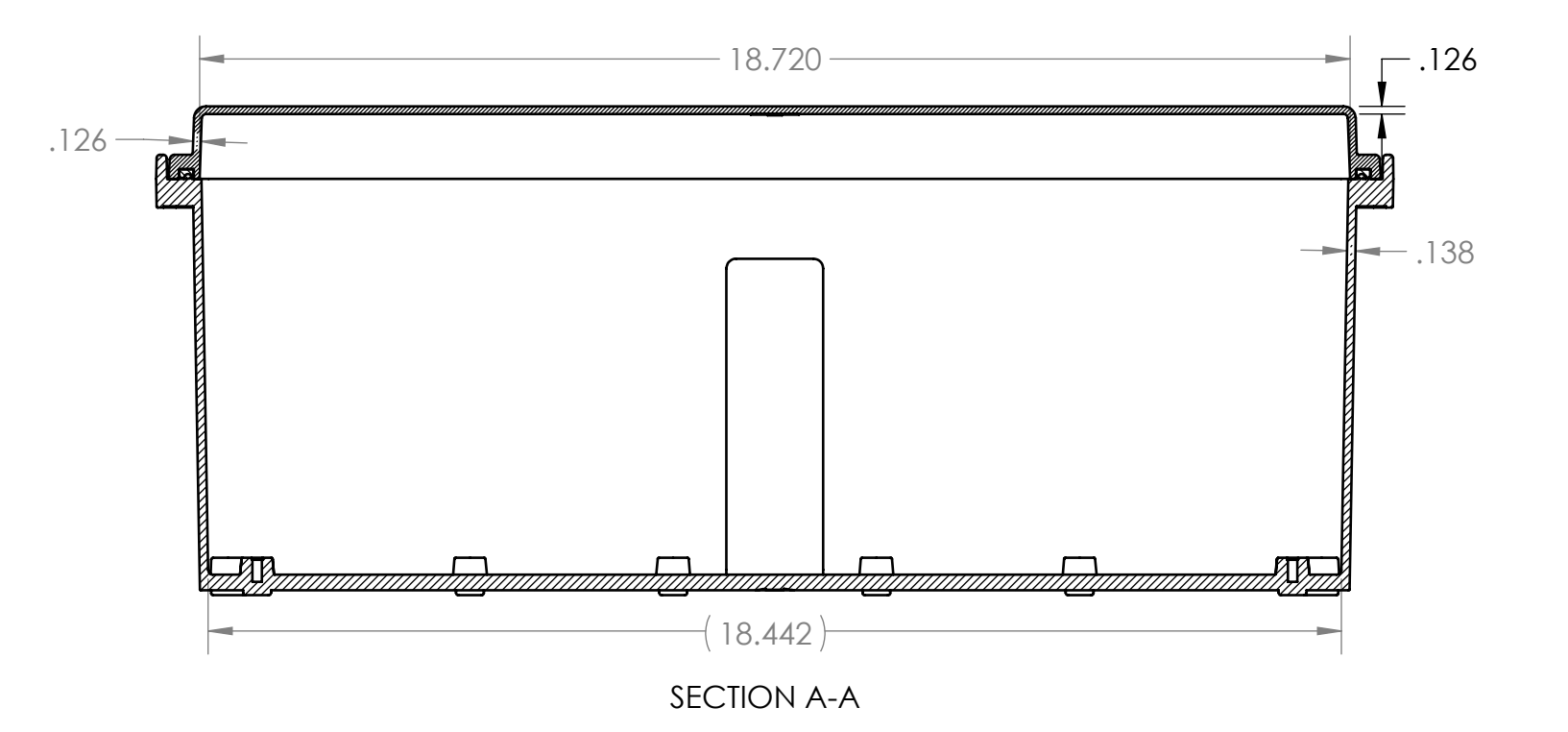


**WQ-76-03**

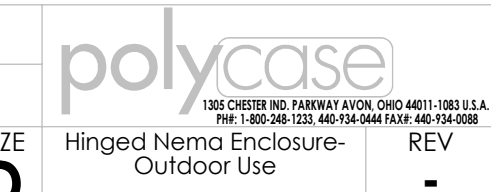
REV.	DESCRIPTION	ZONE	BY	APPR'D	DATE
REVISIONS					

UNLESS OTHERWISE SPECIFIED: DIMENSIONS ARE IN: INCHES[mm] TOLERANCES: ANGULAR: ±2° TWO PLACE DECIMAL: ±.010 THREE PLACE DECIMAL: ±.005 PRINTED GRAPHICS: ±.010		PART NO. <b>WQ-76-02</b>		 <small>1305 CHESTER RD. PARKWAY AVON, OHIO 44011-1083 U.S.A.          PH: 1-800-248-1233, 440-934-0444 FAX: 440-934-0088</small>
PROPRIETARY AND CONFIDENTIAL THE INFORMATION CONTAINED IN THIS DRAWING IS THE SOLE PROPERTY OF POLYCASE. ANY REPRODUCTION IN PART OR AS A WHOLE WITHOUT THE WRITTEN PERMISSION OF POLYCASE IS PROHIBITED. CAD FILE: WQ-76		MATERIAL		
FLAME RATING		SIZE <b>C</b>	NAME D.M.F.	DATE 1/11/2016
DRAWN CHECKED		SCALE: 1:3	C.C.B.	1/29/2016
				REV Hinged Nema Enclosure, Outdoor Use, with Screw Kit
				SHEET 1 OF 1

BOM Table							
ITEM NO.	PART NUMBER	Rev.	Description	Material	Color	WQ-76S-02/QTY.	WQ-76S-03/QTY.
1	WQ-76B-02	-	BASE	GFR10/PC	GRAY	1	1
2	WQ-76C-03	-	COVER W/GASKET	PC	CLEAR	-	1
3	WQ-76C-02	-	COVER W/GASKET	PC	GRAY	1	-
4	WQ-76L-01	-	LATCH ASSEMBLY	-	-	2	2
5	WQ-PIN-03	-	HINGE PIN	SST	-	2	2

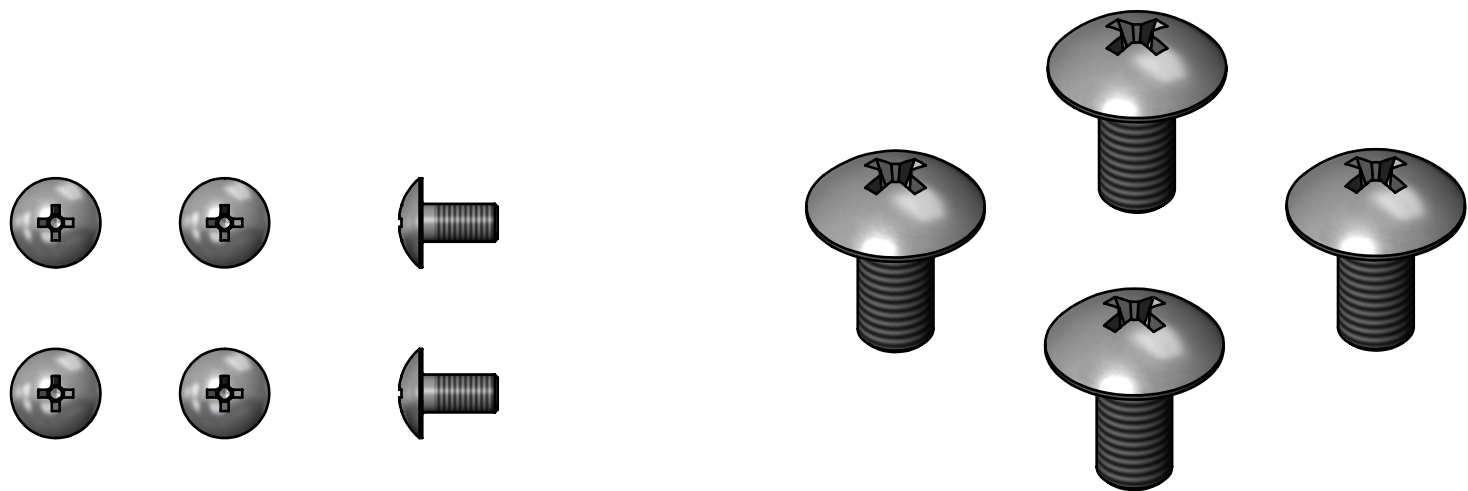


UNLESS OTHERWISE SPECIFIED: DIMENSIONS ARE IN INCHES (TYP) TOLERANCES: ANGULAR: ±.1° TWO PLACE DECIMAL: ±. THREE PLACE DECIMAL: ±. PRINTED GRAPHICS: 1: PROPRIETARY AND CONFIDENTIAL THE INFORMATION CONTAINED IN THIS DRAWING IS THE SOLE PROPERTY OF POLYCASE. ANY REPRODUCTION IN PART OR AS A WHOLE WITHOUT THE WRITTEN PERMISSION OF POLYCASE IS PROHIBITED. CAD FILE: WQ-76L				PART NO. <b>WQ-76S-02</b> MATERIAL		FLAME RATING <b>UL94-5VA</b>		SIZE <b>D</b>		SCALE: 1:3		SHEET 1 OF 1	
REV.	DESCRIPTION	ZONE	BY	APPR'D	DATE	NAME	DATE	CHECKED	D.M.F.	1/11/2016	C.C.B.	1/29/2016	REV
	REVISIONS												





Hinged Nemo Enclosure - Outdoor Use

BOM Table				
ITEM NO.	PART NUMBER	Rev.	Description	QTY.
1	SCREWS-026	-	M5X0.8 x 10mm CROSS TRUSS HEAD SCREW	4



SCALE 2 : 1

UNLESS OTHERWISE SPECIFIED: DIMENSIONS ARE IN: INCHES[mm] TOLERANCES: ANGULAR: ±2° TWO PLACE DECIMAL: ±.010 THREE PLACE DECIMAL: ±.005 PRINTED GRAPHICS: ±.010		PART NO. SCREWS-026-004		 <small>1305 CHESTER IND. PARKWAY AVON, OHIO 44011-1083 U.S.A. PH#: 1-800-248-1233, 440-934-0444 FAX#: 440-934-0088</small>						
PROPRIETARY AND CONFIDENTIAL THE INFORMATION CONTAINED IN THIS DRAWING IS THE SOLE PROPERTY OF POLYCASE. ANY REPRODUCTION IN PART OR AS A WHOLE WITHOUT THE WRITTEN PERMISSION OF POLYCASE IS PROHIBITED. CAD FILE: SCREWS-026-004		MATERIAL								
FLAME RATING		SIZE <b>A</b>	REV -							
REV.	DESCRIPTION	ZONE	BY	APPR'D	DATE	DRAWN D.M.F. 1/11/2016	CHECKED C.C.B. 1/29/2016	SCALE: 1:1		SHEET 1 OF 1

REV.	DESCRIPTION	ZONE	BY	APPR'D	DATE
REVISIONS					

5

4

3

2

1

D  
C  
B  
A