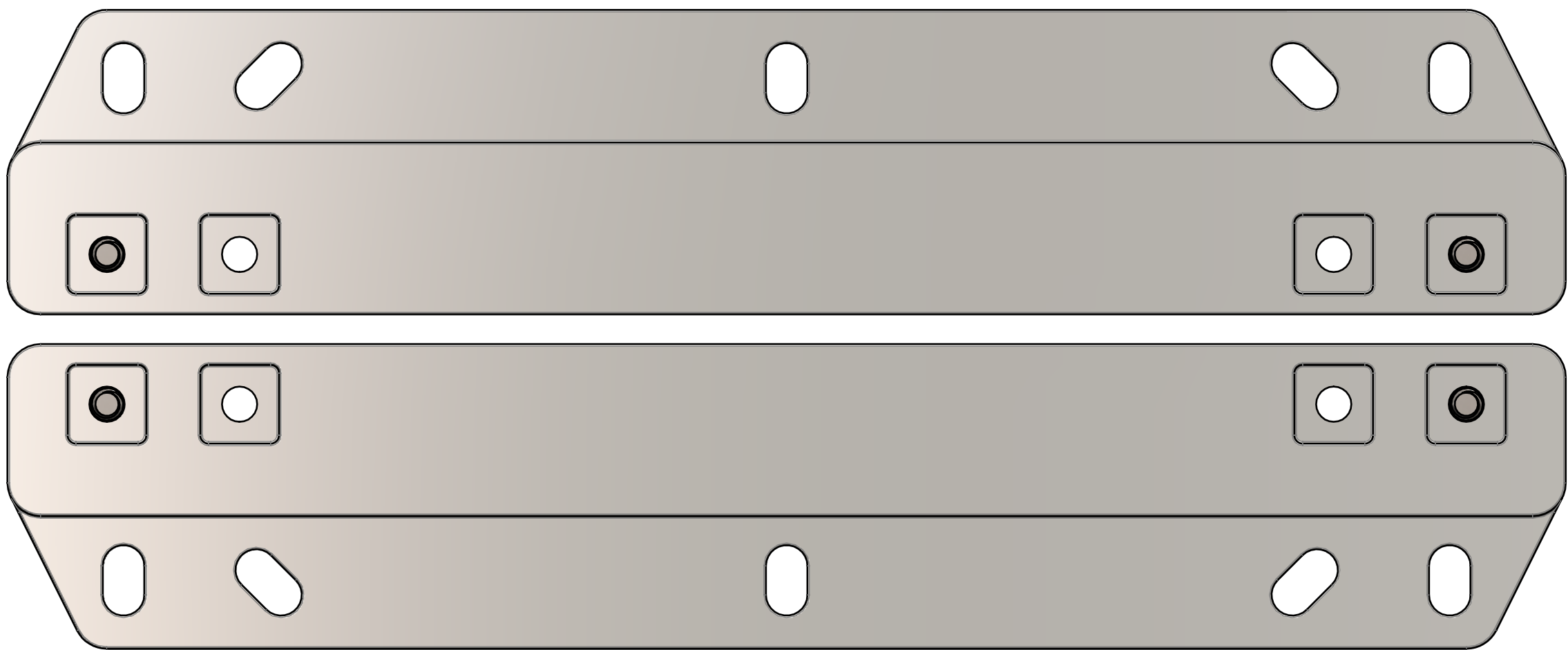
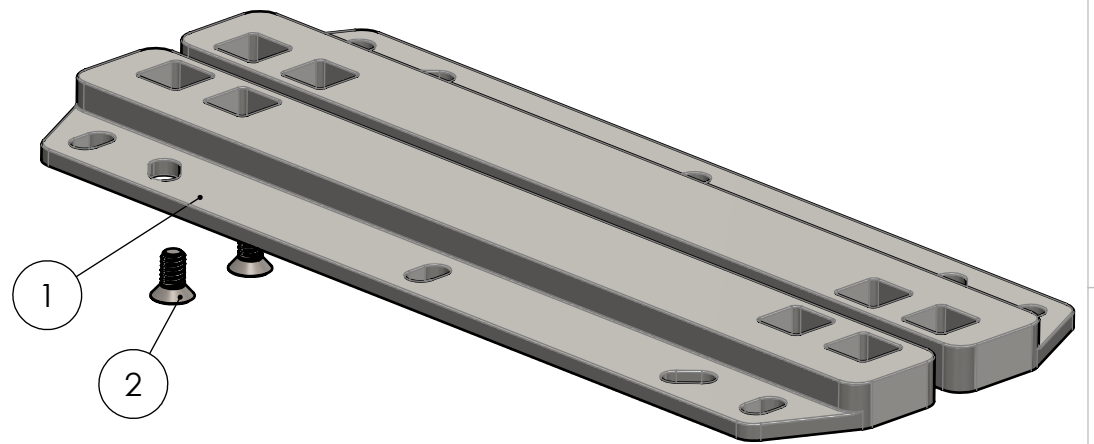




BOM Table							
ITEM NO.	PART NUMBER	Rev.	Description	Material	FlameRating	Color	QTY.
1	YH-12F	-	MOUNTING FLANGE	PC	UL94V-0	LIGHT GRAY	2
2	SCREWS-009	-	1/4-20 X .5, STAINLESS, FLAT HEAD, PHILLIPS DRIVE	SS			4



<small>UNLESS OTHERWISE SPECIFIED: DIMENSIONS ARE IN: INCHES[mm] TOLERANCES: ANGULAR: ±2° TWO PLACE DECIMAL: ±.010 THREE PLACE DECIMAL: ±.005 PRINTED GRAPHICS: ±.010</small>	PART NO. YH-12		 <small>1305 CHESTER IND. PARKWAY AVON, OHIO 44011-1083 U.S.A. PH#: 1-800-248-1233, 440-934-0444 FAX#: 440-934-0088</small>																			
	MATERIAL																					
	FLAME RATING	SIZE B	MOUNTING FLANGE KIT	REV -																		
<table border="1"> <thead> <tr> <th>REV.</th> <th>DESCRIPTION</th> <th>ZONE</th> <th>BY</th> <th>APPR'D</th> <th>DATE</th> </tr> </thead> <tbody> <tr> <td colspan="6" style="text-align: center;">REVISIONS</td> </tr> </tbody> </table>	REV.	DESCRIPTION	ZONE	BY	APPR'D	DATE	REVISIONS						<table border="1"> <thead> <tr> <th>NAME</th> <th>DATE</th> </tr> </thead> <tbody> <tr> <td>D.M.F.</td> <td>12/20/2013</td> </tr> <tr> <td>B.M.B.</td> <td>1/8/2014</td> </tr> </tbody> </table>	NAME	DATE	D.M.F.	12/20/2013	B.M.B.	1/8/2014	SCALE: 1:1		SHEET 1 OF 1
REV.	DESCRIPTION	ZONE	BY	APPR'D	DATE																	
REVISIONS																						
NAME	DATE																					
D.M.F.	12/20/2013																					
B.M.B.	1/8/2014																					

