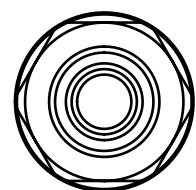
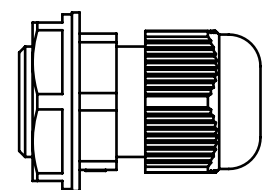


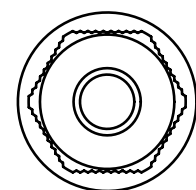
8 7 6 5 4 3 2 1



SCALE 1 : 1

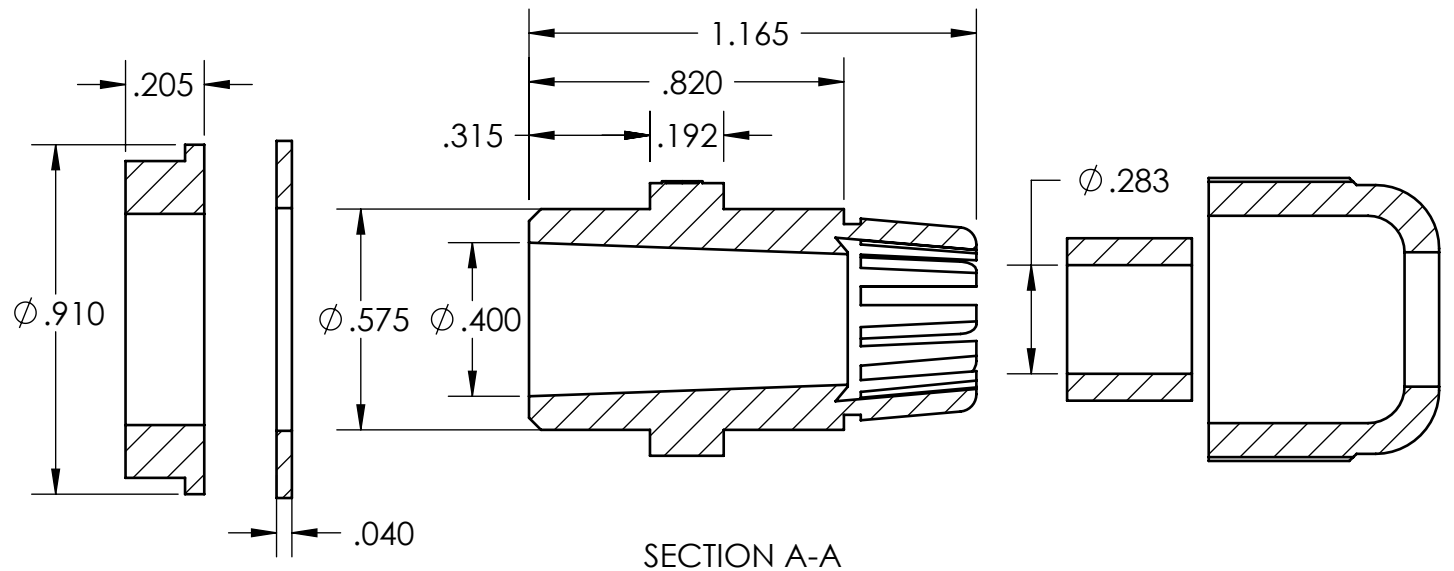
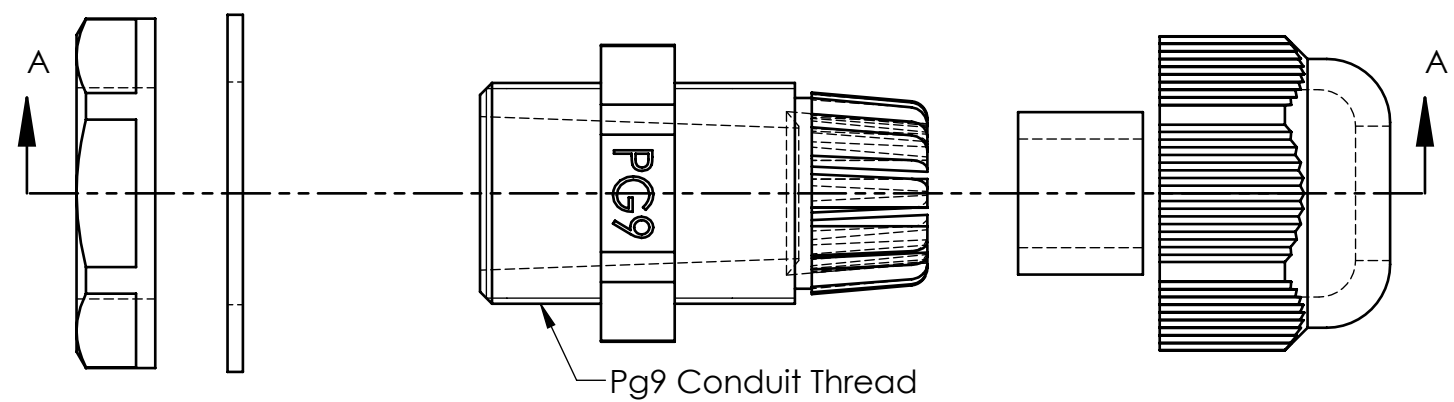


SCALE 1 : 1



SCALE 1 : 1

BOM Table					
ITEM NO.	PART NUMBER	Description	Material	Color	QTY.
1	CG-12-BODY	BODY	NYLON 6-6	BLACK	1
2	CG-12-CABLE_SEAL	CABLE SEAL	NBR RUBBER	BLACK	1
3	CG-12-GASKET	GASKET	NBR RUBBER	BLACK	1
4	CG-12-CABLE_NUT	CABLE NUT	NYLON 6-6	BLACK	1
5	CG-12-NUT	NUT	NYLON 6-6	BLACK	1



- NOTES:
 1. CABLE RANGE: ϕ .158- ϕ .252
 2. MOUNTING HOLE: ϕ .610
 3. SERVICE TEMPERATURE: -40°C TO 100°C

UNLESS OTHERWISE SPECIFIED: DIMENSIONS ARE IN: INCHES[mm] TOLERANCES: ANGULAR: \pm ° TWO PLACE DECIMAL: \pm THREE PLACE DECIMAL: \pm PRINTED GRAPHICS: \pm	PART NO. CG-12		 <small>1305 CHESTER IND. PARKWAY AVON, OHIO 44011-1083 U.S.A. PH#: 1-800-248-1233, 440-934-0444 FAX#: 440-934-0088</small>	
	MATERIAL			
PROPRIETARY AND CONFIDENTIAL THE INFORMATION CONTAINED IN THIS DRAWING IS THE SOLE PROPERTY OF POLYCASE. ANY REPRODUCTION IN PART OR AS A WHOLE WITHOUT THE WRITTEN PERMISSION OF POLYCASE IS PROHIBITED. CAD FILE: CG-12	FLAME RATING UL94V-2	SIZE B	CABLE GLAND	
	DRAWN C.C.B.	NAME D.M.F.	DATE 12/7/2011	REV -
	CHECKED	C.C.B.	8/2/2012	SCALE: 2:1

REV.	DESCRIPTION	ZONE	BY	APPR'D	DATE
REVISIONS					

8 7 6 5 4 3 2 1