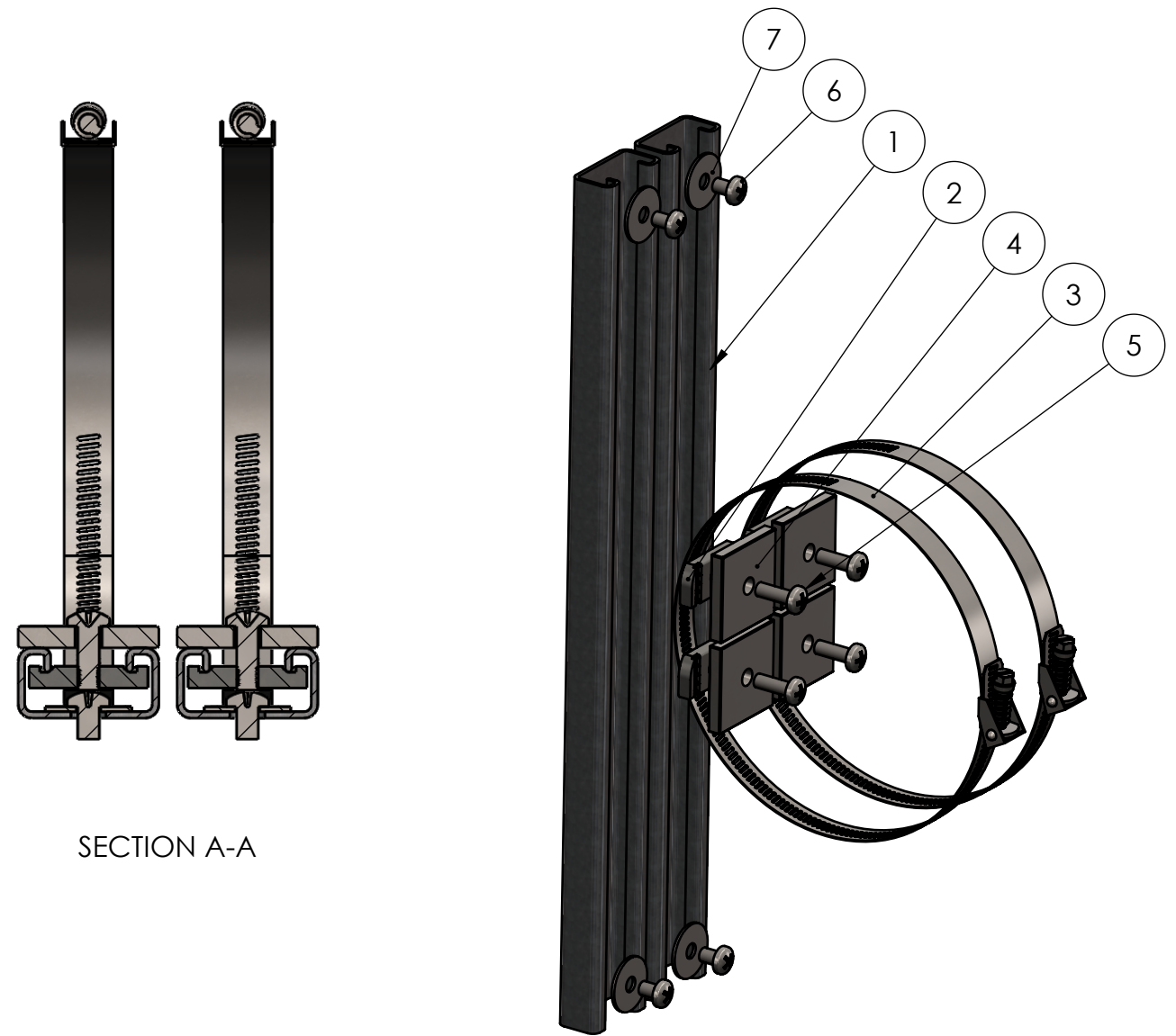
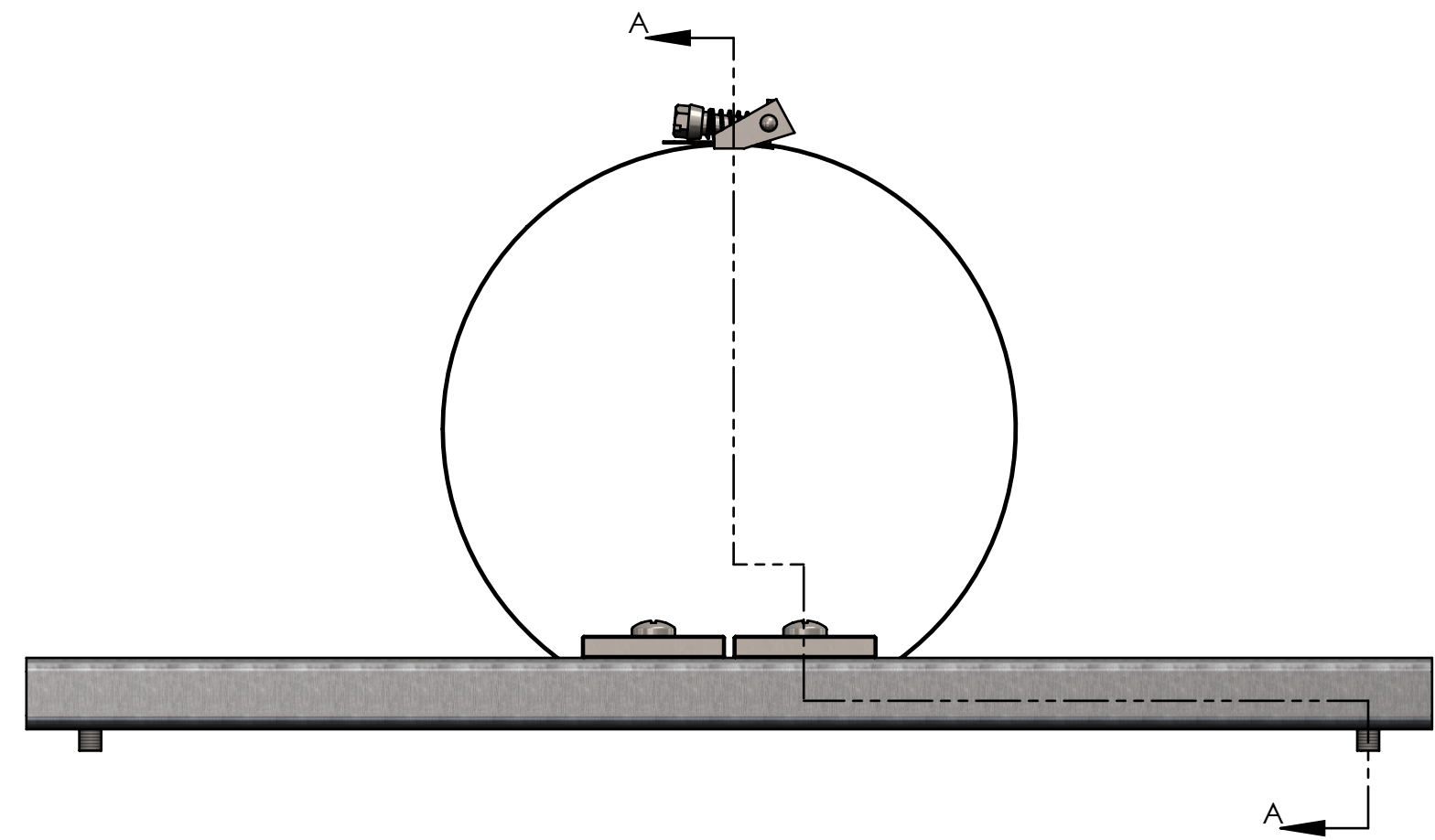


8 7 6 5 4 3 2 1

BOM Table					
ITEM NO.	PART NUMBER	Rev.	Description	Material	QTY.
1	SC-160		Strut Channel P4100SLPG	PRE-GALV STEEL	2
2	SN-001		Strut Channel NUT 1/4-20	316 SST	4
3	CL-01		Hose Clamp, 2" to 12.25" ID, 35 in.-lbs. Max Torque	201 SST, ZINC SCREW	2
4	SW-001		Strut Channel Washer 1/4	304 SST	4
5	SCREWS-031		CR PHMS 0.25-20x0.75	SST	4
6	SCREWS-029		CR PHMS 0.25-20x0.375	SST	4
7	W-001		WASHER 0.25 X 1.00 X .05	SST	4

D
C
B
A

D
C
B
A



SECTION A-A

REV.	DESCRIPTION	ZONE	BY	APPR'D	DATE
	REVISIONS				

UNLESS OTHERWISE SPECIFIED:
 DIMENSIONS ARE IN: INCHES [mm]
 TOLERANCES: ANGULAR: ±2°
 TWO PLACE DECIMAL: ±.010
 THREE PLACE DECIMAL: ±.005
 PRINTED GRAPHICS: ±.010

PROPRIETARY AND CONFIDENTIAL
 THE INFORMATION CONTAINED IN THIS
 DRAWING IS THE SOLE PROPERTY OF
 POLYCASE. ANY REPRODUCTION IN PART
 OR AS A WHOLE WITHOUT THE WRITTEN
 PERMISSION OF POLYCASE IS PROHIBITED.
 CAD FILE: PK-160

PART NO. PK-160		MATERIAL	
FLAME RATING		SIZE B	POLE MOUNT KIT
DRAWN	NAME D.M.F.	DATE 5/19/2016	REV -
CHECKED	NAME B.M.B.	DATE 6/14/2016	SCALE: 1:2

polycase
 1305 CHESTER IND. PARKWAY AVON, OHIO 44011-1083 U.S.A.
 PH#: 1-800-248-1233, 440-934-0444 FAX#: 440-934-0088

⊕

SHEET 1 OF 1

8 7 6 5 4 3 2 1