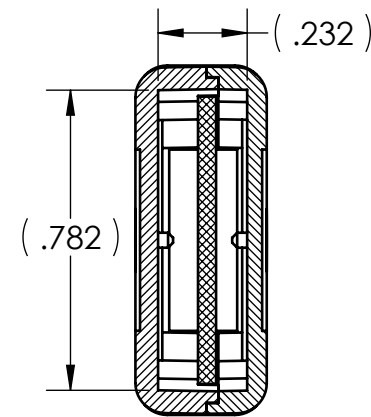
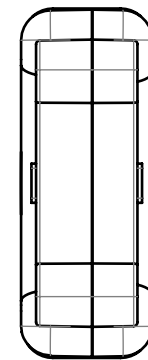
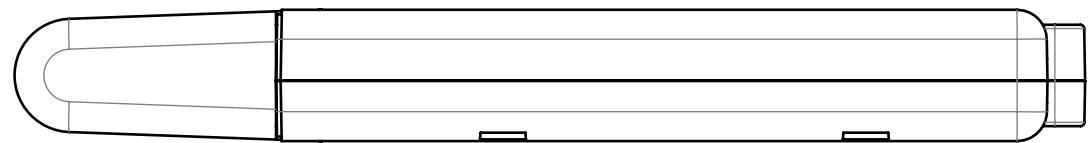
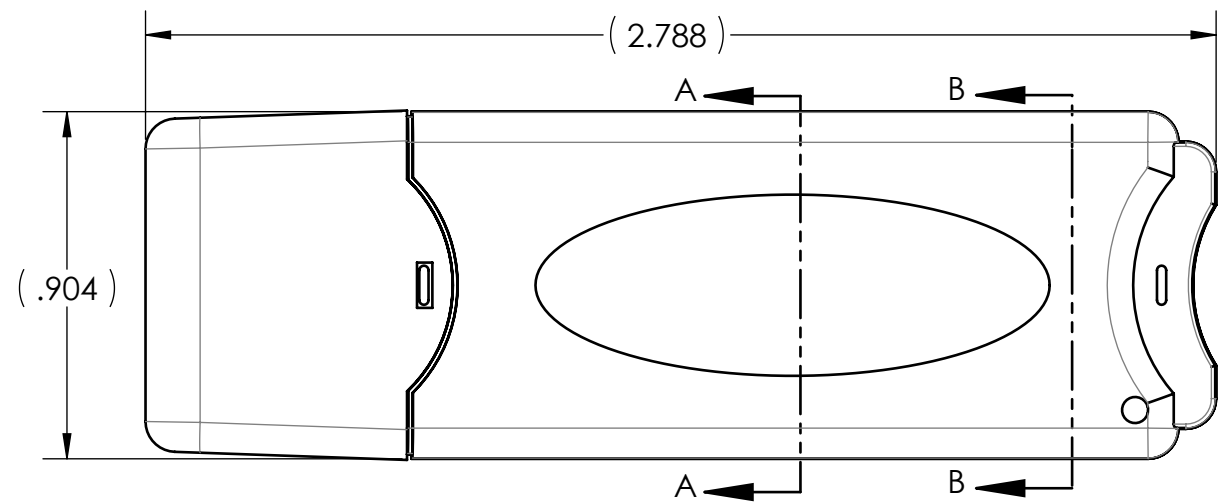
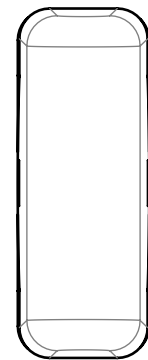
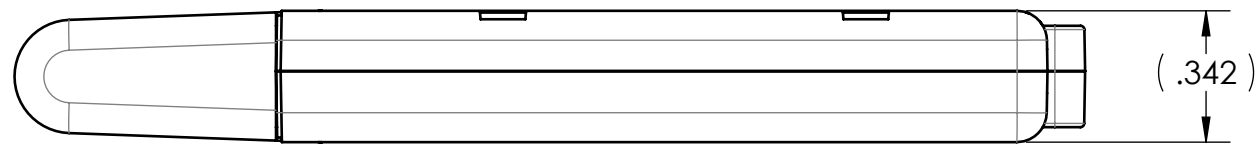
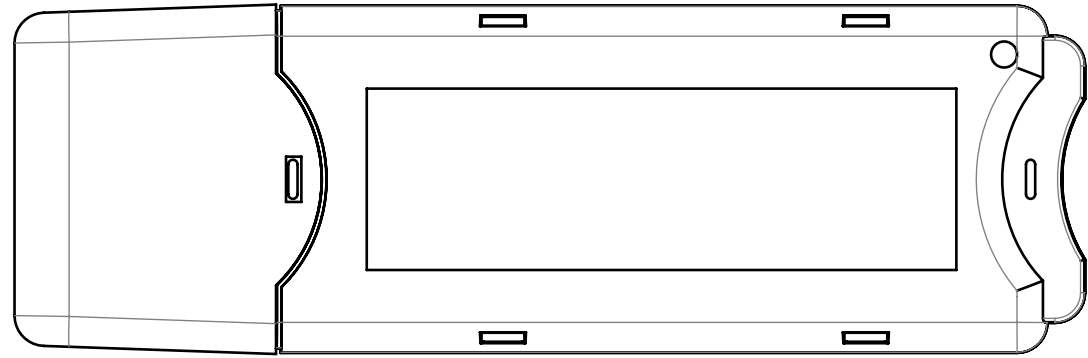
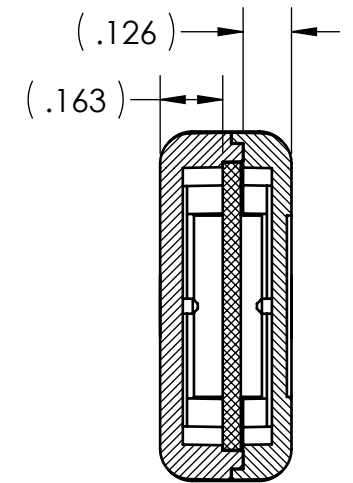


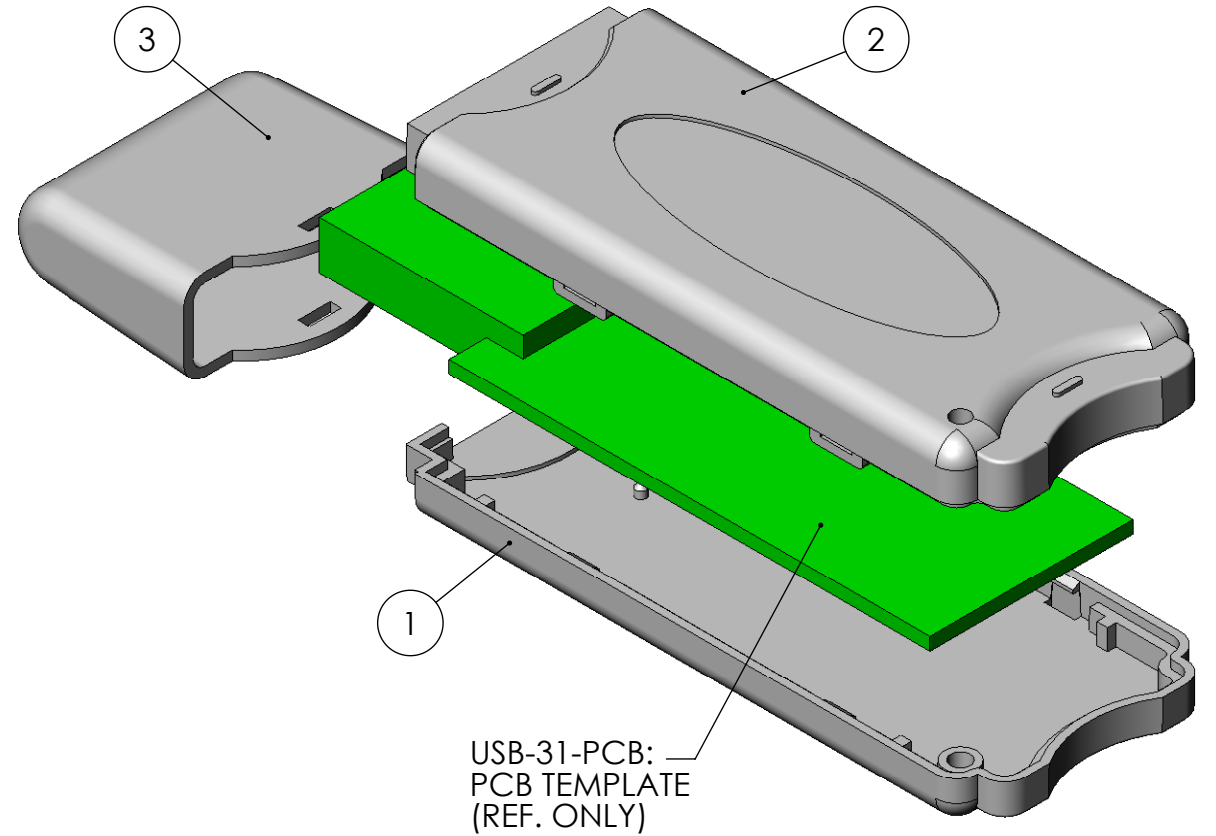
ITEM NO.	PART NUMBER	DESCRIPTION	Material	USB-31*15/QTY.	USB-31*08/QTY.
1	USB-31B*15	USB-SERIES BASE, LIGHT GRAY	ABS	1	-
1	USB-31B*08	USB-SERIES BASE, CLEAR	PC	-	1
2	USB-31C*15	USB-SERIES COVER, LIGHT GRAY	ABS	1	-
2	USB-31C*08	USB-SERIES COVER, CLEAR	PC	-	1
3	USB-31EC*15	USB-SERIES END CAP, LIGHT GRAY	ABS	1	-
3	USB-31EC*08	USB-SERIES END CAP, CLEAR	PC	-	1



SECTION A-A



SECTION B-B



NOTES:
 1. FLAME RATING:
 1. USB-31*15 (ABS) UL94-HB
 2. USB-31*08 (PC) UL94V-0

REV.	DESCRIPTION	ZONE	BY	APPR'D	DATE
REVISIONS					

UNLESS OTHERWISE SPECIFIED:
 DIMENSIONS ARE IN: INCHES[mm]
 TOLERANCES: ANGULAR: ±2°
 TWO PLACE DECIMAL: ±.030
 THREE PLACE DECIMAL: ±.015
 PRINTED GRAPHICS: ±.010

PROPRIETARY AND CONFIDENTIAL
 THE INFORMATION CONTAINED IN THIS
 DRAWING IS THE SOLE PROPERTY OF
 POLYCASE. ANY REPRODUCTION IN PART
 OR AS A WHOLE WITHOUT THE WRITTEN
 PERMISSION OF POLYCASE IS PROHIBITED.
 CAD FILE: USB-31

PART NO.
 USB-31

PRODUCT

CLIENT

DRAWN	NAME	DATE
CHECKED	B.M.B.	6/10/2010

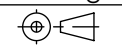


SIZE
B

TITLE:
 Secondary Operations
 Drawing

REV
 -

SCALE: 2:1

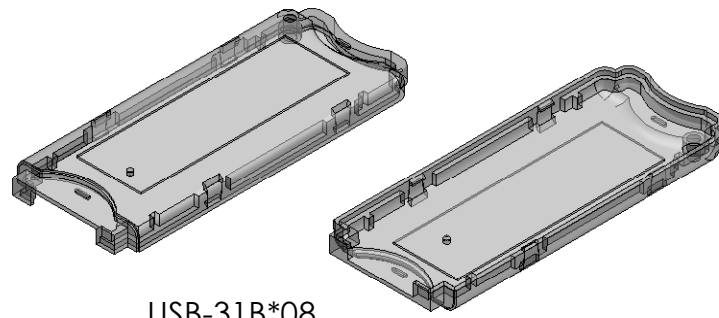


SHEET 1 OF 1

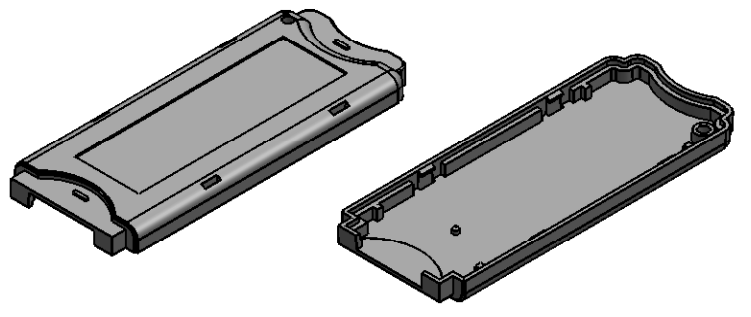
8 7 6 5 4 3 2 1

D
C
B
A

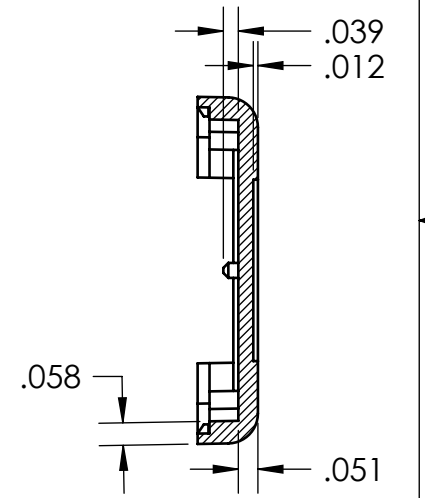
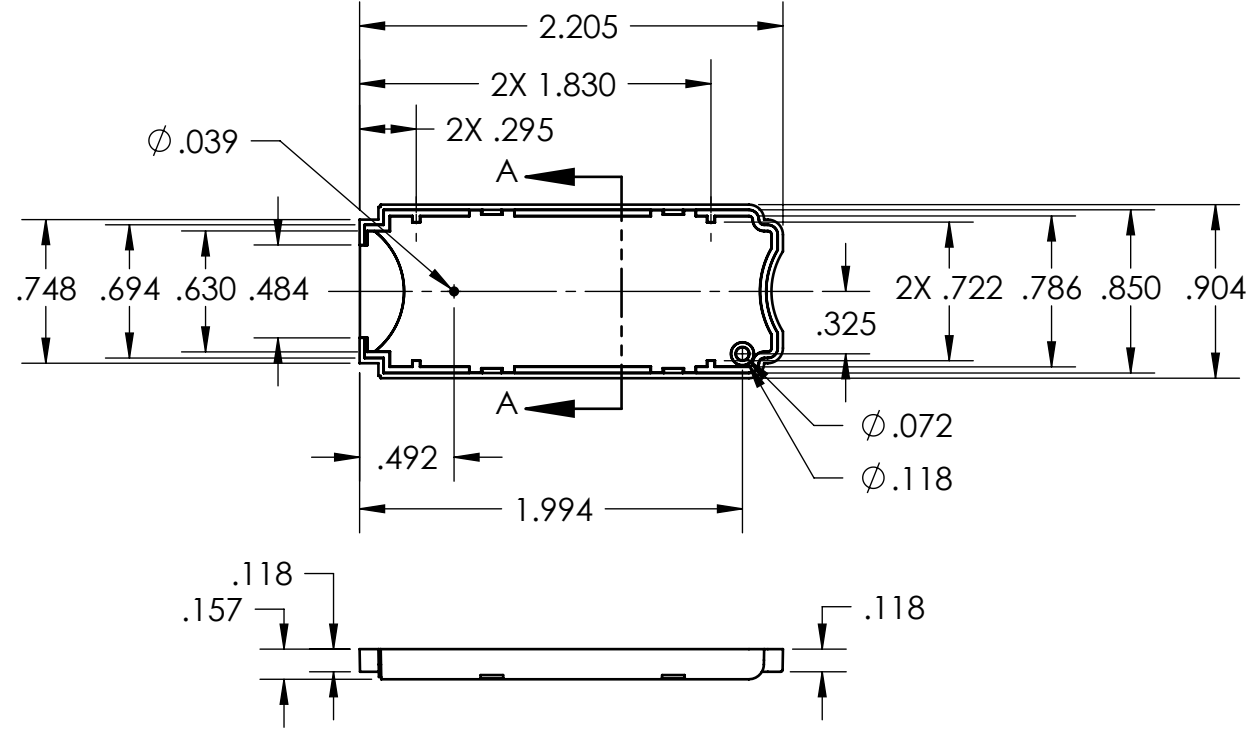
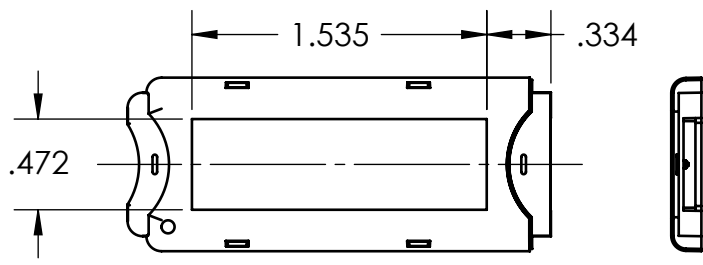
D
C
B
A



USB-31B*08
USB-SERIES BASE, CLEAR
MATERIAL: PC



USB-31B*15
USB-SERIES BASE, LIGHT GRAY
MATERIAL: ABS



SECTION A-A
SCALE 2 : 1

UNLESS OTHERWISE SPECIFIED:
DIMENSIONS ARE IN: INCHES [mm]
TOLERANCES: ANGULAR: ±2°
TWO PLACE DECIMAL: ±.030
THREE PLACE DECIMAL: ±.015
PRINTED GRAPHICS: ±.010

PROPRIETARY AND CONFIDENTIAL
THE INFORMATION CONTAINED IN THIS
DRAWING IS THE SOLE PROPERTY OF
POLYCASE. ANY REPRODUCTION IN PART
OR AS A WHOLE WITHOUT THE WRITTEN
PERMISSION OF POLYCASE IS PROHIBITED.
CAD FILE: USB-31B

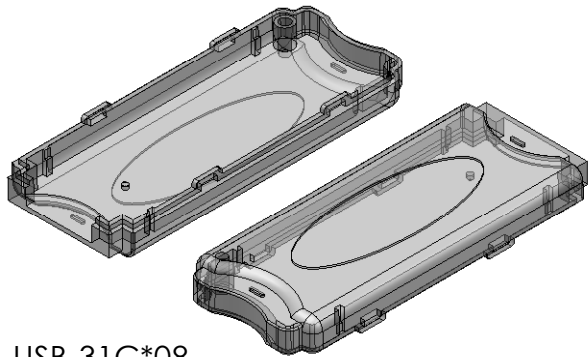
PART NO. USB-31B		
PRODUCT -		
CLIENT -		
DRAWN	NAME	DATE
CHECKED	B.M.B.	2/25/2010

POLYCASE™
YOUR PERFECT FIT
1305 CHESTER IND. PARKWAY AVON, OHIO 44011-1083 U.S.A.
PH#: 1-800-248-1233, 440-934-0444 FAX#: 440-934-0088

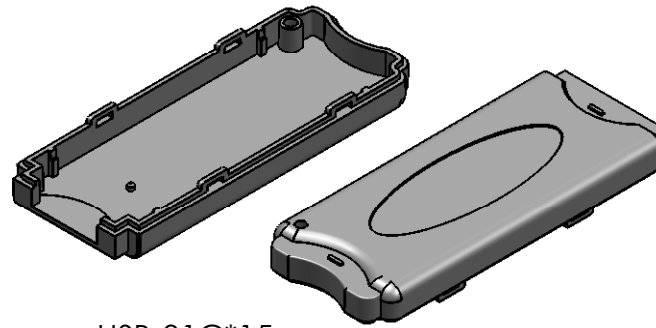
SIZE B	TITLE: Secondary Operations Drawing	REV -
SCALE: 1:1	SHEET 1 OF 1	

REV.	DESCRIPTION	ZONE	BY	APPR'D	DATE
REVISIONS					

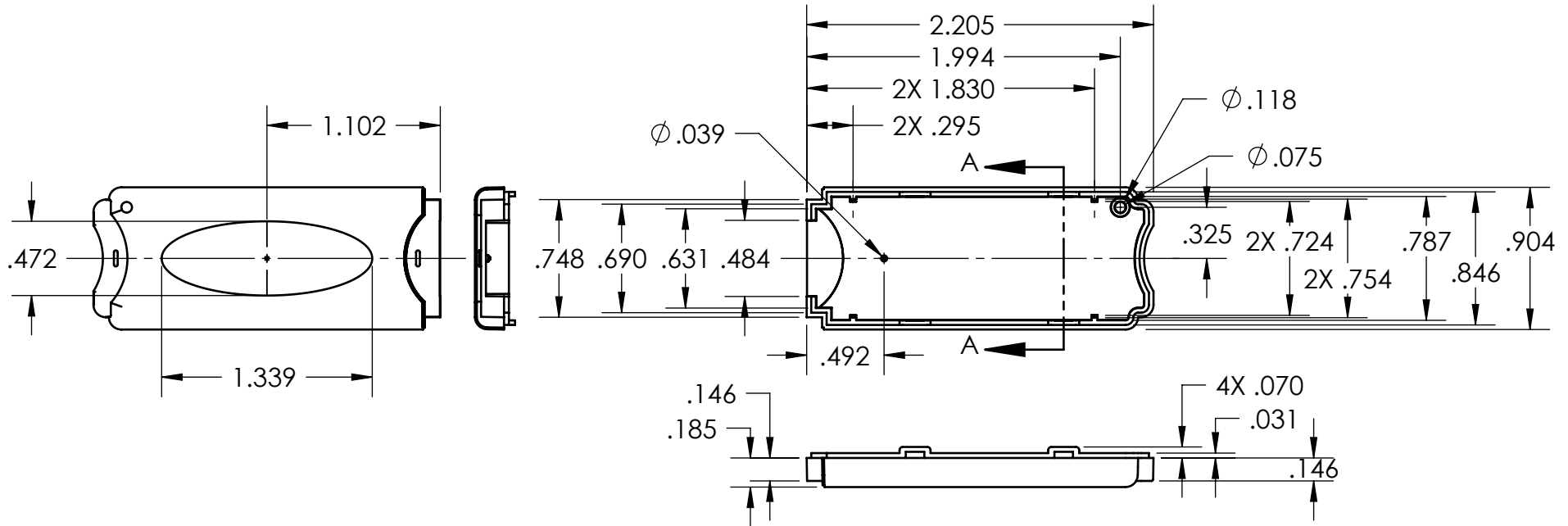
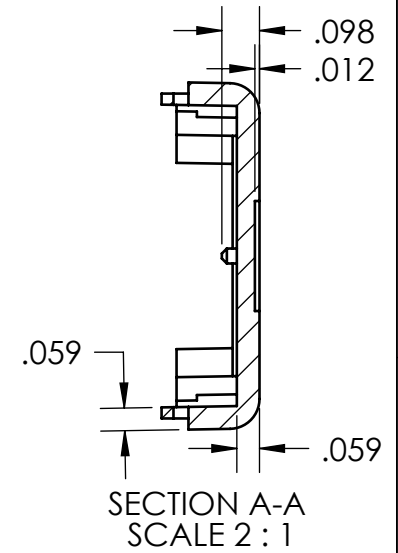
8 7 6 5 4 3 2 1



USB-31C*08
USB-SERIES COVER, CLEAR
MATERIAL: PC



USB-31C*15
USB-SERIES COVER, LIGHT GRAY
MATERIAL: ABS



UNLESS OTHERWISE SPECIFIED:
DIMENSIONS ARE IN: INCHES[mm]
TOLERANCES: ANGULAR: $\pm 2^\circ$
TWO PLACE DECIMAL: $\pm .030$
THREE PLACE DECIMAL: $\pm .015$
PRINTED GRAPHICS: $\pm .010$

PROPRIETARY AND CONFIDENTIAL
THE INFORMATION CONTAINED IN THIS
DRAWING IS THE SOLE PROPERTY OF
POLYCASE. ANY REPRODUCTION IN PART
OR AS A WHOLE WITHOUT THE WRITTEN
PERMISSION OF POLYCASE IS PROHIBITED.
CAD FILE: USB-31C

PART NO.
USB-31C
PRODUCT
-

CLIENT
-

NAME	DATE
B.A.B.	2/22/2010
B.M.B.	2/25/2010

DRAWN
CHECKED

POLYCASE™
YOUR PERFECT FIT
1305 CHESTER IND. PARKWAY AVON, OHIO 44011-1083 U.S.A.
PH#: 1-800-248-1233, 440-934-0444 FAX#: 440-934-0088

SIZE A	TITLE: Secondary Operations Drawing	REV -
SCALE: 1:1	SHEET 1 OF 1	

REV.	DESCRIPTION	ZONE	BY	APPR'D	DATE
REVISIONS					

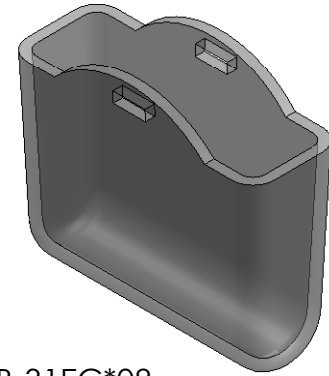
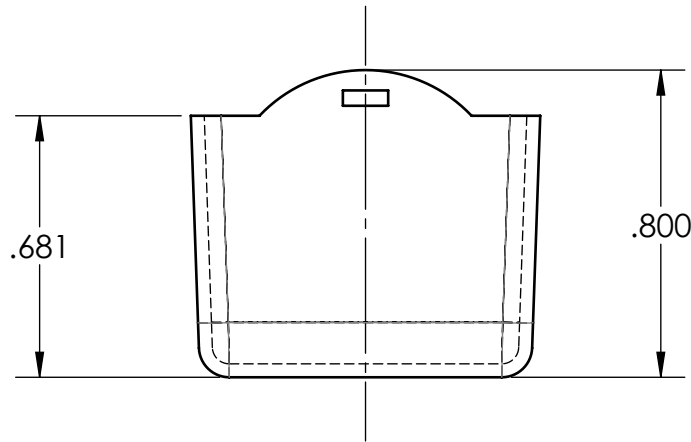
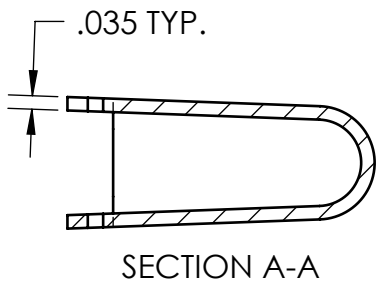
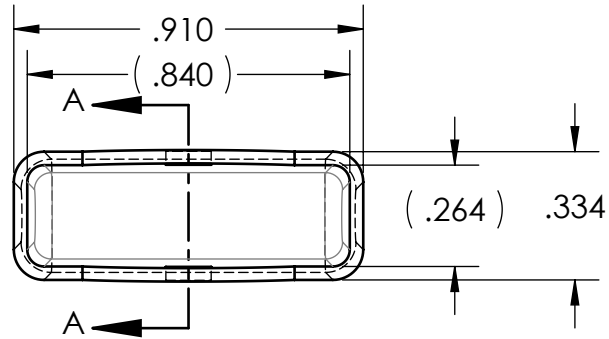
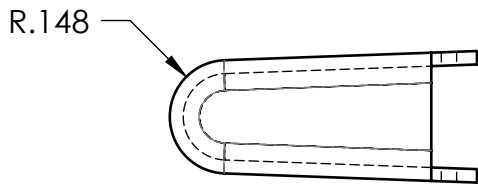
5

4

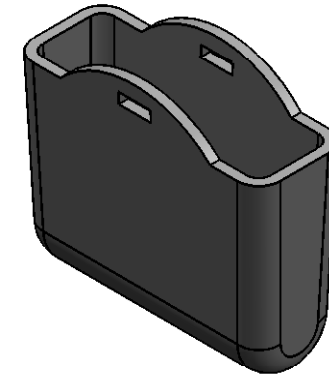
3

2

1



USB-31EC*08
USB-SERIES END CAP, CLEAR
MATERIAL: PC



USB-31EC*15
USB-SERIES END CAP, LIGHT GRAY
MATERIAL: ABS

UNLESS OTHERWISE SPECIFIED:
DIMENSIONS ARE IN: INCHES [mm]
TOLERANCES: ANGULAR: $\pm 2^\circ$
TWO PLACE DECIMAL: $\pm .030$
THREE PLACE DECIMAL: $\pm .015$
PRINTED GRAPHICS: $\pm .010$

PROPRIETARY AND CONFIDENTIAL
THE INFORMATION CONTAINED IN THIS
DRAWING IS THE SOLE PROPERTY OF
POLYCASE. ANY REPRODUCTION IN PART
OR AS A WHOLE WITHOUT THE WRITTEN
PERMISSION OF POLYCASE IS PROHIBITED.
CAD FILE: USB-31EC

PART NO. USB-31EC		
PRODUCT -		
CLIENT -		
DRAWN	NAME	DATE
CHECKED	B.A.B.	2/25/2010
	B.M.B.	2/25/2010

POLYCASE™
YOUR PERFECT FIT
1305 CHESTER IND. PARKWAY AVON, OHIO 44011-1083 U.S.A.
PH#: 1-800-248-1233, 440-934-0444 FAX#: 440-934-0088

SIZE A	TITLE: Secondary Operations Drawing	REV -
SCALE: 2:1		SHEET 1 OF 1

REV.	DESCRIPTION	ZONE	BY	APPR'D	DATE
REVISIONS					

5

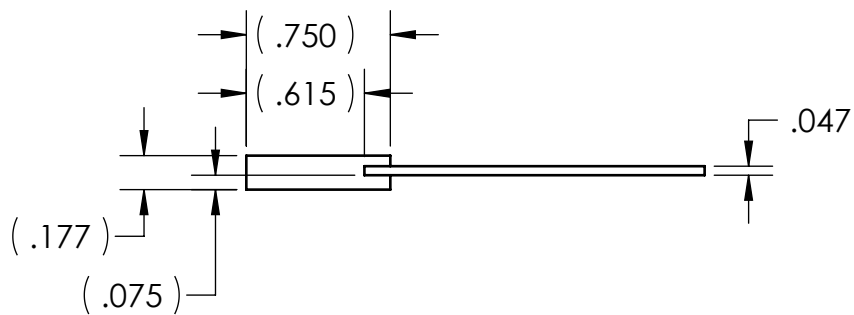
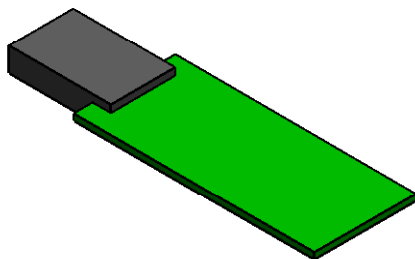
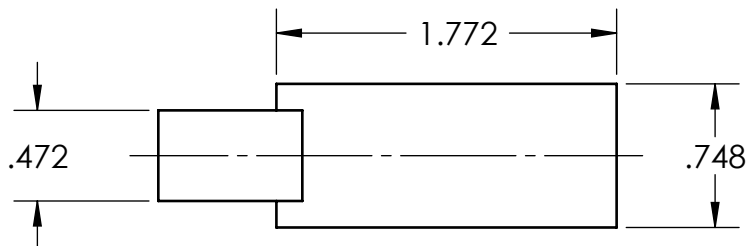
4

3

2


1

D
C
B
A



NOTES:

1. PCB SIZE INCLUDES .002 CLEARANCE FROM INNER WALLS.

UNLESS OTHERWISE SPECIFIED: DIMENSIONS ARE IN: INCHES[mm] TOLERANCES: ANGULAR: ±2° TWO PLACE DECIMAL: ±.010 THREE PLACE DECIMAL: ±.005 PRINTED GRAPHICS: ±.010	PART NO. USB-31-PCB		 <small>1305 CHESTER IND. PARKWAY AVON, OHIO 44011-1083 U.S.A. PH#: 1-800-248-1233, 440-934-0444 FAX#: 440-934-0088</small>
	PRODUCT -		
PROPRIETARY AND CONFIDENTIAL THE INFORMATION CONTAINED IN THIS DRAWING IS THE SOLE PROPERTY OF POLYCASE. ANY REPRODUCTION IN PART OR AS A WHOLE WITHOUT THE WRITTEN PERMISSION OF POLYCASE IS PROHIBITED. CAD FILE: USB-31-PCB	CLIENT -		SIZE A
	DRAWN D.M.F. 6/9/2010 CHECKED B.M.B. 7/21/2010		PCB Template
REV. DESCRIPTION		DATE	REV
REVISIONS			-

REV.	DESCRIPTION	ZONE	BY	APPR'D	DATE
5					
4					
3					
2					
1					

5

4

3

2

1

SCALE: 1:1



SHEET 1 OF 1