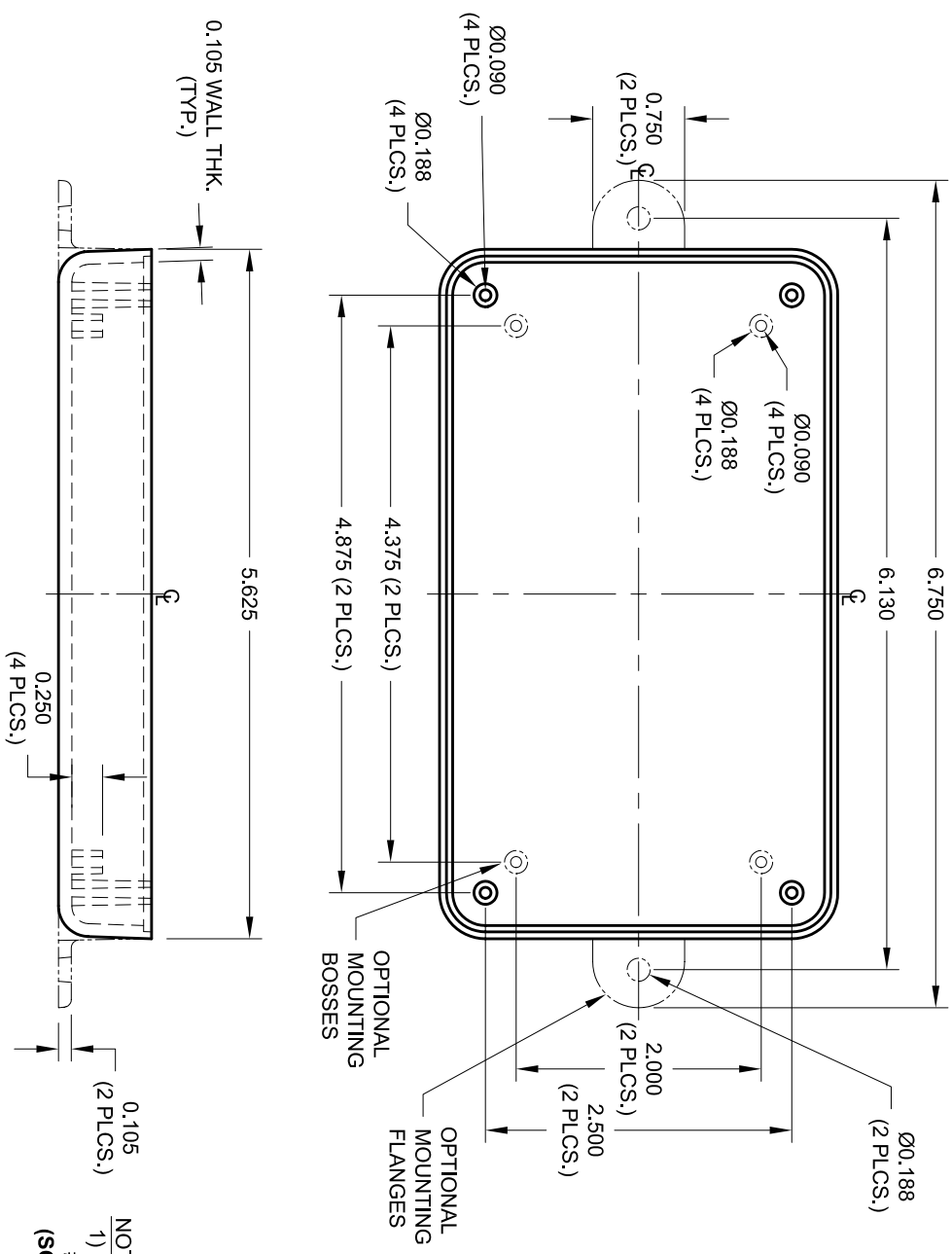


NOTES:  
 1) PC BOARD BOSSES WILL ACCCEPT A #4 X 1/4" THREAD FORMING SCREW (SCREWS AVAILABLE FROM POLYCASE)

		1305 CHESTER IND. PARKWAY AVON, OHIO 44011-1083 U.S.A. PH#: 1-800-248-1233, 440-934-0444 FAX#: 440-934-0088	
REV	DESCRIPTION	DATE	TOLERANCES UNLESS OTHERWISE SPECIFIED X.XX ±.020 X.XXX ±.010
			THIS DRAWING AND THE INFORMATION CONTAINED HEREIN ARE THE PROPERTY OF POLYCASE AND IT IS NOT TO BE REPRODUCED, COPIED OR USED IN ANY WAY DETRIMENTAL TO THE INTEREST OF POLYCASE
			DRWN BY: B.B.
			APP. BY: N.W.H.
			SCALE: FULL
			DATE: 9/9/02
			JOB NO.: SL-57
			CUSTOMER: PRODUCT:
			TITLE: PRODUCT DETAIL DRAWING



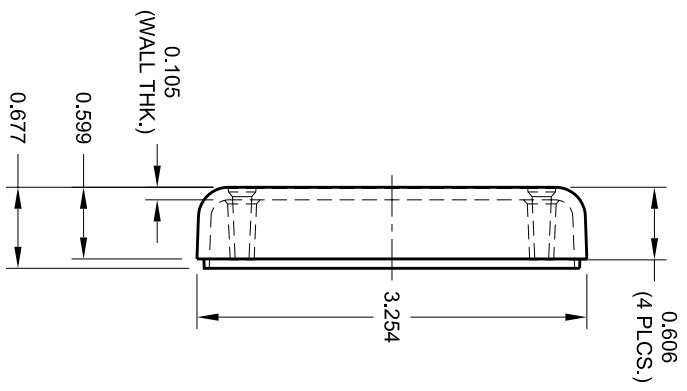
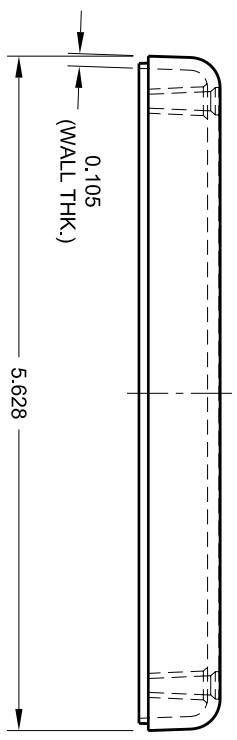
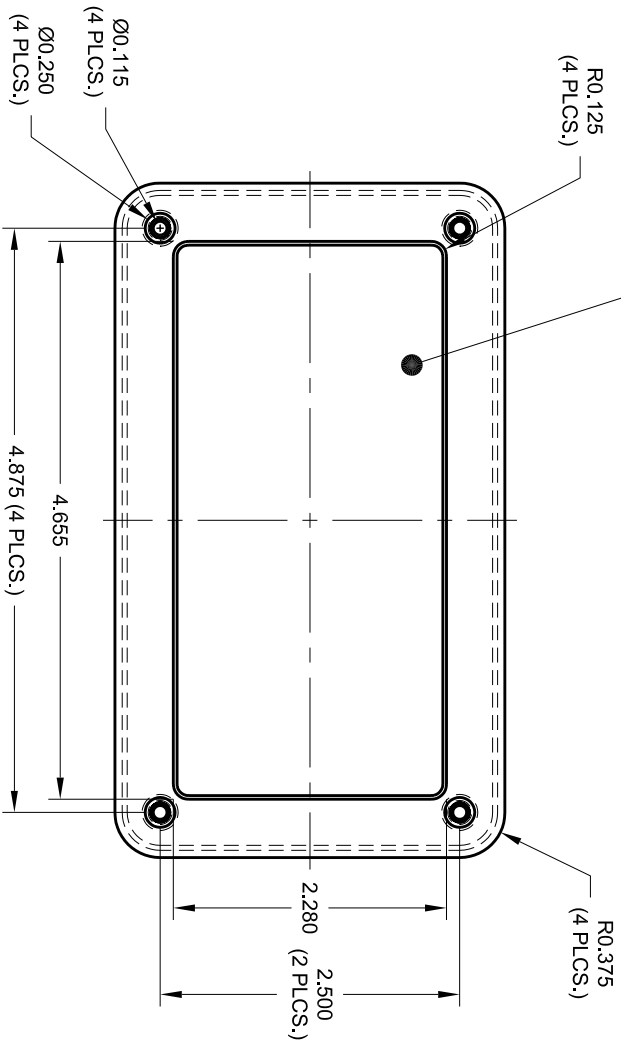
NOTES:  
 1) PC BOARD BOSSES WILL ACCEPT A #4 X 1/4" THREAD FORMING SCREW (SCREWS AVAILABLE FROM POLYCASE)

REV	DESCRIPTION	BY	CHK	DATE

POLYCASE YOUR PERFECT FIT 1085 CHESTER RD. PARKWAY ACON, OHIO 44011 USA TEL: 440.248.1233 FAX: 440.248.0088 WWW.POLYCASE.COM	DRAWN BY: B.B. APP. BY: N.H. JOB NO.: - CUSTOMER: - TITLE: PRODUCT DETAIL DRAWING	SCALE: FULL DATE: 07/05/00 PRODUCT: SL-538
------------------------------------------------------------------------------------------------------------------------------------------	-----------------------------------------------------------------------------------------------	--------------------------------------------------

TEXTURED FLUSH OR  
RECESSED SMOOTH 0.030" DEEP



REV	DESCRIPTION	DATE

NLESS  
X.XX ±.020  
X.XXX ±.010

FAX#: 440-934-0088  
 DRWN BY: APP. BY: SCALE: DATE:  
 R.B. N.H. FULL. 9/9/02  
 JOB NO.: PRODUCT:  
 CUSTOMER: SL-57C  
 TITLE: PRODUCT DETAIL DRAWING