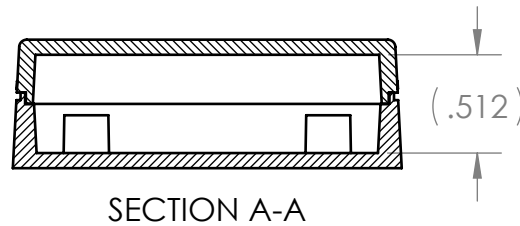
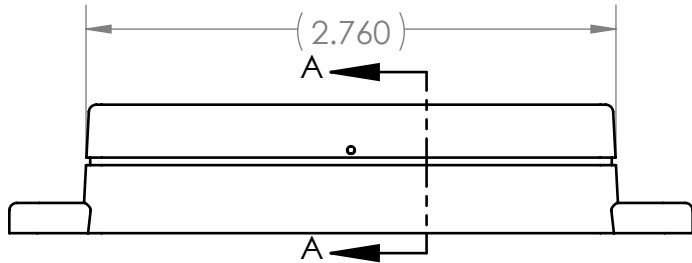
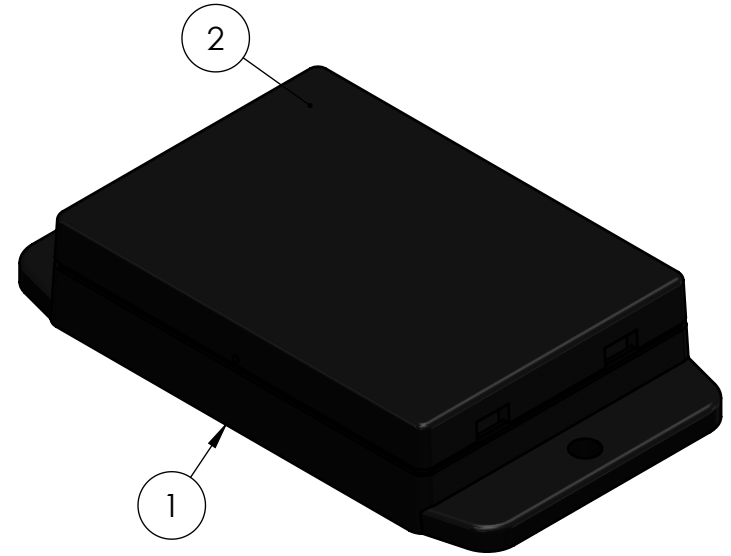
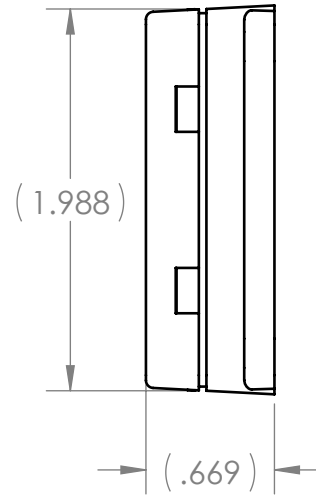
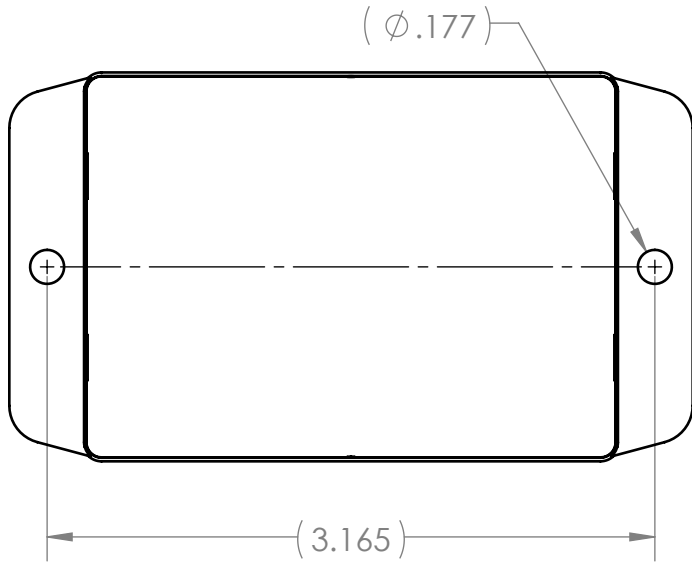


BOM Table

ITEM NO.	PART NUMBER	Rev.	Description	Material	FlameRating	Color	QTY.
1	SN-23B-01	-	BASE	ABS	UL94-HB	BLACK	1
2	SN-23C-01	-	COVER	ABS	UL94-HB	BLACK	1



UNLESS OTHERWISE SPECIFIED:
 DIMENSIONS ARE IN: INCHES[mm]
 TOLERANCES: ANGULAR: ±°
 TWO PLACE DECIMAL: ±
 THREE PLACE DECIMAL: ±
 PRINTED GRAPHICS: ±.010

PROPRIETARY AND CONFIDENTIAL
 THE INFORMATION CONTAINED IN THIS
 DRAWING IS THE SOLE PROPERTY OF
 POLYCASE. ANY REPRODUCTION IN PART
 OR AS A WHOLE WITHOUT THE WRITTEN
 PERMISSION OF POLYCASE IS PROHIBITED.
 CAD FILE: SN-23

PART NO.
 SN-23-01
 MATERIAL

FLAME RATING

SIZE
A



1305 CHESTER IND. PARKWAY AVON, OHIO 44011-1083 U.S.A.
 PH# 1-800-248-1233, 440-934-0444 FAX# 440-934-0088

REV
 -

REV.	DESCRIPTION	ZONE	BY	APPR'D	DATE
REVISIONS					

	NAME	DATE
DRAWN	D.M.F.	6/25/2018
CHECKED	-	12/31/2999

SCALE: 1:1



SHEET 1 OF 1

5

4

3

2

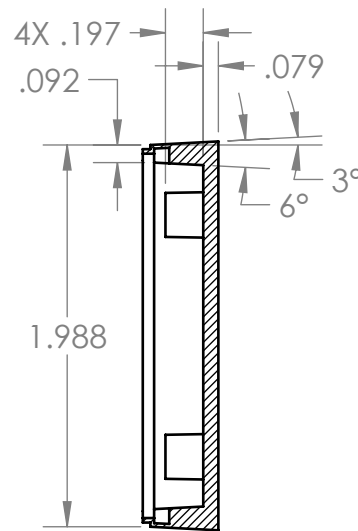
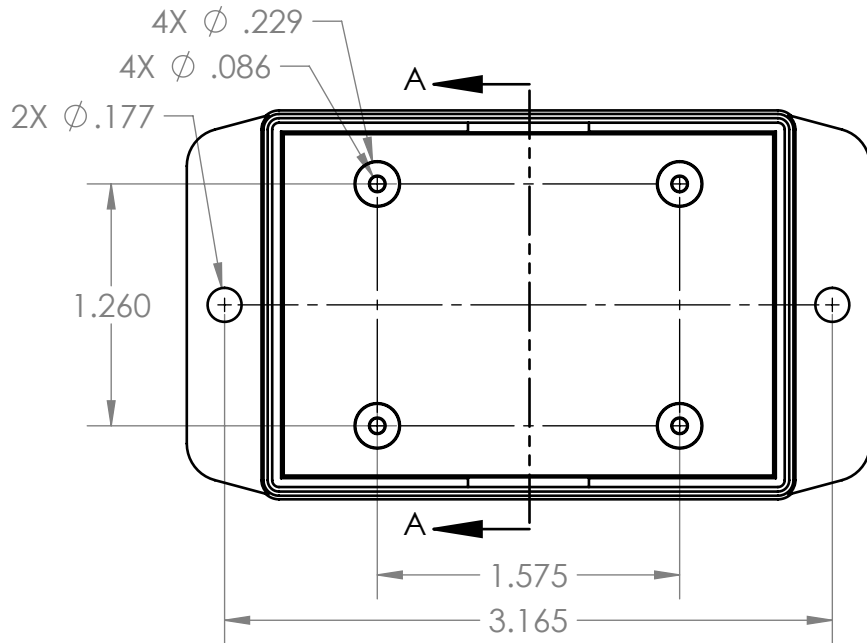
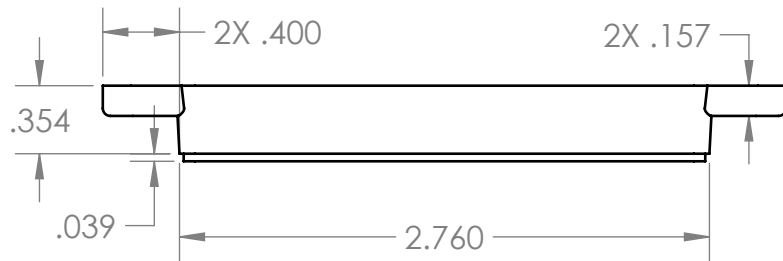
1

D

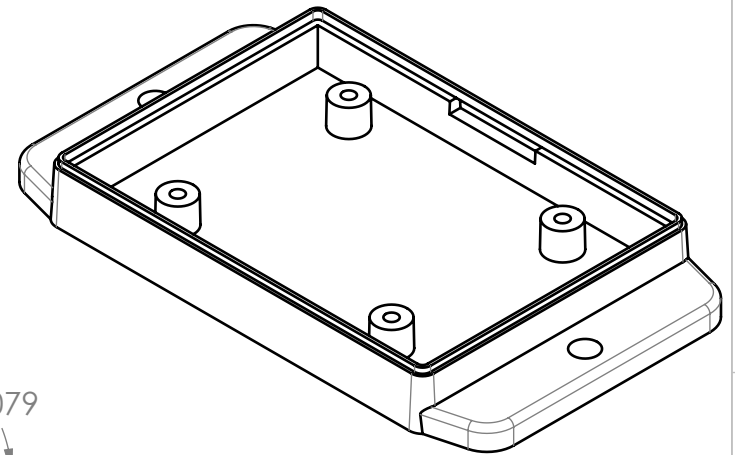
C

B

A



SECTION A-A



PART NUMBER: SN-23B-01
 MATERIAL: ABS
 COLOR: BLACK
 FLAME RATING: UL94-HB

UNLESS OTHERWISE SPECIFIED:
 DIMENSIONS ARE IN: INCHES [mm]
 TOLERANCES: ANGULAR: ±°
 TWO PLACE DECIMAL: ±
 THREE PLACE DECIMAL: ±
 PRINTED GRAPHICS: ±.010

PROPRIETARY AND CONFIDENTIAL
 THE INFORMATION CONTAINED IN THIS
 DRAWING IS THE SOLE PROPERTY OF
 POLYCASE. ANY REPRODUCTION IN PART
 OR AS A WHOLE WITHOUT THE WRITTEN
 PERMISSION OF POLYCASE IS PROHIBITED.
 CAD FILE: SN-23B

PART NO.
 SN-23B-01
 MATERIAL
 ABS

FLAME RATING
 UL94-HB

NAME	DATE
D.M.F.	6/25/2018
CHECKED	12/31/2999

SIZE
A

SCALE: 1:1



1305 CHESTER IND. PARKWAY AVON, OHIO 44011-1083 U.S.A.
 PH#: 1-800-248-1233, 440-934-0444 FAX#: 440-934-0088

BASE

REV

-



SHEET 1 OF 1

REV.	DESCRIPTION	ZONE	BY	APPR'D	DATE
REVISIONS					

5

4

3

2

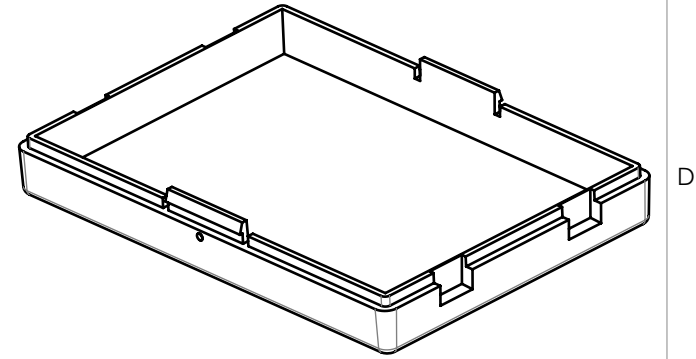
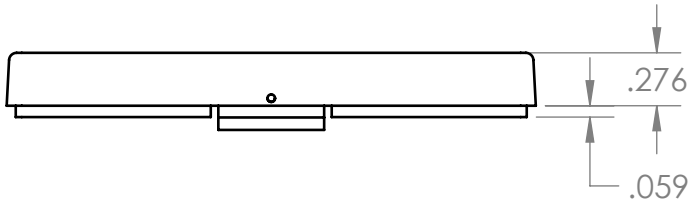
1

A

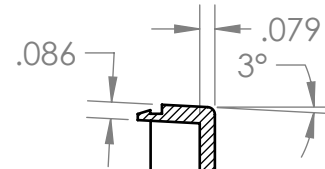
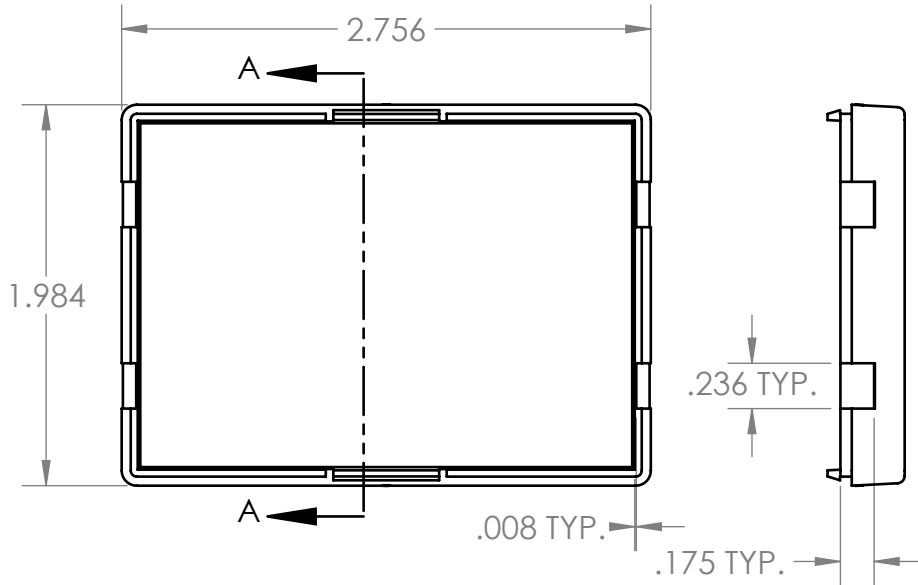
B

C


D



PART NUMBER: SN-23C-01
 MATERIAL: ABS
 COLOR: BLACK
 FLAME RATING: UL94-HB



SECTION A-A

UNLESS OTHERWISE SPECIFIED: DIMENSIONS ARE IN: INCHES [mm] TOLERANCES: ANGULAR: ±° TWO PLACE DECIMAL: ± THREE PLACE DECIMAL: ± PRINTED GRAPHICS: ±.010	PART NO. SN-23C-01		 <small>1305 CHESTER IND. PARKWAY AVON, OHIO 44011-1083 U.S.A. PH#: 1-800-248-1233, 440-934-0444 FAX#: 440-934-0088</small>												
	MATERIAL ABS														
PROPRIETARY AND CONFIDENTIAL THE INFORMATION CONTAINED IN THIS DRAWING IS THE SOLE PROPERTY OF POLYCASE. ANY REPRODUCTION IN PART OR AS A WHOLE WITHOUT THE WRITTEN PERMISSION OF POLYCASE IS PROHIBITED. CAD FILE: SN-23C	FLAME RATING UL94-HB	SIZE A	COVER												
	<table border="1"> <tr> <th>NAME</th> <th>DATE</th> </tr> <tr> <td>D.M.F.</td> <td>6/25/2018</td> </tr> <tr> <td>-</td> <td>12/31/2999</td> </tr> </table>	NAME	DATE	D.M.F.	6/25/2018	-	12/31/2999	SCALE: 1:1	REV -						
NAME	DATE														
D.M.F.	6/25/2018														
-	12/31/2999														
<table border="1"> <tr> <th>REV.</th> <th>DESCRIPTION</th> <th>ZONE</th> <th>BY</th> <th>APPR'D</th> <th>DATE</th> </tr> <tr> <td colspan="6" style="text-align: center;">REVISIONS</td> </tr> </table>	REV.	DESCRIPTION	ZONE	BY	APPR'D	DATE	REVISIONS								SHEET 1 OF 1
REV.	DESCRIPTION	ZONE	BY	APPR'D	DATE										
REVISIONS															

5

4

3

2

1

A

B

C

D