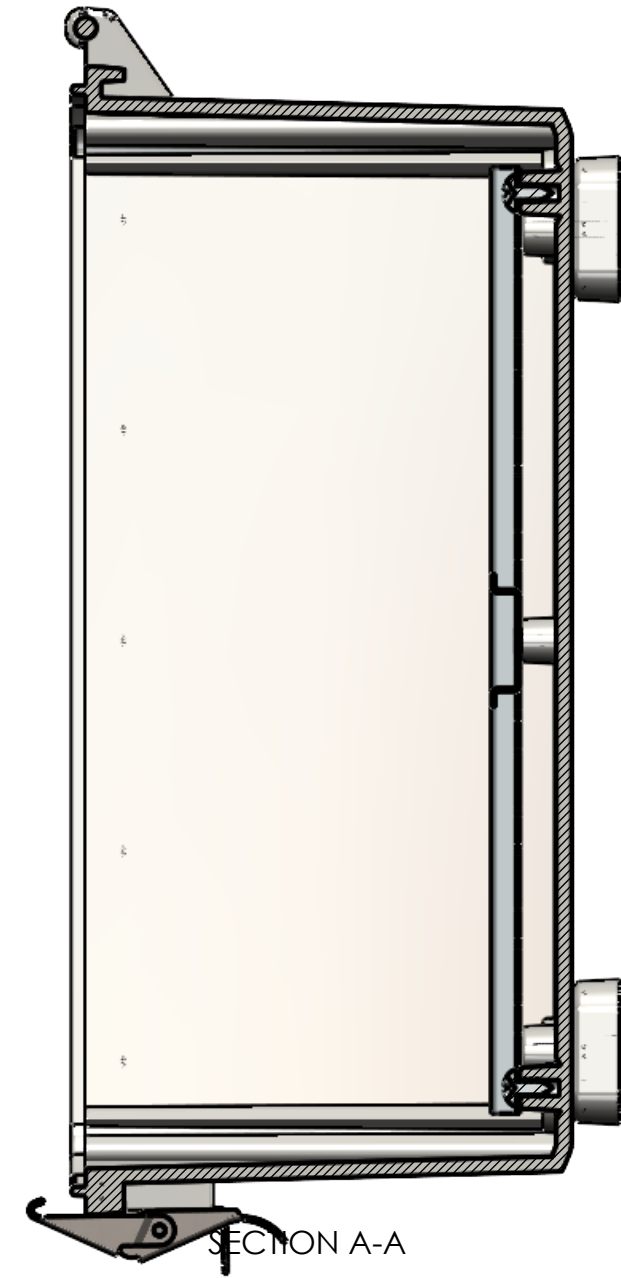
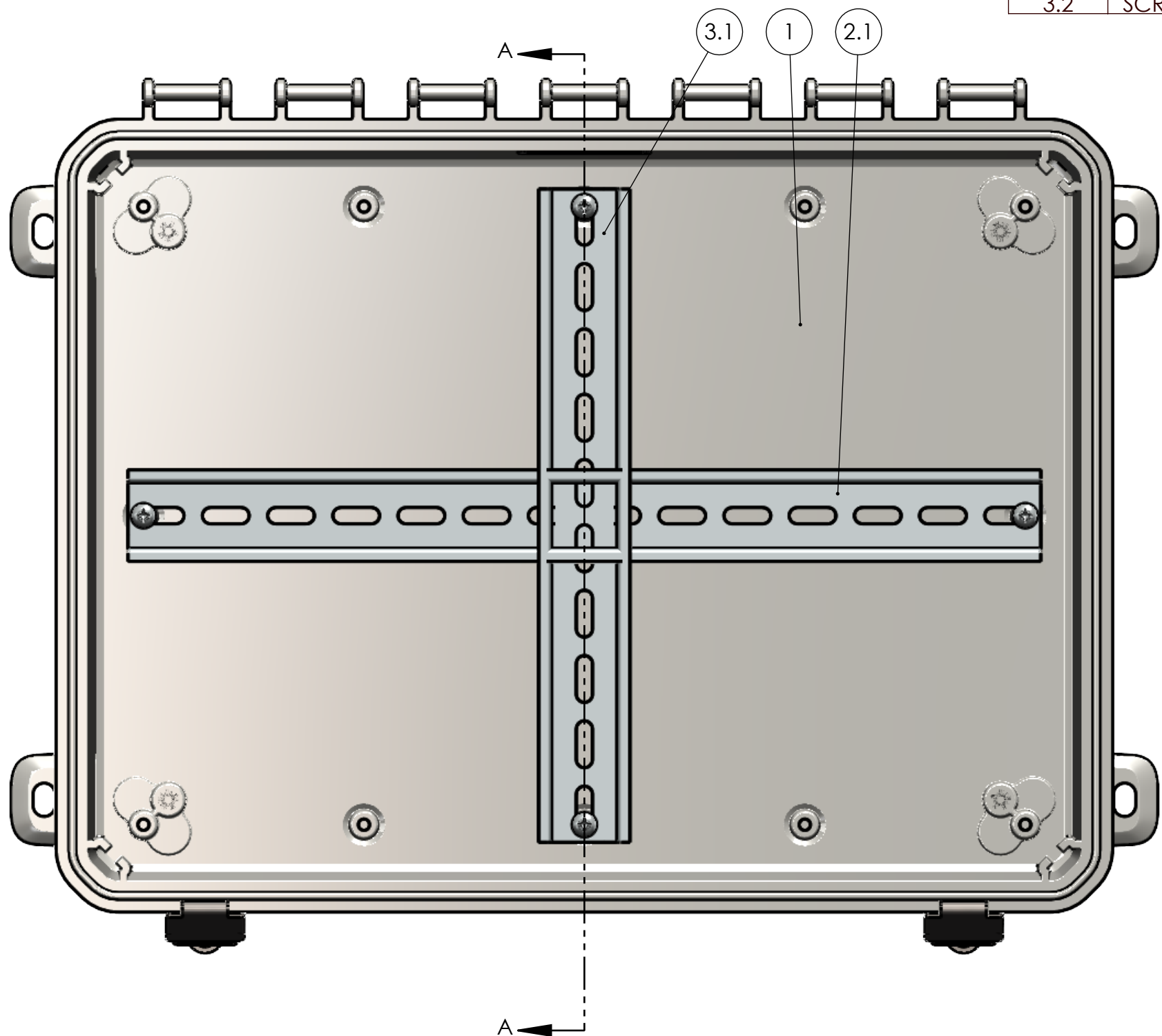


BOM Table				
ITEM NO.	PART NUMBER	Rev.	Description	QTY.
1	HP-151106-01	0	HINGED ENCLOSURE	1
2	DR-82	1	DIN RAIL KIT	1
2.1	DR-35R	0	DIN RAIL 35mmX7.5mm PER DIN EN 60715 X 350mm	1
2.2	SCREWS-013	0	10-16 X 3/8 TYPE AB PHILLIPS PAN HEAD SCREW	2
3	DR-57	1	DIN RAIL KIT	1
3.1	DR-30R	0	DIN RAIL 35mmX7.5mm PER DIN EN 60715 X 250mm	1
3.2	SCREWS-013	0	10-16 X 3/8 TYPE AB PHILLIPS PAN HEAD SCREW	2



UNLESS OTHERWISE SPECIFIED:
 DIMENSIONS ARE IN: INCHES[mm]
 TOLERANCES: ANGULAR: ±2°
 TWO PLACE DECIMAL: ±.010
 THREE PLACE DECIMAL: ±.005
 PRINTED GRAPHICS: ±.010

PROPRIETARY AND CONFIDENTIAL
 THE INFORMATION CONTAINED IN THIS
 DRAWING IS THE SOLE PROPERTY OF
 POLYCASE. ANY REPRODUCTION IN PART
 OR AS A WHOLE WITHOUT THE WRITTEN
 PERMISSION OF POLYCASE IS PROHIBITED.
 CAD FILE: HP-15110x_DR

PART NO. HP-15110x_DR		 <small>1305 CHESTER IND. PARKWAY AVON, OHIO 44011-1083 U.S.A. PH#: 1-800-248-1233, 440-934-0444 FAX#: 440-934-0088</small>
MATERIAL		
FLAME RATING	SIZE B	ENCLOSURE W/DIN RAIL
DRAWN	NAME D.M.F.	DATE 3/19/2024
CHECKED	-	3/19/2024

SCALE: 1:2

REV **0**

SHEET 1 OF 1

REV.	DESCRIPTION	ZONE	BY	APPR'D	DATE
REVISIONS					