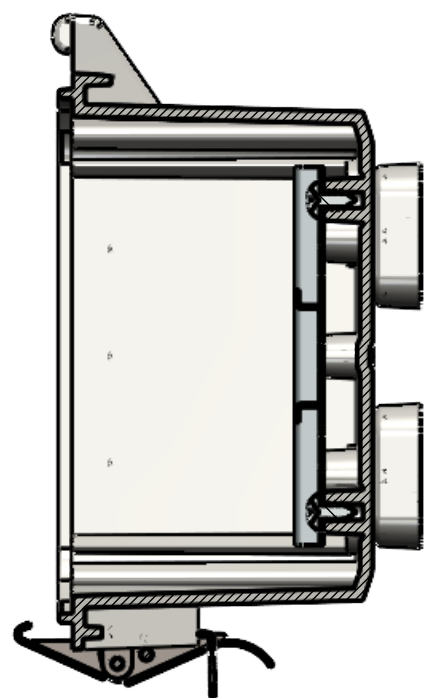
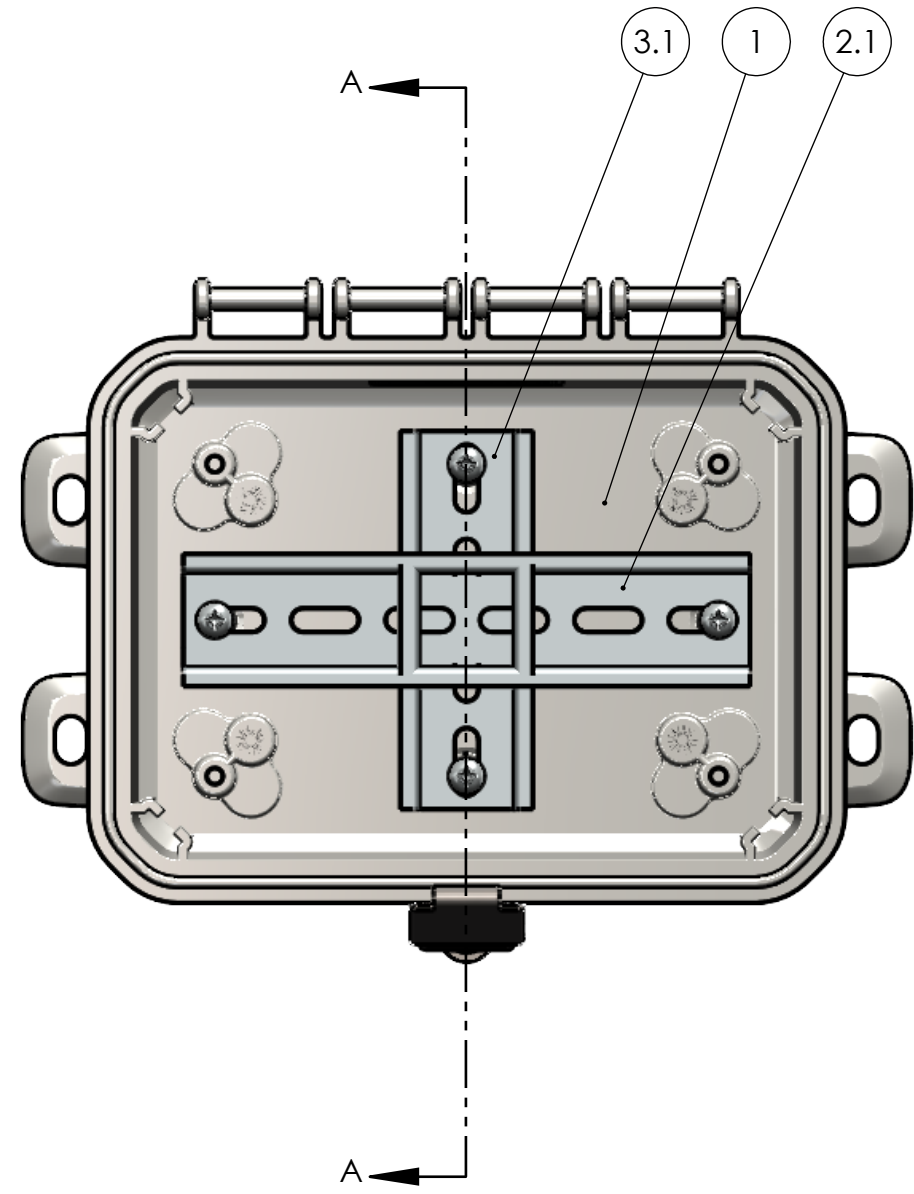


8 7 6 5 4 3 2 1

BOM Table				
ITEM NO.	PART NUMBER	Rev.	Description	QTY.
1	HP-070504-01	0	HINGED ENCLOSURE	1
2	DR-53	1	DIN RAIL KIT	1
2.1	DR-18R	0	DIN RAIL 35mmX7.5mm PER DIN EN 60715 X 150mm	1
2.2	SCREWS-013	0	10-16 X 3/8 TYPE AB PHILLIPS PAN HEAD SCREW	2
3	DR-51	1	DIN RAIL KIT	1
3.1	DR-10R	0	DIN RAIL 35mmX7.5mm PER DIN EN 60715 X 100mm	1
3.2	SCREWS-013	0	10-16 X 3/8 TYPE AB PHILLIPS PAN HEAD SCREW	2



SECTION A-A

UNLESS OTHERWISE SPECIFIED: DIMENSIONS ARE IN: INCHES[mm] TOLERANCES: ANGULAR: ±2° TWO PLACE DECIMAL: ±.010 THREE PLACE DECIMAL: ±.005 PRINTED GRAPHICS: ±.010	PART NO. HP-07050x_DR		 <small>1305 CHESTER IND. PARKWAY AVON, OHIO 44011-1083 U.S.A. PH#: 1-800-248-1233, 440-934-0444 FAX#: 440-934-0088</small>												
	MATERIAL														
PROPRIETARY AND CONFIDENTIAL THE INFORMATION CONTAINED IN THIS DRAWING IS THE SOLE PROPERTY OF POLYCASE. ANY REPRODUCTION IN PART OR AS A WHOLE WITHOUT THE WRITTEN PERMISSION OF POLYCASE IS PROHIBITED. CAD FILE: HP-07050x_DR	FLAME RATING	SIZE B	ENCLOSURE W/DIN RAIL												
	<table border="1"> <tr> <th>REV.</th> <th>NAME</th> <th>DATE</th> </tr> <tr> <td>DRAWN</td> <td>D.M.F.</td> <td>3/19/2024</td> </tr> <tr> <td>CHECKED</td> <td>-</td> <td>5/22/2023</td> </tr> </table>	REV.	NAME	DATE	DRAWN	D.M.F.	3/19/2024	CHECKED	-	5/22/2023	SCALE: 1:2	REV 0			
REV.	NAME	DATE													
DRAWN	D.M.F.	3/19/2024													
CHECKED	-	5/22/2023													
<table border="1"> <thead> <tr> <th>REV.</th> <th>DESCRIPTION</th> <th>ZONE</th> <th>BY</th> <th>APPR'D</th> <th>DATE</th> </tr> </thead> <tbody> <tr> <td colspan="6" style="text-align: center;">REVISIONS</td> </tr> </tbody> </table>		REV.	DESCRIPTION	ZONE	BY	APPR'D	DATE	REVISIONS						SHEET 1 OF 1	
REV.	DESCRIPTION	ZONE	BY	APPR'D	DATE										
REVISIONS															

8 7 6 5 4 3 2 1