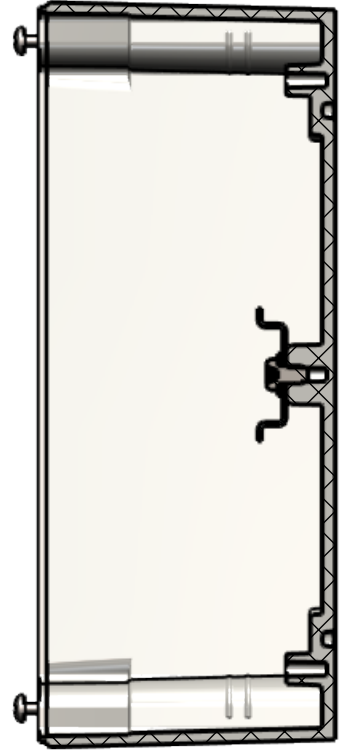
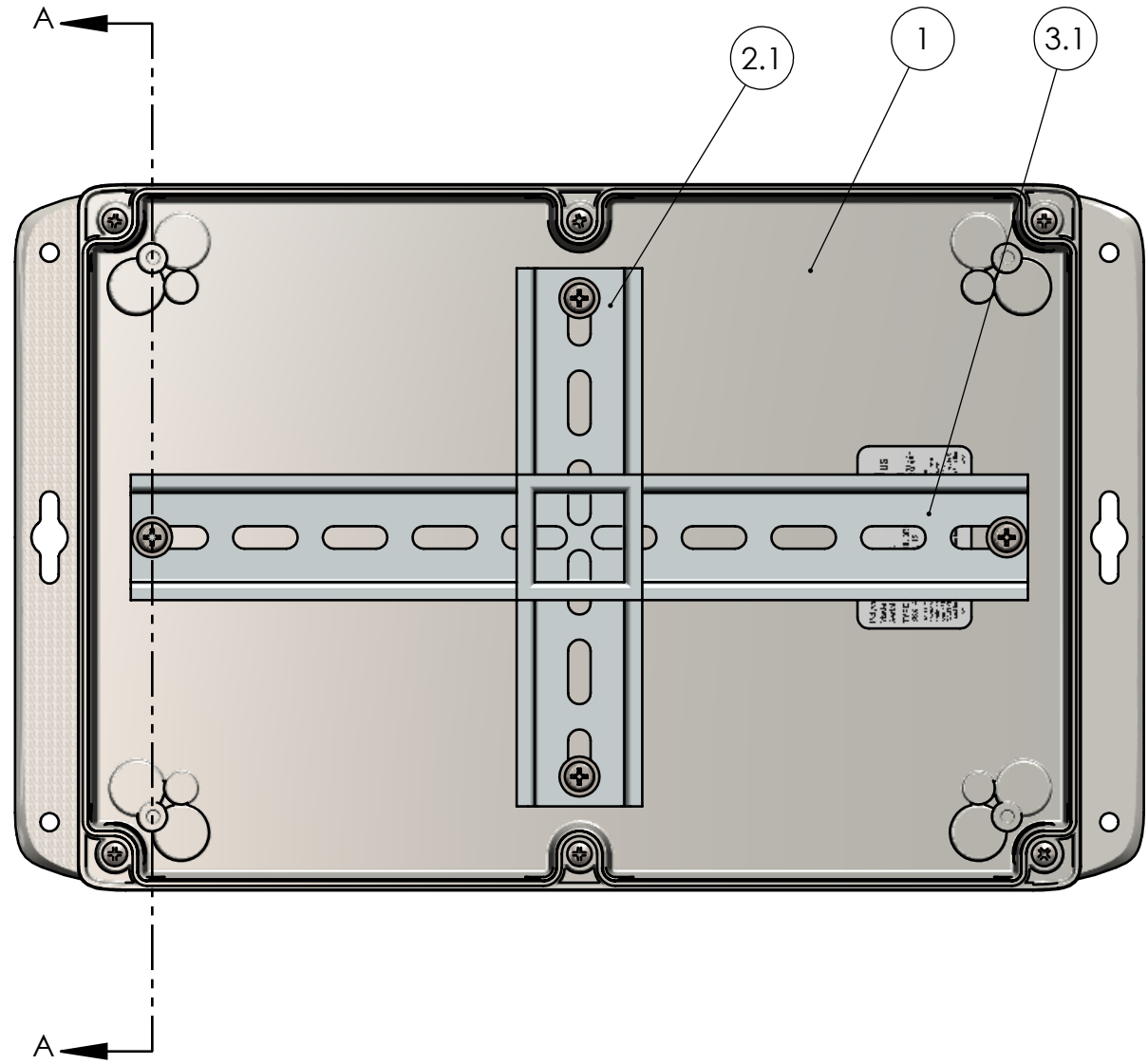


BOM Table					
ITEM NO.	PART NUMBER	Rev.	Description	Material	QTY.
1	HN-88-01	1	ASSEMBLY		1
2	DR-18	1	DIN RAIL KIT		1
2.1	DR-18R	0	DIN RAIL 35mmX7.5mm PER DIN EN 60715 X 150mm	STEEL	1
2.2	SCREWS-032	0.1	#8-16 X 5/16 PLASTITE, PAN HEAD, PHILLIPS	ZINC STEEL	2
2.3	W-015	0.1	#8 SAE WASHER, SST	SST	2
3	DR-20	1	DIN RAIL KIT		1
3.1	DR-30R	0	DIN RAIL 35mmX7.5mm PER DIN EN 60715 X 250mm	STEEL	1
3.2	SCREWS-032	0.1	#8-16 X 5/16 PLASTITE, PAN HEAD, PHILLIPS	ZINC STEEL	2
3.3	W-015	0.1	#8 SAE WASHER, SST	SST	2



SECTION A-A


REV.	COMMENT	ZONE	REVISED BY	CREATION DATE
0			Douglas French	11/19/2025

REVISIONS

UNLESS OTHERWISE SPECIFIED:
 DIMENSIONS ARE IN: INCHES[mm]
 TOLERANCES: ANGULAR: ±2°
 TWO PLACE DECIMAL: ±.010
 THREE PLACE DECIMAL: ±.005
 PRINTED GRAPHICS: ±.010

PROPRIETARY AND CONFIDENTIAL
 THE INFORMATION CONTAINED IN THIS
 DRAWING IS THE SOLE PROPERTY OF
 POLYCASE. ANY REPRODUCTION IN PART
 OR AS A WHOLE WITHOUT THE WRITTEN
 PERMISSION OF POLYCASE IS PROHIBITED.
 CAD FILE: HN-88-DR

PART NO. HN-88-DR	
MATERIAL	
FLAME RATING	SIZE B
DRAWN	CHECKED
NAME D.M.F.	DATE 11/19/2025


1305 CHESTER IND. PARKWAY AVON, OHIO 44011-1083 U.S.A.
 PH#: 1-800-248-1233, 440-934-0444 FAX#: 440-934-0088

REV **0**
 SCALE: 1:2
 SHEET 1 OF 1