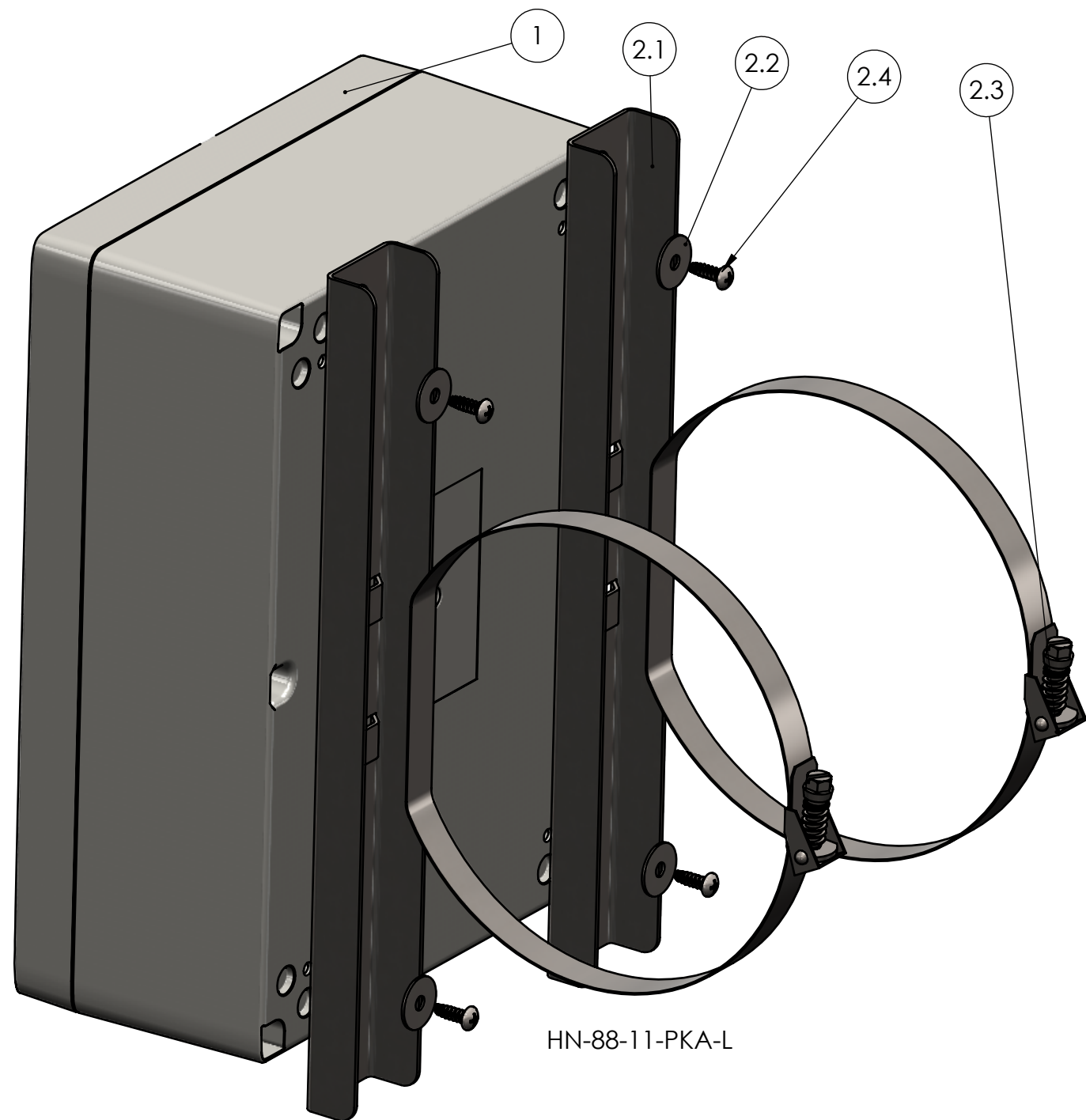
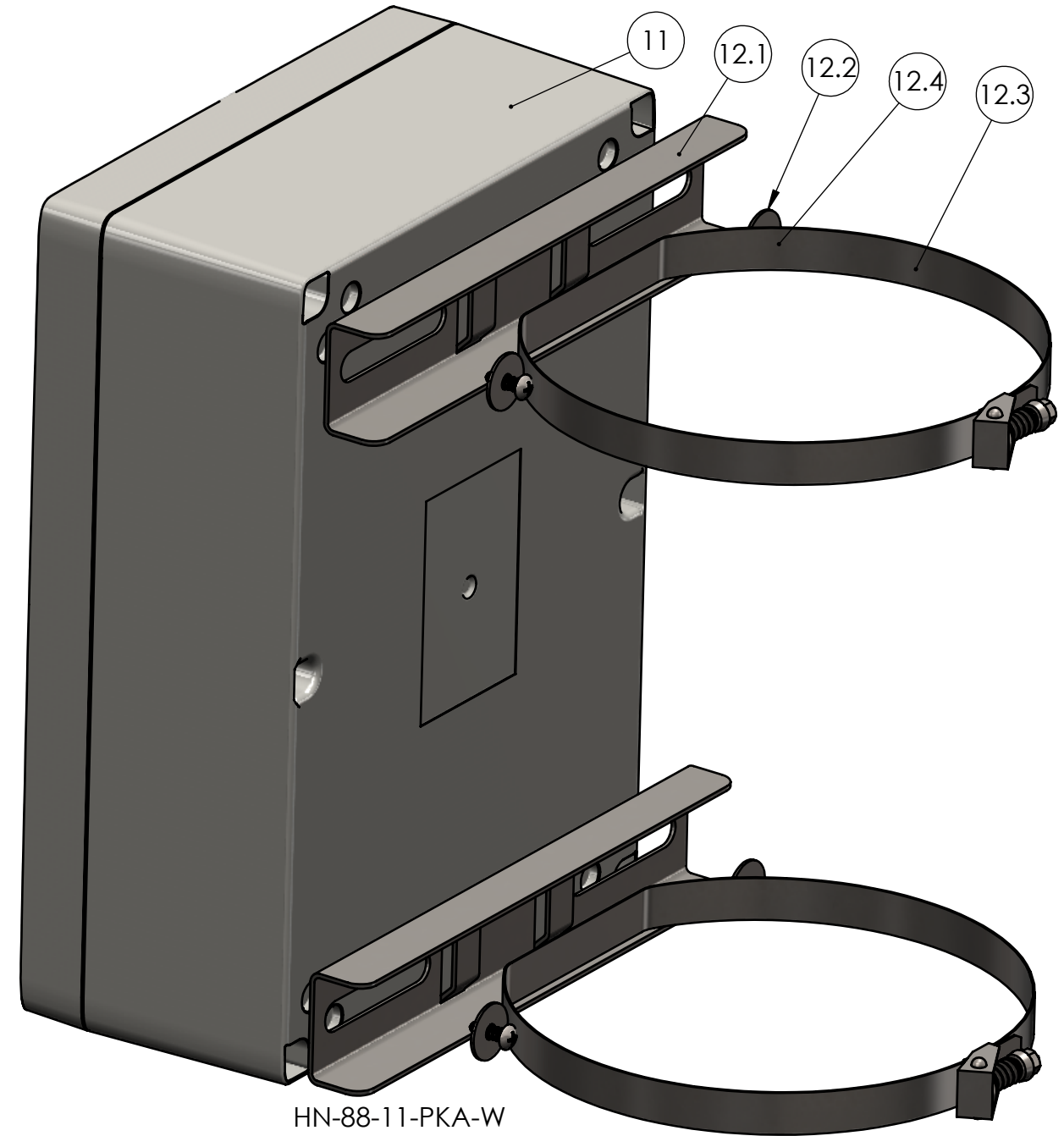


BOM Table					
ITEM NO.	PART NUMBER	Rev.	Description	Material	HN-57-01-PKA-L/QTY.
1	HN-88-11	1	ASSEMBLY		1
2	PK-123A	1	POLE MOUNT KIT		1
2.1	PK-12C-00	3	MOUNTING CHANNEL	304SS	2
2.2	W-002	0	FENDER WASHER .734 X .203 X .04	SST	4
2.3	CL-01	1	Hose Clamp, 2" to 12.25" ID, 30 in.-lbs. Max Torque	201 SST, ZINC SCREW	2
2.4	SCREWS-044	0	#8-16 X 1/2 PLASTITE, PAN HEAD, PHILLIPS, SST	SST	4

BOM Table					
ITEM NO.	PART NUMBER	Rev.	Description	Material	HN-57-01-PKA-W/QTY.
11	HN-88-11	1	ASSEMBLY		1
12	PK-084A	1	POLE MOUNT KIT		1
12.1	PK-08C-00	3	MOUNTING CHANNEL	304SS	2
12.2	W-002	0	FENDER WASHER .734 X .203 X .04	SST	4
12.3	CL-01	1	Hose Clamp, 2" to 12.25" ID, 30 in.-lbs. Max Torque	201 SST, ZINC SCREW	2
12.4	SCREWS-044	0	#8-16 X 1/2 PLASTITE, PAN HEAD, PHILLIPS, SST	SST	4



HN-88-11-PKA-L



HN-88-11-PKA-W

UNLESS OTHERWISE SPECIFIED:
 DIMENSIONS ARE IN: INCHES[mm]
 TOLERANCES: ANGULAR: ±2°
 TWO PLACE DECIMAL: ±.010
 THREE PLACE DECIMAL: ±.005
 PRINTED GRAPHICS: ±.010

PROPRIETARY AND CONFIDENTIAL
 THE INFORMATION CONTAINED IN THIS
 DRAWING IS THE SOLE PROPERTY OF
 POLYCASE. ANY REPRODUCTION IN PART
 OR AS A WHOLE WITHOUT THE WRITTEN
 PERMISSION OF POLYCASE IS PROHIBITED.
 CAD FILE: HN-88-11-PKA

PART NO. HN-88-11-PKA-L	
MATERIAL	
FLAME RATING	SIZE B
DRAWN	NAME DATE
CHECKED	D.M.F. 11/17/2025

polycase
 1305 CHESTER IND. PARKWAY AVON, OHIO 44011-1083 U.S.A.
 PH#: 1-800-248-1233, 440-934-0444 FAX#: 440-934-0088

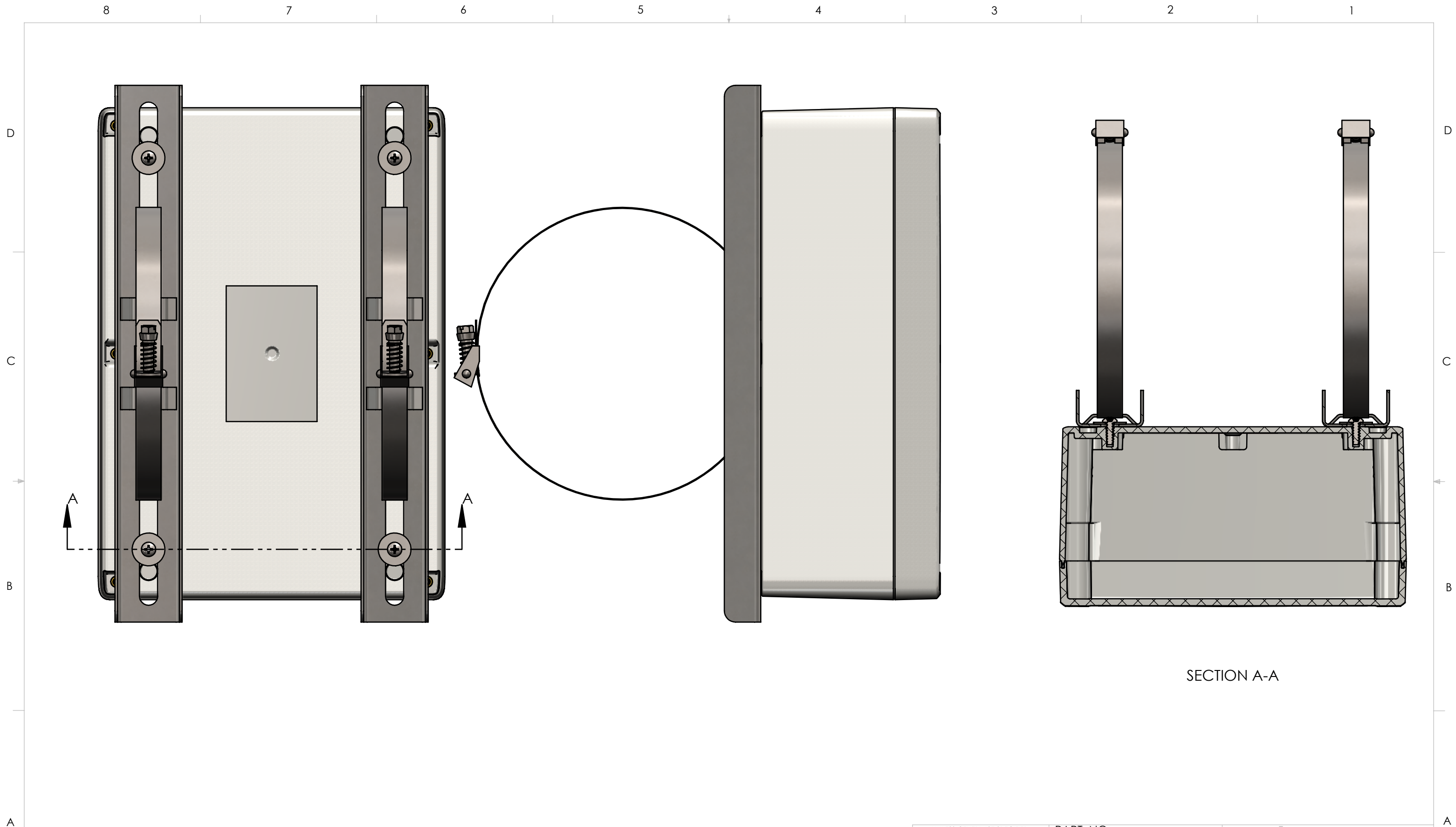
REV **0**

SCALE: 1:2

SHEET 1 OF 2

REV.	COMMENT	ZONE	REVISED BY	CREATION DATE
0			Douglas French	11/17/2025

REVISIONS



SECTION A-A

UNLESS OTHERWISE SPECIFIED:
 DIMENSIONS ARE IN: INCHES [mm]
 TOLERANCES: ANGULAR: ±2°
 TWO PLACE DECIMAL: ±.010
 THREE PLACE DECIMAL: ±.005
 PRINTED GRAPHICS: ±.010

PROPRIETARY AND CONFIDENTIAL
 THE INFORMATION CONTAINED IN THIS
 DRAWING IS THE SOLE PROPERTY OF
 POLYCASE. ANY REPRODUCTION IN PART
 OR AS A WHOLE WITHOUT THE WRITTEN
 PERMISSION OF POLYCASE IS PROHIBITED.
 CAD FILE: HN-88-11-PKA

PART NO.
 HN-88-11-PKA-L
 MATERIAL

FLAME RATING

	NAME	DATE
DRAWN	D.M.F.	11/17/2025
CHECKED	-	

SIZE
B

SCALE: 1:2



1305 CHESTER IND. PARKWAY AVON, OHIO 44011-1083 U.S.A.
 PH#: 1-800-248-1233, 440-934-0444 FAX#: 440-934-0088

REV
0

SHEET 2 OF 2

