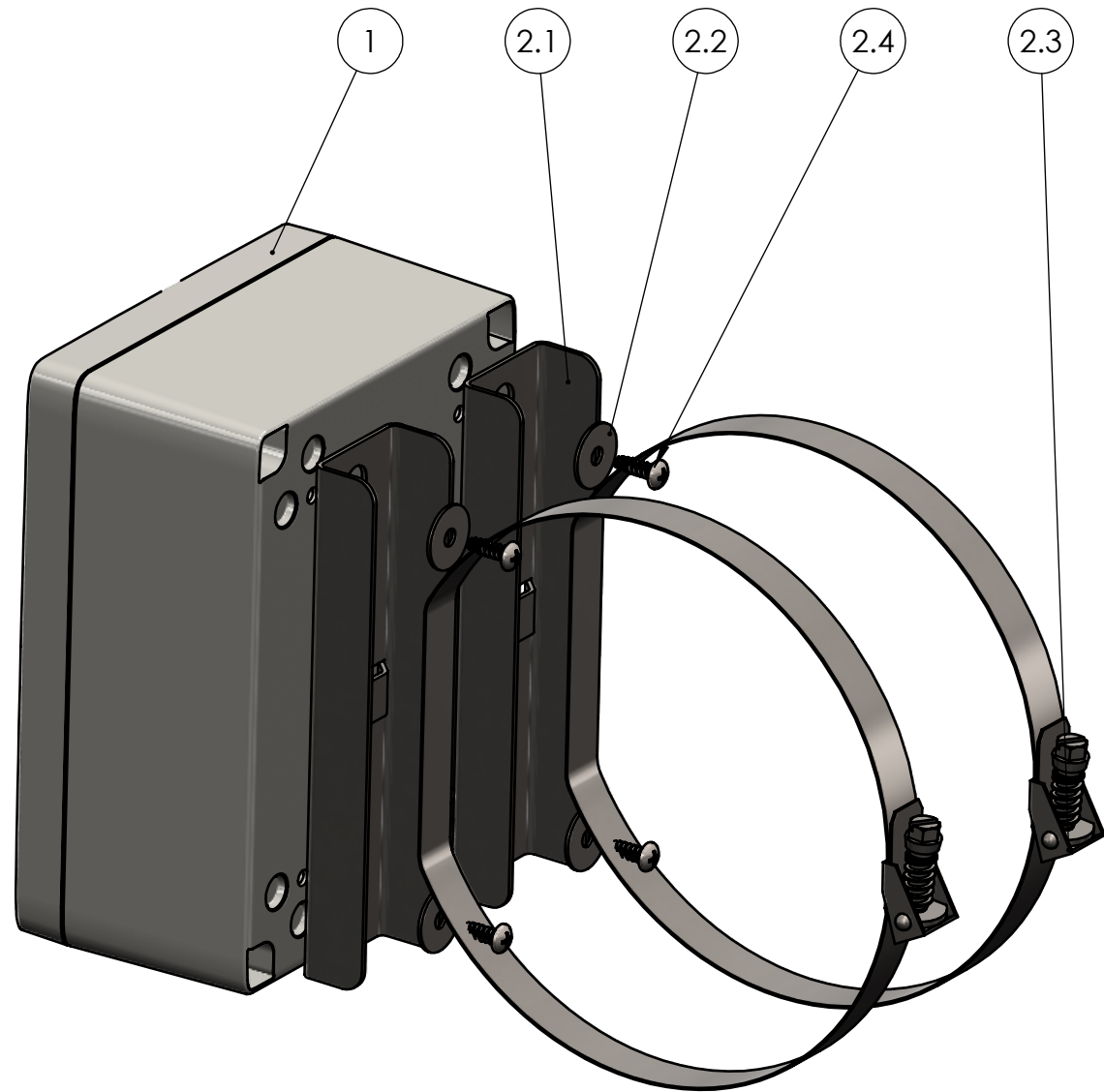
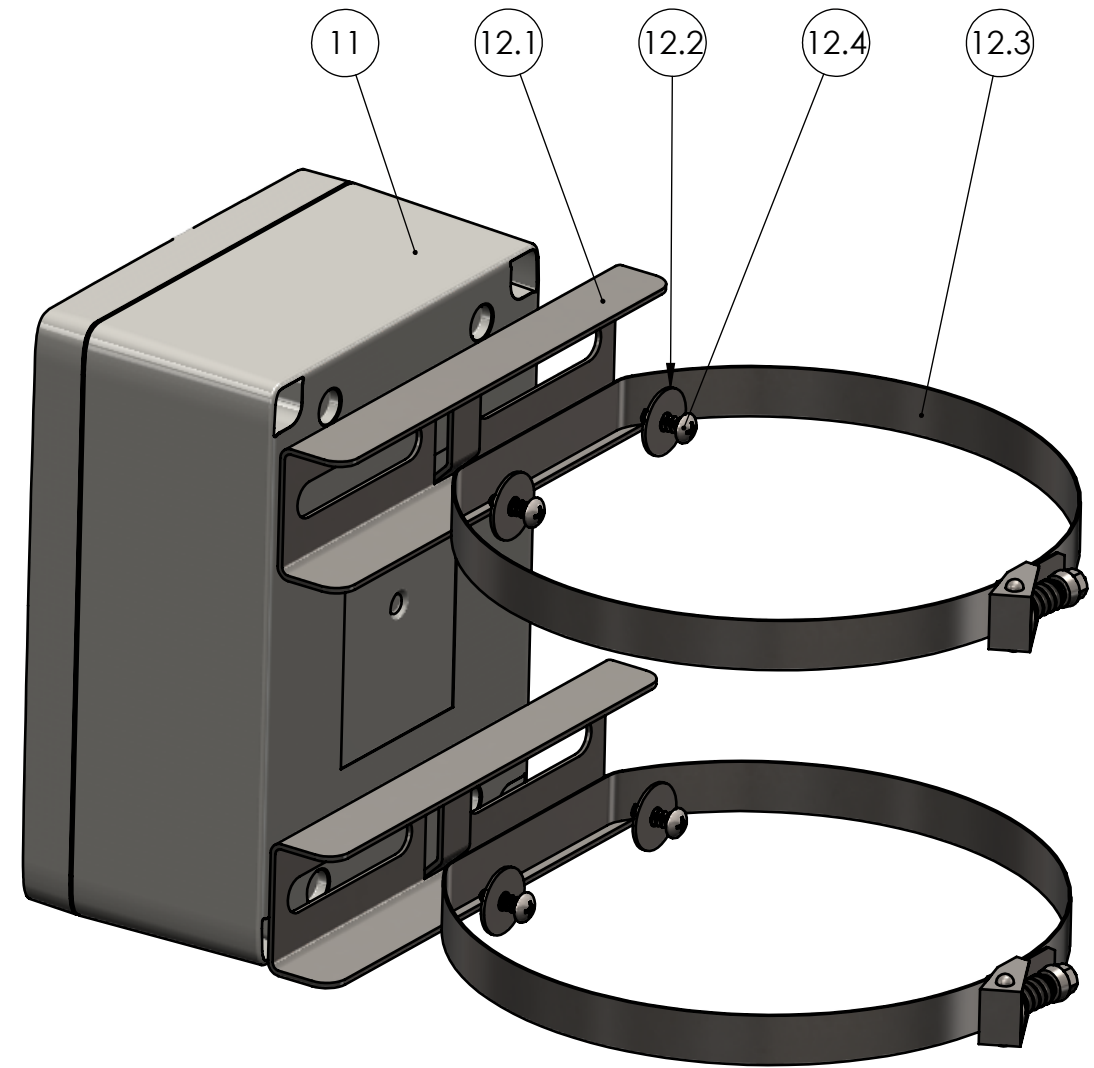


BOM Table					
ITEM NO.	PART NUMBER	Rev.	Description	Material	HN-57-01-PKA-L/QTY.
1	HN-57-11	3	ASSEMBLY		1
2	PK-068A	1	POLE MOUNT KIT		1
2.1	PK-06C-00	3	MOUNTING CHANNEL	304SS	2
2.2	W-002	0	FENDER WASHER .734 X .203 X .04	SST	4
2.3	CL-01	1	Hose Clamp, 2" to 12.25" ID, 30 in.-lbs. Max Torque	201 SST, ZINC SCREW	2
2.4	SCREWS-044	0	#8-16 X 1/2 PLASTITE, PAN HEAD, PHILLIPS, SST	SST	4

BOM Table					
ITEM NO.	PART NUMBER	Rev.	Description	Material	HN-57-01-PKA-W/QTY.
11	HN-57-11	3	ASSEMBLY		1
12	PK-068A	1	POLE MOUNT KIT		1
12.1	PK-06C-00	3	MOUNTING CHANNEL	304SS	2
12.2	W-002	0	FENDER WASHER .734 X .203 X .04	SST	4
12.3	CL-01	1	Hose Clamp, 2" to 12.25" ID, 30 in.-lbs. Max Torque	201 SST, ZINC SCREW	2
12.4	SCREWS-044	0	#8-16 X 1/2 PLASTITE, PAN HEAD, PHILLIPS, SST	SST	4



HN-57-11-PKA-L



HN-57-11-PKA-W

REV.	COMMENT	ZONE	REVISED BY	CREATION DATE
0			Douglas French	2/25/2025
REVISIONS				

UNLESS OTHERWISE SPECIFIED:
 DIMENSIONS ARE IN: INCHES[mm]
 TOLERANCES: ANGULAR: ±2°
 TWO PLACE DECIMAL: ±.010
 THREE PLACE DECIMAL: ±.005
 PRINTED GRAPHICS: ±.010

PROPRIETARY AND CONFIDENTIAL
 THE INFORMATION CONTAINED IN THIS
 DRAWING IS THE SOLE PROPERTY OF
 POLYCASE. ANY REPRODUCTION IN PART
 OR AS A WHOLE WITHOUT THE WRITTEN
 PERMISSION OF POLYCASE IS PROHIBITED.
 CAD FILE: HN-57-11-PKA

PART NO. HN-57-11-PKA-L	
MATERIAL	
FLAME RATING	SIZE B
DRAWN	NAME D.M.F.
CHECKED	DATE 2/25/2025

polycase
1305 CHESTER IND. PARKWAY AVON, OHIO 44011-1083 U.S.A.
 PH#: 1-800-248-1233, 440-934-0444 FAX#: 440-934-0088

REV
0

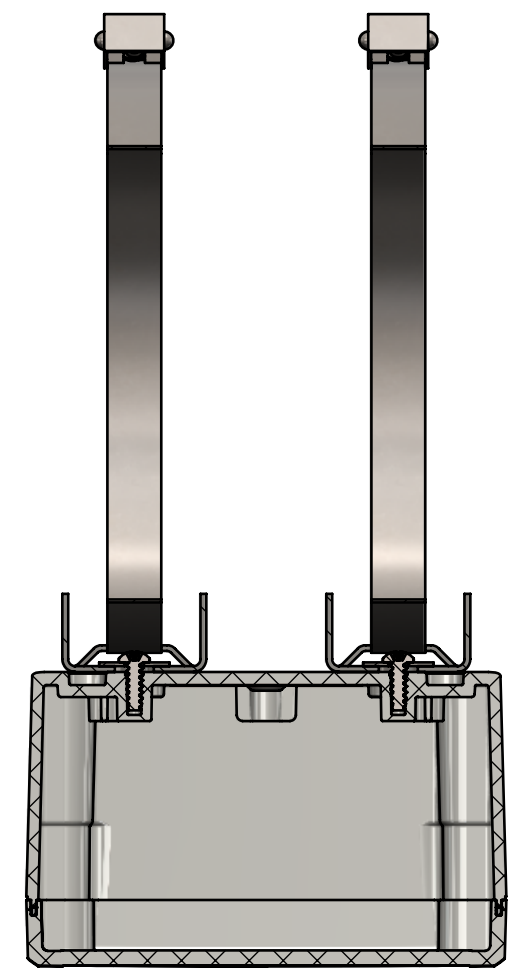
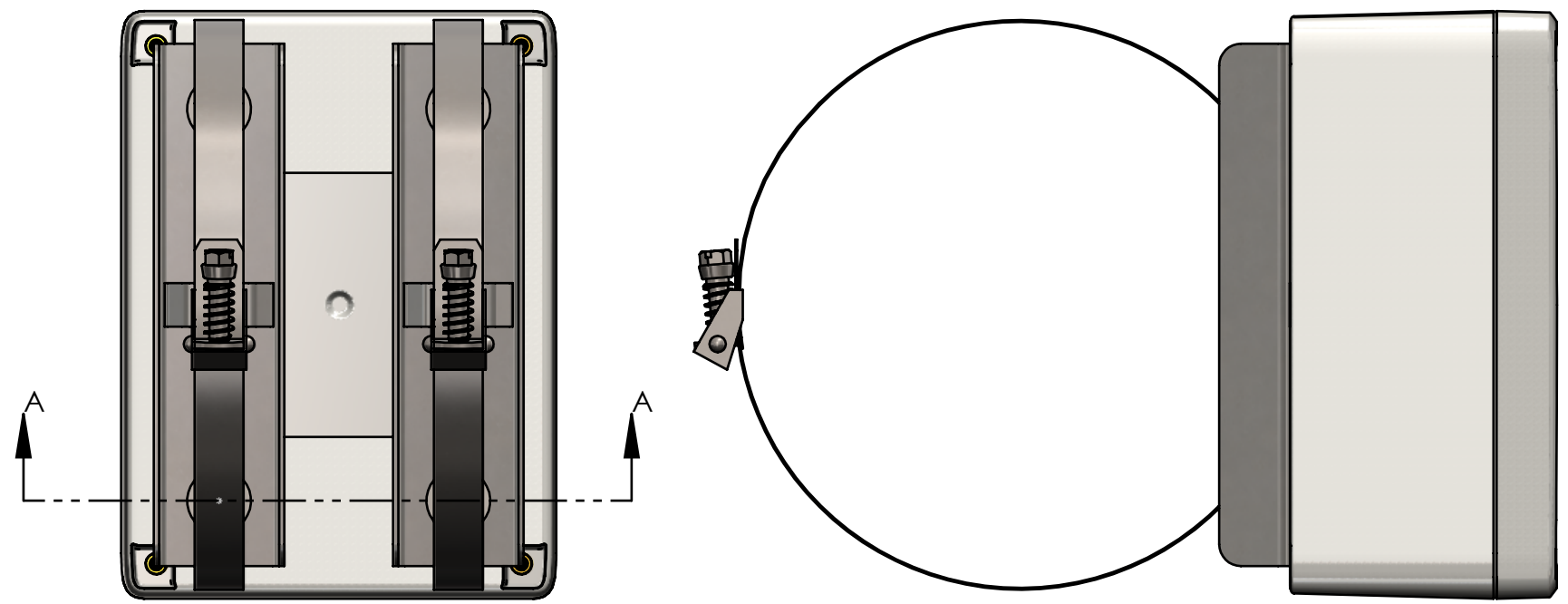
SCALE: 1:2

SHEET 1 OF 2


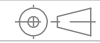
8 7 6 5 4 3 2 1

D
C
B
A

D
C
B
A



SECTION A-A

UNLESS OTHERWISE SPECIFIED: DIMENSIONS ARE IN: INCHES[mm] TOLERANCES: ANGULAR: ±2° TWO PLACE DECIMAL: ±.010 THREE PLACE DECIMAL: ±.005 PRINTED GRAPHICS: ±.010	PART NO. HN-57-11-PKA-L		 <small>1305 CHESTER IND. PARKWAY AVON, OHIO 44011-1083 U.S.A. PH#: 1-800-248-1233, 440-934-0444 FAX#: 440-934-0088</small>						
	MATERIAL								
PROPRIETARY AND CONFIDENTIAL THE INFORMATION CONTAINED IN THIS DRAWING IS THE SOLE PROPERTY OF POLYCASE. ANY REPRODUCTION IN PART OR AS A WHOLE WITHOUT THE WRITTEN PERMISSION OF POLYCASE IS PROHIBITED. CAD FILE: HN-57-11-PKA	FLAME RATING	SIZE B	REV 0						
	<table border="1"> <tr> <td>DRAWN</td> <td>NAME</td> <td>DATE</td> </tr> <tr> <td>CHECKED</td> <td>D.M.F.</td> <td>2/25/2025</td> </tr> </table>	DRAWN	NAME	DATE	CHECKED	D.M.F.	2/25/2025	SCALE: 1:2	
DRAWN	NAME	DATE							
CHECKED	D.M.F.	2/25/2025							

8 7 6 5 4 3 2 1