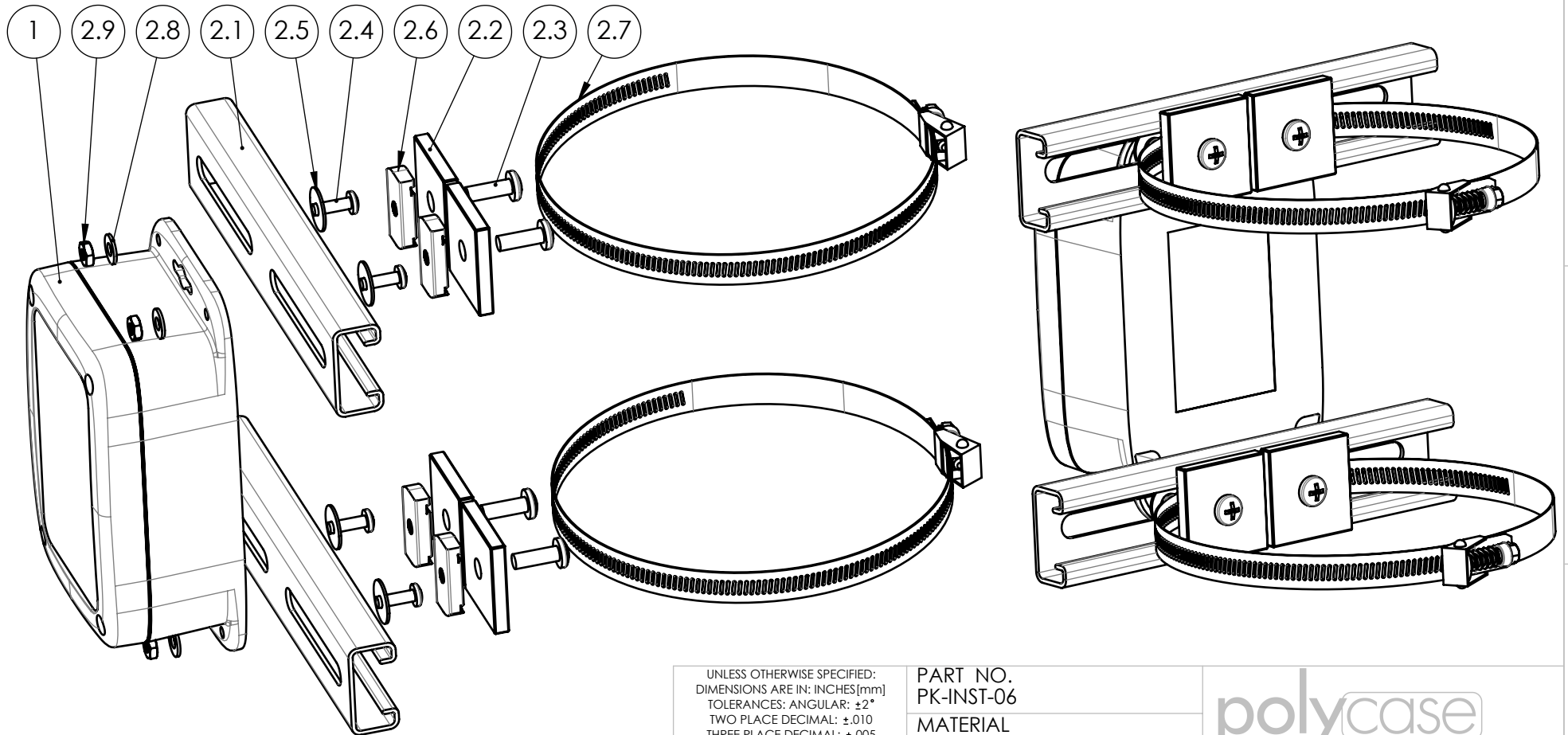


| ITEM NO. | PART NUMBER | Rev. | Description | Material | QTY. |
|----------|-------------|------|-----------------------------------------------------|---------------------|------|
| 1 | ML-45F*15 | 0 | ASSEMBLY | | 1 |
| 2 | PK-xxx | 0 | POLE MOUNT KIT | | 1 |
| 2.1 | SC-080 | 0 | Strut Channel P4100SLPG | PRE-GALV STEEL | 2 |
| 2.2 | SW-001 | 0 | Strut Channel Washer 1/4 | 304 SST | 4 |
| 2.3 | SCREWS-031 | 0 | 1/4-20 X .75 PAN HEAD, PHILLIPS, SS | SST | 4 |
| 2.4 | SCREWS-030 | | CR-PHMS #10-24x0.625 | SST | 4 |
| 2.5 | W-002 | | FENDER WASHER #10 X .734 X .04 | SST | 4 |
| 2.6 | SN-001 | 0 | Strut Channel NUT 1/4-20 | 316 SST | 4 |
| 2.7 | CL-01 | 0 | Hose Clamp, 2" to 12.25" ID, 30 in.-lbs. Max Torque | 201 SST, ZINC SCREW | 2 |
| 2.8 | W-012 | 0 | #10 SAE WASHER, SST | SST | 4 |
| 2.9 | N-001 | | NUT #10-24 SS | SST | 4 |



UNLESS OTHERWISE SPECIFIED:
 DIMENSIONS ARE IN: INCHES [mm]
 TOLERANCES: ANGULAR: ±2°
 TWO PLACE DECIMAL: ±.010
 THREE PLACE DECIMAL: ±.005
 PRINTED GRAPHICS: ±.010

PROPRIETARY AND CONFIDENTIAL
 THE INFORMATION CONTAINED IN THIS
 DRAWING IS THE SOLE PROPERTY OF
 POLYCASE. ANY REPRODUCTION IN PART
 OR AS A WHOLE WITHOUT THE WRITTEN
 PERMISSION OF POLYCASE IS PROHIBITED.
 CAD FILE: PK-INST-06

PART NO.
 PK-INST-06
 MATERIAL

polycase
 1305 CHESTER IND. PARKWAY AVON, OHIO 44011-1083 U.S.A.
 PH#: 1-800-248-1233, 440-934-0444 FAX#: 440-934-0088

FLAME RATING

NAME DATE
 D.M.F. 8/1/2018
 CHECKED - 10/24/2017

SIZE
A
 SCALE: 1:2.5

REV
0
 SHEET 1 OF 1

| REV. | DESCRIPTION | ZONE | BY | APPR'D | DATE |
|------|-------------|------|----|--------|------|
| | REVISIONS | | | | |

5

4

3

2

1