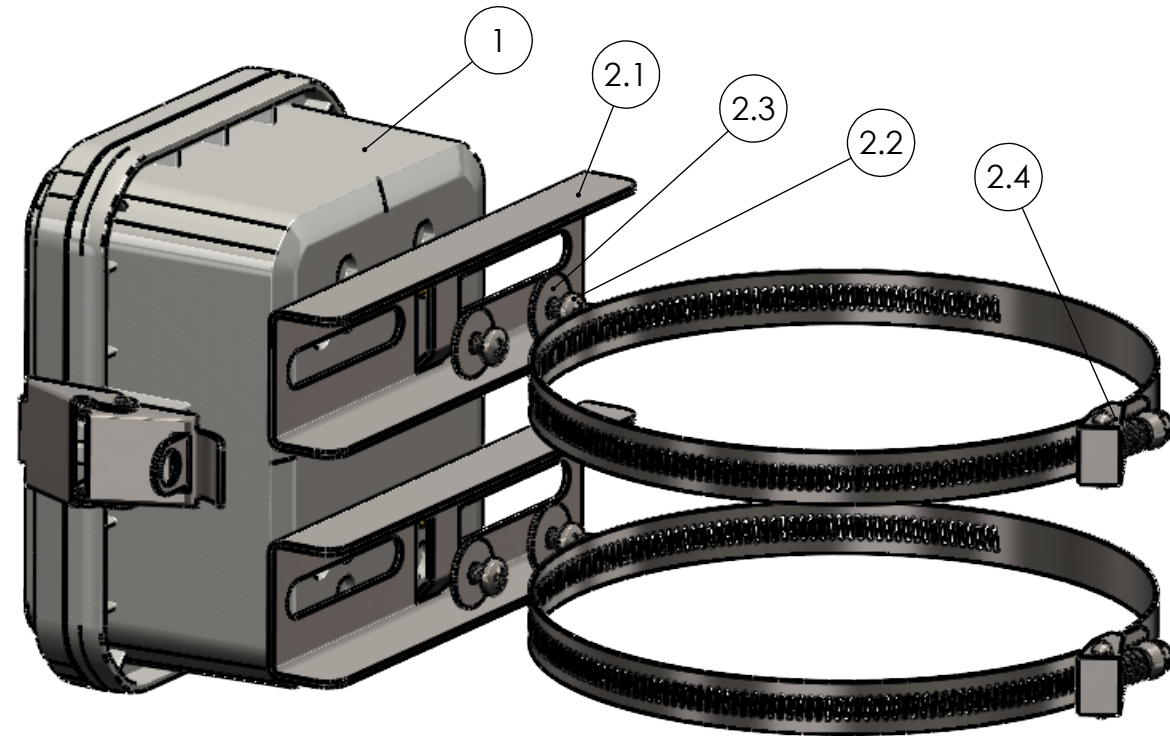
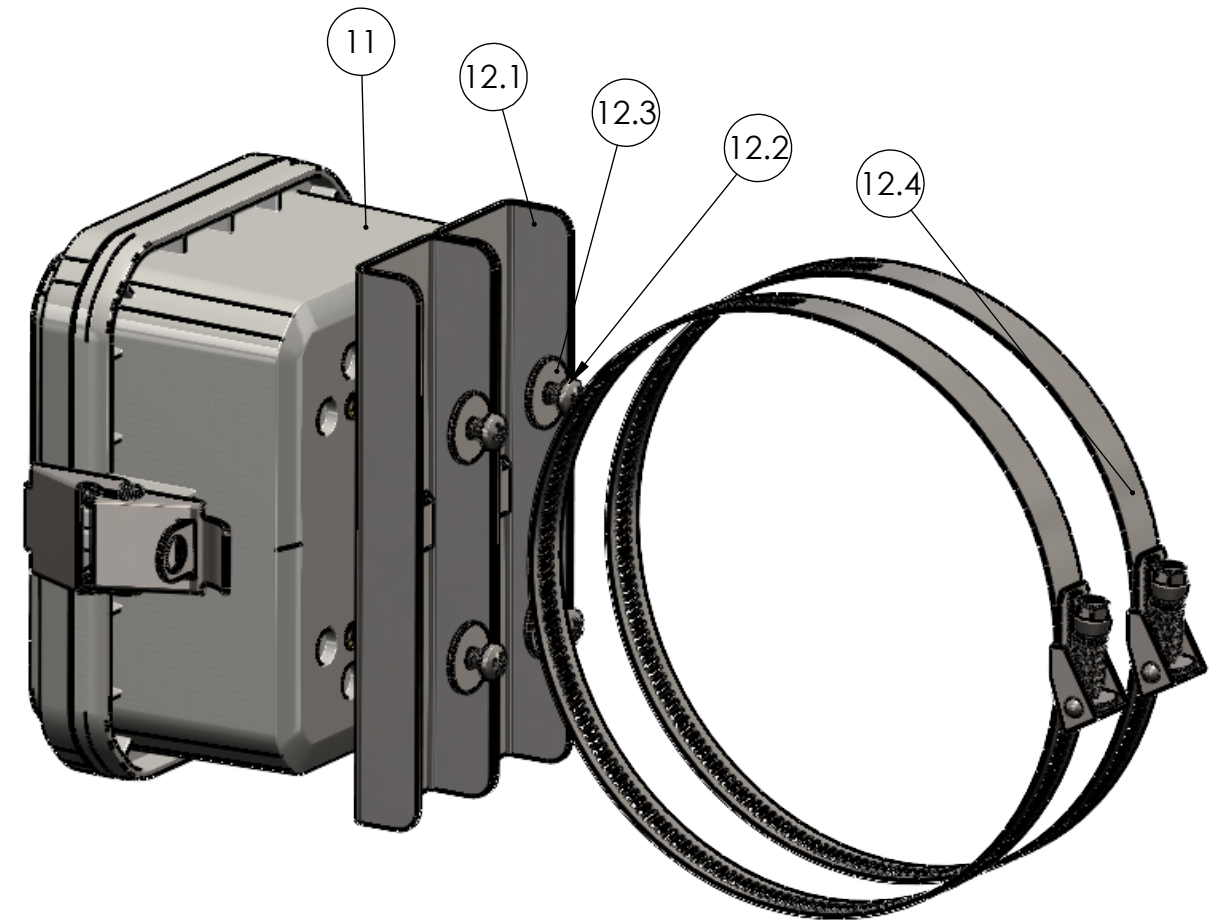


BOM Table					
ITEM NO.	PART NUMBER	Rev.	Description	Material	HP-050403-PKA-W/QTY.
1	HP-050403-01	0	HINGED ENCLOSURE		1
2	PK-067A	0	POLE MOUNT KIT		1
2.1	PK-06C-00	3	MOUNTING CHANNEL	304SS	2
2.2	SCREWS-049	0	10-32 X 3/8 PHILIPS, PAN, SST	SST	4
2.3	W-002	0	FENDER WASHER #10 X .734 X .04	SST	4
2.4	CL-01	1	Hose Clamp, 2" to 12.25" ID, 30 in.-lbs. Max Torque	201 SST, ZINC SCREW	2

BOM Table					
ITEM NO.	PART NUMBER	Rev.	Description	Material	HP-050403-PKA-L/QTY.
11	HP-050403-01	0	HINGED ENCLOSURE		1
12	PK-067A	0	POLE MOUNT KIT		1
12.1	PK-06C-00	3	MOUNTING CHANNEL	304SS	2
12.2	SCREWS-049	0	10-32 X 3/8 PHILIPS, PAN, SST	SST	4
12.3	W-002	0	FENDER WASHER #10 X .734 X .04	SST	4
12.4	CL-01	1	Hose Clamp, 2" to 12.25" ID, 30 in.-lbs. Max Torque	201 SST, ZINC SCREW	2



HP-050403-PKA-W



HP-050403-PKA-L

REV.	DESCRIPTION	ZONE	BY	APPR'D	DATE
	REVISIONS				

UNLESS OTHERWISE SPECIFIED:
 DIMENSIONS ARE IN: INCHES [mm]
 TOLERANCES: ANGULAR: ±2°
 TWO PLACE DECIMAL: ±.010
 THREE PLACE DECIMAL: ±.005
 PRINTED GRAPHICS: ±.010

PROPRIETARY AND CONFIDENTIAL
 THE INFORMATION CONTAINED IN THIS
 DRAWING IS THE SOLE PROPERTY OF
 POLYCASE. ANY REPRODUCTION IN PART
 OR AS A WHOLE WITHOUT THE WRITTEN
 PERMISSION OF POLYCASE IS PROHIBITED.
 CAD FILE: HP-050403-PKA

PART NO.
 HP-050403-PKA
 MATERIAL

FLAME RATING

DRAWN	NAME	DATE
CHECKED	B.M.B.	10/17/2023

polycase
 1305 CHESTER IND. PARKWAY AVON, OHIO 44011-1083 U.S.A.
 PH#: 1-800-248-1233, 440-934-0444 FAX#: 440-934-0088

ENCLOSURE W/POLE
 MOUNT KIT

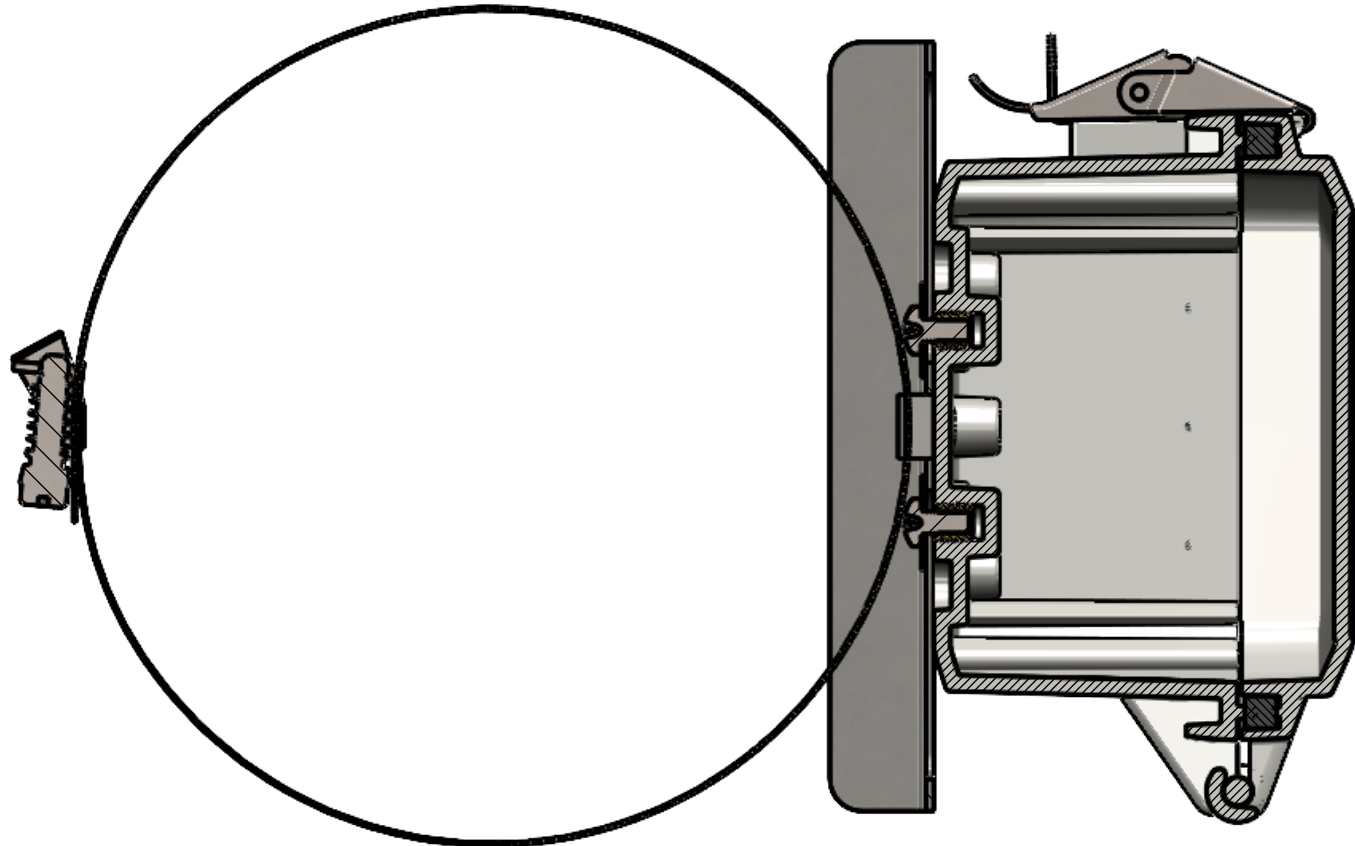
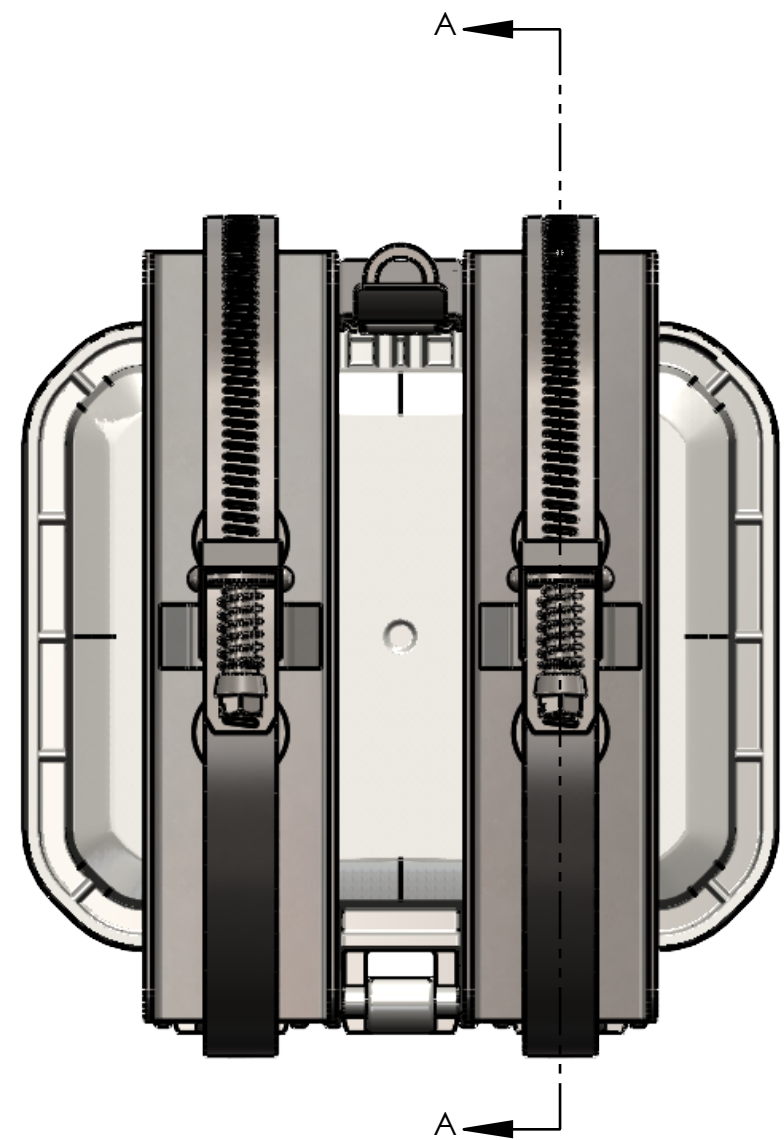
SCALE: 1:2

REV
0

SHEET 1 OF 2



8 7 6 5 4 3 2 1

D
C
B
A



SECTION A-A

8 7 6 5 4 3 2 1

UNLESS OTHERWISE SPECIFIED: DIMENSIONS ARE IN: INCHES [mm] TOLERANCES: ANGULAR: ±2° TWO PLACE DECIMAL: ±.010 THREE PLACE DECIMAL: ±.005 PRINTED GRAPHICS: ±.010	PART NO. HP-050403-PKA		 <small>1305 CHESTER IND. PARKWAY AVON, OHIO 44011-1083 U.S.A. PH#: 1-800-248-1233, 440-934-0444 FAX#: 440-934-0088</small>		
	MATERIAL				
PROPRIETARY AND CONFIDENTIAL THE INFORMATION CONTAINED IN THIS DRAWING IS THE SOLE PROPERTY OF POLYCASE. ANY REPRODUCTION IN PART OR AS A WHOLE WITHOUT THE WRITTEN PERMISSION OF POLYCASE IS PROHIBITED. CAD FILE: HP-050403-PKA	FLAME RATING		SIZE B	ENCLOSURE W/POLE MOUNT KIT	REV 0
	DRAWN D.M.F.	NAME D.M.F.	DATE 10/17/2023	SCALE: 1:1.5	
	CHECKED B.M.B.	NAME B.M.B.	DATE 10/17/2023		