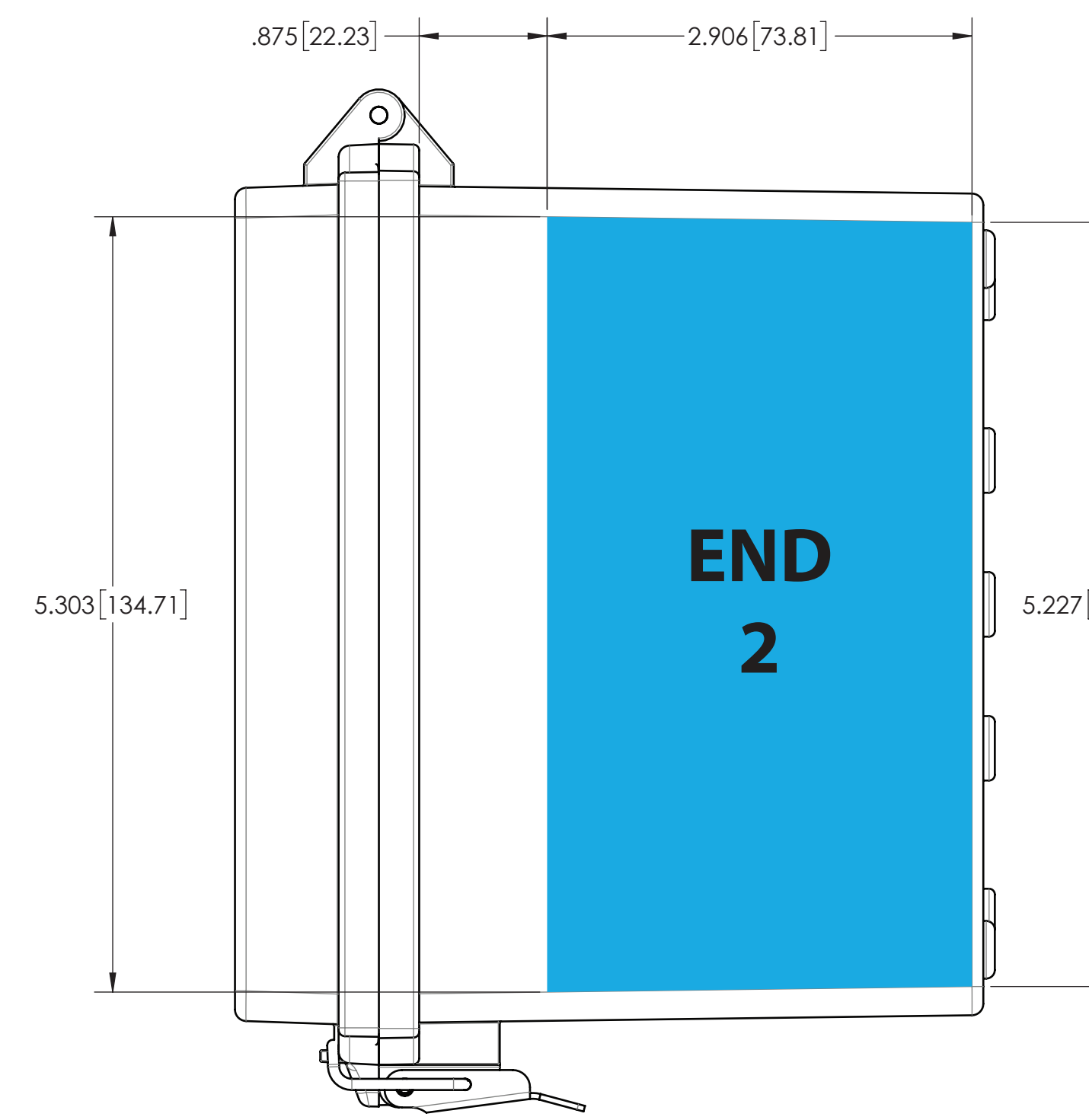
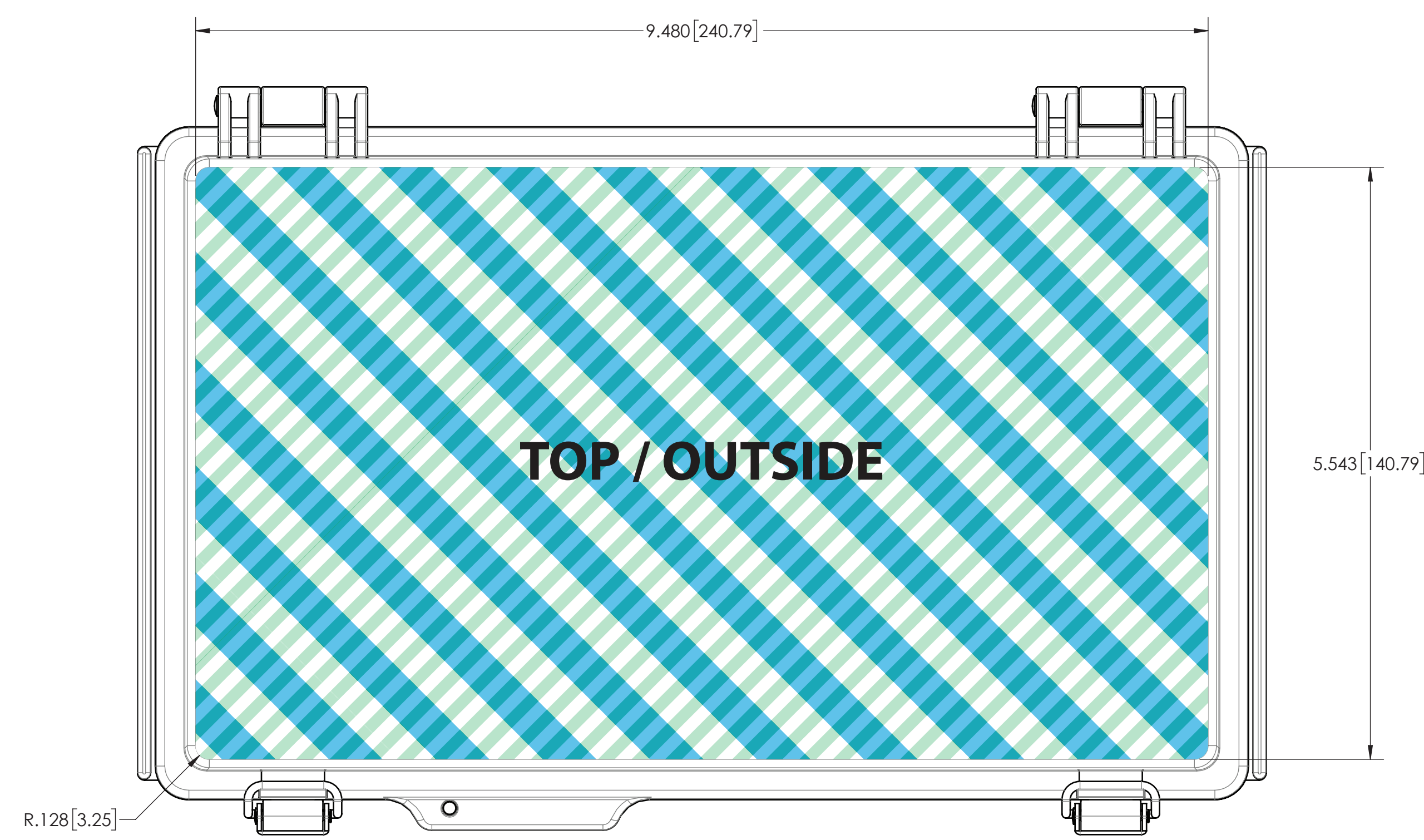
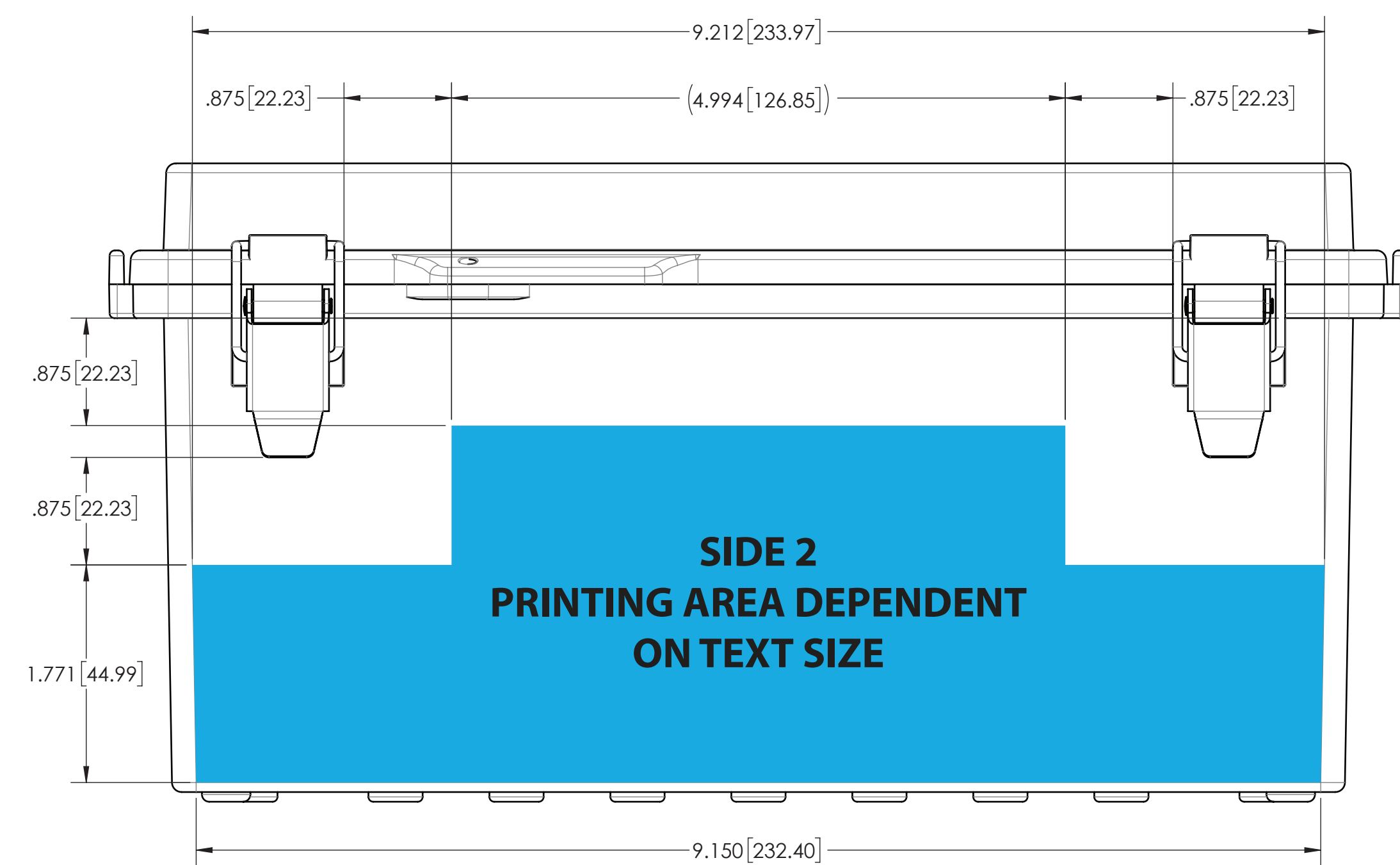
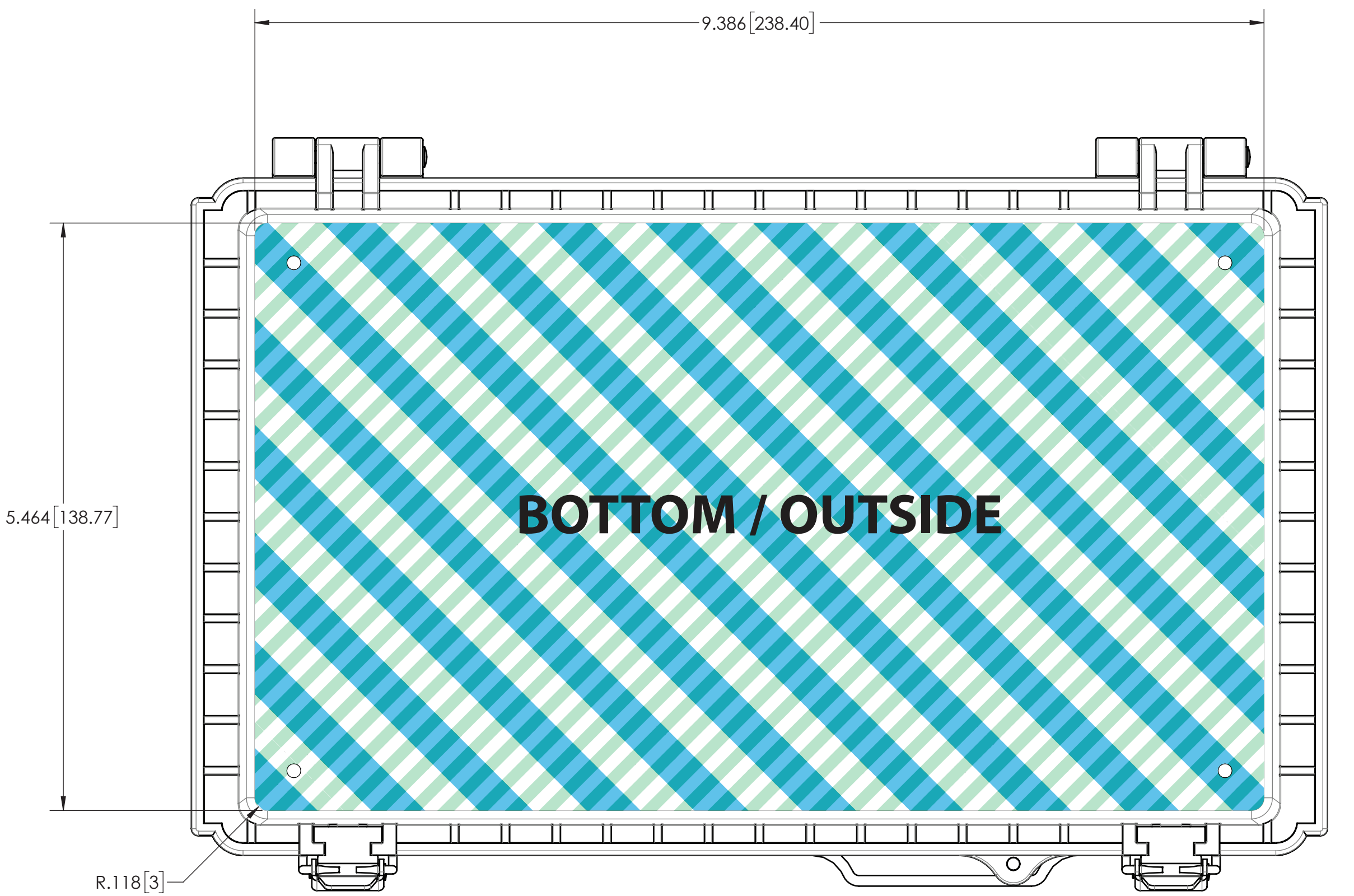


PRINTING AREA DEPENDENT ON TEXT SIZE



PRINTING AREA DEPENDENT ON TEXT SIZE



INSIDE - CONTACT POLYCASE



- PAD PRINT ELIGIBLE

- UV PRINT ELIGIBLE

DIMENSIONS ARE IN INCHES [MM] PRODUCT: WQ-51S

PRINTABLE AREA IS SUBJECT TO CHANGE

MINIMUM LINE THICKNESS .007" [0.18]

DRAWN K.W.B. DATE 4/20/2023

SCALE: 1:1