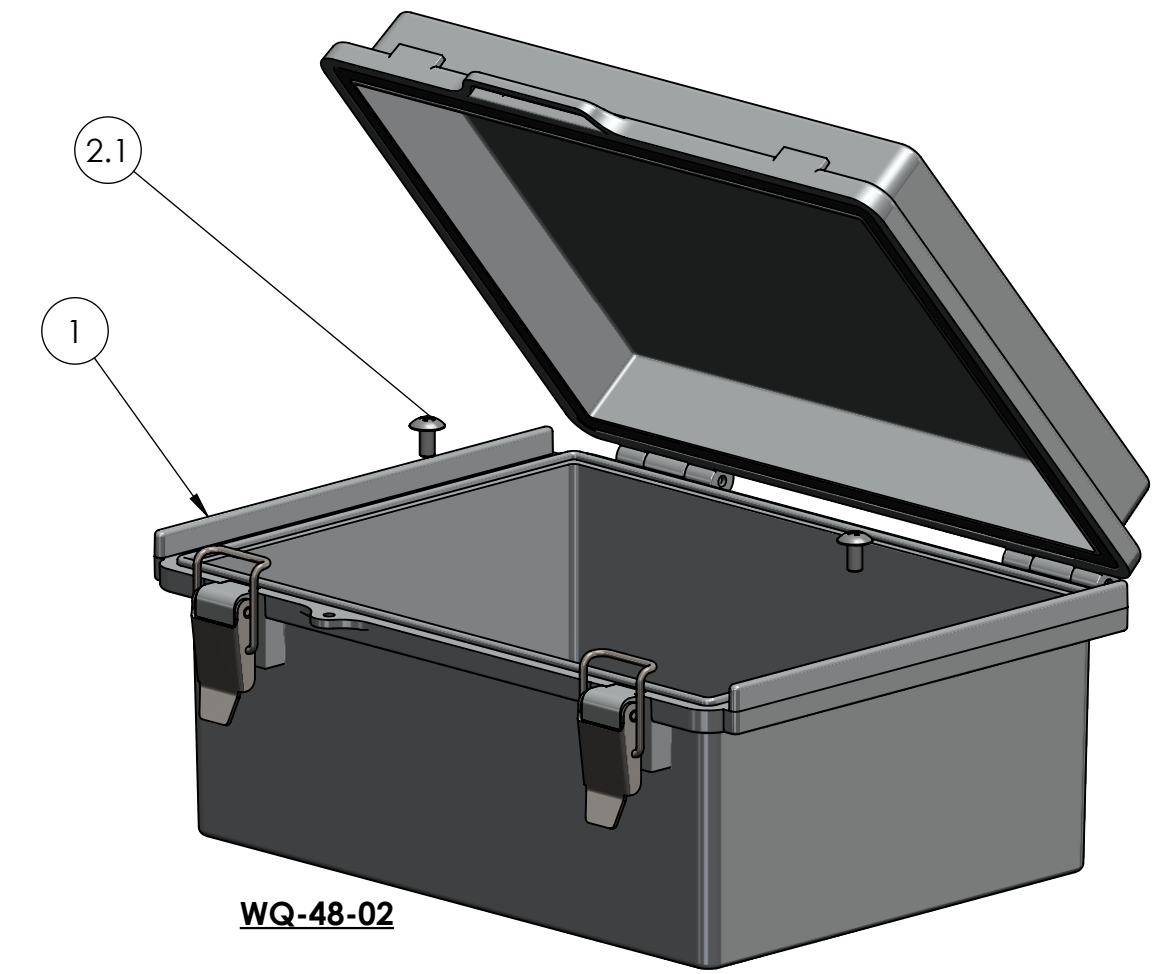
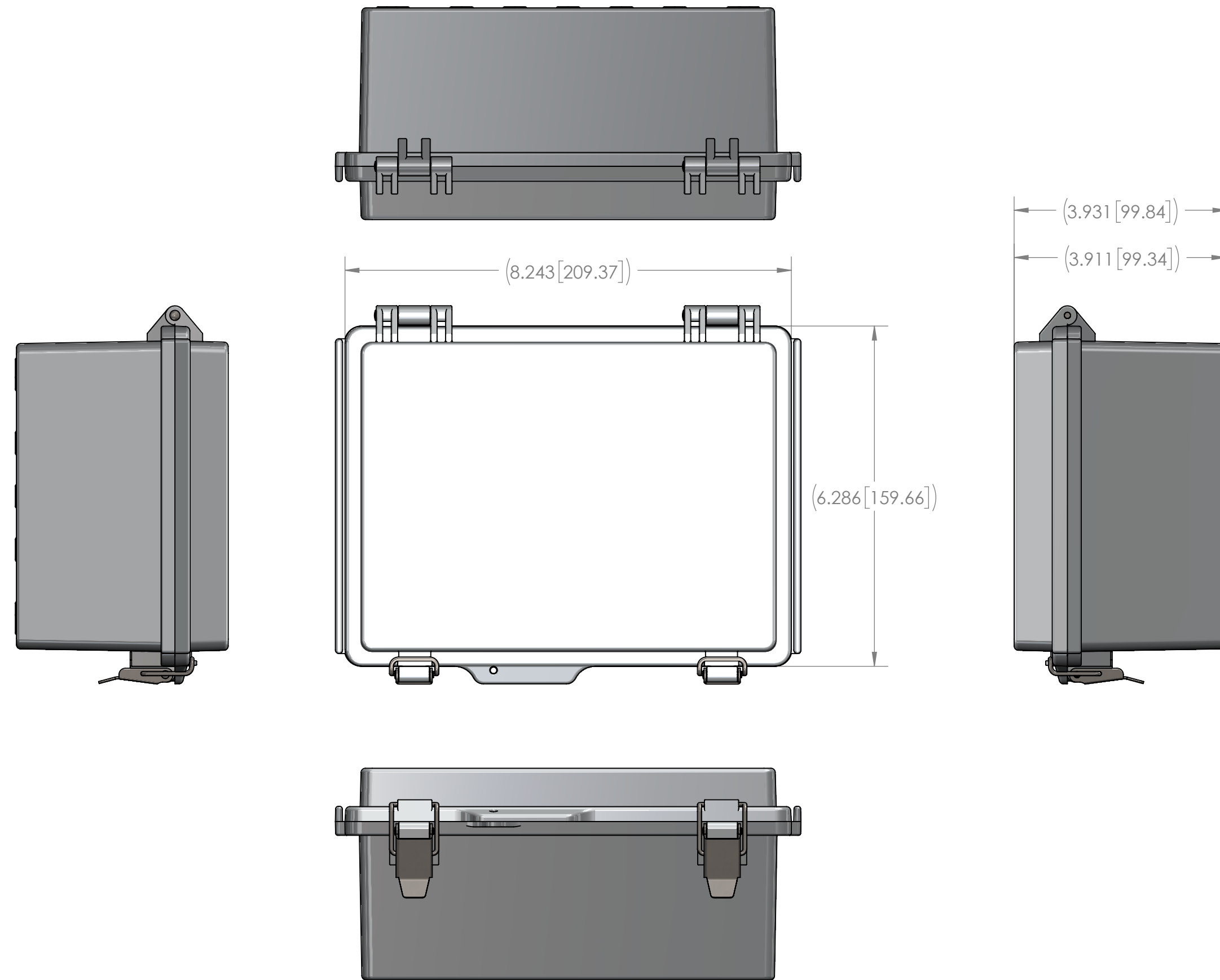
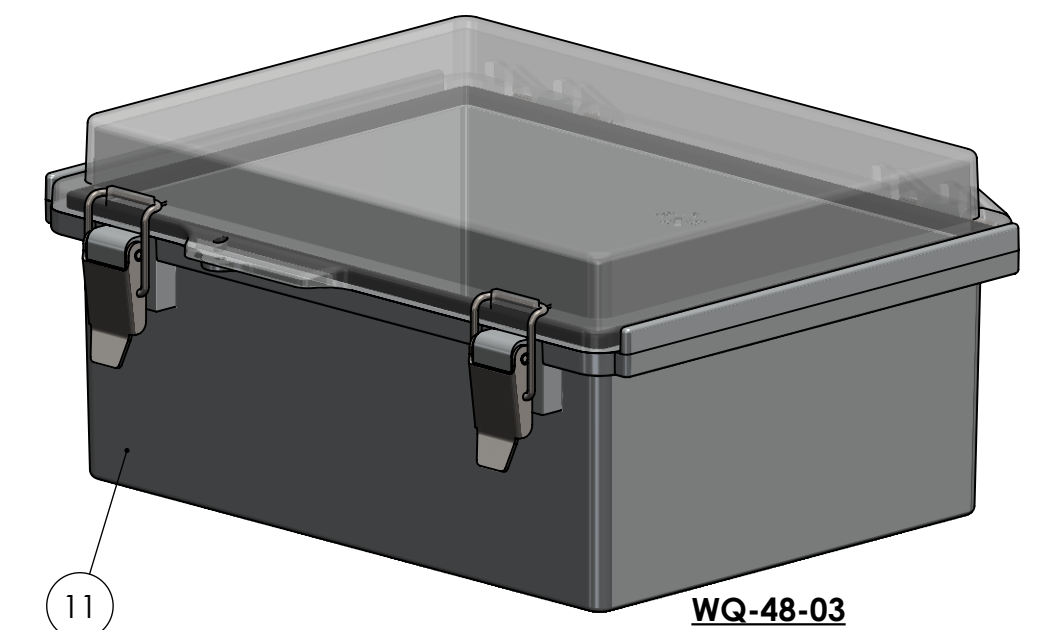


BOM Table					
ITEM NO.	PART NUMBER	Rev.	Description	FlameRating	QTY.
1	WQ-48S-02	-	Hinged Nema Enclosure-Outdoor Use	UL94-5VA	1
2	SCREWS-025-002	-	HARDWARE KIT		1
2.1	SCREWS-025	-	M4X0.7 x 8mm CROSS TRUSS HEAD SCREW		2



BOM Table					
ITEM NO.	PART NUMBER	Rev.	Description	FlameRating	QTY.
11	WQ-48S-03	-	Hinged Nema Enclosure-Outdoor Use	UL94-5VA	1
12	SCREWS-025-002	-	HARDWARE KIT		1
12.1	SCREWS-025	-	M4X0.7 x 8mm CROSS TRUSS HEAD SCREW		2



REV.	DESCRIPTION	ZONE	BY	APPR'D	DATE
REVISIONS					

UNLESS OTHERWISE SPECIFIED:  
 DIMENSIONS ARE IN: INCHES[mm]  
 TOLERANCES: ANGULAR: ±2°  
 TWO PLACE DECIMAL: ±.010  
 THREE PLACE DECIMAL: ±.005  
 PRINTED GRAPHICS: ±.010

PROPRIETARY AND CONFIDENTIAL  
 THE INFORMATION CONTAINED IN THIS  
 DRAWING IS THE SOLE PROPERTY OF  
 POLYCASE. ANY REPRODUCTION IN PART  
 OR AS A WHOLE WITHOUT THE WRITTEN  
 PERMISSION OF POLYCASE IS PROHIBITED.  
 CAD FILE: WQ-48

PART NO.  
**WQ-48-02**  
 MATERIAL

FLAME RATING

SIZE  
**C**

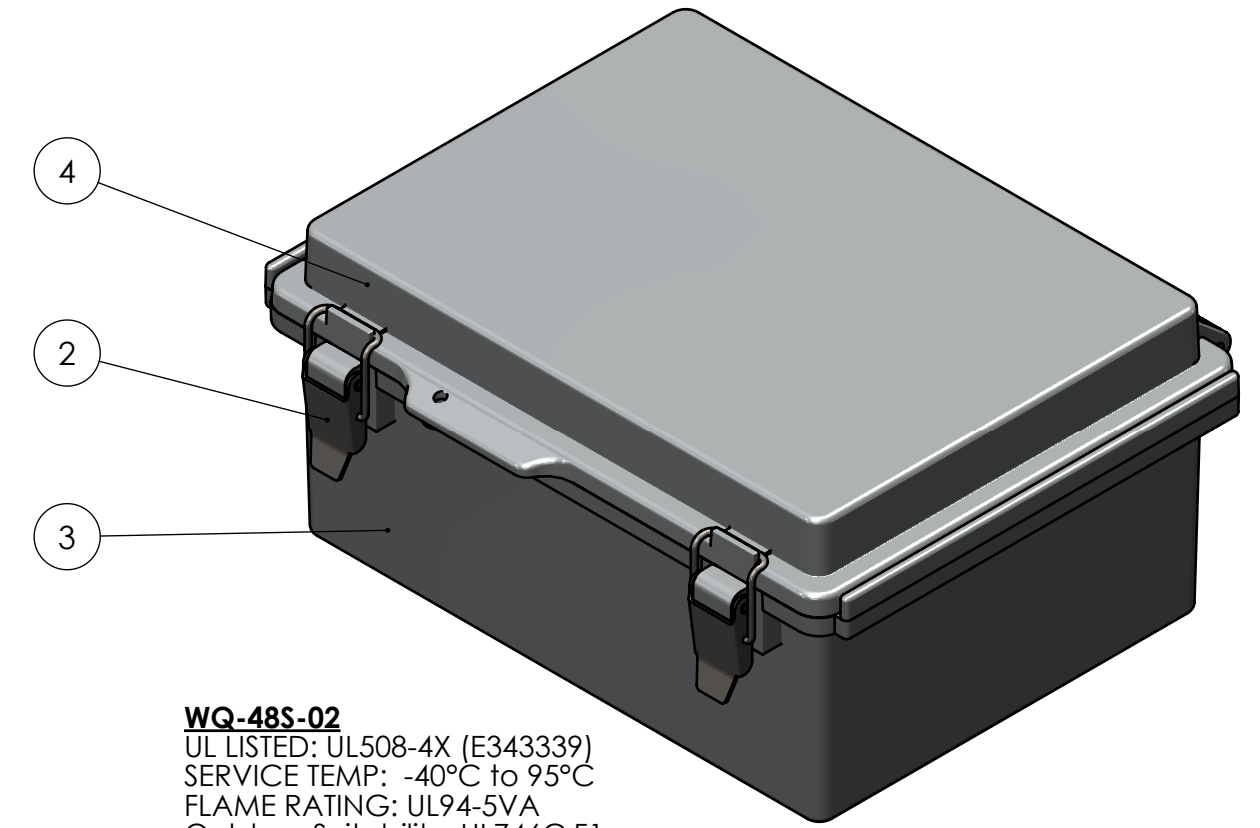
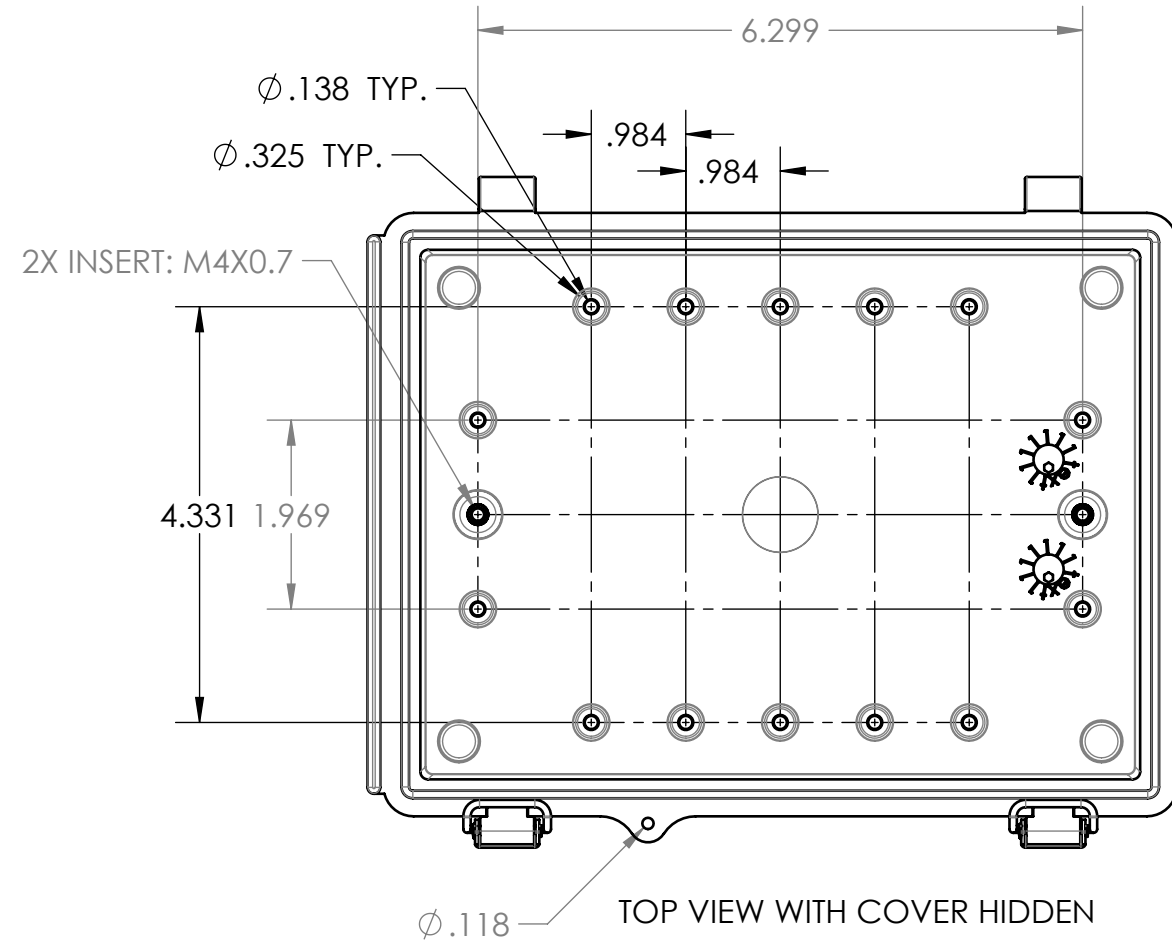
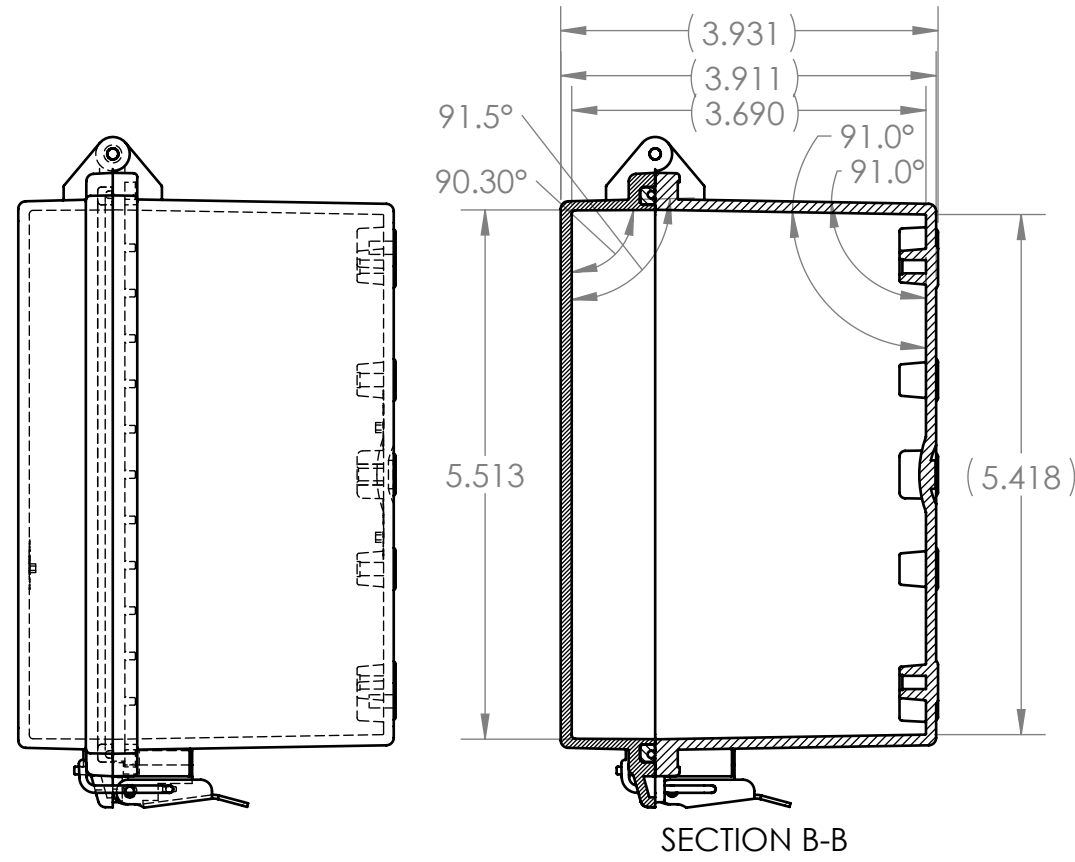
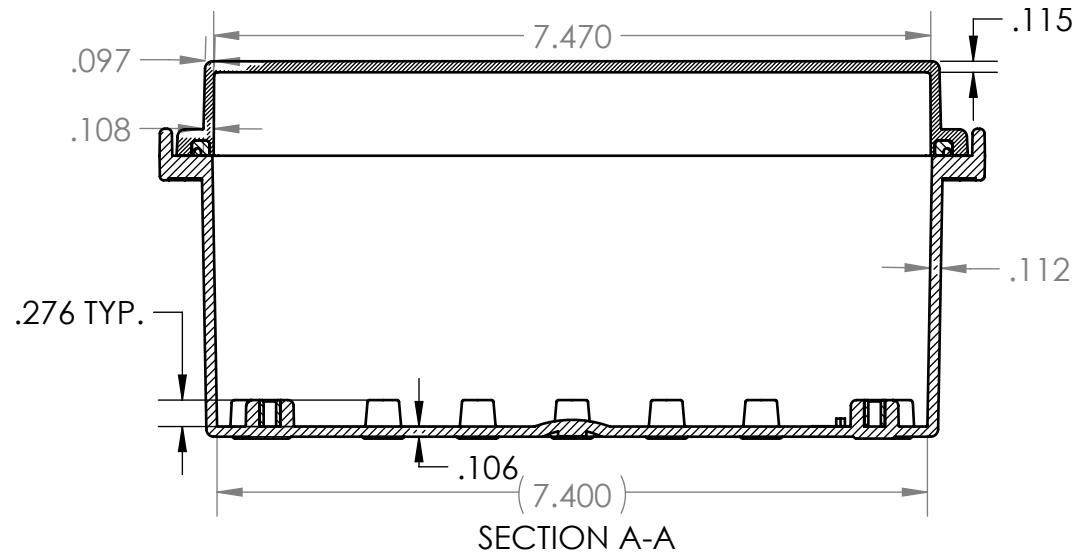
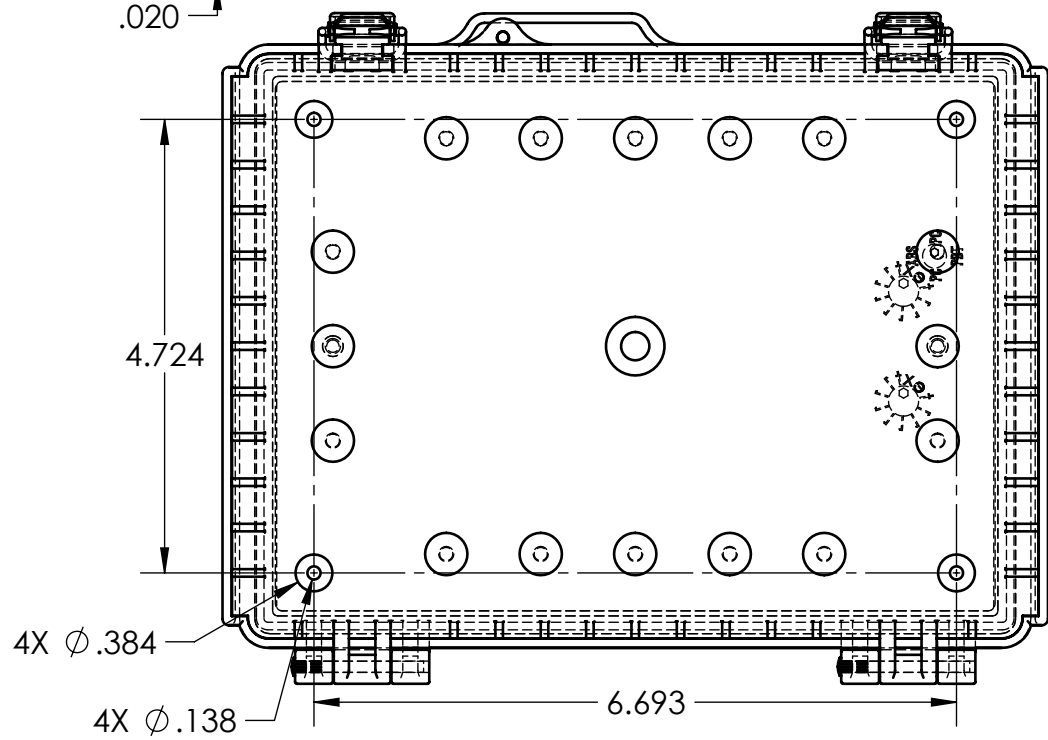
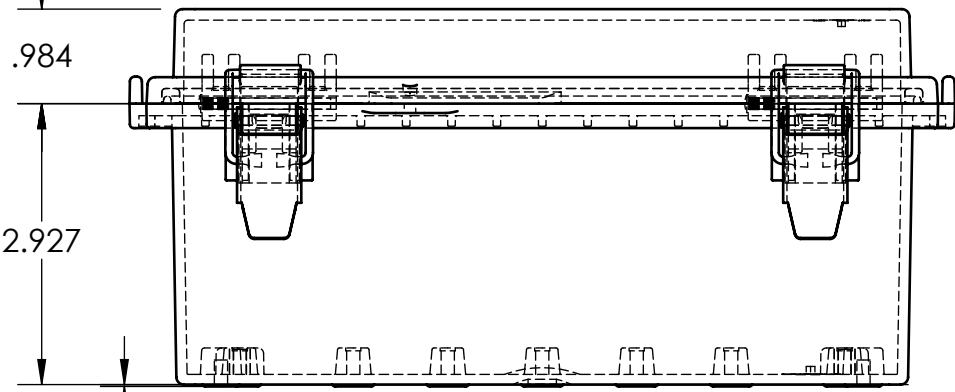
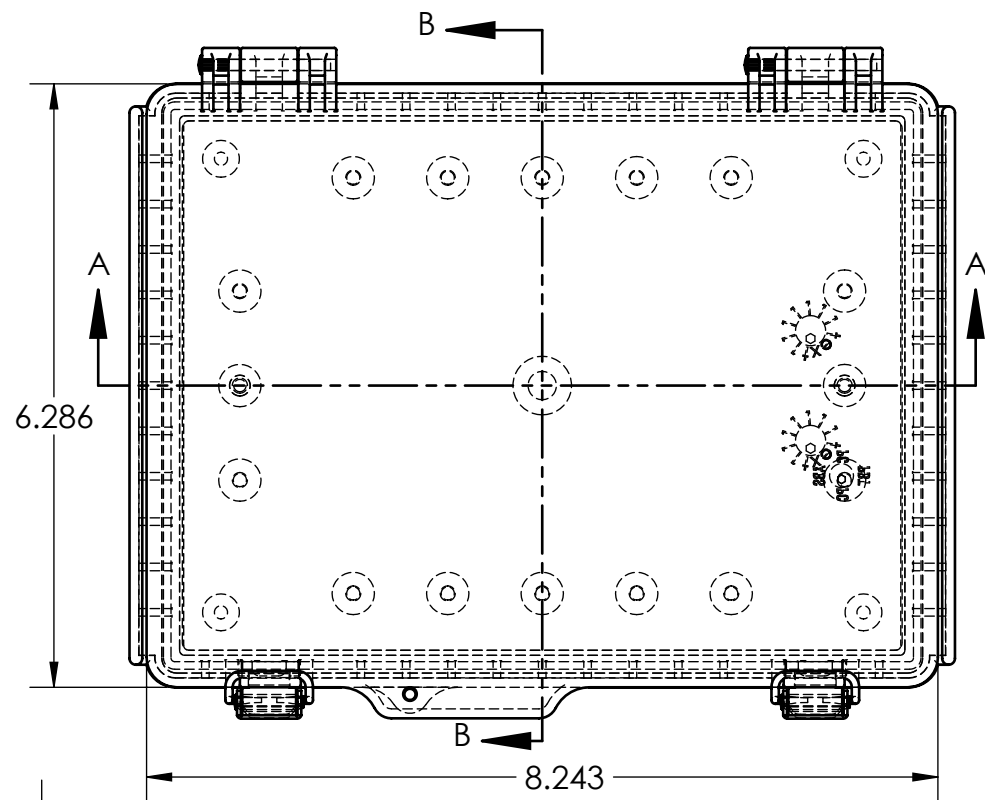
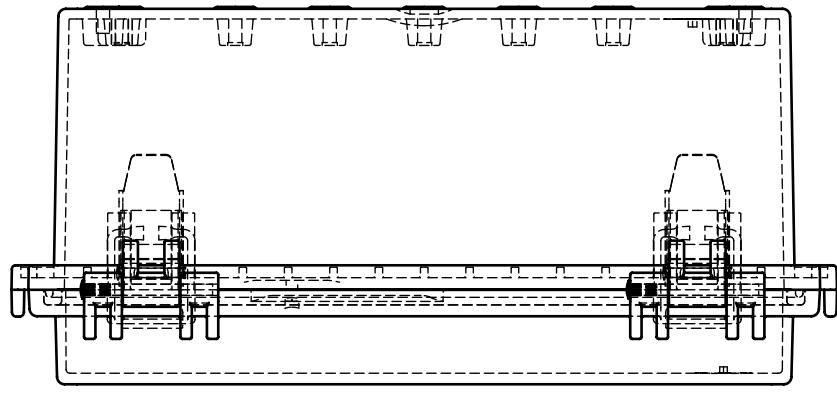
SCALE: 1:2

SHEET 1 OF 1

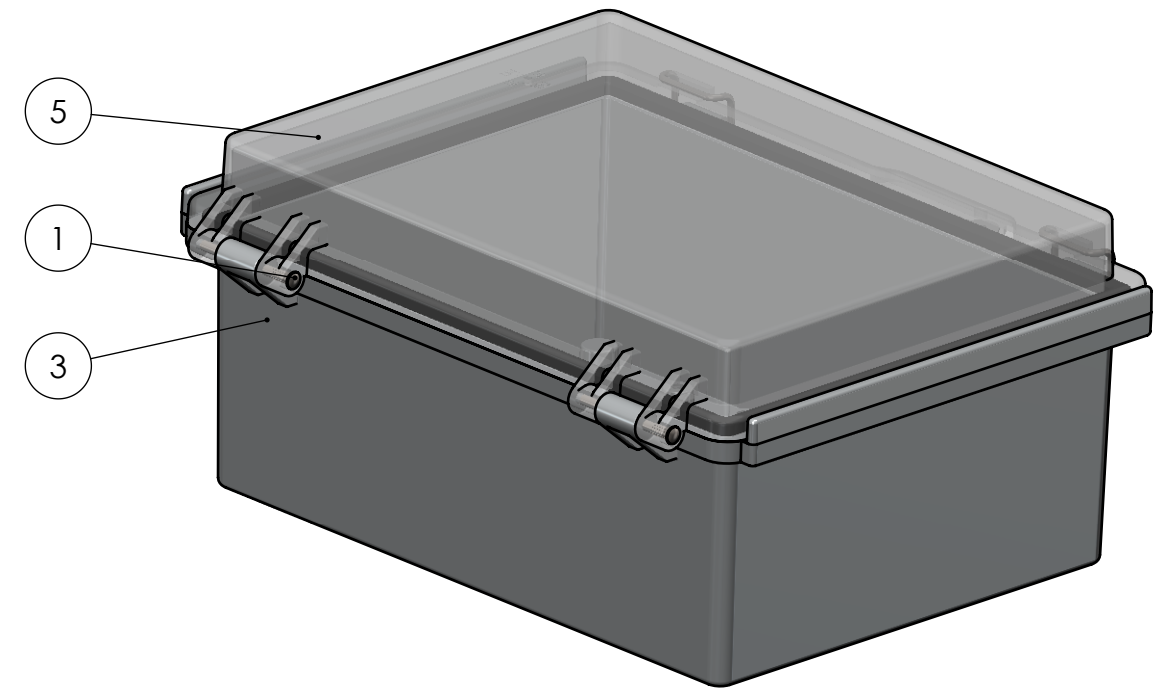
1305 CHESTER RD. PARKWAY AVON, OHIO 44011-1083 U.S.A.  
 PH: 1-800-248-1233, 440-934-0444 FAX: 440-934-0088

2/21/2020  
 3/24/2020

BOM Table							
ITEM NO.	PART NUMBER	Rev.	Description	Material	Color	WQ-48S-02/QTY.	WQ-48S-03/QTY.
1	WQ-PIN-01	-	HINGE PIN		-	2	2
2	WQ-50L-01	-	LATCH ASSEMBLY	-		2	2
3	WQ-48B-02	-	BASE	GFR10/PC	GRAY	1	1
4	WQ-48C-02	-	COVER W/GASKET	PC	GRAY	1	-
5	WQ-48C-03	-	COVER W/GASKET	PC	CLEAR	-	1



**WQ-48S-02**  
 UL LISTED: UL508-4X (E343339)  
 SERVICE TEMP: -40°C to 95°C  
 FLAME RATING: UL94-5VA  
 Outdoor Suitability: UL746C F1



**WQ-48S-03**  
 UL LISTED: UL508-4X (E343339)  
 SERVICE TEMP: -40°C to 95°C  
 FLAME RATING: UL94-5VA  
 Outdoor Suitability: UL746C F1

UNLESS OTHERWISE SPECIFIED: DIMENSIONS ARE IN: INCHES[mm] TOLERANCES: ANGULAR: ±° TWO PLACE DECIMAL: ±. THREE PLACE DECIMAL: ±. PRINTED GRAPHICS: ±.		PART NO. WQ-48S-02		MATERIAL	
PROPRIETARY AND CONFIDENTIAL THE INFORMATION CONTAINED IN THIS DRAWING IS THE SOLE PROPERTY OF POLYCASE. ANY REPRODUCTION IN PART OR AS A WHOLE WITHOUT THE WRITTEN PERMISSION OF POLYCASE IS PROHIBITED. CAD FILE: WQ-48S		FLAME RATING UL94-5VA		SIZE C	
DRAWN CHECKED		NAME D.M.F. C.C.B.		DATE 2/21/2020 3/24/2020	
SCALE: 1:2		Hinged Nema Enclosure- Outdoor Use		REV -	
SHEET 1 OF 1					

REV.	DESCRIPTION	ZONE	BY	APPR'D	DATE
REVISIONS					