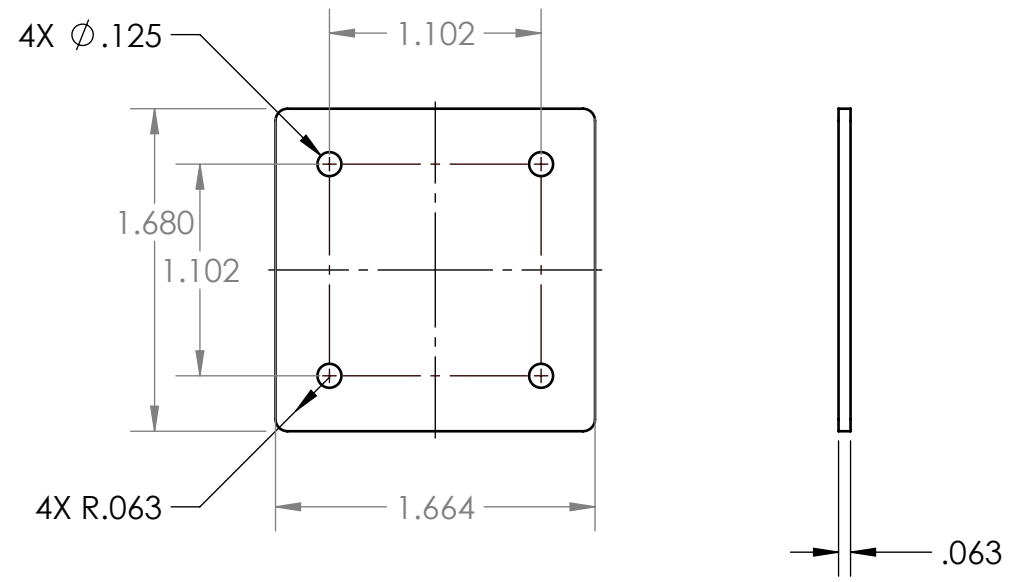

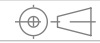


8 7 6 5 4 3 2 1

D
C
B
A



UNLESS OTHERWISE SPECIFIED: DIMENSIONS ARE IN: INCHES[mm] TOLERANCES: ANGULAR: ±2° TWO PLACE DECIMAL: ±.010 THREE PLACE DECIMAL: ±.005 PRINTED GRAPHICS: ±.010	PART NO. SN-21-PCB		 <small>1305 CHESTER IND. PARKWAY AVON, OHIO 44011-1083 U.S.A. PH#: 1-800-248-1233, 440-934-0444 FAX#: 440-934-0088</small>														
	MATERIAL																
PROPRIETARY AND CONFIDENTIAL THE INFORMATION CONTAINED IN THIS DRAWING IS THE SOLE PROPERTY OF POLYCASE. ANY REPRODUCTION IN PART OR AS A WHOLE WITHOUT THE WRITTEN PERMISSION OF POLYCASE IS PROHIBITED. CAD FILE: SN-21-PCB	FLAME RATING	SIZE B	PCB TEMPLATE														
	DRAWN	NAME	DATE														
	CHECKED	D.M.F.	2/14/2024														
<table border="1"> <thead> <tr> <th>REV.</th> <th>DESCRIPTION</th> <th>ZONE</th> <th>BY</th> <th>APPR'D</th> <th>DATE</th> </tr> </thead> <tbody> <tr> <td colspan="6" style="text-align: center;">REVISIONS</td> </tr> </tbody> </table>		REV.	DESCRIPTION	ZONE	BY	APPR'D	DATE	REVISIONS						SCALE: 1:1		REV -	SHEET 1 OF 1
REV.	DESCRIPTION	ZONE	BY	APPR'D	DATE												
REVISIONS																	

8 7 6 5 4 3 2 1