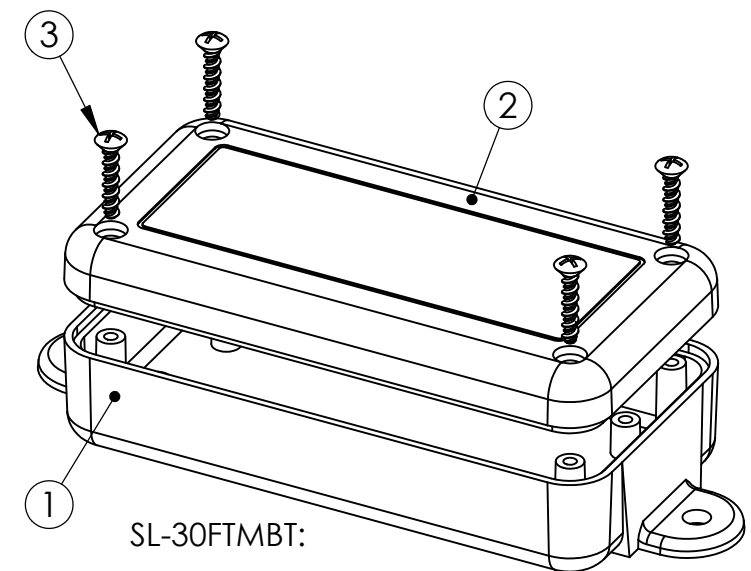
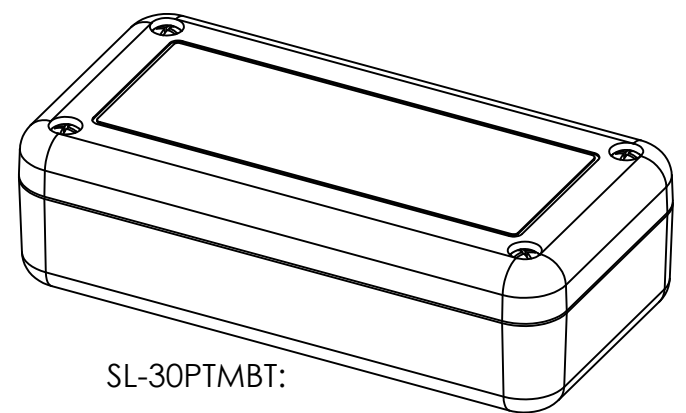
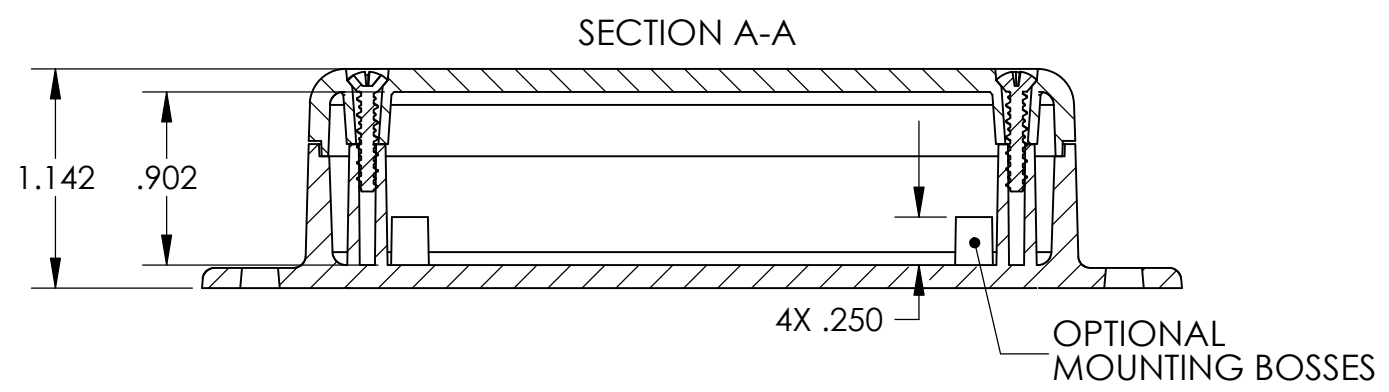


ITEM NO.	PART NUMBER	DESCRIPTION	QTY.
1	SL-30B	BASE	1
2	SL-30C	COVER	1
3	SCREWS-HL5/8-B	ASS'Y SCREWS	4

SL-30*****

ENCLOSURE OPTIONS	
CODE	DESCRIPTION
OMIT	COLOR: BLACK
*01	COLOR: GRAY
*03	COLOR: BONE
T	COVER: TEXTURED FLUSH
R	COVER: RECESSED SMOOTH
MB	BASE: WITH MOUNTING BOSSES
XX	BASE: WITHOUT MOUNTING BOSSES
T	BASE: TEXTURED FLUSH
R	BASE: RECESSED SMOOTH
P	BASE: PLAIN, WITHOUT MOUNTING FLANGES
F	BASE: WITH MOUNTING FLANGES



BASE INSERT AREA:
 TEXTURED FLUSH OR
 RECESSED SMOOTH ∇.030
 (TEXTURED FLUSH WITHOUT FLANGES SHOWN)
 (RECESSED SMOOTH INSERT AREA ONLY AVAILABLE ON BASE WITHOUT FLANGES)
 (FLANGED BASE DOESN'T HAVE A "GUTTER" AROUND INSERT AREA)

NOTE:
 1.) PC BOARD BOSSES WILL ACCEPT A
 #4 X 1/4" THREAD FORMING SCREW.
 (SCREWS AVAILABLE FROM POLYCASE)

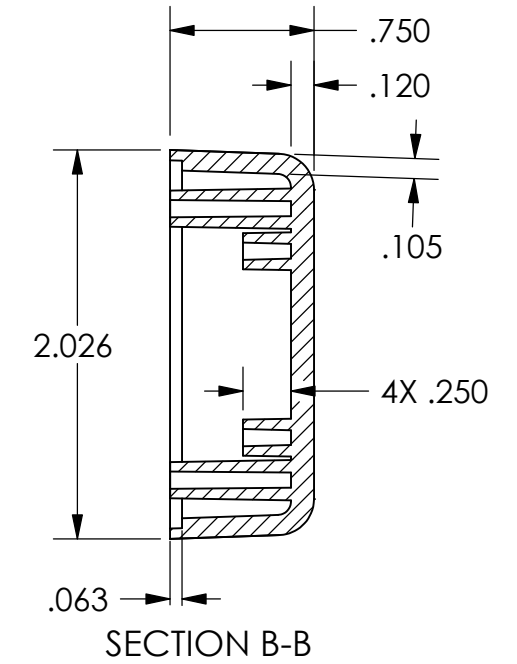
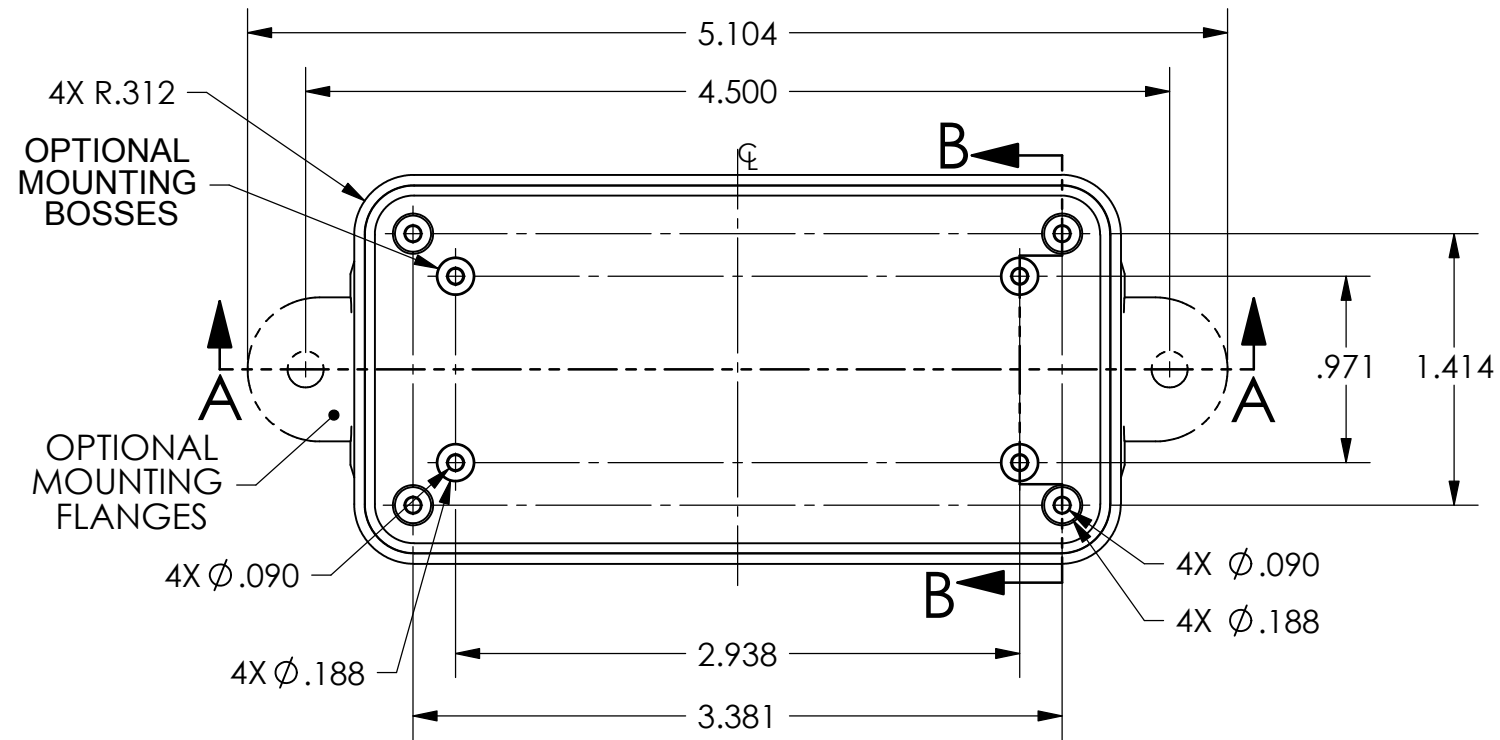
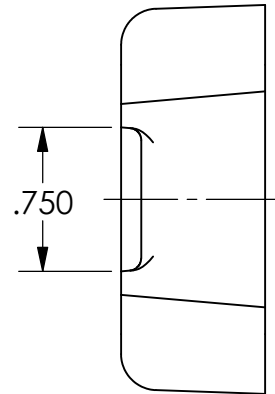
SHEET 1 OF 1

DRWN BY D.M.F.	APP. BY B.B.	SCALE: 1:1	DATE: 5/5/05
JOB NO: -		PRODUCT: SL-30_ASS'Y	
CUSTOMER: -			SIZE: B
TITLE: PRODUCT DETAIL DRAWING			

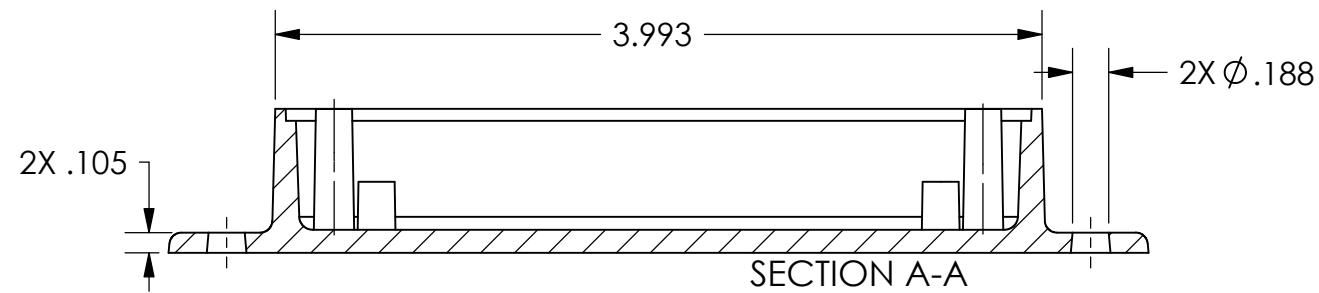
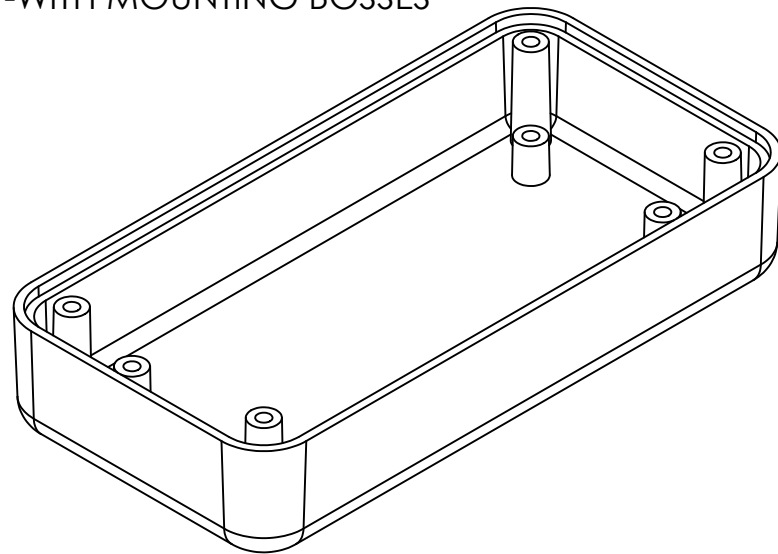
TOLERANCES UNLESS OTHERWISE SPECIFIED:
 X.XX ±.030
 X.XXX ±.015

1305 CHESTER IND. PARKWAY AVON, OHIO 44011-1083 U.S.A.
 PH#: 1-800-248-1233, 440-934-0444 FAX#: 440-934-0088

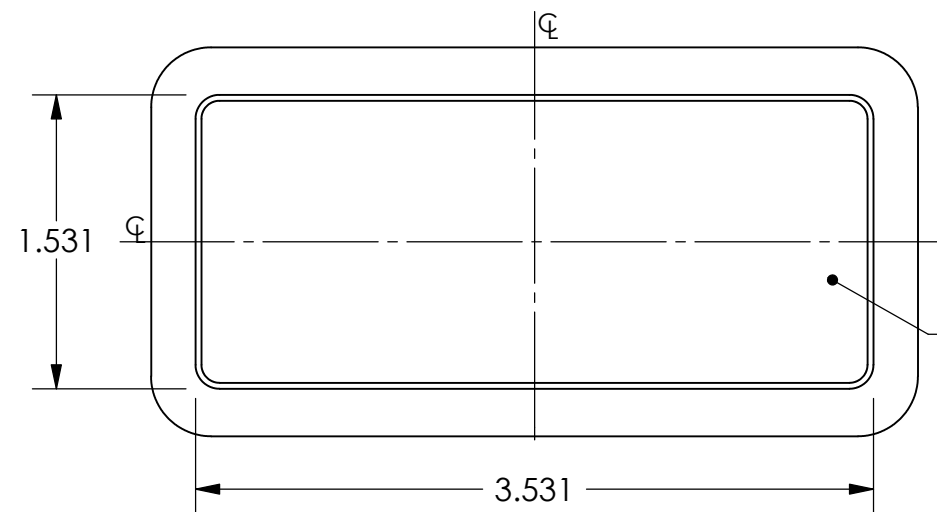
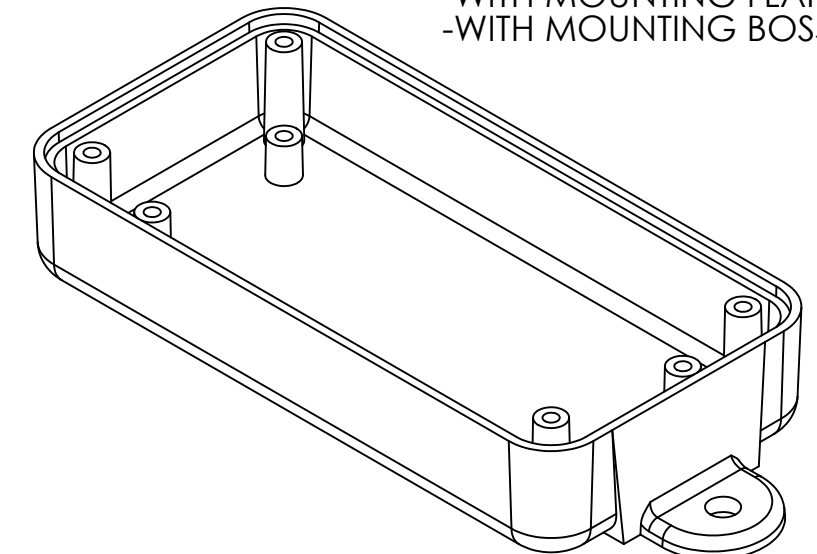
THIS DRAWING AND THE INFORMATION CONTAINED ARE THE PROPERTY OF POLYCASE AND ARE NOT TO BE REPRODUCED, COPIED OR USED IN ANY WAY DETRIMENTAL TO THE INTEREST OF POLYCASE



SL-30BPMBT:
 -WITHOUT MOUNTING FLANGES
 -TEXTURED INSERT AREA
 -WITH MOUNTING BOSSES



SL-30BFMBT:
 -WITH MOUNTING FLANGES
 -WITH MOUNTING BOSSES

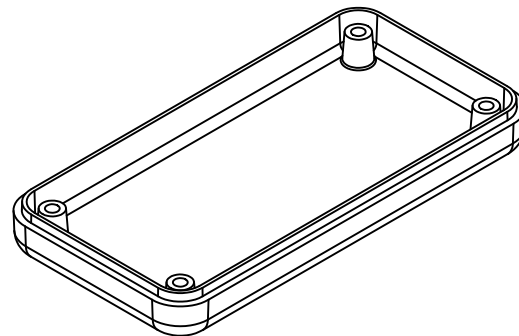
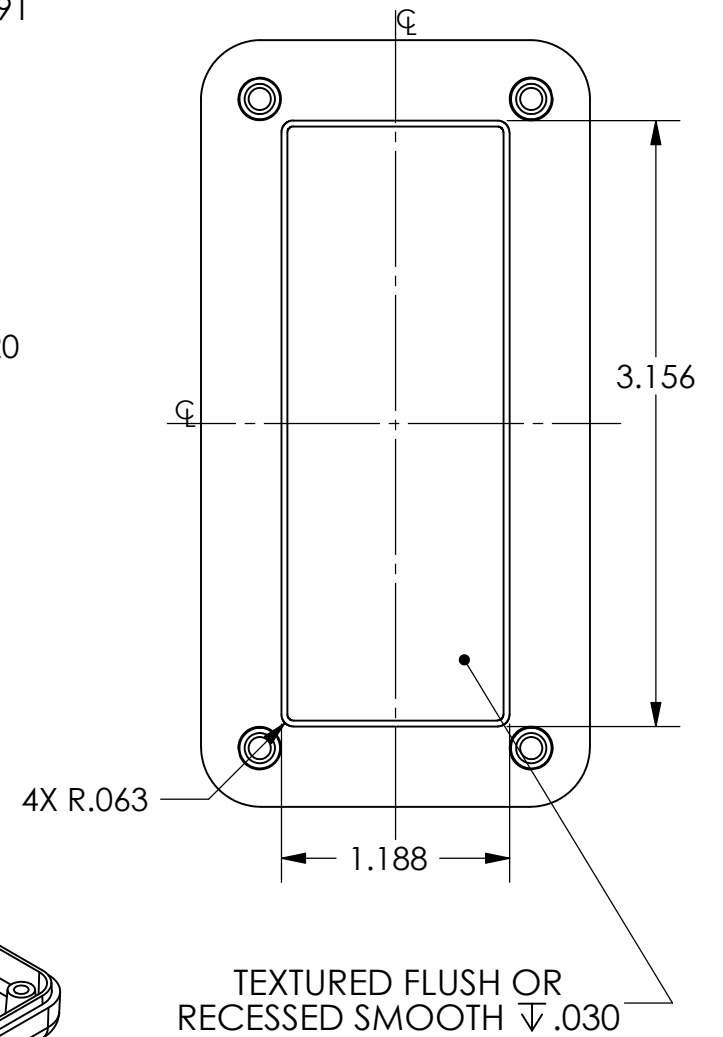
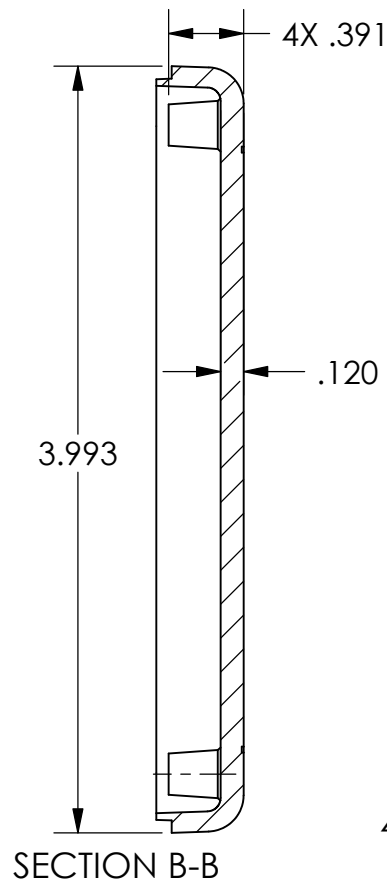
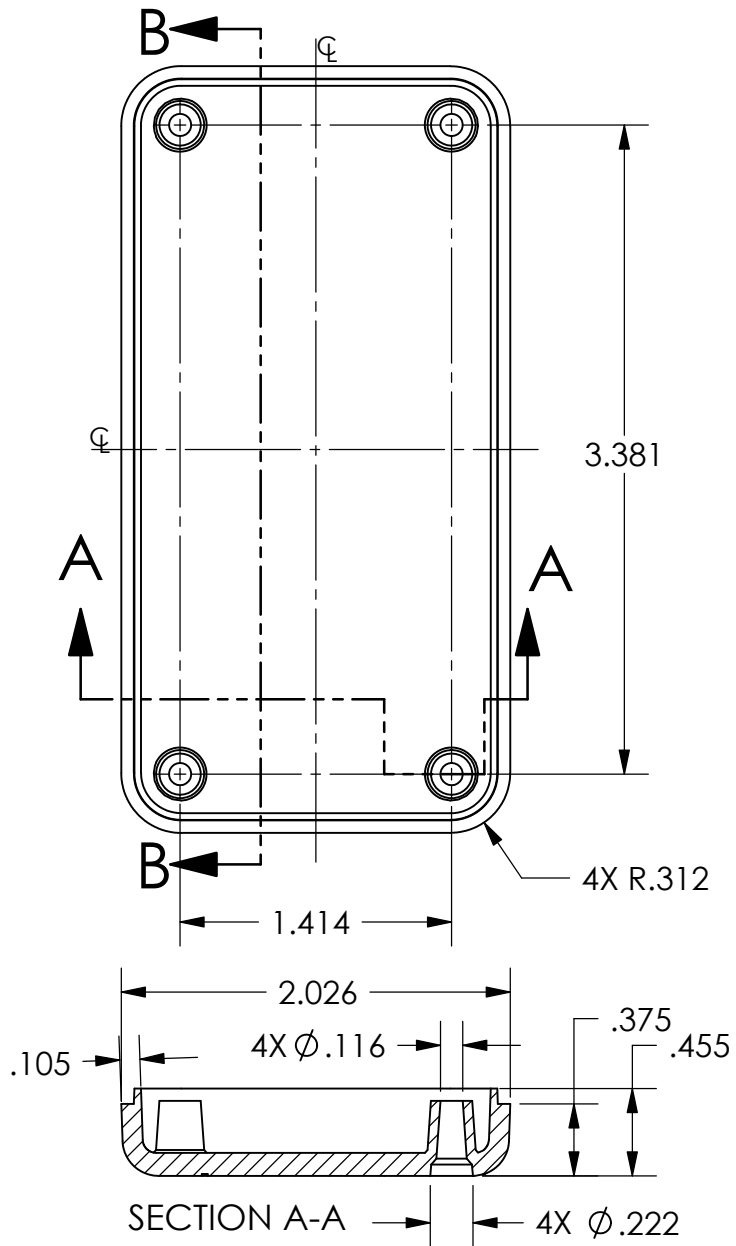


INSERT AREA:
 TEXTURED FLUSH OR
 RECESSED SMOOTH ∇ .030
 (TEXTURED FLUSH SHOWN)
 (RECESSED SMOOTH ONLY AVAILABLE WITHOUT FLANGES)
 (FLANGED BASE DOESN'T HAVE A "GUTTER" AROUND INSERT AREA)

NOTE:
 1.) PC BOARD WILL ACCEPT A
 #4 X 1/4" THREAD FORMING SCREW.
 (SCREWS AVAILABLE FROM POLYCASE)

SHEET 1 OF 1

	DRWN BY D.M.F.	APP. BY B.B.	SCALE: 1:1	DATE: 5/5/05
	JOB NO: -		PRODUCT: SL-30B	
	CUSTOMER: -			SIZE: B
	TITLE: PRODUCT DETAIL DRAWING			
<small> TOLERANCES UNLESS OTHERWISE SPECIFIED: X.XX ±.030 X.XXX ±.015 </small>				
<small> 1305 CHESTER IND. PARKWAY AVON, OHIO 44011-1083 U.S.A. PH#: 1-800-248-1233, 440-934-0444 FAX#: 440-934-0088 THIS DRAWING AND THE INFORMATION CONTAINED ARE THE PROPERTY OF POLYCASE AND ARE NOT TO BE REPRODUCED, COPIED OR USED IN ANY WAY DETRIMENTAL TO THE INTEREST OF POLYCASE </small>				



SHEET 1 OF 1

 POLYCASE YOUR PERFECT FIT	DRWN BY D.M.F.	APP. BY B.B.	SCALE: 1:1	DATE: 5/5/05
	JOB NO: -		PRODUCT: SL-30C	
TOLERANCES UNLESS OTHERWISE SPECIFIED: X.XX ±.030 X.XXX ±.015	1305 CHESTER IND. PARKWAY AVON, OHIO 44011-1083 U.S.A. PH#: 1-800-248-1233, 440-934-0444 FAX#: 440-934-0088			CUSTOMER: -
THIS DRAWING AND THE INFORMATION CONTAINED ARE THE PROPERTY OF POLYCASE AND ARE NOT TO BE REPRODUCED, COPIED OR USED IN ANY WAY DETRIMENTAL TO THE INTEREST OF POLYCASE			SIZE: A	
TITLE: PRODUCT DETAIL DRAWING				