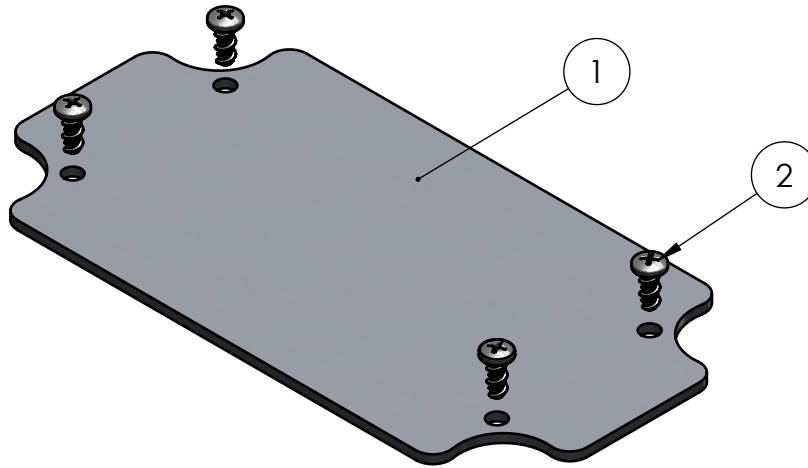


BOM Table					
ITEM NO.	PART NUMBER	Rev.	Description	Material	QTY.
1	HX-24P-01	-	MOUNTING PANEL	AL 5052-H32	1
2	SCREWS-MBR	-.01	#4-24 HI-LO X .25 THREAD FORMING, PHILLIPS, PAN HEAD, SCREW	AISI 1019-1022	4



NOTES:  
1. FITS BASE AND COVER

UNLESS OTHERWISE SPECIFIED:  
DIMENSIONS ARE IN: INCHES [mm]  
TOLERANCES: ANGULAR: ±2°  
TWO PLACE DECIMAL: ±.010  
THREE PLACE DECIMAL: ±.005  
PRINTED GRAPHICS: ±.010

PROPRIETARY AND CONFIDENTIAL  
THE INFORMATION CONTAINED IN THIS  
DRAWING IS THE SOLE PROPERTY OF  
POLYCASE. ANY REPRODUCTION IN PART  
OR AS A WHOLE WITHOUT THE WRITTEN  
PERMISSION OF POLYCASE IS PROHIBITED.  
CAD FILE: HX-24K-01

PART NO.  
HX-24K-01  
MATERIAL

FLAME RATING

SIZE  
**A**

**polycase**  
1305 CHESTER IND. PARKWAY AVON, OHIO 44011-1083 U.S.A.  
PH#: 1-800-248-1233, 440-934-0444 FAX#: 440-934-0088

REV  
-

REV.	DESCRIPTION	ZONE	BY	APPR'D	DATE
	REVISIONS				

	NAME	DATE
DRAWN	D.M.F.	2/7/2020
CHECKED	-	12/31/2999

SCALE: 1:1



SHEET 1 OF 1

5

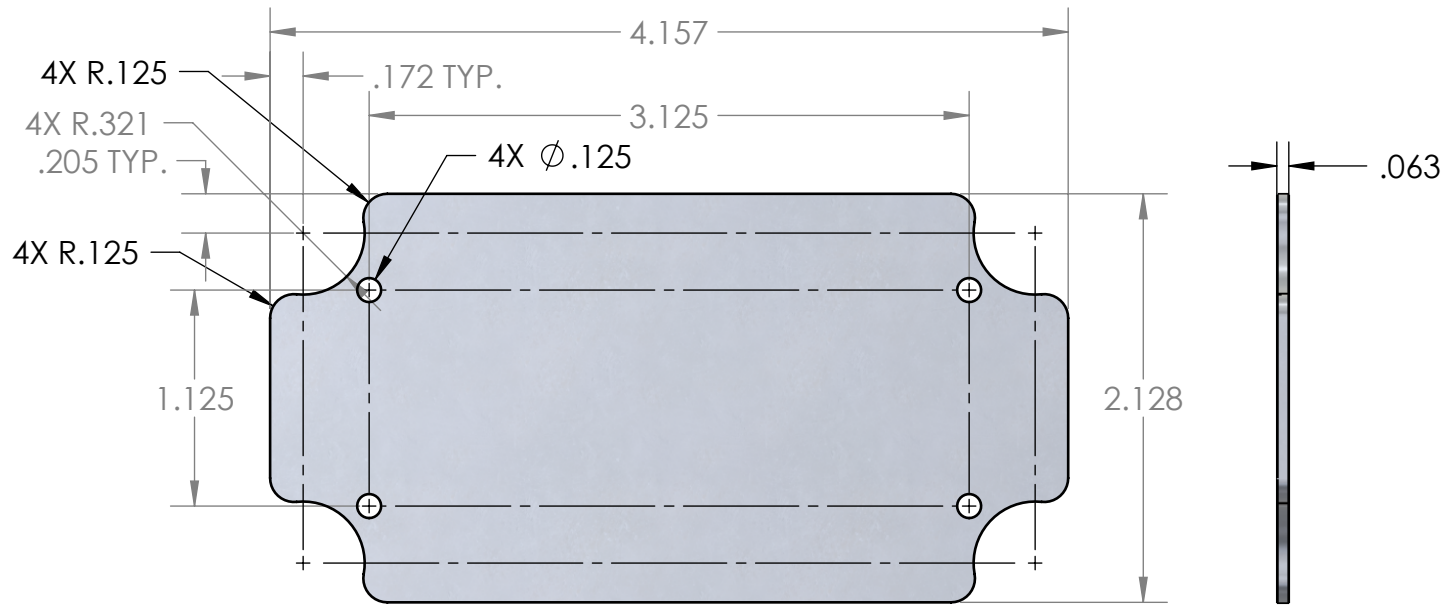
4

3


2

1

D  
C  
B  
A



NOTES:  
 1. BREAK ALL EDGES .005 MAX.

UNLESS OTHERWISE SPECIFIED: DIMENSIONS ARE IN: INCHES[mm] TOLERANCES: ANGULAR: ±2° TWO PLACE DECIMAL: ±.010 THREE PLACE DECIMAL: ±.005 PRINTED GRAPHICS: ±.010		PART NO. HX-24P-01		 <small>1305 CHESTER IND. PARKWAY AVON, OHIO 44011-1083 U.S.A.          PH#: 1-800-248-1233, 440-934-0444 FAX#: 440-934-0088</small>	
PROPRIETARY AND CONFIDENTIAL THE INFORMATION CONTAINED IN THIS DRAWING IS THE SOLE PROPERTY OF POLYCASE. ANY REPRODUCTION IN PART OR AS A WHOLE WITHOUT THE WRITTEN PERMISSION OF POLYCASE IS PROHIBITED. CAD FILE: HX-24P-01		MATERIAL AL 5052-H32			
FLAME RATING		SIZE <b>A</b>		MOUNTING PANEL	
DRAWN		NAME		REV	
CHECKED		DATE		-	
		D.M.F. 2/7/2020			
		1/13/2010		SCALE: 1:1	
				SHEET 1 OF 1	

REV.	DESCRIPTION	ZONE	BY	APPR'D	DATE
REVISIONS					

5

4

3

2

1

D

C

B

A