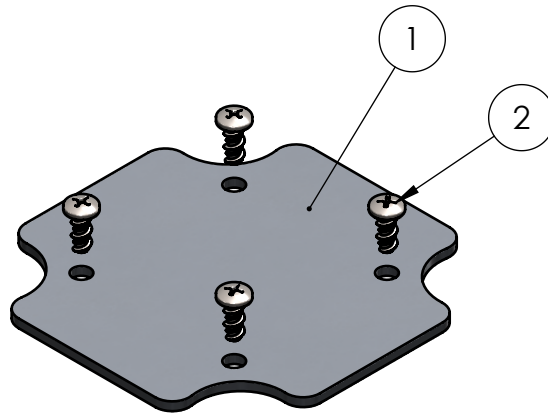




BOM Table					
ITEM NO.	PART NUMBER	Rev.	Description	Material	QTY.
1	HD-22P-01	-	MOUNTING PANEL	AL 5052-H32	1
2	SCREWS-MBR	-.02	#4-24 HI-LO X .25 THREAD FORMING, PHILLIPS, PAN HEAD, SCREW	AISI 1019-1022	4



UNLESS OTHERWISE SPECIFIED: DIMENSIONS ARE IN: INCHES[mm] TOLERANCES: ANGULAR: ±2° TWO PLACE DECIMAL: ±.010 THREE PLACE DECIMAL: ±.005 PRINTED GRAPHICS: ±.010		PART NO. HD-22K-01		 <small>1305 CHESTER IND. PARKWAY AVON, OHIO 44011-1083 U.S.A. PH#: 1-800-248-1233, 440-934-0444 FAX#: 440-934-0088</small>						
PROPRIETARY AND CONFIDENTIAL THE INFORMATION CONTAINED IN THIS DRAWING IS THE SOLE PROPERTY OF POLYCASE. ANY REPRODUCTION IN PART OR AS A WHOLE WITHOUT THE WRITTEN PERMISSION OF POLYCASE IS PROHIBITED. CAD FILE: HD-22K-01		MATERIAL				FLAME RATING	SIZE A			
REV.	DESCRIPTION	ZONE	BY	APPR'D	DATE	DRAWN D.M.F.	DATE 2/7/2020	SCALE: 1:1		SHEET 1 OF 1
REVISIONS						CHECKED -	12/31/2999			

5

4

3

2

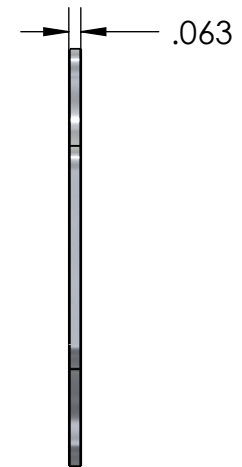
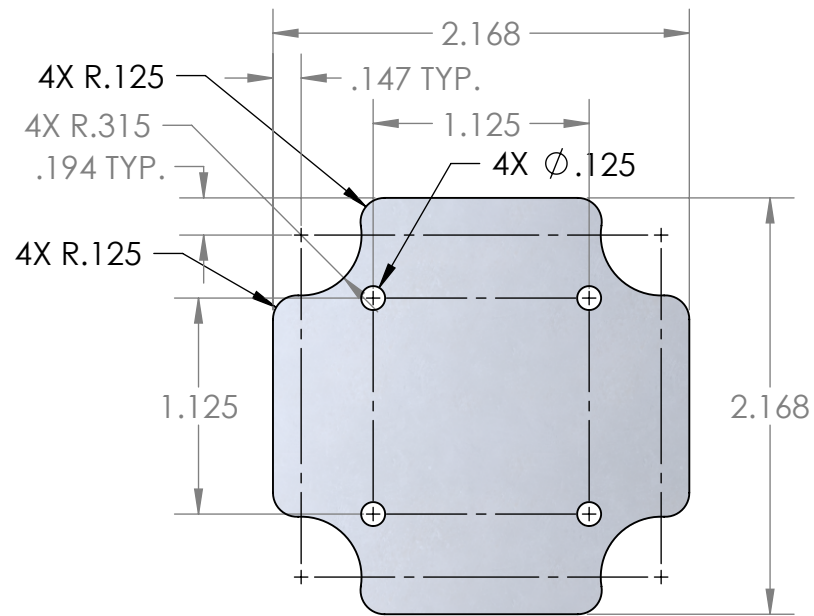
1

D

C

B

A



NOTES:
 1. BREAK ALL EDGES .005 MAX.

UNLESS OTHERWISE SPECIFIED:
 DIMENSIONS ARE IN: INCHES[mm]
 TOLERANCES: ANGULAR: $\pm 2^\circ$
 TWO PLACE DECIMAL: $\pm .010$
 THREE PLACE DECIMAL: $\pm .005$
 PRINTED GRAPHICS: $\pm .010$

PROPRIETARY AND CONFIDENTIAL
 THE INFORMATION CONTAINED IN THIS
 DRAWING IS THE SOLE PROPERTY OF
 POLYCASE. ANY REPRODUCTION IN PART
 OR AS A WHOLE WITHOUT THE WRITTEN
 PERMISSION OF POLYCASE IS PROHIBITED.
 CAD FILE: HD-22P-01

PART NO.
 HD-22P-01

MATERIAL
 AL 5052-H32

FLAME RATING

SIZE
A

SCALE: 1:1

polycase
 1305 CHESTER IND. PARKWAY AVON, OHIO 44011-1083 U.S.A.
 PH# 1-800-248-1233, 440-934-0444 FAX# 440-934-0088

MOUNTING PANEL

REV
-.01

SHEET 1 OF 1

REV.	DESCRIPTION	ZONE	BY	APPR'D	DATE
REVISIONS					

5

4

3

2

1

D

C

B

A