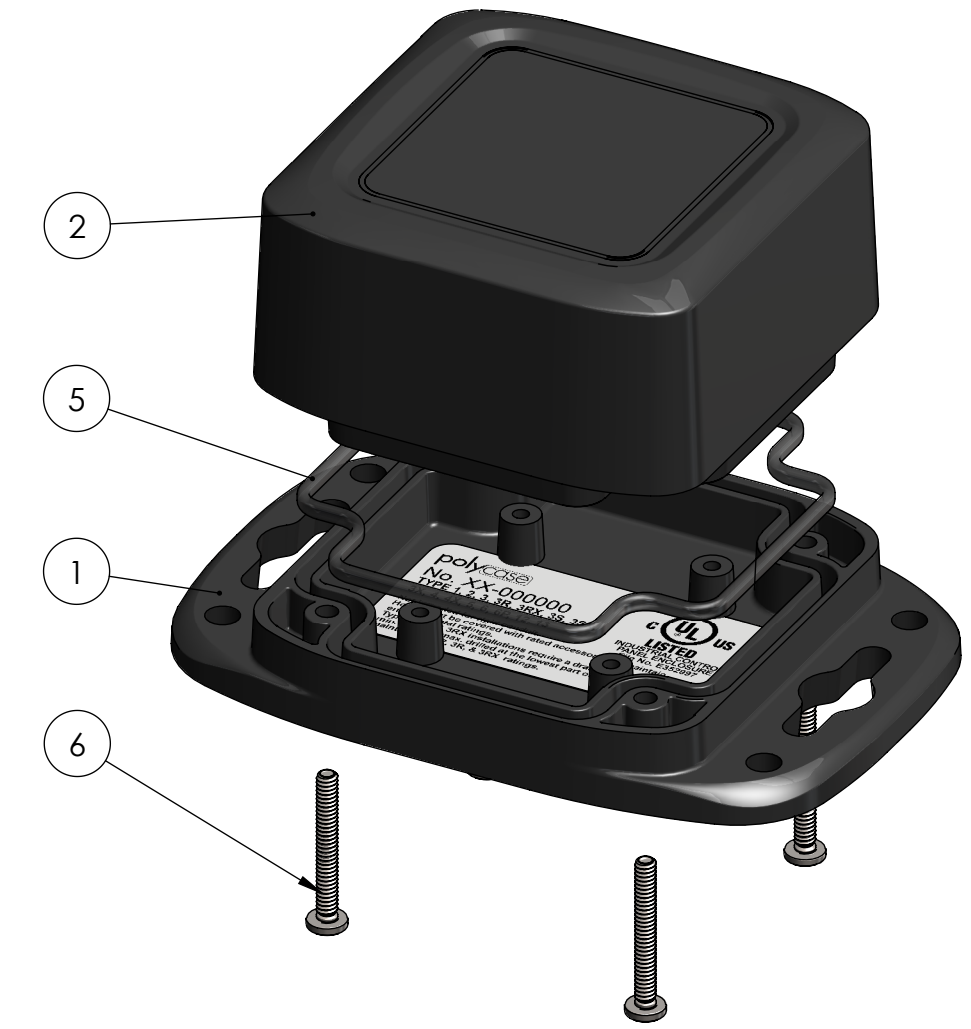
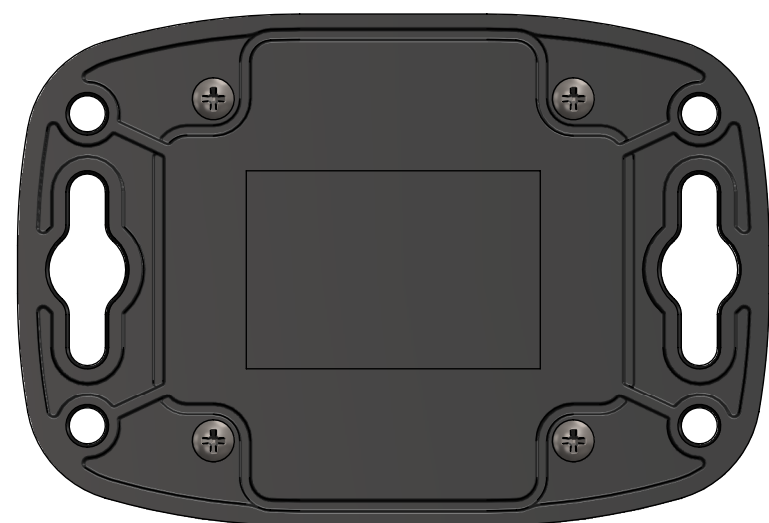
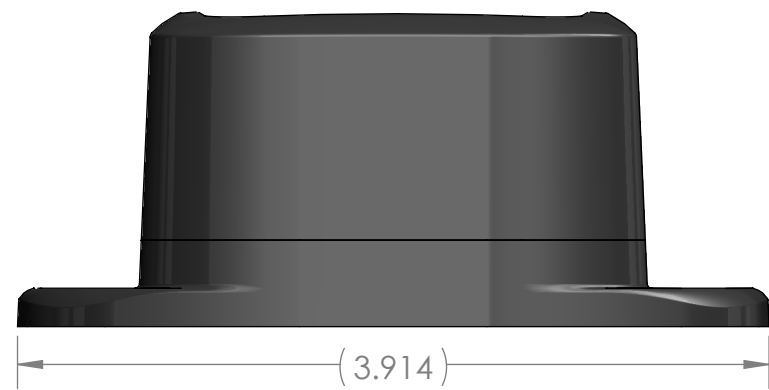
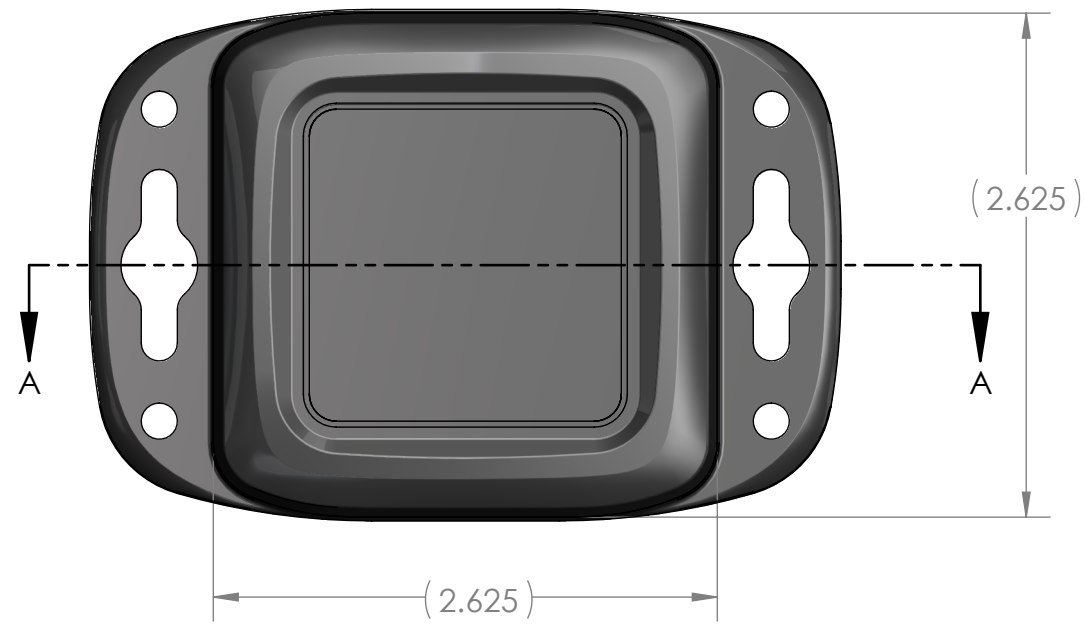
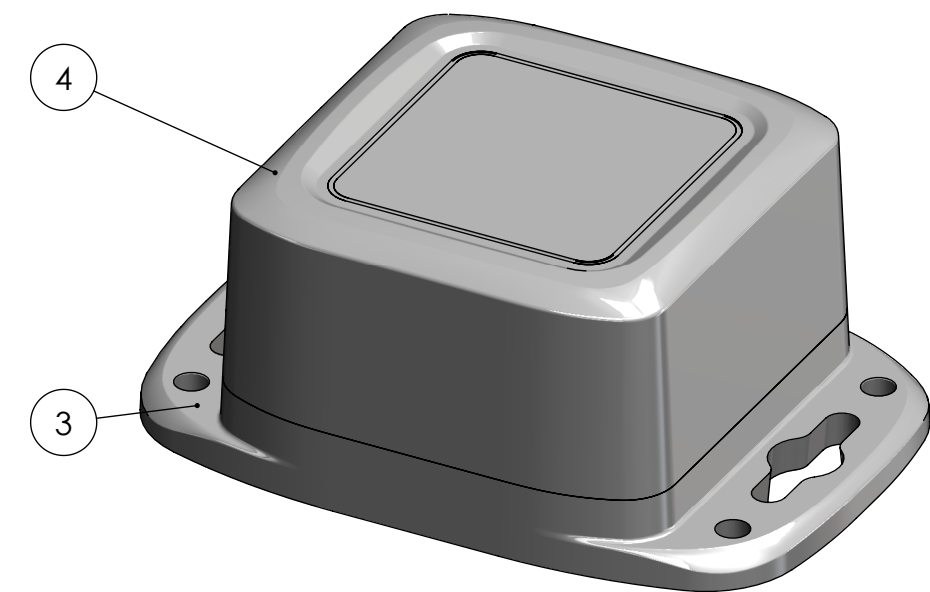


SECTION A-A



PART NUMBER: HD-22FMMT
FLAME RATING: 5VA



PART NUMBER: HD-22FMMT*15
FLAME RATING: 5VA

BOM Table									
ITEM NO.	PART NUMBER	Rev.	Description	Material	FlameRating	Color	HD-22FMMT/QTY.	HD-22FMMT*15/QTY.	
1	HD-22BFMB	-	BASE, W/FLANGES & PCB BOSSES	PC	5VA	BLACK	1	-	
2	HD-22CMBT	-	COVER W/BRASS INSERTS	PC	5VA	BLACK	1	-	
3	HD-22BFMB*15	-	BASE, W/FLANGES & PCB BOSSES	PC	5VA	GRAY (RAL 7035)	-	1	
4	HD-22CMBT*15	-	COVER W/BRASS INSERTS	PC	5VA	GRAY (RAL 7035)	-	1	
5	GASKET-22*08	-	GASKET	SILICONE		TRANSPARENT	1	1	
6	SCREWS-SS7/8-4	-	4 PACK: 4-40 X 7/8 LG PAN PHILLIPS SCREW, SST				1	1	

NOTES:
1. RECOMMENDED TORQUE SETTING FOR ASSEMBLY SCREWS: 6.25 IN-LBS

REV.	DESCRIPTION	ZONE	BY	APPR'D	DATE
-	RELEASED		D.M.F.	D.M.F.	11/16/2020
D	RELEASED FOR TOOLING		D.M.F.	B.M.B.	4/24/2020

UNLESS OTHERWISE SPECIFIED:
DIMENSIONS ARE IN: INCHES[mm]
TOLERANCES: ANGULAR: ±2°
TWO PLACE DECIMAL: ±.030
THREE PLACE DECIMAL: ±.015
PRINTED GRAPHICS: ±.010
PROPRIETARY AND CONFIDENTIAL
THE INFORMATION CONTAINED IN THIS
DRAWING IS THE SOLE PROPERTY OF
POLYCASE. ANY REPRODUCTION IN PART
OR AS A WHOLE WITHOUT THE WRITTEN
PERMISSION OF POLYCASE IS PROHIBITED.
CAD FILE: HD-22FMMT

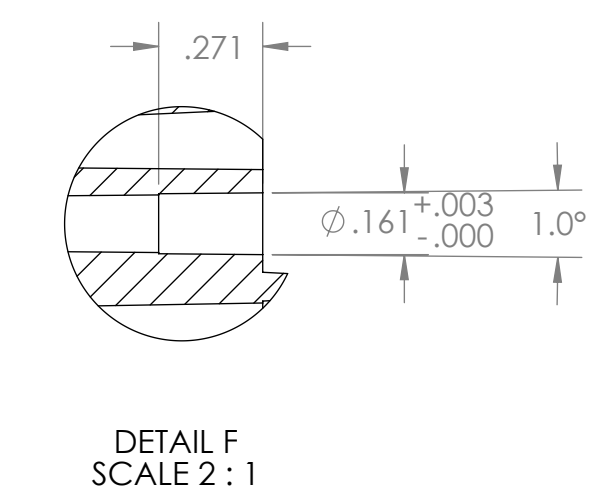
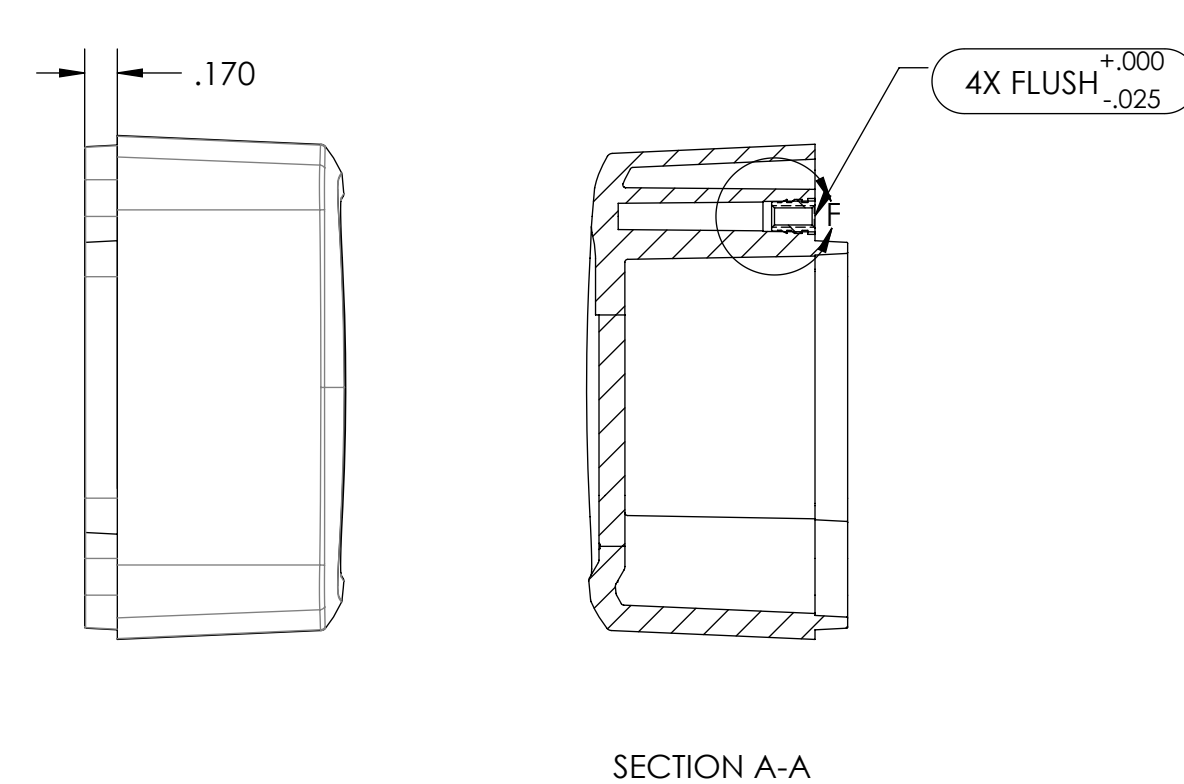
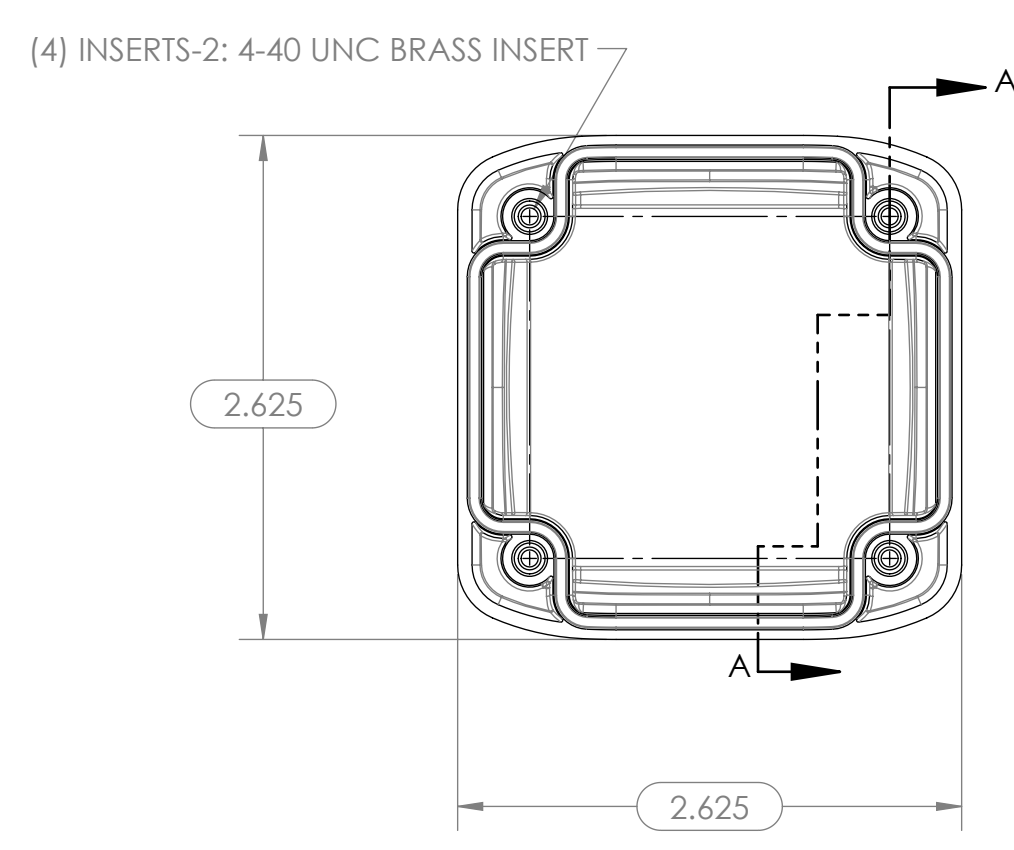
PART NO.
HD-22FMMT
MATERIAL
FLAME RATING
5VA
DRAWN
CHECKED

NAME
D.M.F.
DATE
2/7/2020
1/13/2010
SIZE
C
SCALE: 1:1
SHEET 1 OF 1

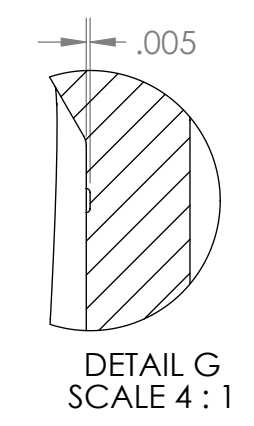
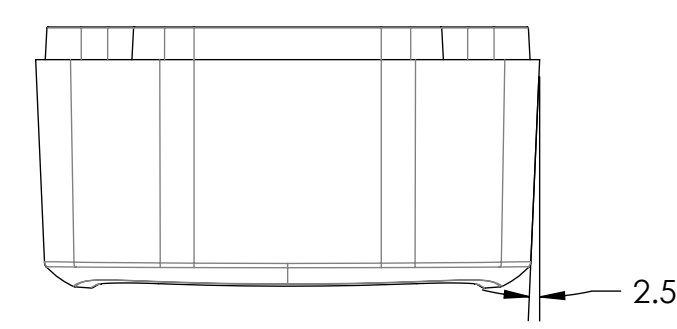


1305 CHESTER RD. PARKWAY AVON, OHIO 44011-1083 U.S.A.
PH: 1-800-548-1233 440-934-0444 FAX: 440-934-0088
HD ASSEMBLY
REV
-

TOLERANCE CHART														
DIMENSION RANGE	0	.039	.118	.236	.394	.591	.866	1.181	1.575	2.087	2.756	3.543	4.724	6.299
TOOL DEPENDENT	±.007	±.007	±.008	±.008	±.009	±.010	±.011	±.012	±.013	±.015	±.017	±.020	±.024	±.028
NON-TOOL DEPENDENT	±.003	±.004	±.004	±.004	±.005	±.006	±.007	±.008	±.009	±.011	±.013	±.016	±.020	±.024

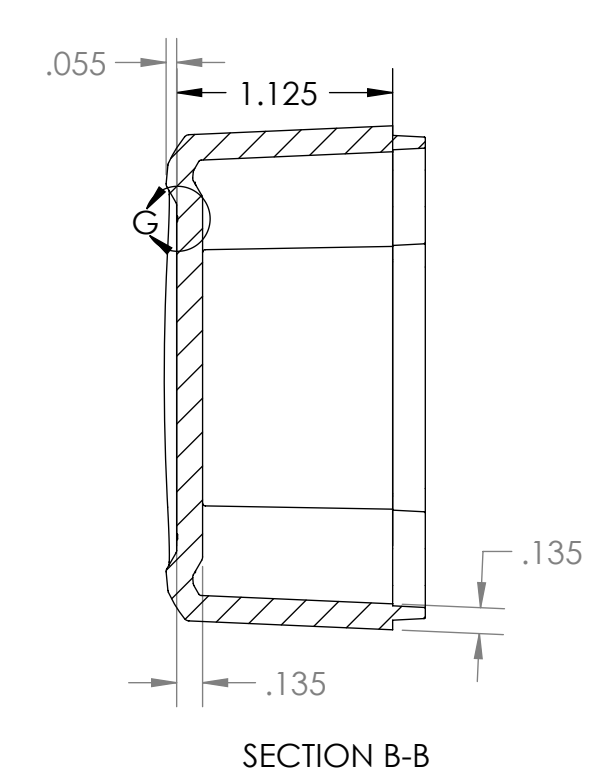
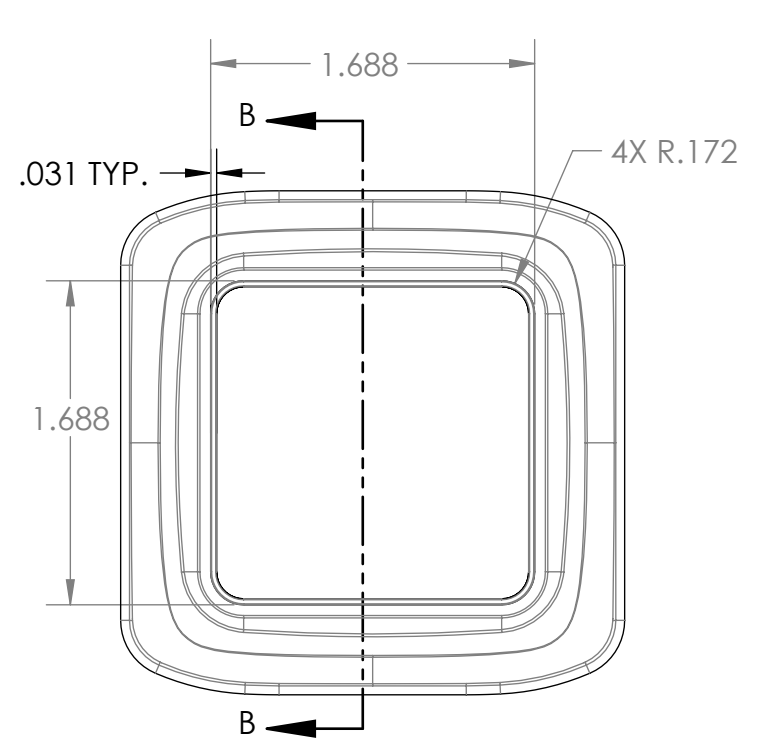
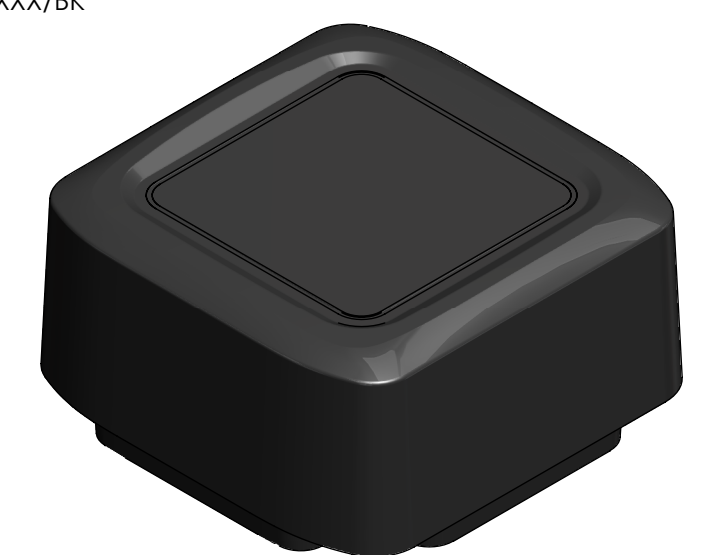


DETAIL F
SCALE 2 : 1



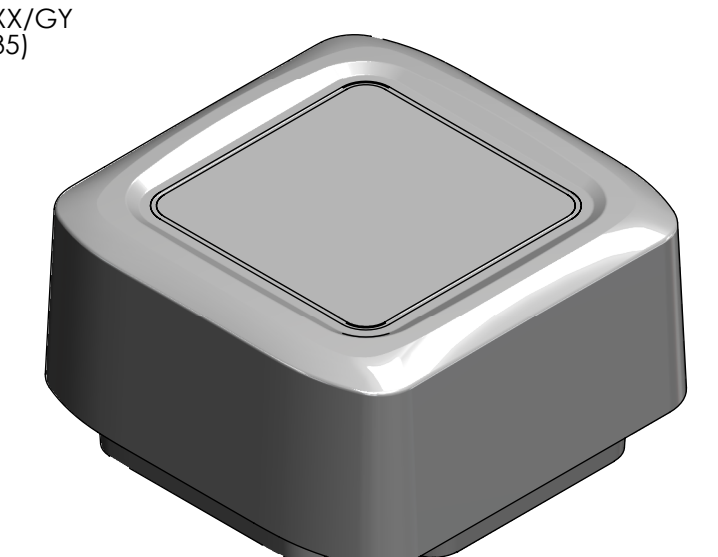
DETAIL G
SCALE 4 : 1

PART NUMBER: HD-22CMBT
MATERIAL: PC
MATERIAL SPEC: /PC/XXX/BK
COLOR: BLACK
FLAME RATING: 5VA



SECTION B-B

PART NUMBER: HD-22CMBT*15
MATERIAL: PC
MATERIAL SPEC: /PC/XXX/GY
COLOR: GRAY (RAL 7035)
FLAME RATING: 5VA



- NOTES:
1. (INSPECTION DIMENSION)
2. EJECTOR PINS TO BE FLUSH ±.010
3. FLASH .005 MAX
4. GATE MUST BE FLUSH ±.010

REV.	DESCRIPTION	ZONE	BY	APPR'D	DATE
-	RELEASED		D.M.F.	D.M.F.	11/16/2020
D	RELEASED FOR TOOLING		D.M.F.	B.M.B.	4/24/2020

UNLESS OTHERWISE SPECIFIED:
DIMENSIONS ARE IN: INCHES[mm]
TOLERANCES: ANGULAR: ±°
TWO PLACE DECIMAL: ±.
THREE PLACE DECIMAL: ±.
PRINTED GRAPHICS: ±.

PROPRIETARY AND CONFIDENTIAL
THE INFORMATION CONTAINED IN THIS
DRAWING IS THE SOLE PROPERTY OF
POLYCASE. ANY REPRODUCTION IN PART
OR AS A WHOLE WITHOUT THE WRITTEN
PERMISSION OF POLYCASE IS PROHIBITED.
CAD FILE: HD-22CMBT

PART NO. HD-22CMBT
MATERIAL PC
FLAME RATING 5VA

COVER W/BRASS INSERTS

SCALE: 1:1

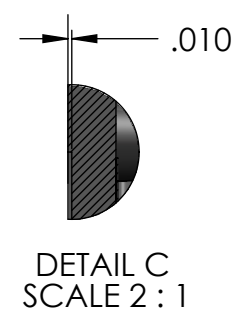
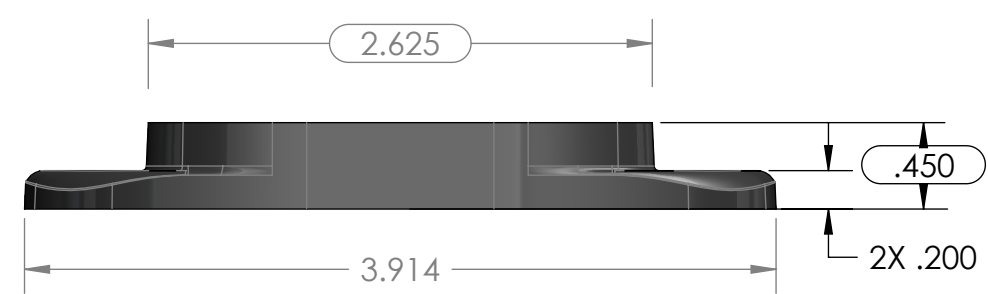
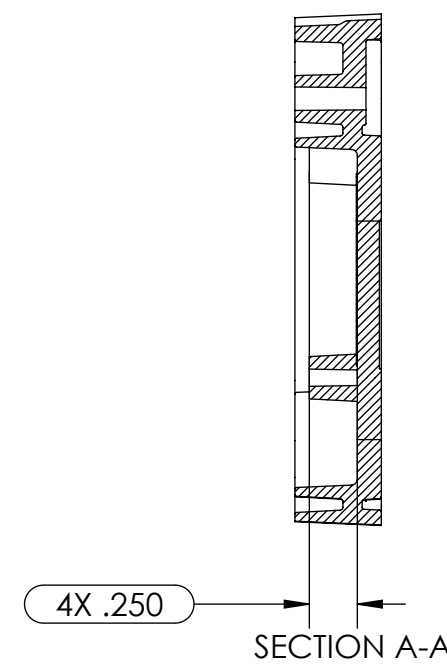
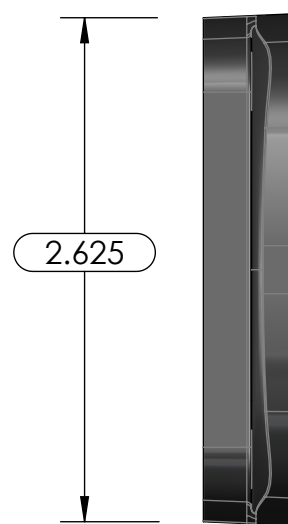
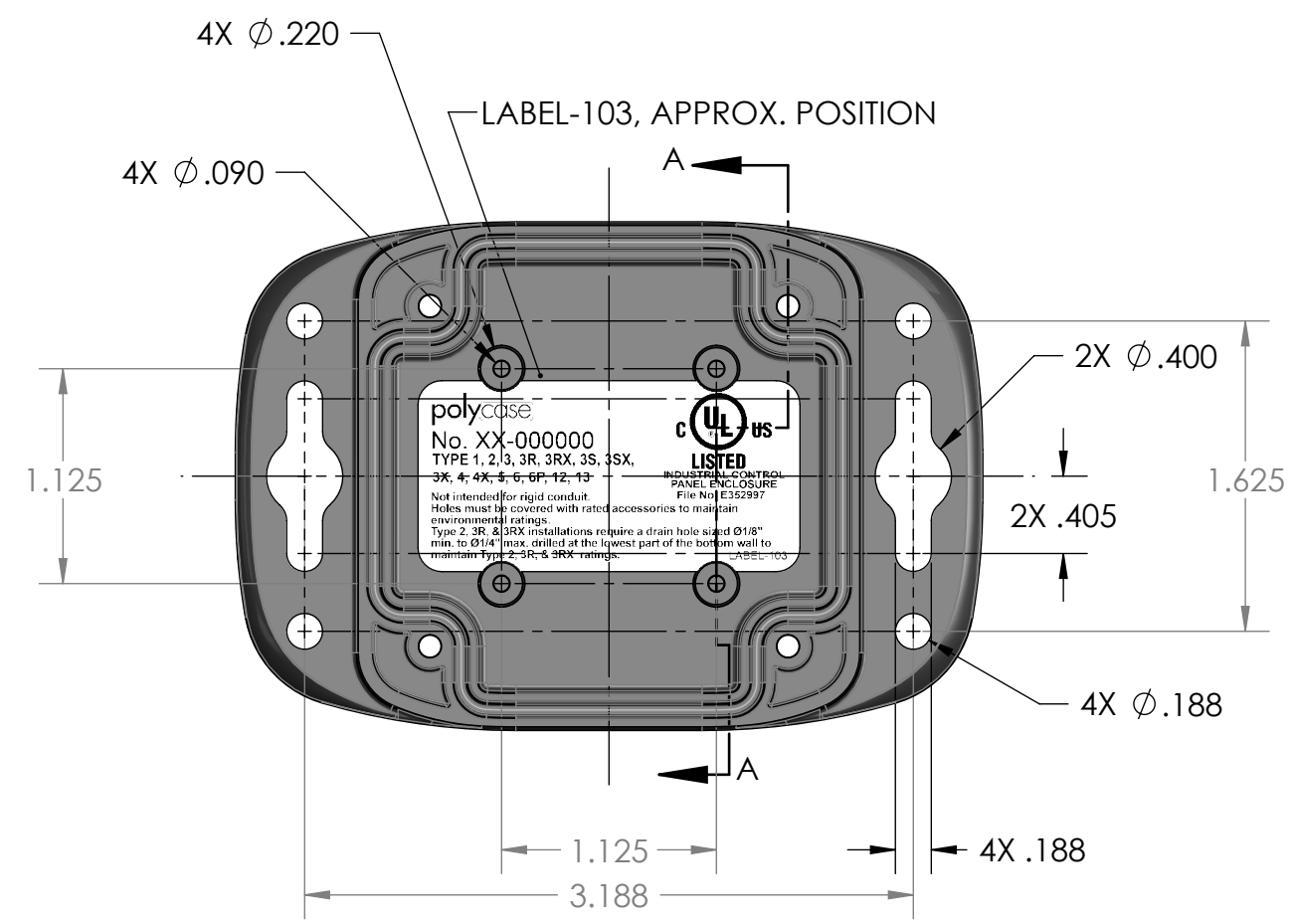
SHEET 1 OF 1

1305 CHESTER RD. PARKWAY AVON, OHIO 44011-1083 U.S.A.
PH: 1-800-548-1233, 440-934-0444 FAX: 440-934-0088

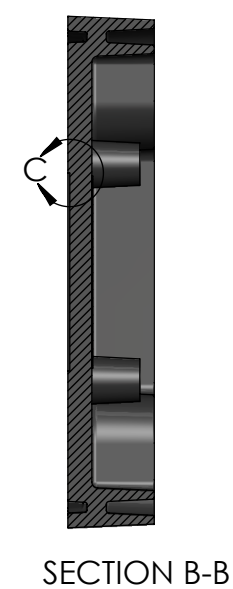
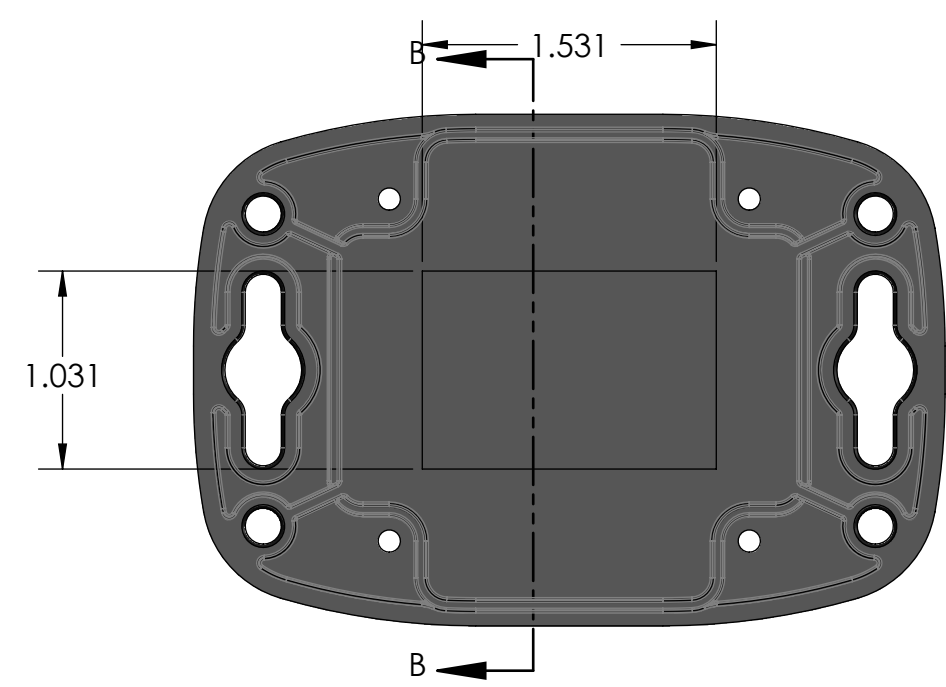
REV

DRAWN: [blank] NAME: [blank] DATE: [blank]
CHECKED: [blank] D.M.F.: 2/7/2020
1/20/2014

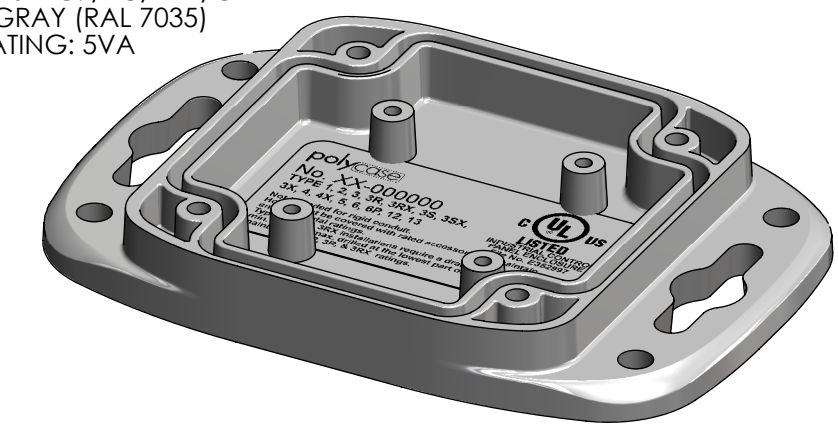
DIMENSION RANGE	TOLERANCE CHART												
	0	.039	.118	.236	.394	.591	.866	1.181	1.575	2.087	2.756	3.543	4.724
TOOL DEPENDENT	±.007	±.007	±.008	±.008	±.009	±.010	±.011	±.012	±.013	±.015	±.017	±.020	±.024
NON-TOOL DEPENDENT	±.003	±.004	±.004	±.004	±.005	±.006	±.007	±.008	±.009	±.011	±.013	±.016	±.020



PART NUMBER: HD-22BFMB
 MATERIAL: PC
 MATERIAL SPEC: /PC/XXX/BK
 COLOR: BLACK
 FLAME RATING: 5VA



PART NUMBER: HD-22BFMB*15
 MATERIAL: PC
 MATERIAL SPEC: /PC/XXX/GY
 COLOR: GRAY (RAL 7035)
 FLAME RATING: 5VA



- NOTES:
 1. INSPECTION DIMENSION
 2. EJECTOR PINS TO BE FLUSH ±.010
 3. FLASH .005 MAX
 4. GATE MUST BE FLUSH ±.010

REV.	DESCRIPTION	ZONE	BY	APPR'D	DATE
-	RELEASED		D.M.F.	D.M.F.	11/16/2020
D	RELEASED FOR TOOLING		D.M.F.	B.M.B.	4/24/2020

UNLESS OTHERWISE SPECIFIED:
 DIMENSIONS ARE IN: INCHES[mm]
 TOLERANCES: ANGULAR: ±2°
 TWO PLACE DECIMAL: ±.03
 THREE PLACE DECIMAL: ±.015
 PRINTED GRAPHICS: ±.010

PROPRIETARY AND CONFIDENTIAL
 THE INFORMATION CONTAINED IN THIS
 DRAWING IS THE SOLE PROPERTY OF
 POLYCASE. ANY REPRODUCTION IN PART
 OR AS A WHOLE WITHOUT THE WRITTEN
 PERMISSION OF POLYCASE IS PROHIBITED.
 CAD FILE: HD-22BFMB

PART NO. HD-22BFMB
 MATERIAL PC
 FLAME RATING 5VA

SIZE C
 SCALE: 1:1

BASE, W/FLANGES & PCB BOSSSES

1305 CHESTER RD. PARKWAY AVON, OHIO 44011-1083 U.S.A.
 PH: 1-800-548-1233, 440-934-0444 FAX: 440-934-0088

DRAWN: [blank] NAME: [blank] DATE: 2/7/2020
 CHECKED: [blank] D.M.F. 1/20/2014

REVISIONS

SHEET 1 OF 1