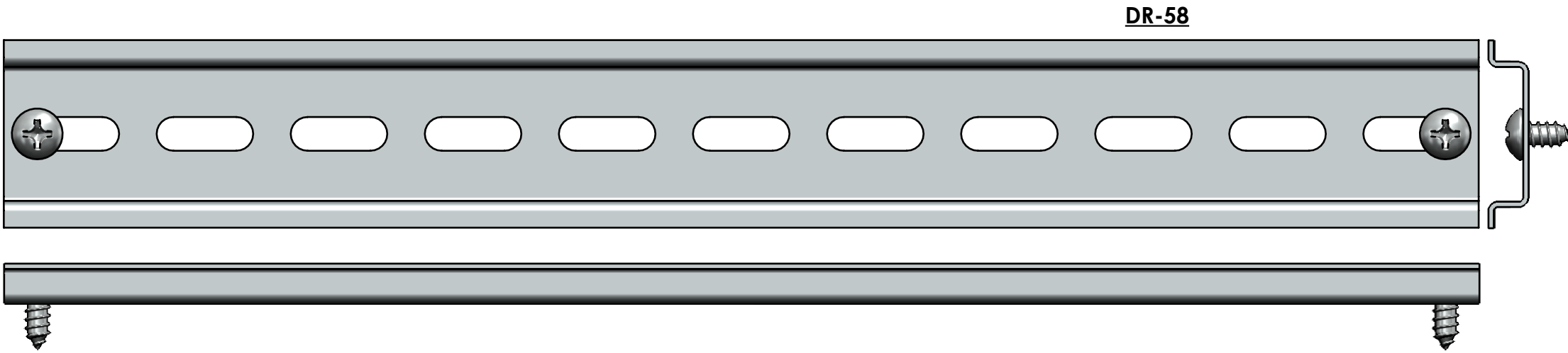


8 7 6 5 4 3 2 1

BOM Table					
ITEM NO.	PART NO	Rev.	Description	Material	QTY.
1	DR-24R	-.03	DIN RAIL 35mmX7.5mm PER DIN EN 60715 X 275mm	STEEL	1
2	SCREWS-013	-	10-16 X 3/8 TYPE AB PHILLIPS PAN HEAD SCREW	STEEL	2

D



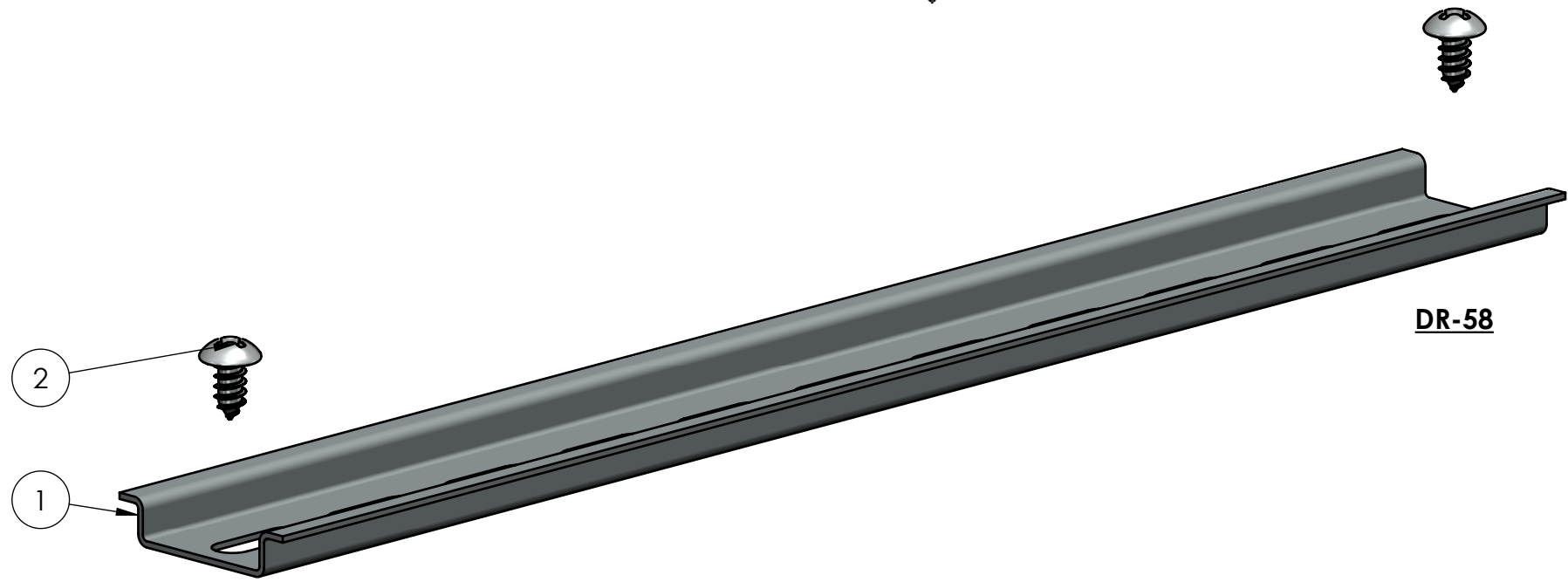
D

C



C



B



B

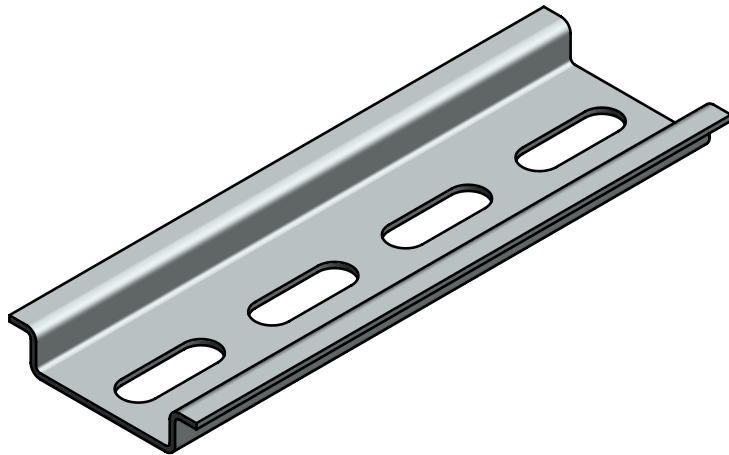
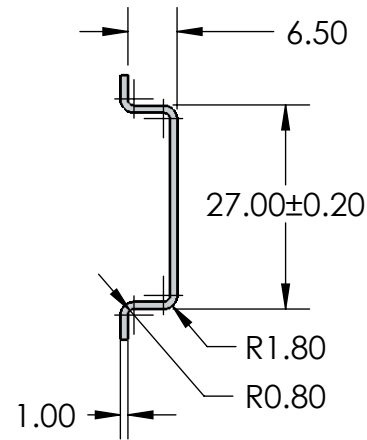
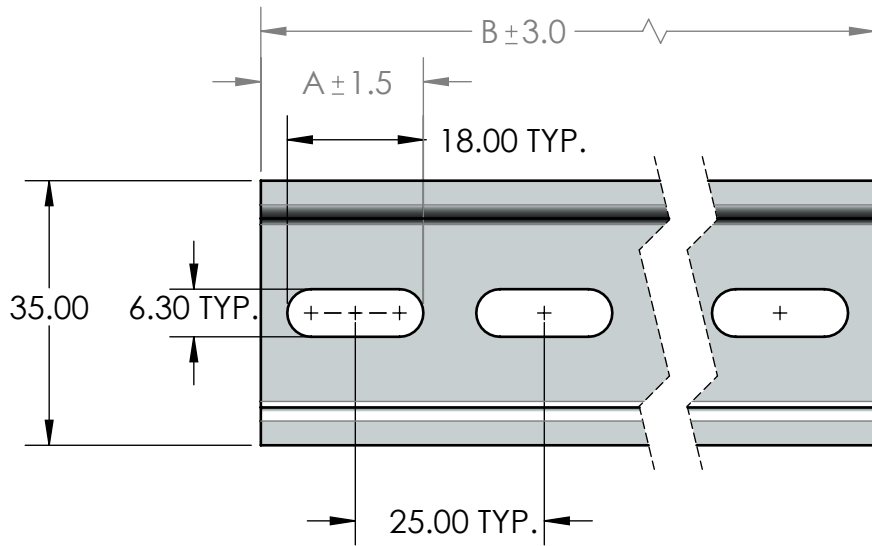
A

A

<small>UNLESS OTHERWISE SPECIFIED: DIMENSIONS ARE IN: INCHES[mm] TOLERANCES: ANGULAR: ±2° TWO PLACE DECIMAL: ±.010 THREE PLACE DECIMAL: ±.005 PRINTED GRAPHICS: ±.010</small>	PART NO. DR-58			
	MATERIAL			
	FLAME RATING	SIZE B	DIN RAIL KIT	REV -
	<small>PROPRIETARY AND CONFIDENTIAL THE INFORMATION CONTAINED IN THIS DRAWING IS THE SOLE PROPERTY OF POLYCASE. ANY REPRODUCTION IN PART OR AS A WHOLE WITHOUT THE WRITTEN PERMISSION OF POLYCASE IS PROHIBITED.</small>	<small>DRAWN</small> D.M.F. 7/10/2014 <small>CHECKED</small> C.C.B. 4/9/2020	SCALE: 1:1	



REV.	DESCRIPTION	ZONE	BY	APPR'D	DATE
REVISIONS					

8 7 6 5 4 3 2 1



	A	B
DR-20R	21.5	75
DR-10R	21.5	100
DR-16R	21.5	125
DR-18R	21.5	150
DR-12R	21.5	175
DR-21R	9.0	212.5
DR-14R	9.0	225
DR-22R	21.5	225
DR-30R	21.5	250
DR-24R	21.5	275
DR-31R	21.5	300
DR-32R	9.0	312.5
DR-26R	21.5	325
DR-35R	21.5	350
DR-28R	21.5	375
DR-40R	21.5	400
DR-45R	21.5	450
DR-55R	21.5	550

NOTES:
1. FINISH: ZINC PLATED

UNLESS OTHERWISE SPECIFIED: DIMENSIONS ARE IN: mm TOLERANCES: ANGULAR: ±2° TWO PLACE DECIMAL: ±.5 THREE PLACE DECIMAL: ±.5 PRINTED GRAPHICS: ±.	PART NO. DR-xxR	 <small>1305 CHESTER IND. PARKWAY AVON, OHIO 44011-1083 U.S.A. PH#: 1-800-248-1233, 440-934-0444 FAX#: 440-934-0088</small>						
	MATERIAL STEEL							
PROPRIETARY AND CONFIDENTIAL THE INFORMATION CONTAINED IN THIS DRAWING IS THE SOLE PROPERTY OF POLYCASE. ANY REPRODUCTION IN PART OR AS A WHOLE WITHOUT THE WRITTEN PERMISSION OF POLYCASE IS PROHIBITED. CAD FILE: DR-xxR	FLAME RATING							
REV.	DESCRIPTION	ZONE	BY	APPR'D	DATE	SIZE A	DIN RAIL 35mmX7.5mm PER DIN EN 60715	REV -.03
-03	ADDED 21 & 32		D.M.F.		4/3/2020	SCALE: 1:1		SHEET 1 OF 1
-02	ADDED DR-31R & DR-40R		D.M.F.	B.M.B.	1/19/2017			
-01	ADDED DR-35R, DR-45R & DR-55R		D.M.F.	B.M.B.	7/7/2016			

REV.	DESCRIPTION	ZONE	BY	APPR'D	DATE
-03	ADDED 21 & 32		D.M.F.		4/3/2020
-02	ADDED DR-31R & DR-40R		D.M.F.	B.M.B.	1/19/2017
-01	ADDED DR-35R, DR-45R & DR-55R		D.M.F.	B.M.B.	7/7/2016

5

4

3

2

1