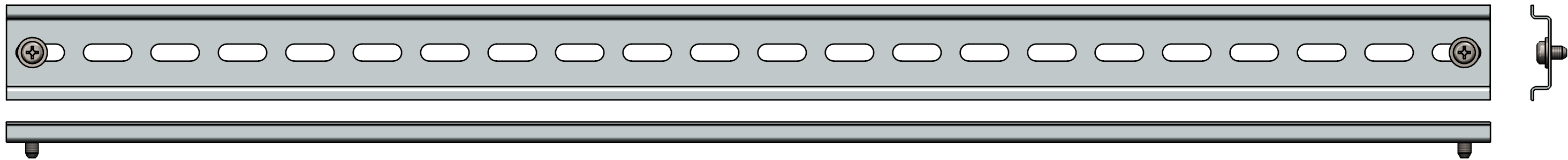
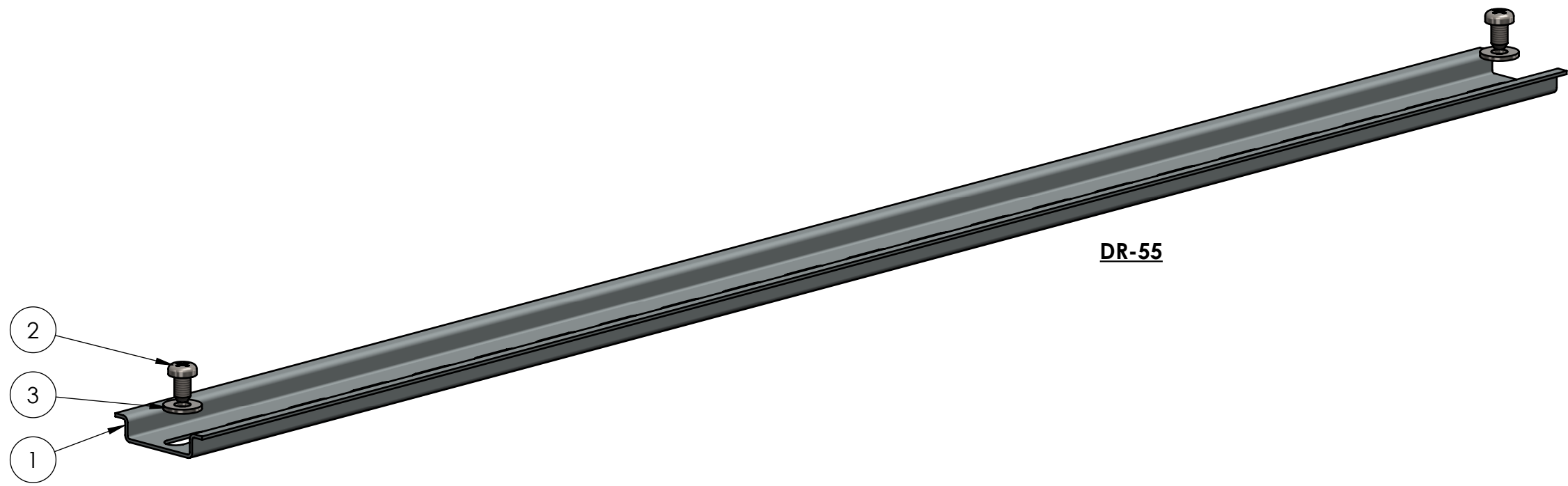


BOM Table					
ITEM NO.	PART NO	Rev.	Description	Material	QTY.
1	DR-55R	-.03	DIN RAIL 35mmX7.5mm PER DIN EN 60715 X 550mm	STEEL	1
2	SCREWS-032		#8-16 X 5/16 PLASTITE, PAN HEAD, PHILLIPS	ZINC STEEL	2
3	W-015		#8 SAE WASHER, SST	SST	2

DR-55



DR-55



UNLESS OTHERWISE SPECIFIED:
 DIMENSIONS ARE IN: INCHES[mm]
 TOLERANCES: ANGULAR: ±2°
 TWO PLACE DECIMAL: ±.010
 THREE PLACE DECIMAL: ±.005
 PRINTED GRAPHICS: ±.010

PART NO.
DR-55
 MATERIAL

polycase
 1305 CHESTER IND. PARKWAY AVON, OHIO 44011-1083 U.S.A.
 PH#: 1-800-248-1233, 440-934-0444 FAX#: 440-934-0088

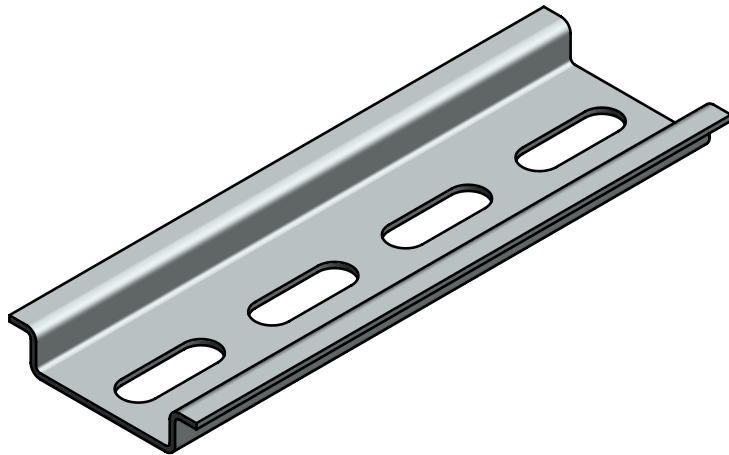
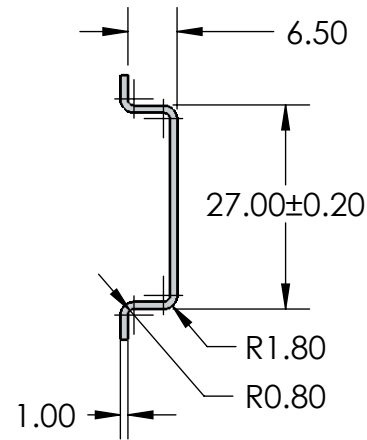
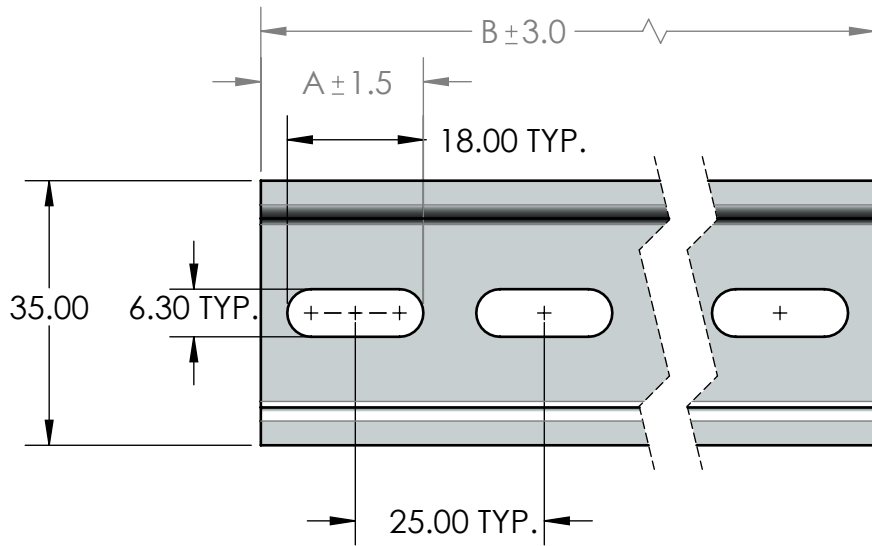
REV.	DESCRIPTION	ZONE	BY	APPR'D	DATE
1	ADDED WASHERS		D.M.F.		4/7/2020
REVISIONS					

PROPRIETARY AND CONFIDENTIAL
 THE INFORMATION CONTAINED IN THIS
 DRAWING IS THE SOLE PROPERTY OF
 POLYCASE. ANY REPRODUCTION IN PART
 OR AS A WHOLE WITHOUT THE WRITTEN
 PERMISSION OF POLYCASE IS PROHIBITED.
 CAD FILE: DR-55

FLAME RATING

DRAWN	NAME	DATE
CHECKED	D.M.F.	
	C.C.B.	4/9/2020

SIZE
B
 DIN RAIL KIT
 REV
 -
 SCALE: 1:1.5
 SHEET 1 OF 1



	A	B
DR-20R	21.5	75
DR-10R	21.5	100
DR-16R	21.5	125
DR-18R	21.5	150
DR-12R	21.5	175
DR-21R	9.0	212.5
DR-14R	9.0	225
DR-22R	21.5	225
DR-30R	21.5	250
DR-24R	21.5	275
DR-31R	21.5	300
DR-32R	9.0	312.5
DR-26R	21.5	325
DR-35R	21.5	350
DR-28R	21.5	375
DR-40R	21.5	400
DR-45R	21.5	450
DR-55R	21.5	550

NOTES:
1. FINISH: ZINC PLATED

UNLESS OTHERWISE SPECIFIED:
DIMENSIONS ARE IN: mm
TOLERANCES: ANGULAR: ±2°
TWO PLACE DECIMAL: ±.5
THREE PLACE DECIMAL: ±.5
PRINTED GRAPHICS: ±

PROPRIETARY AND CONFIDENTIAL
THE INFORMATION CONTAINED IN THIS
DRAWING IS THE SOLE PROPERTY OF
POLYCASE. ANY REPRODUCTION IN PART
OR AS A WHOLE WITHOUT THE WRITTEN
PERMISSION OF POLYCASE IS PROHIBITED.
CAD FILE: DR-xxR

PART NO.
DR-xxR
MATERIAL
STEEL

FLAME RATING

SIZE
A

DIN RAIL 35mmX7.5mm PER
DIN EN 60715

REV
-.03

	NAME	DATE
DRAWN	D.M.F.	5/27/2014
CHECKED	C.C.B.	4/9/2020

SCALE: 1:1



SHEET 1 OF 1

REV.	DESCRIPTION	ZONE	BY	APPR'D	DATE
-.03	ADDED 21 & 32		D.M.F.		4/3/2020
-.02	ADDED DR-31R & DR-40R		D.M.F.	B.M.B.	1/19/2017
-.01	ADDED DR-35R, DR-45R & DR-55R		D.M.F.	B.M.B.	7/7/2016
REV.	DESCRIPTION	ZONE	BY	APPR'D	DATE

REVISIONS

5

4

3

2

1

