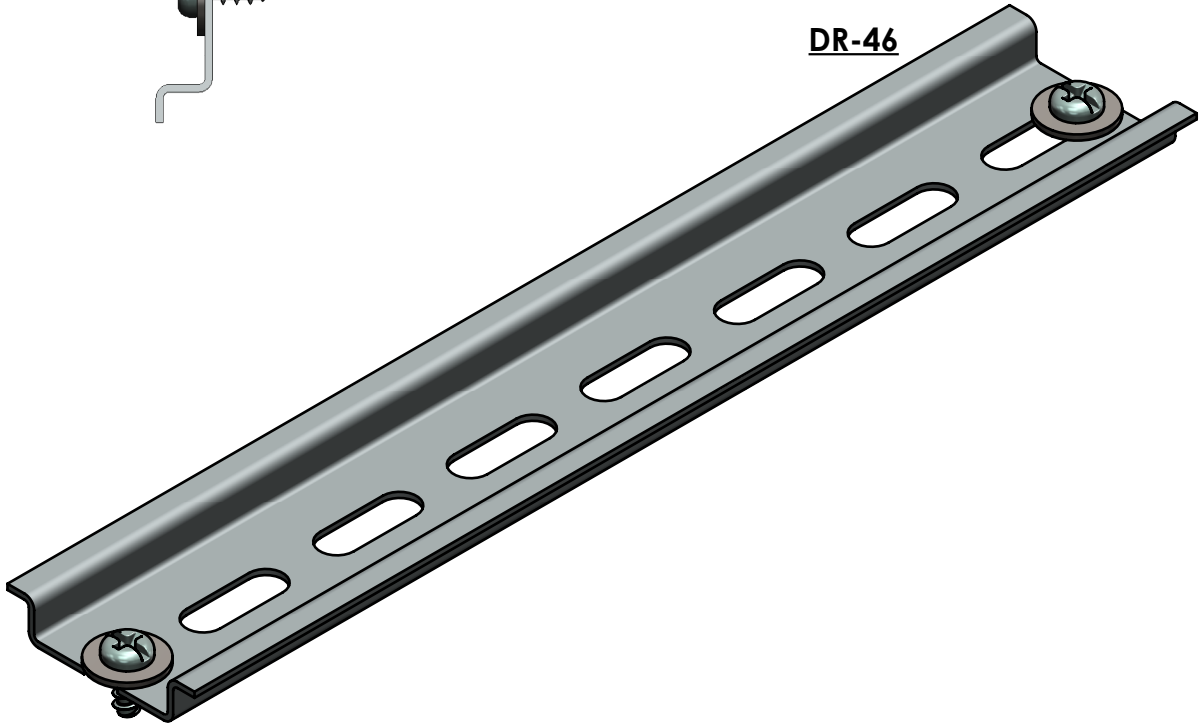
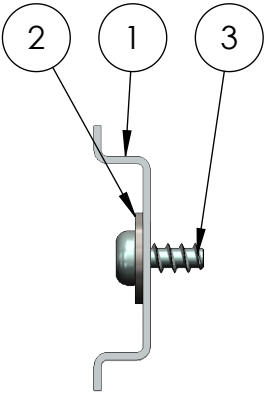
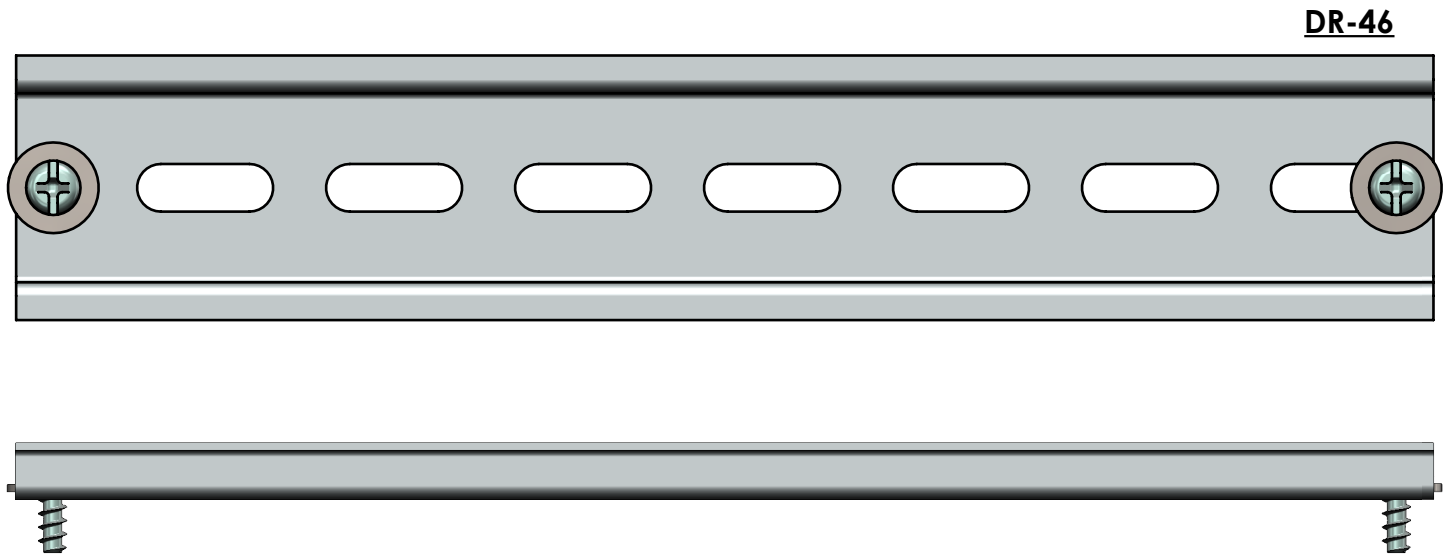


BOM Table					
ITEM NO.	PART NO	Rev.	Description	Material	QTY.
1	DR-13R	-	DIN RAIL 35mmX7.5mm PER DIN EN 60715 X 187.5mm	STEEL	1
2	W-014		M4 Washer DIN 9021 - 4.3 SST	SST	2
3	SCREWS-022	-.01	M3.85x1.8 SPAX X 9mm LG, PAN HEAD, PHILLIPS	QSt36-3	2



UNLESS OTHERWISE SPECIFIED:
 DIMENSIONS ARE IN: INCHES[mm]
 TOLERANCES: ANGULAR: ±2°
 TWO PLACE DECIMAL: ±.010
 THREE PLACE DECIMAL: ±.005
 PRINTED GRAPHICS: ±.010

PROPRIETARY AND CONFIDENTIAL
 THE INFORMATION CONTAINED IN THIS
 DRAWING IS THE SOLE PROPERTY OF
 POLYCASE. ANY REPRODUCTION IN PART
 OR AS A WHOLE WITHOUT THE WRITTEN
 PERMISSION OF POLYCASE IS PROHIBITED.
 CAD FILE: DR-46

PART NO. DR-46		MATERIAL
FLAME RATING		
SIZE B	NAME D.M.F.	DATE 12/13/2021
DRAWN	CHECKED	C.C.B. 5/5/2022

polycase
 1305 CHESTER IND. PARKWAY AVON, OHIO 44011-1083 U.S.A.
 PH#: 1-800-248-1233, 440-934-0444 FAX#: 440-934-0088

DIN RAIL KIT	REV -
SCALE: 1:1	SHEET 1 OF 1

REV.	DESCRIPTION	ZONE	BY	APPR'D	DATE
REVISIONS					