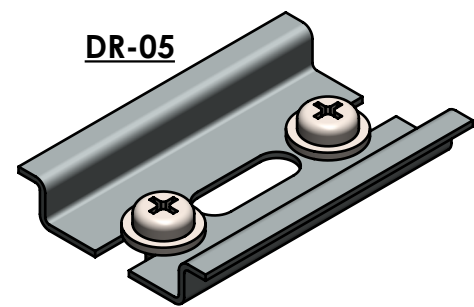
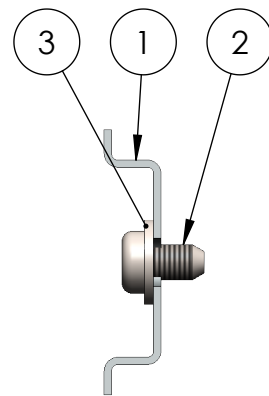
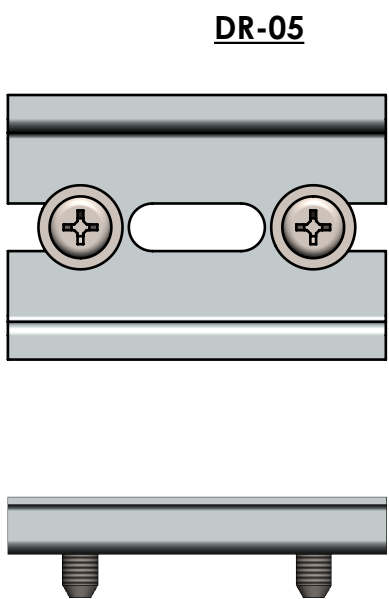


8 7 6 5 4 3 2 1

| BOM Table | | | | | |
|-----------|------------|------|---|------------|------|
| ITEM NO. | PART NO | Rev. | Description | Material | QTY. |
| 1 | DR-05R | -.05 | DIN RAIL 35mmX7.5mm PER DIN EN 60715 X 50mm | STEEL | 1 |
| 2 | SCREWS-032 | | #8-16 X 5/16 PLASTITE, PAN HEAD, PHILLIPS | ZINC STEEL | 2 |
| 3 | W-015 | | #8 SAE WASHER, SST | SST | 2 |

D
C
B
A

D
C
B
A



| REV. | DESCRIPTION | ZONE | BY | APPR'D | DATE |
|-----------|-------------|------|----|--------|------|
| REVISIONS | | | | | |

UNLESS OTHERWISE SPECIFIED:
 DIMENSIONS ARE IN: INCHES[mm]
 TOLERANCES: ANGULAR: ±2°
 TWO PLACE DECIMAL: ±.010
 THREE PLACE DECIMAL: ±.005
 PRINTED GRAPHICS: ±.010

PROPRIETARY AND CONFIDENTIAL
 THE INFORMATION CONTAINED IN THIS
 DRAWING IS THE SOLE PROPERTY OF
 POLYCASE. ANY REPRODUCTION IN PART
 OR AS A WHOLE WITHOUT THE WRITTEN
 PERMISSION OF POLYCASE IS PROHIBITED.
 CAD FILE: DR-05

| | | |
|-------------------|------------------|----------|
| PART NO. DR-05 | | MATERIAL |
| FLAME RATING | SIZE B | |
| DRAWN | NAME | DATE |
| CHECKED | C.C.B. | 4/9/2020 |

polycase
1305 CHESTER IND. PARKWAY AVON, OHIO 44011-1083 U.S.A.
 PH#: 1-800-248-1233, 440-934-0444 FAX#: 440-934-0088

DIN RAIL KIT

REV
-

SCALE: 1:1

SHEET 1 OF 1

8 7 6 5 4 3 2 1