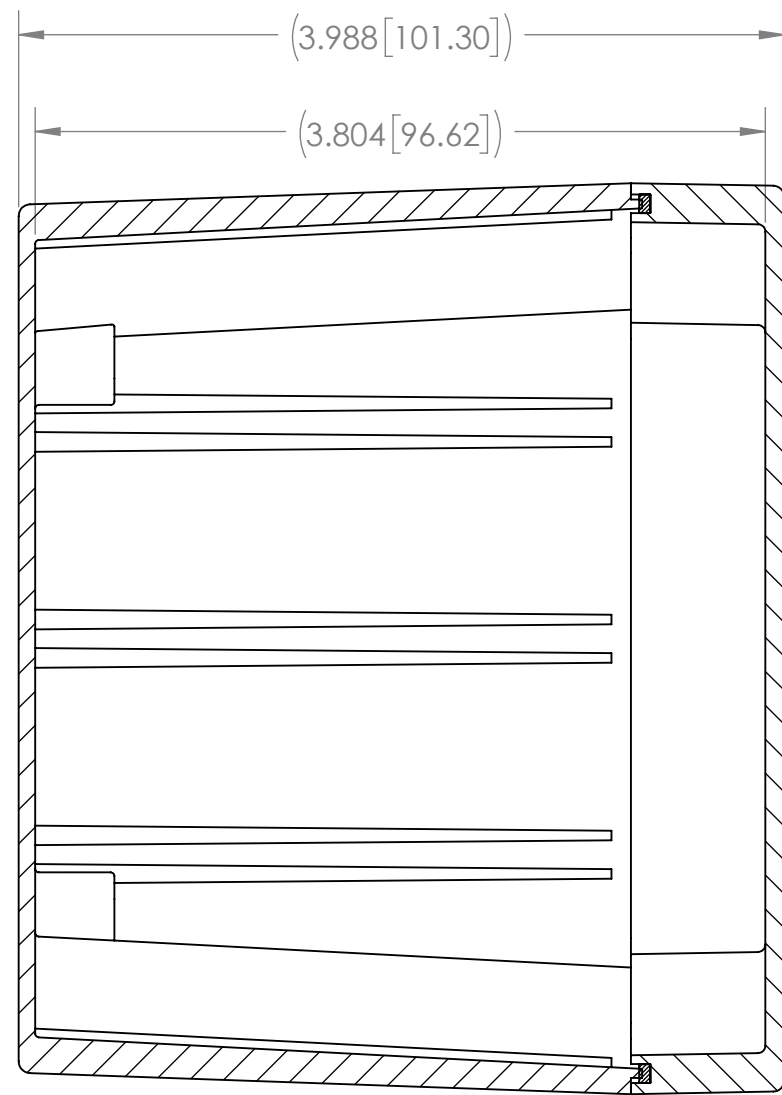
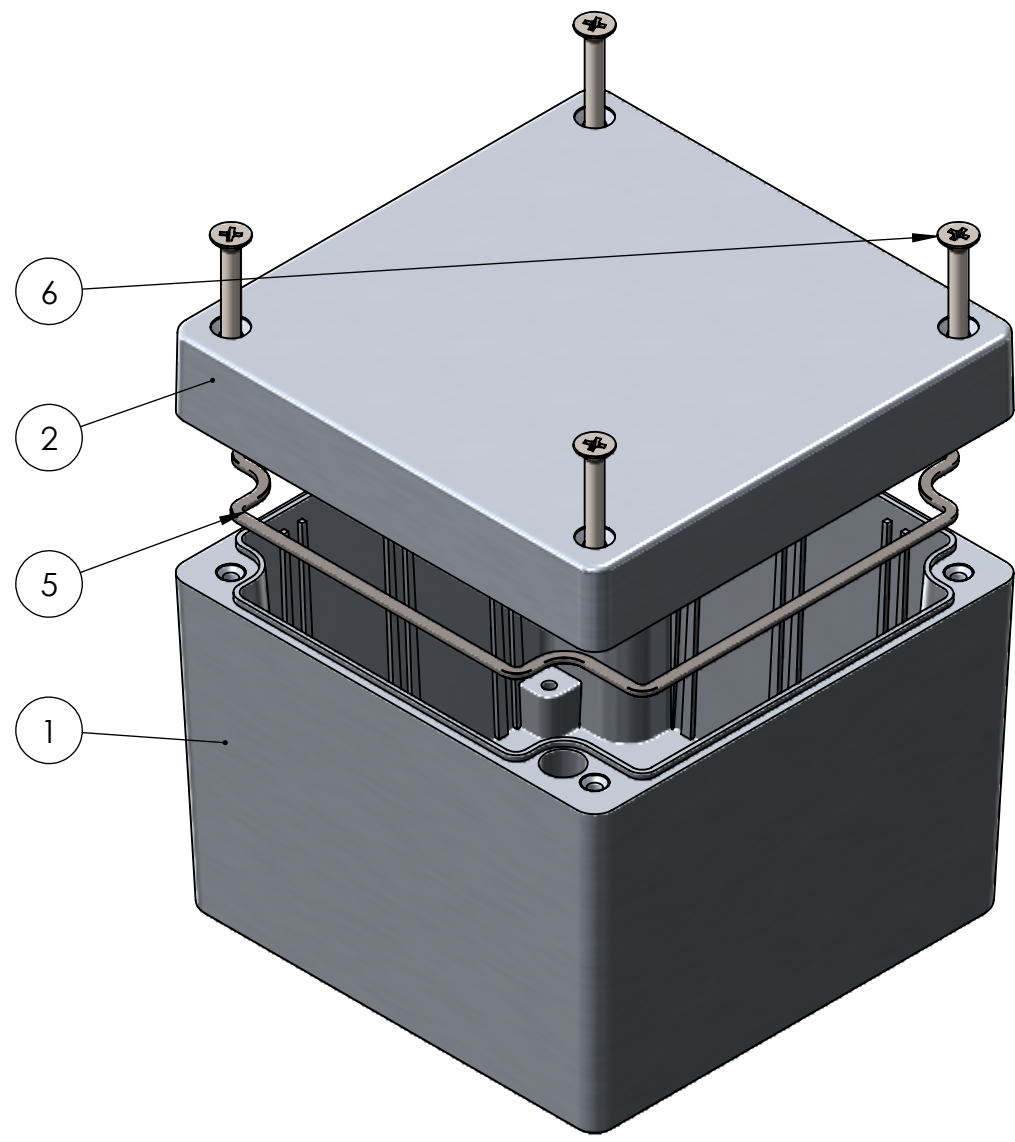
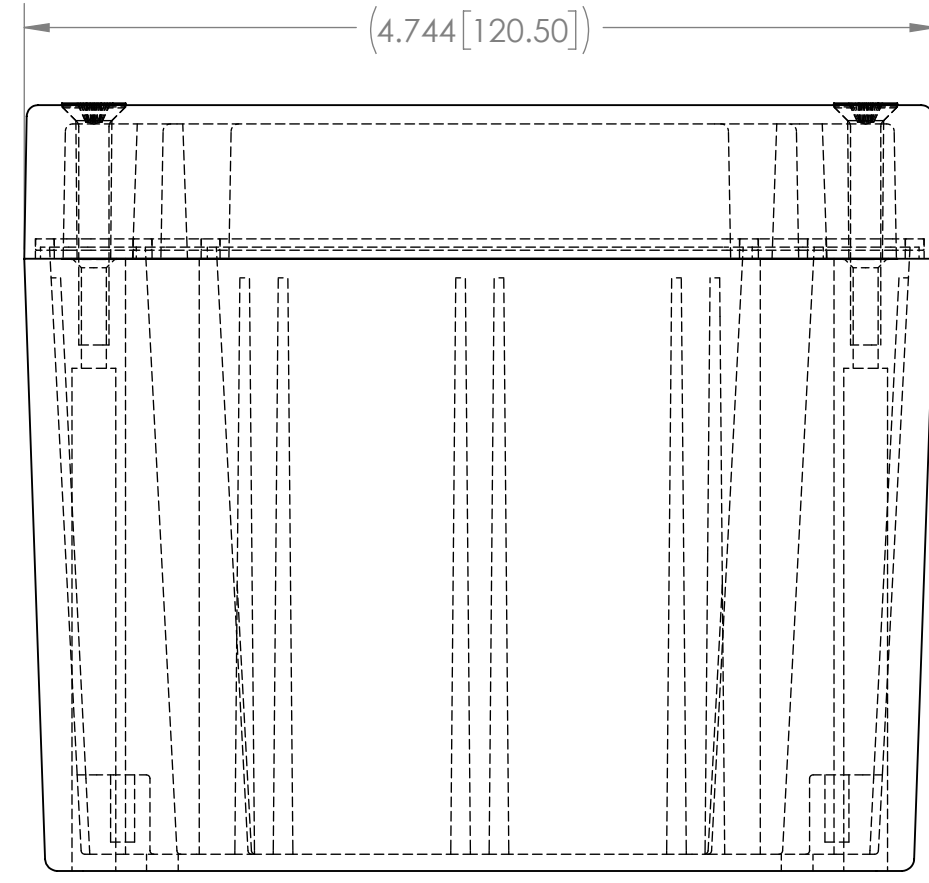
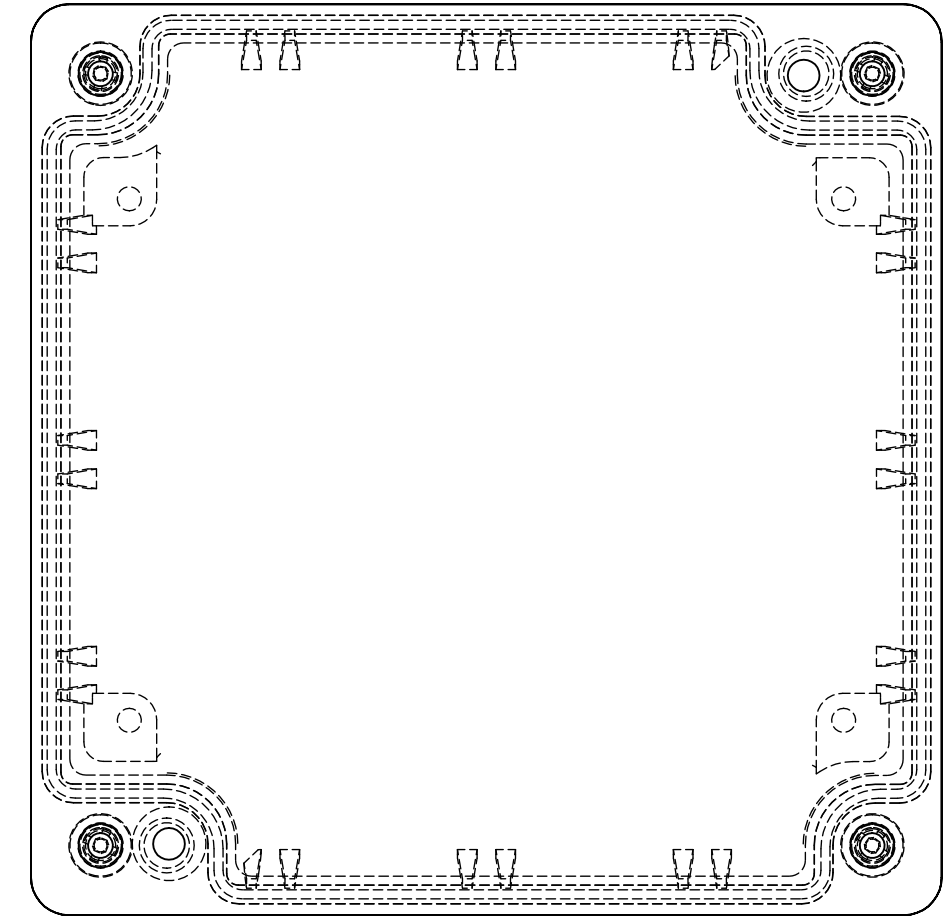
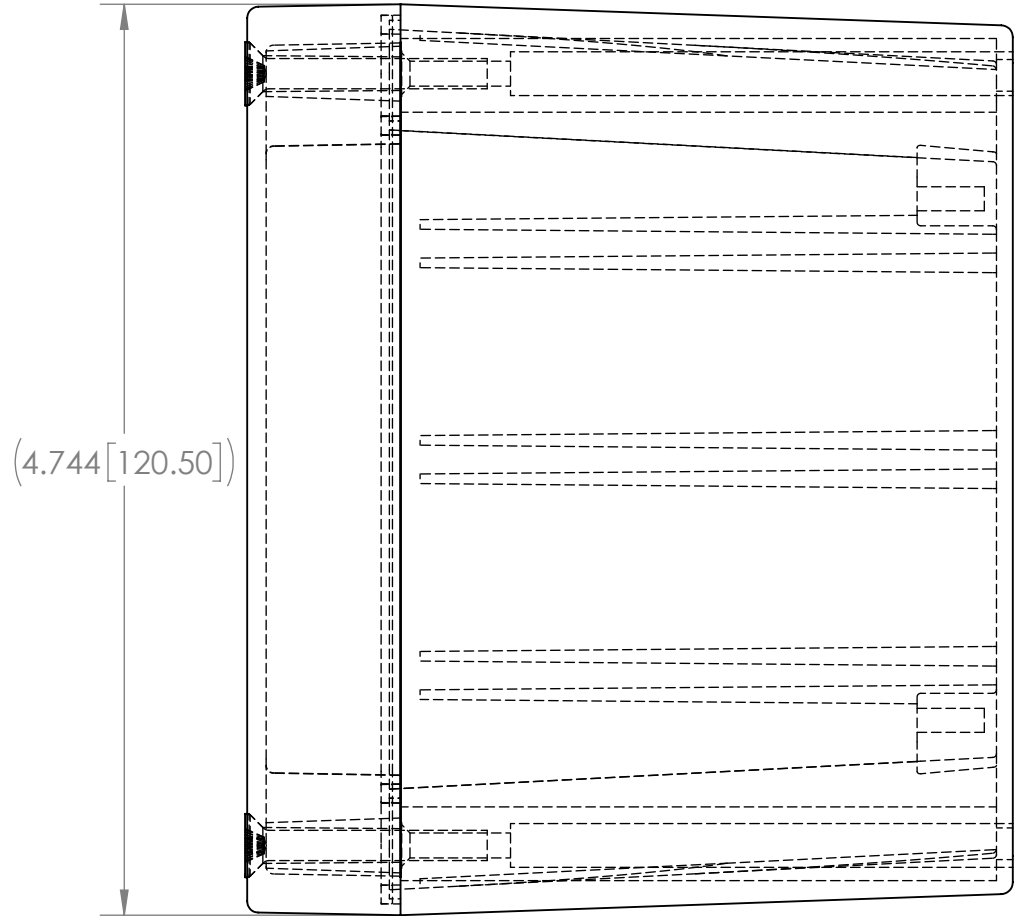
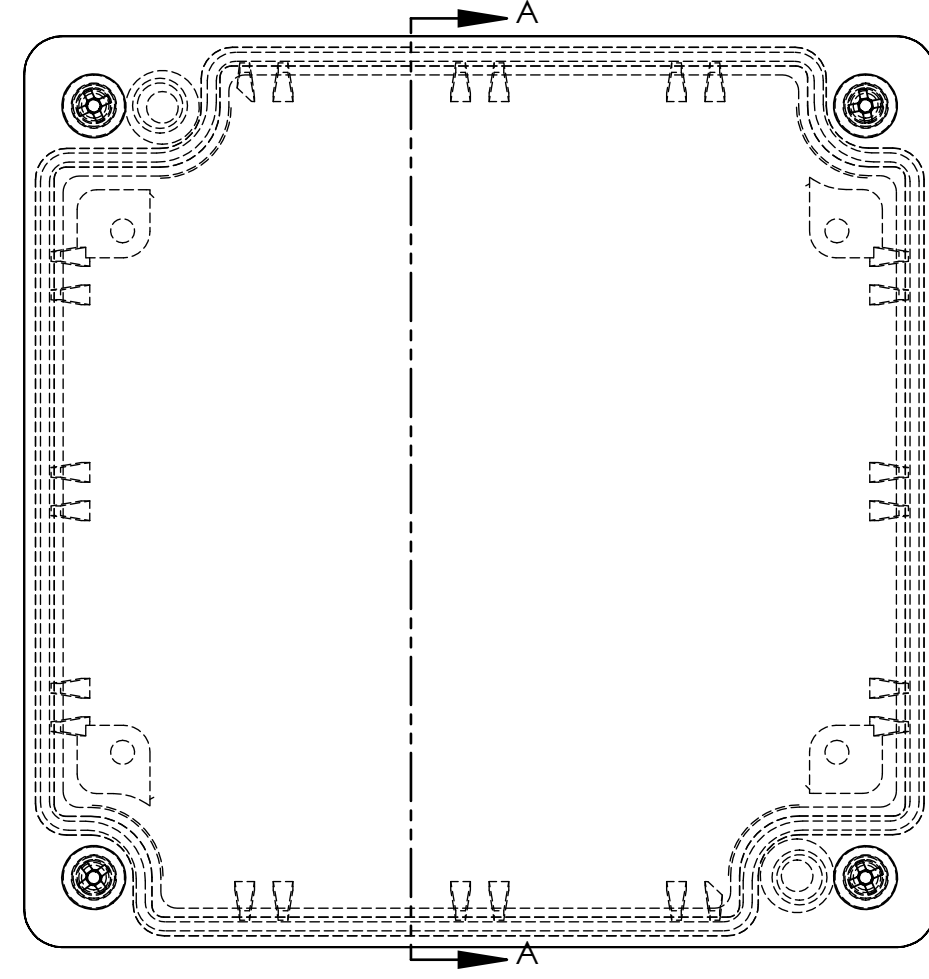


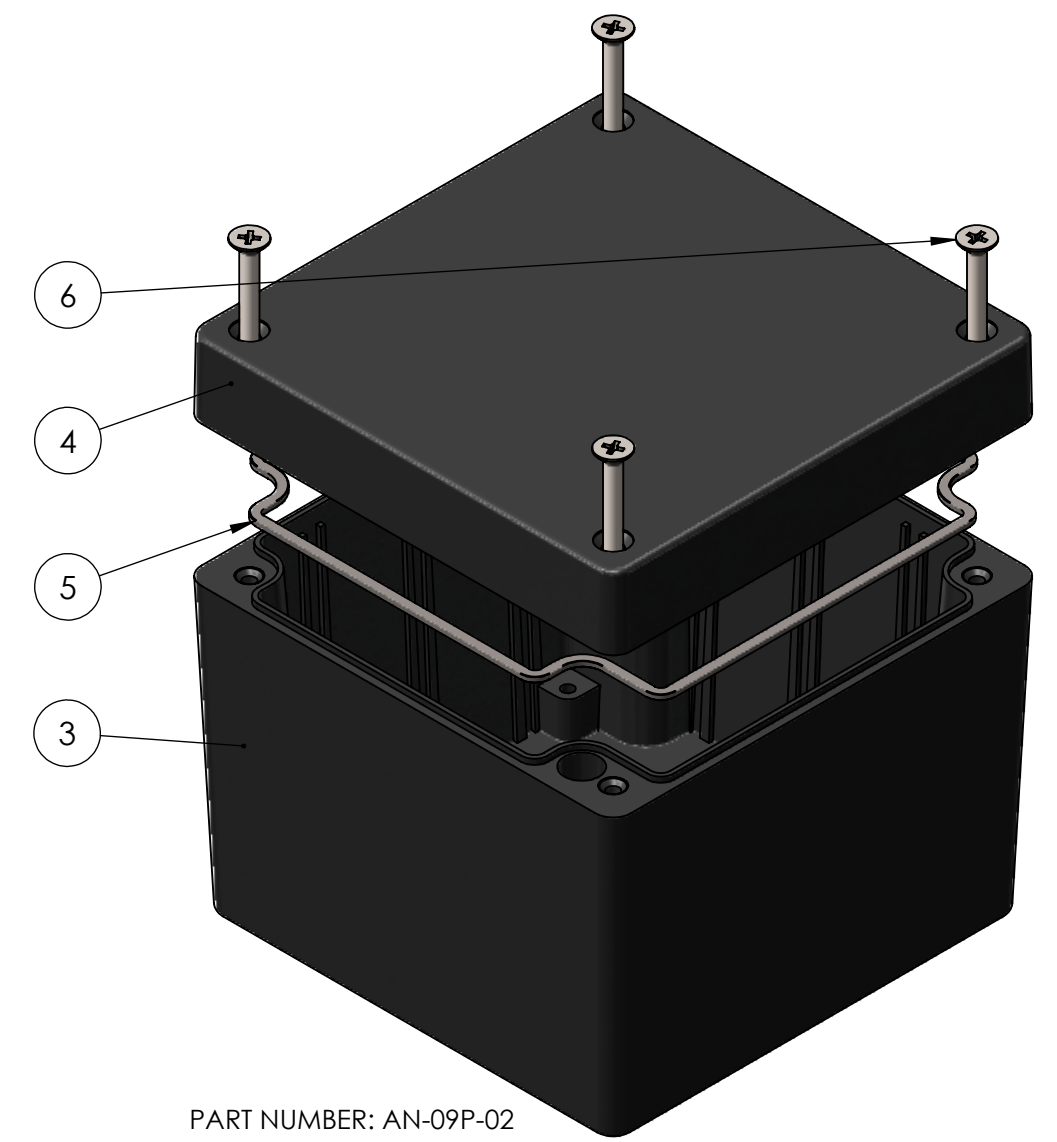
BOM Table							
ITEM NO.	PART NUMBER	Rev.	Description	Material	Color	AN-09P-01/QTY.	AN-09P-02/QTY.
1	AN-09BP-01	-	ALUMINUM NEMA BASE	ALUMINUM ADC12	NATURAL	1	-
2	AN-09C-01	-	COVER	ALUMINUM ADC12	NATURAL	1	-
3	AN-09BP-02	-	ALUMINUM NEMA BASE	ALUMINUM ADC12	BLACK	-	1
4	AN-09C-02	-	COVER	ALUMINUM ADC12	BLACK	-	1
5	GASKET-109-01	-	GASKET	SILICONE	GRAY	1	1
6	SCREWS-036-4	-	M4X0.7 X 32mm FHMS 4-PACK			1	1



SECTION A-A



PART NUMBER: AN-09P-01



PART NUMBER: AN-09P-02

UNLESS OTHERWISE SPECIFIED:  
 DIMENSIONS ARE IN: INCHES[mm]  
 TOLERANCES: ANGULAR: ±2°  
 TWO PLACE DECIMAL: ±.010  
 THREE PLACE DECIMAL: ±.005  
 PRINTED GRAPHICS: ±.010

PROPRIETARY AND CONFIDENTIAL  
 THE INFORMATION CONTAINED IN THIS  
 DRAWING IS THE SOLE PROPERTY OF  
 POLYCASE. ANY REPRODUCTION IN PART  
 OR AS A WHOLE WITHOUT THE WRITTEN  
 PERMISSION OF POLYCASE IS PROHIBITED.  
 CAD FILE: AN-09P

REV.	DESCRIPTION	ZONE	BY	APPR'D	DATE
REVISIONS					

PART NO. AS NOTED	NAME	DATE
MATERIAL AS NOTED	D.M.F.	11/14/2016
FLAME RATING	C.C.B.	12/27/2016

SIZE: C

SCALE: 1:1

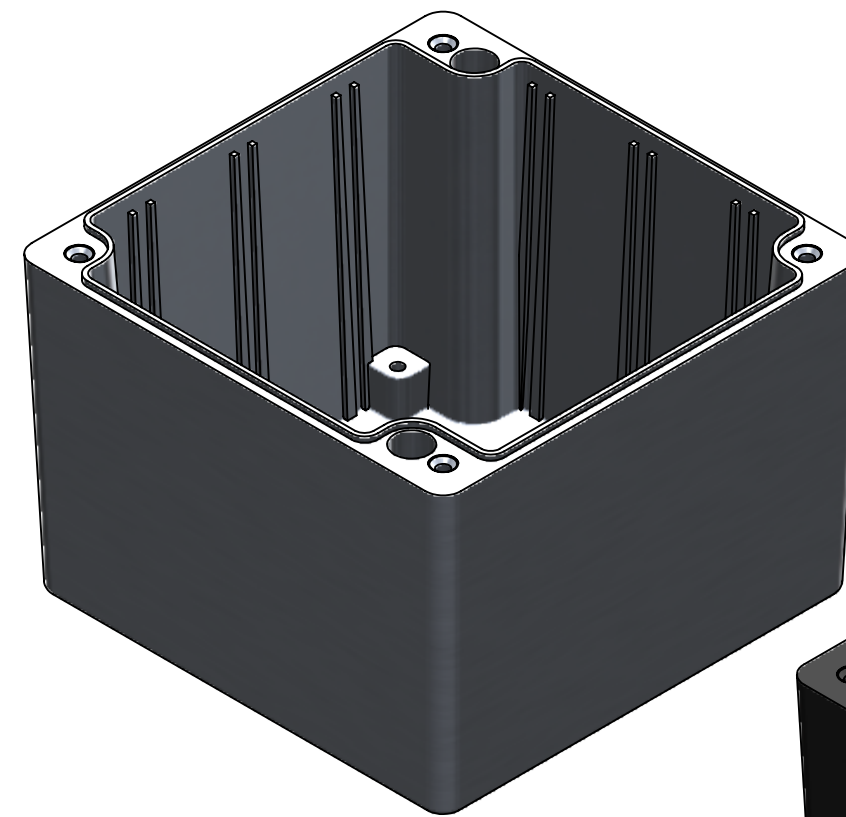
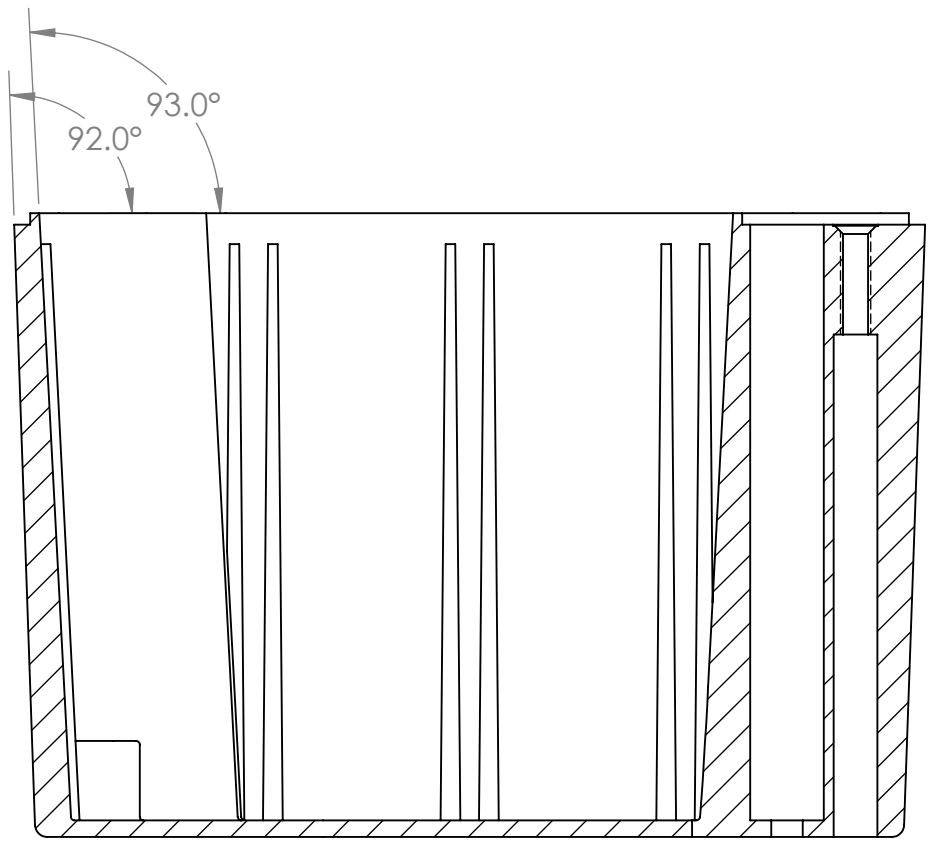
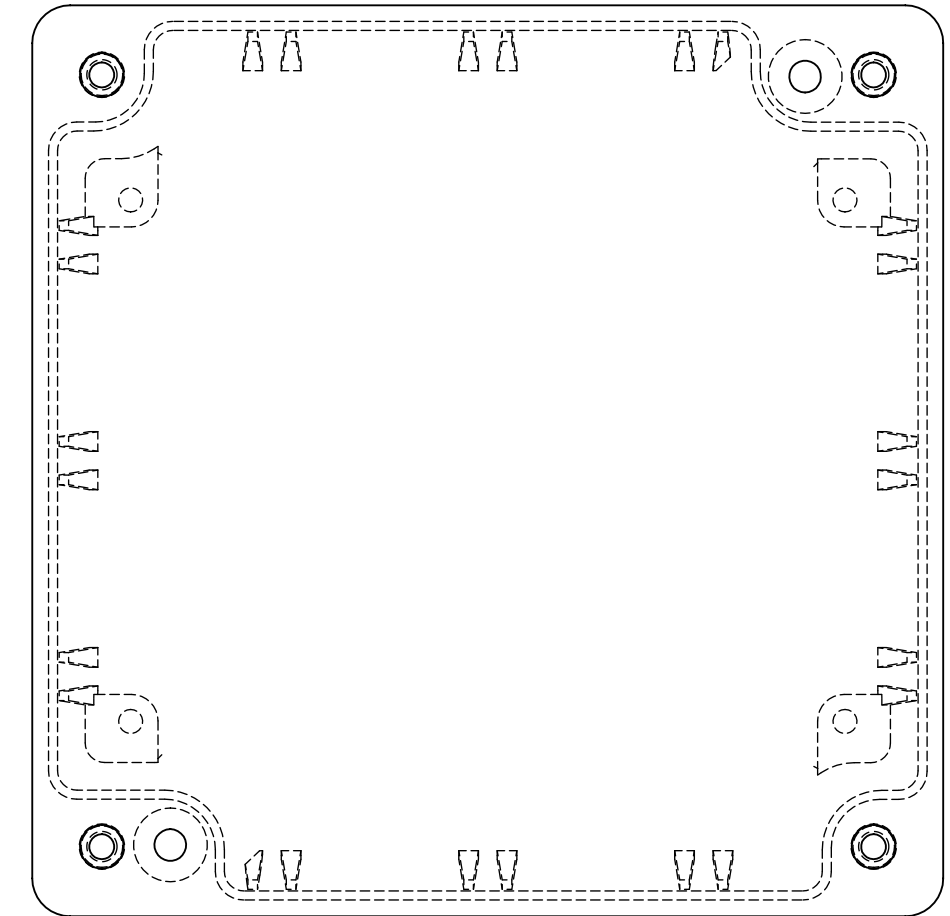
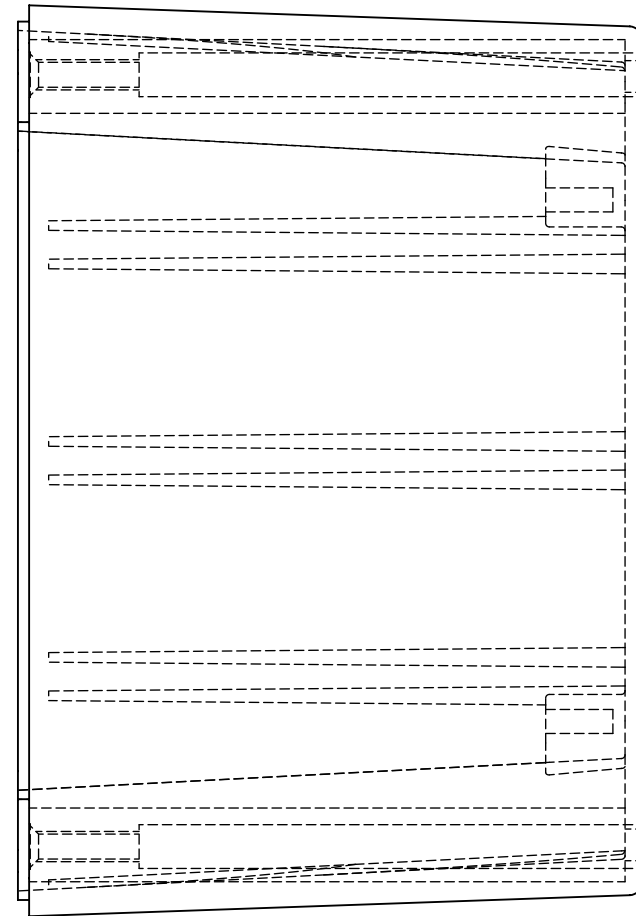
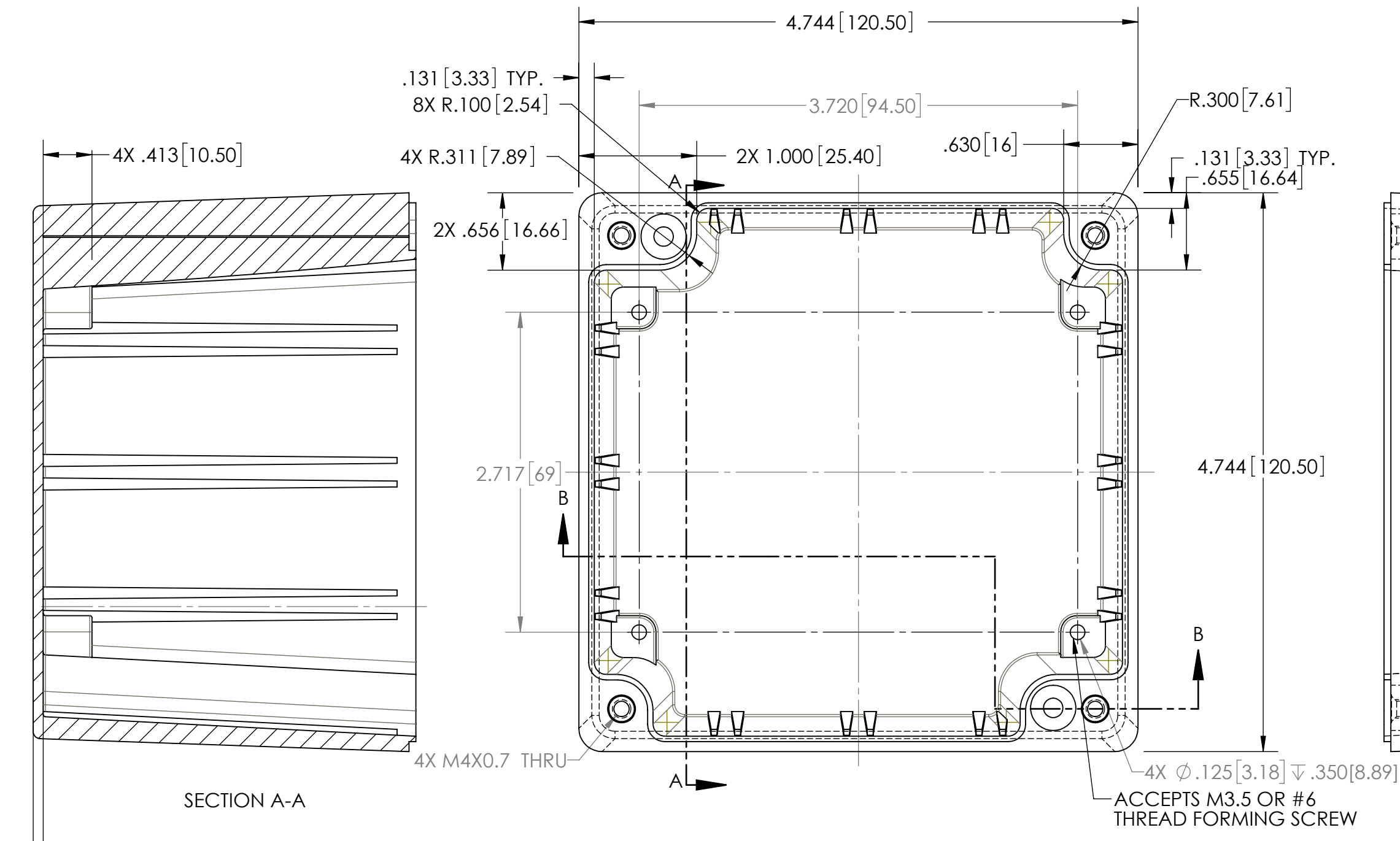
1305 CHESTER RD. PARKWAY AVON, OHIO 44011-1083 U.S.A.  
 PH: 1-800-248-1233, 440-934-0444 FAX: 440-934-0088

polycase

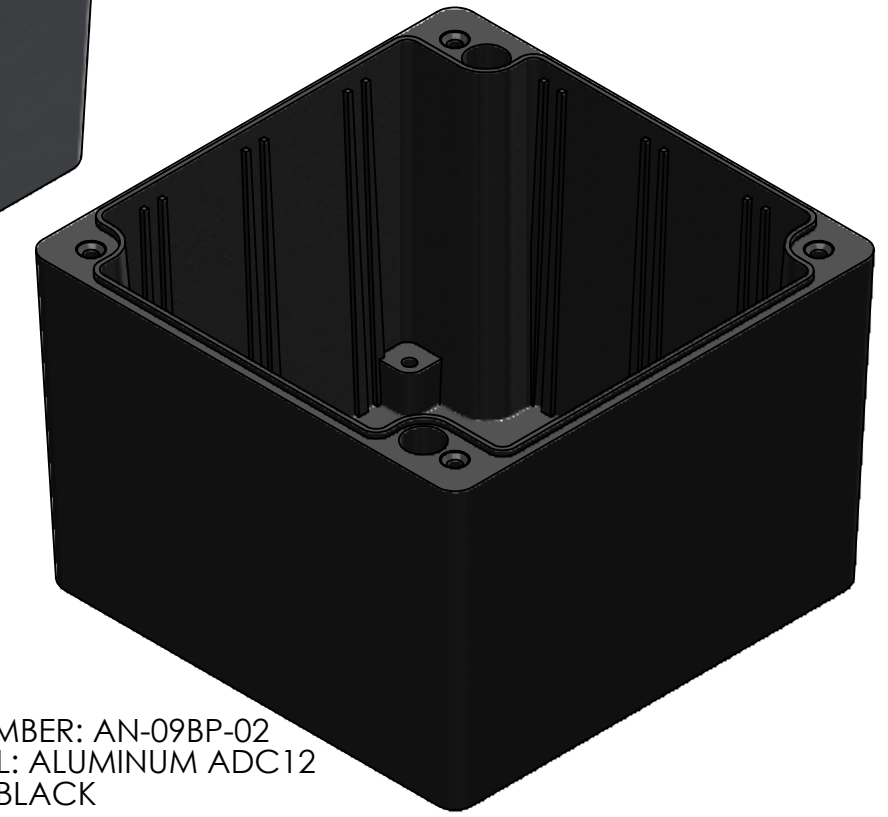
REV

SHEET 1 OF 1

		TOLERANCE CHART													
DIMENSION RANGE	0	.039	.118	.236	.394	.591	.866	1.181	1.575	2.087	2.756	3.543	4.724	6.299	7.874
	TOOL DEPENDENT	±.007	±.007	±.008	±.008	±.009	±.010	±.011	±.012	±.013	±.015	±.017	±.020	±.024	±.028
NON-TOOL DEPENDENT	±.003	±.004	±.004	±.004	±.005	±.006	±.007	±.008	±.009	±.011	±.013	±.016	±.020	±.024	±.031



PART NUMBER: AN-09BP-01  
MATERIAL: ALUMINUM ADC12  
COLOR: NATURAL



PART NUMBER: AN-09BP-02  
MATERIAL: ALUMINUM ADC12  
COLOR: BLACK

UNLESS OTHERWISE SPECIFIED:  
DIMENSIONS ARE IN: INCHES[mm]  
TOLERANCES: ANGULAR: ±.5°  
TWO PLACE DECIMAL: ±.  
THREE PLACE DECIMAL: ±.  
PRINTED GRAPHICS: ±.010

PROPRIETARY AND CONFIDENTIAL  
THE INFORMATION CONTAINED IN THIS  
DRAWING IS THE SOLE PROPERTY OF  
POLYCASE. ANY REPRODUCTION IN PART  
OR AS A WHOLE WITHOUT THE WRITTEN  
PERMISSION OF POLYCASE IS PROHIBITED.  
CAD FILE: AN-09BP

REV.	DESCRIPTION	ZONE	BY	APPR'D	DATE
REVISIONS					

PART NO. AS NOTED  
MATERIAL AS NOTED  
FLAME RATING -  
SIZE C  
SCALE: 1:1

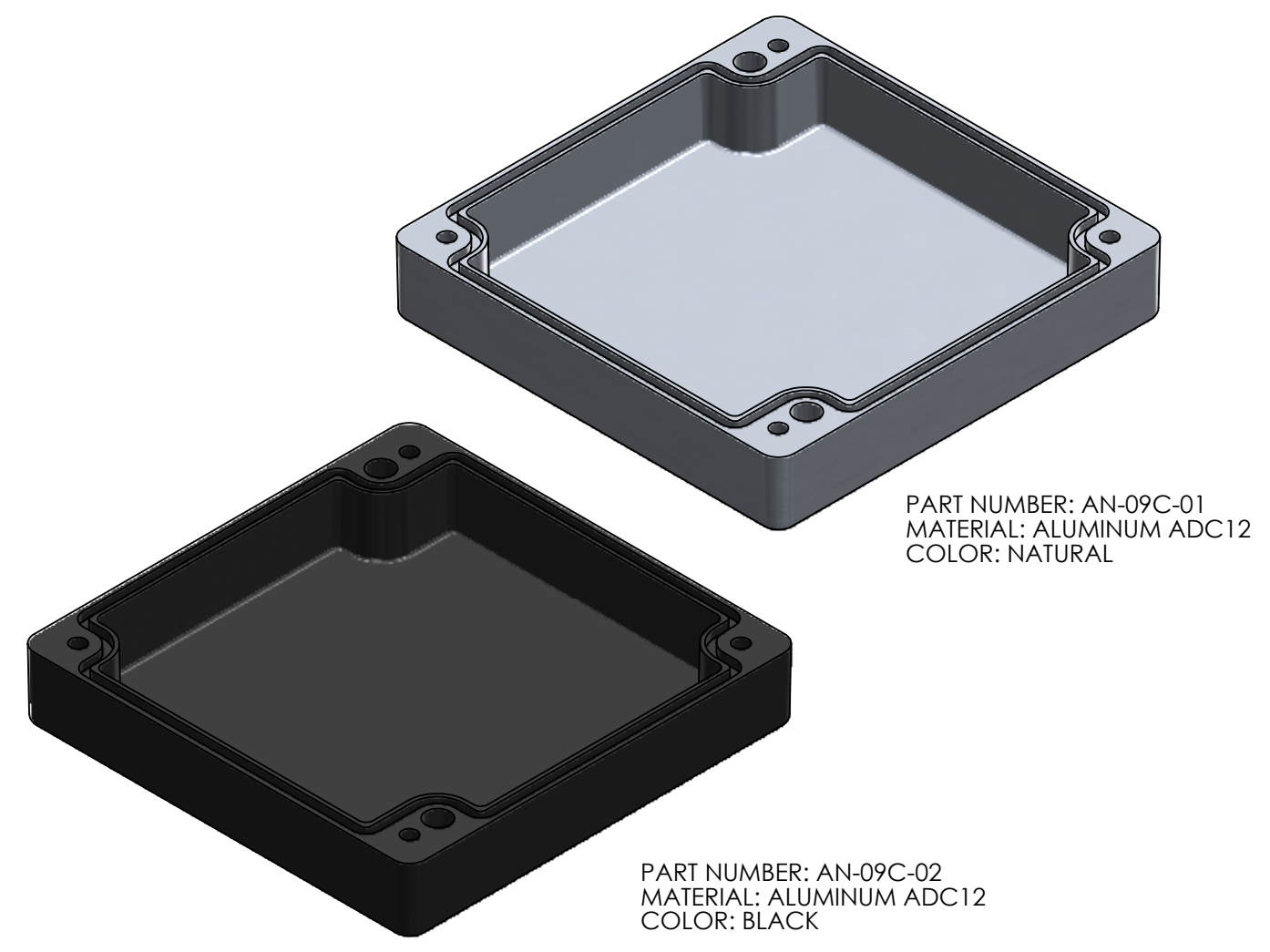
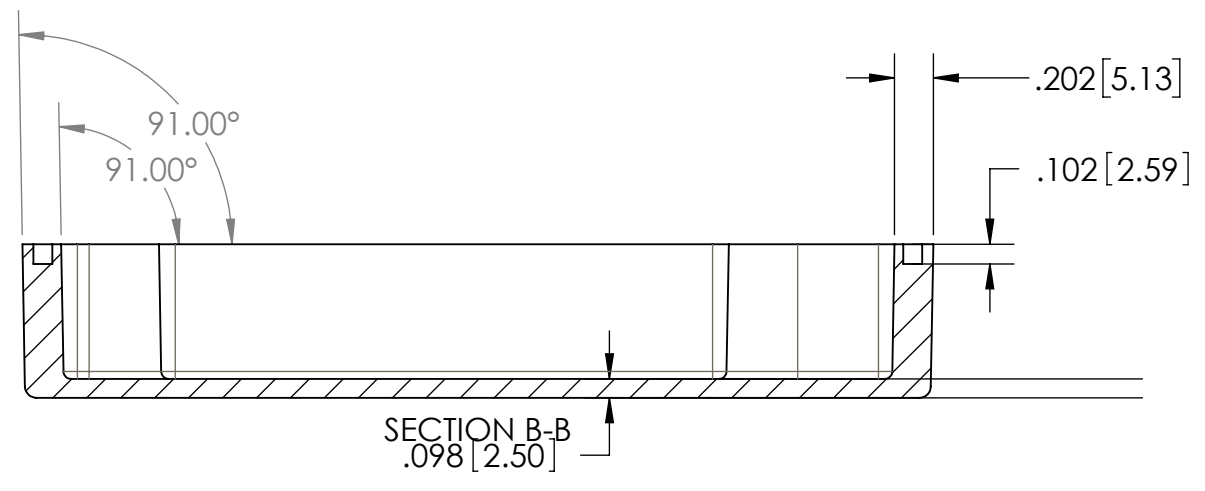
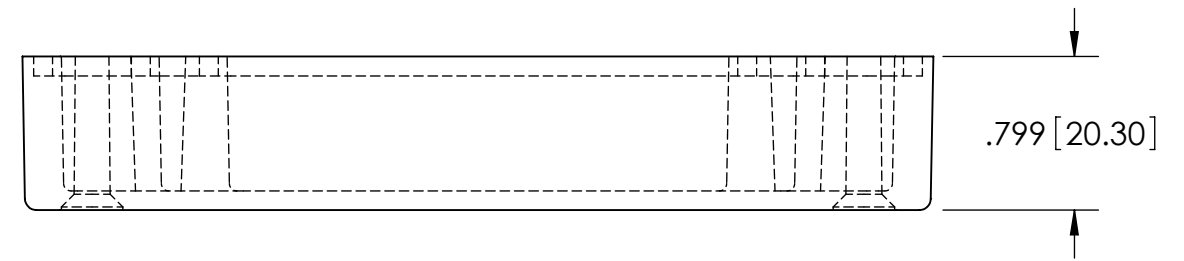
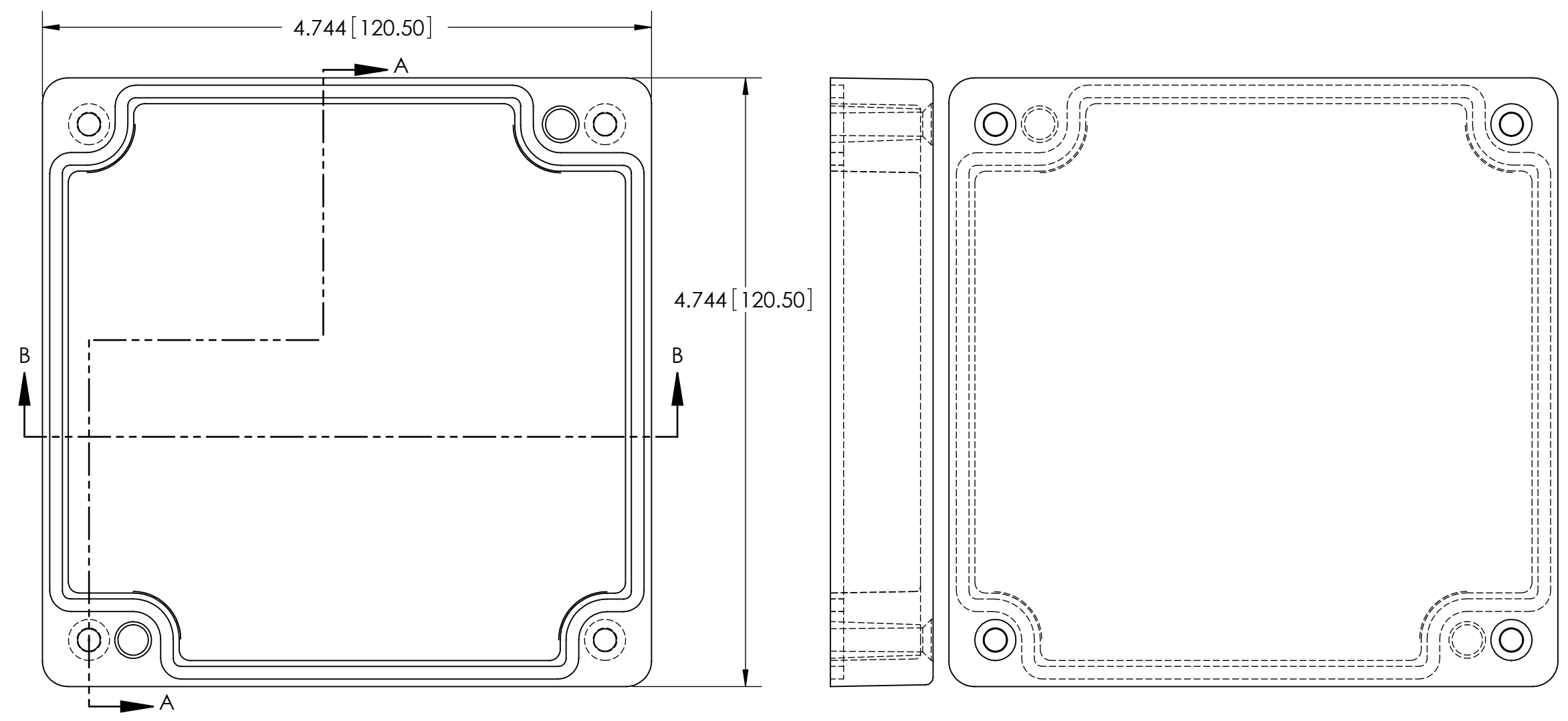
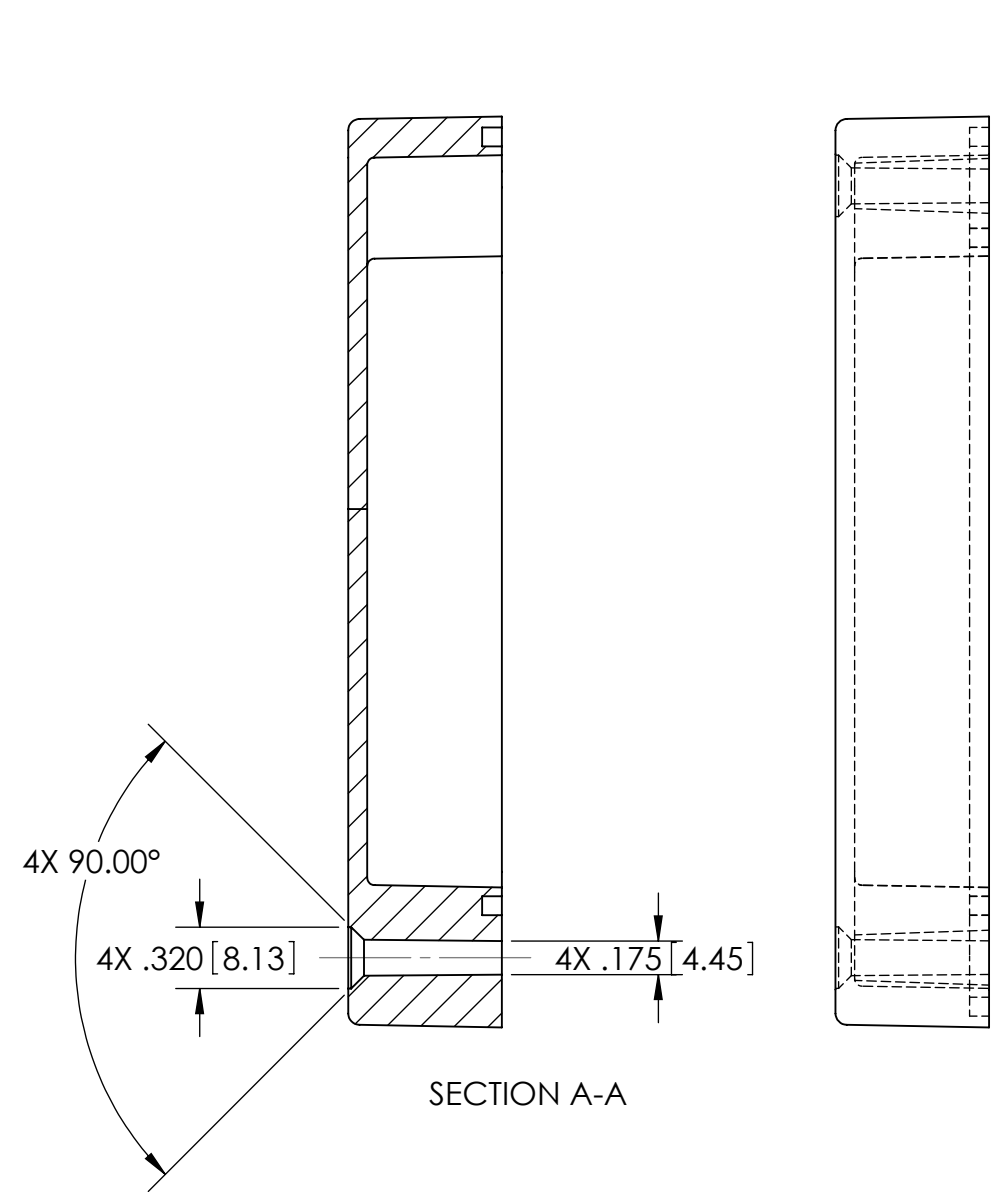
1305 CHESTER RD. PARKWAY AVON, OHIO 44011-1083 U.S.A.  
PH: 1-800-248-1233 440-934-0444 FAX: 440-934-0088

polycase  
DRAWN: D.M.F. 11/15/2016  
CHECKED: C.C.B. 12/27/2016

REV -  
SHEET 1 OF 1

REV.	DESCRIPTION	ZONE	BY	APPR'D	DATE
REVISIONS					

		TOLERANCE CHART																			
DIMENSION RANGE	0	.039	.118	.236	.394	.591	.866	1.181	1.575	2.087	2.756	3.543	4.724	6.299	7.874	9.843	12.402	15.748	19.685	24.803	31.496
TOOL DEPENDENT	±.007	±.007	±.008	±.008	±.009	±.010	±.011	±.012	±.013	±.015	±.017	±.020	±.024	±.028	±.035	.043	.051	.063	.079	.098	.118
NON-TOOL DEPENDENT	±.003	±.004	±.004	±.004	±.005	±.006	±.007	±.008	±.009	±.011	±.013	±.016	±.020	±.024	±.031	.039	.047	.059	.075	.094	.114



REV.	DESCRIPTION	ZONE	BY	APPR'D	DATE
REVISIONS					

UNLESS OTHERWISE SPECIFIED:  
 DIMENSIONS ARE IN: INCHES[mm]  
 TOLERANCES: ANGULAR: ±.5°  
 TWO PLACE DECIMAL: ±  
 THREE PLACE DECIMAL: ±  
 PRINTED GRAPHICS: ±.010

PROPRIETARY AND CONFIDENTIAL  
 THE INFORMATION CONTAINED IN THIS  
 DRAWING IS THE SOLE PROPERTY OF  
 POLYCASE. ANY REPRODUCTION IN PART  
 OR AS A WHOLE WITHOUT THE WRITTEN  
 PERMISSION OF POLYCASE IS PROHIBITED.  
 CAD FILE: AN-09C

PART NO.  
AS NOTED

MATERIAL  
AS NOTED

FLAME RATING  
-

NAME  
D.M.F.

DATE  
11/15/2016

SIZE  
C

SCALE: 1:1

COVER

REV  
-

1305 CHESTER RD. PARKWAY AVON, OHIO 44011-1083 U.S.A.  
 PHF: 1-800-248-1233, 440-934-0444 FAX: 440-934-0088

SHEET 1 OF 1