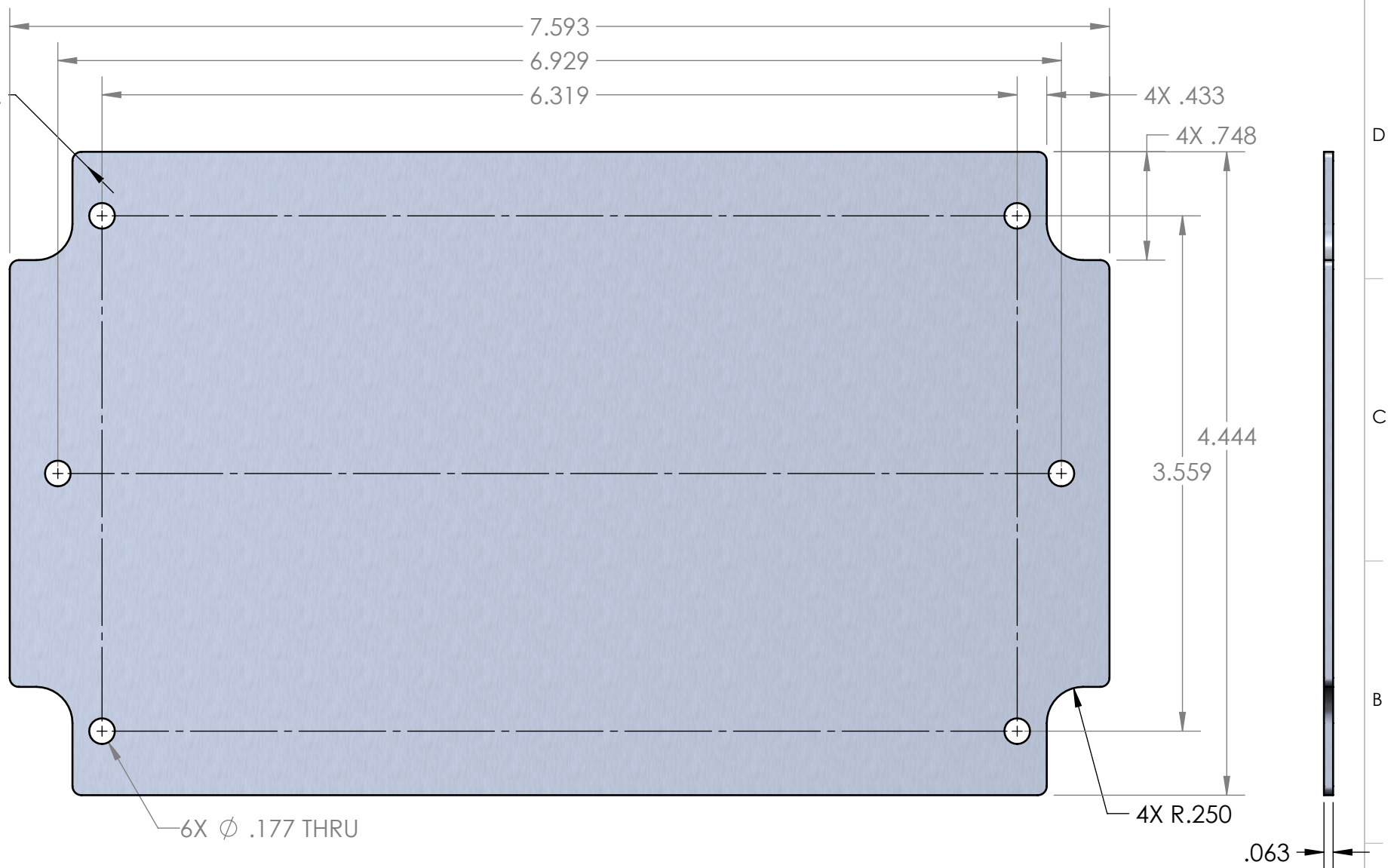




R.063 TYP.



NOTES:
1. BREAK ALL EDGES .005 MAX

UNLESS OTHERWISE SPECIFIED: DIMENSIONS ARE IN: INCHES[mm] TOLERANCES: ANGULAR: $\pm 2^\circ$ TWO PLACE DECIMAL: $\pm .010$ THREE PLACE DECIMAL: $\pm .005$ PRINTED GRAPHICS: $\pm .010$	PART NO. SG-22P		 <small>1305 CHESTER IND. PARKWAY AVON, OHIO 44011-1083 U.S.A. PH#: 1-800-248-1233, 440-934-0444 FAX#: 440-934-0088</small>																		
	MATERIAL AL 5052-H32																				
PROPRIETARY AND CONFIDENTIAL THE INFORMATION CONTAINED IN THIS DRAWING IS THE SOLE PROPERTY OF POLYCASE. ANY REPRODUCTION IN PART OR AS A WHOLE WITHOUT THE WRITTEN PERMISSION OF POLYCASE IS PROHIBITED. CAD FILE: SG-22P	FLAME RATING	SIZE A	MOUNTING PANEL																		
		SCALE: 1:1	REV -																		
<table border="1"> <thead> <tr> <th>REV.</th> <th>DESCRIPTION</th> <th>ZONE</th> <th>BY</th> <th>APPR'D</th> <th>DATE</th> </tr> </thead> <tbody> <tr> <td colspan="6" style="text-align: center;">REVISIONS</td> </tr> </tbody> </table>	REV.	DESCRIPTION	ZONE	BY	APPR'D	DATE	REVISIONS						<table border="1"> <thead> <tr> <th>NAME</th> <th>DATE</th> </tr> </thead> <tbody> <tr> <td>D.M.F.</td> <td>10/9/2017</td> </tr> <tr> <td>C.C.B.</td> <td>10/10/2017</td> </tr> </tbody> </table>	NAME	DATE	D.M.F.	10/9/2017	C.C.B.	10/10/2017		SHEET 1 OF 1
REV.	DESCRIPTION	ZONE	BY	APPR'D	DATE																
REVISIONS																					
NAME	DATE																				
D.M.F.	10/9/2017																				
C.C.B.	10/10/2017																				

5

4

3

2

1

D

C

B

A