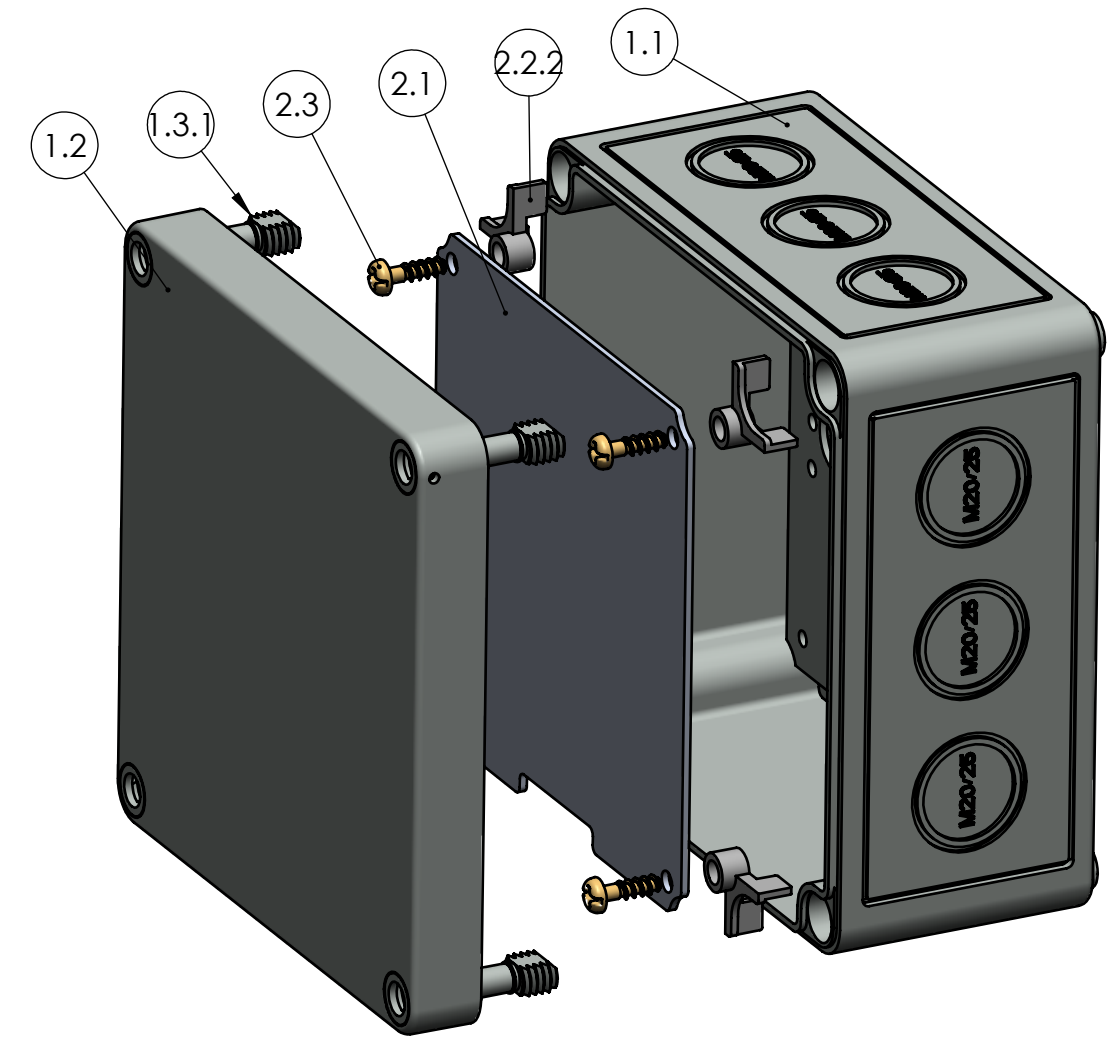


BOM Table				
ITEM NO.	PART NUMBER	Rev.	Description	QTY.
1	SK-16-02	-		1
1.1	SK-16B-02	-	BASE	1
1.2	SK-16C-02	-	COVER	1
1.3	SK-KIT-03	-	HARDWARE KIT	1
1.3.1	SCREWS-014	-	ASSEMBLY FASTENER	4
1.3.2	SK-CAP-02	-	SCREW HEAD CAP	4
2	SK-16K	1	MOUNTING PLATE KIT	1
2.1	SK-16P	1	MOUNTING PANEL	1
2.2	SK-97S	-	SPACERS WITH RUNNER	1
2.2.1	SK-97S-02^SK-97S	-	CAPTIVE BOSS	4
2.2.2	SK-97S-01^SK-97S	-	CORNER BOSS	4
2.3	SCREWS-024	-	M3.85x1.8 SPAX X 13mm, PAN HEAD, PHILLIPS/SLOTTED	4



NOTES:
1. PANEL KIT AND ENCLOSURE ARE SOLD SEPARATELY

REV.	DESCRIPTION	ZONE	BY	APPR'D	DATE
1	REVISED PANEL		C.C.B.	C.C.B.	9/29/2017
REVISIONS					

UNLESS OTHERWISE SPECIFIED:
DIMENSIONS ARE IN: INCHES [mm]
TOLERANCES: ANGULAR: ±2°
TWO PLACE DECIMAL: ±.010
THREE PLACE DECIMAL: ±.005
PRINTED GRAPHICS: ±.010

PROPRIETARY AND CONFIDENTIAL
THE INFORMATION CONTAINED IN THIS
DRAWING IS THE SOLE PROPERTY OF
POLYCASE. ANY REPRODUCTION IN PART
OR AS A WHOLE WITHOUT THE WRITTEN
PERMISSION OF POLYCASE IS PROHIBITED.
CAD FILE: SK-16KA

PART NO.
SK-16KA
MATERIAL

FLAME RATING

SIZE
B

ENCLOSURE W/PANEL KIT

REV
1

SCALE: 1:1.5

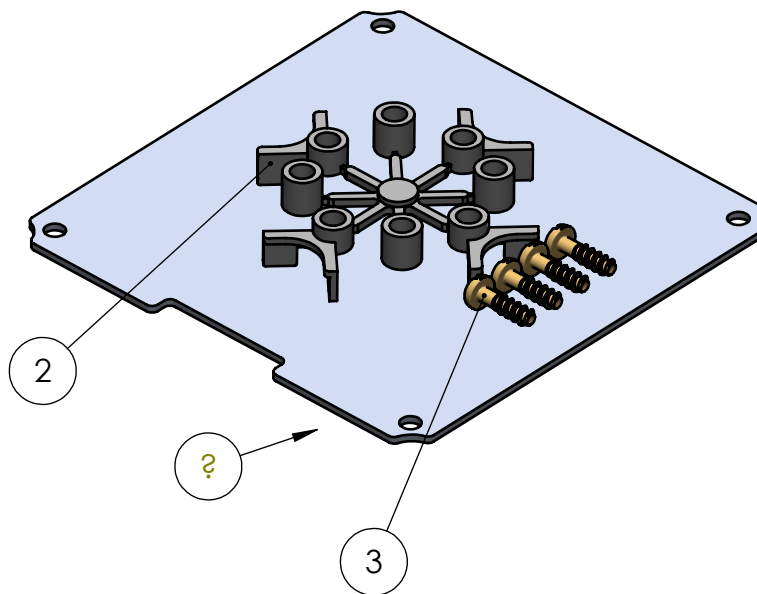
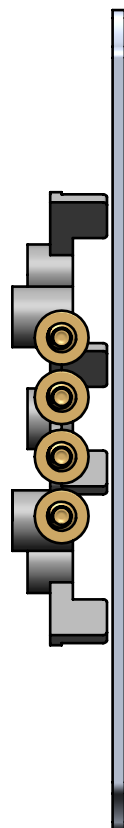
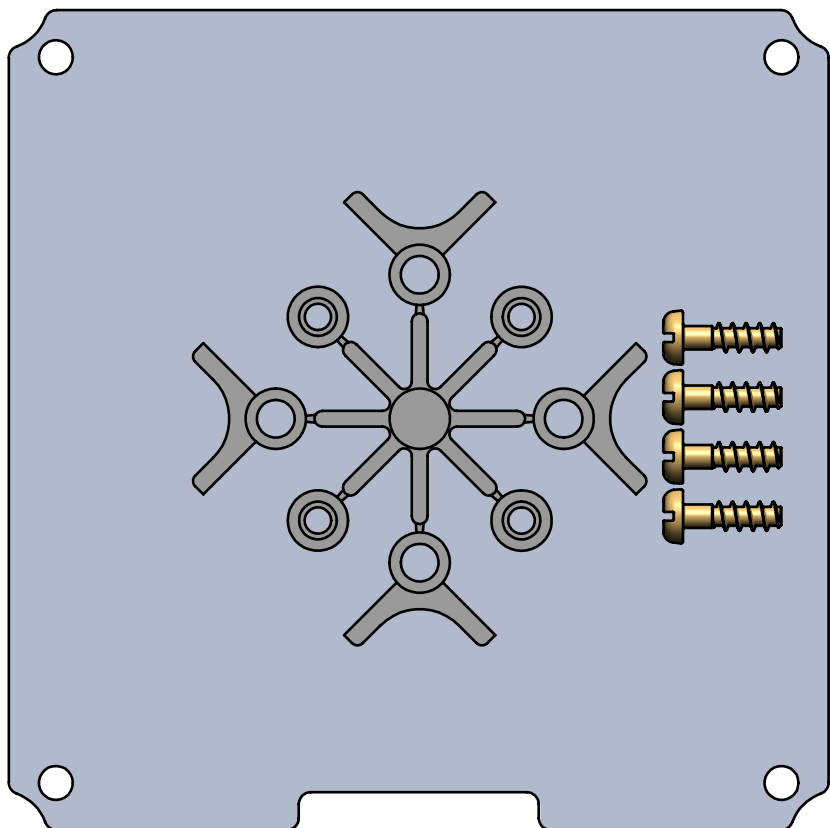
SHEET 1 OF 2


1305 CHESTER IND. PARKWAY AVON, OHIO 44011-1083 U.S.A.
PH#: 1-800-248-1233, 440-934-0444 FAX#: 440-934-0088

polycase

DRAWN: D.M.F. 10/21/2015
CHECKED: B.M.B. 10/23/2015

BOM Table					
ITEM NO.	PART NUMBER	Rev.	Description	Material	QTY.
1	SK-16P	1	MOUNTING PANEL	AL 5052-H32	1
2	SK-97S	-	SPACERS WITH RUNNER	PS	1
3	SCREWS-024	-	M3.85x1.8 SPAX X 13mm, PAN HEAD, PHILLIPS/SLOTTED	QSt36-3	4



UNLESS OTHERWISE SPECIFIED: DIMENSIONS ARE IN: INCHES [mm] TOLERANCES: ANGULAR: ±2° TWO PLACE DECIMAL: ±.010 THREE PLACE DECIMAL: ±.005 PRINTED GRAPHICS: ±.010		PART NO. SK-16K		 <small>1305 CHESTER IND. PARKWAY AVON, OHIO 44011-1083 U.S.A. PH#: 1-800-248-1233, 440-934-0444 FAX#: 440-934-0088</small>	
PROPRIETARY AND CONFIDENTIAL THE INFORMATION CONTAINED IN THIS DRAWING IS THE SOLE PROPERTY OF POLYCASE. ANY REPRODUCTION IN PART OR AS A WHOLE WITHOUT THE WRITTEN PERMISSION OF POLYCASE IS PROHIBITED. CAD FILE: SK-16K		MATERIAL			
FLAME RATING		SIZE A		MOUNTING PLATE KIT	
DRAWN D.M.F. 10/16/2015		NAME B.M.B. 10/22/2015		REV 1	
CHECKED		SCALE: 1:1		SHEET 1 OF 1	

REV.	DESCRIPTION	ZONE	BY	APPR'D	DATE
1	REVISED PANEL		C.C.B.	C.C.B.	9/29/2017
REVISIONS					

5

4

3

2

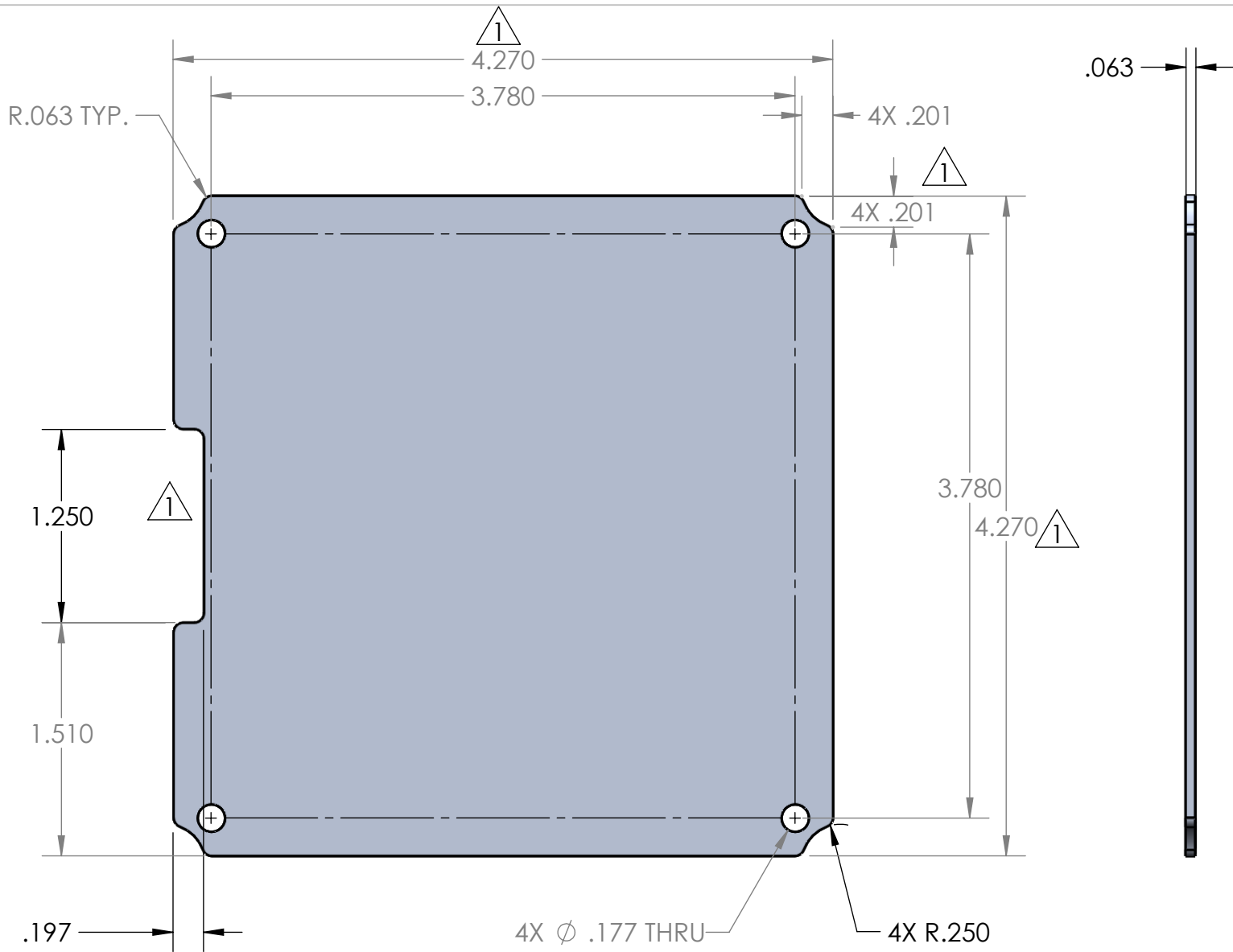
1

D

C

B

A



NOTES:
1. BREAK ALL EDGES .005 MAX

UNLESS OTHERWISE SPECIFIED:
DIMENSIONS ARE IN: INCHES[mm]
TOLERANCES: ANGULAR: $\pm 2^\circ$
TWO PLACE DECIMAL: $\pm .010$
THREE PLACE DECIMAL: $\pm .005$
PRINTED GRAPHICS: $\pm .010$

PROPRIETARY AND CONFIDENTIAL
THE INFORMATION CONTAINED IN THIS
DRAWING IS THE SOLE PROPERTY OF
POLYCASE. ANY REPRODUCTION IN PART
OR AS A WHOLE WITHOUT THE WRITTEN
PERMISSION OF POLYCASE IS PROHIBITED.
CAD FILE: SK-16P

PART NO.
SK-16P

MATERIAL
AL 5052-H32

FLAME RATING

SIZE
A

MOUNTING PANEL

REV
1

	NAME	DATE
DRAWN	D.M.F.	9/11/2015
CHECKED	B.M.B.	10/22/2015

SCALE: 1:1



SHEET 1 OF 1

REV.	DESCRIPTION	ZONE	BY	APPR'D	DATE
1	4.270 WAS 4.782 4.270 WAS 4.782 4X .201 WAS 4X .457 (2 PLACES) ADDED CLEARANCE FOR CABLE GLAND	C2, C5, D2, D4	C.C.B.	C.C.B.	9/12/2017
REVISIONS					

5

4

3

2

1

D

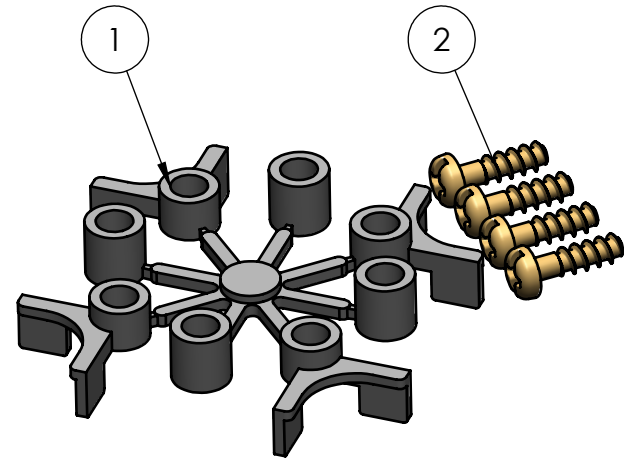
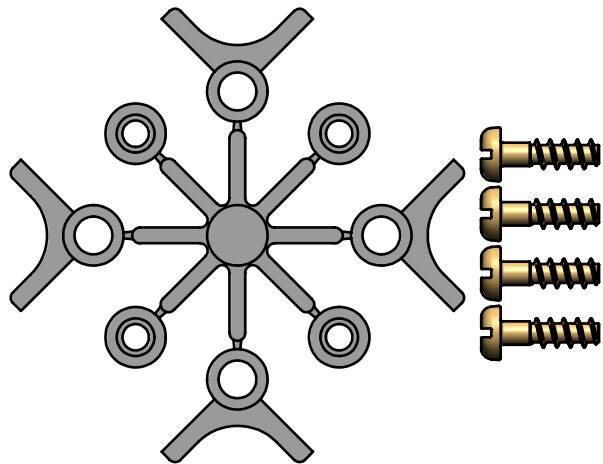
C

B

A

BOM Table

ITEM NO.	PART NUMBER	Rev.	Description	Material	QTY.
1	SK-97S	-	SPACERS WITH RUNNER	PS	1
2	SCREWS-024	-	M3.85x1.8 SPAX X 13mm, PAN HEAD, PHILLIPS/SLOTTED	QSt36-3	4



UNLESS OTHERWISE SPECIFIED:
 DIMENSIONS ARE IN: INCHES[mm]
 TOLERANCES: ANGULAR: ±2°
 TWO PLACE DECIMAL: ±.010
 THREE PLACE DECIMAL: ±.005
 PRINTED GRAPHICS: ±.010

PROPRIETARY AND CONFIDENTIAL
 THE INFORMATION CONTAINED IN THIS
 DRAWING IS THE SOLE PROPERTY OF
 POLYCASE. ANY REPRODUCTION IN PART
 OR AS A WHOLE WITHOUT THE WRITTEN
 PERMISSION OF POLYCASE IS PROHIBITED.
 CAD FILE: SK-97

PART NO.
SK-97

MATERIAL

FLAME RATING

SIZE
A

SCALE: 1:1

polycase
 1305 CHESTER IND. PARKWAY AVON, OHIO 44011-1083 U.S.A.
 PH#: 1-800-248-1233, 440-934-0444 FAX#: 440-934-0088

SPACER KIT

REV
 -

SHEET 1 OF 1

REV.	DESCRIPTION	ZONE	BY	APPR'D	DATE
REVISIONS					

5

4

3

2

1

D
C
B
A