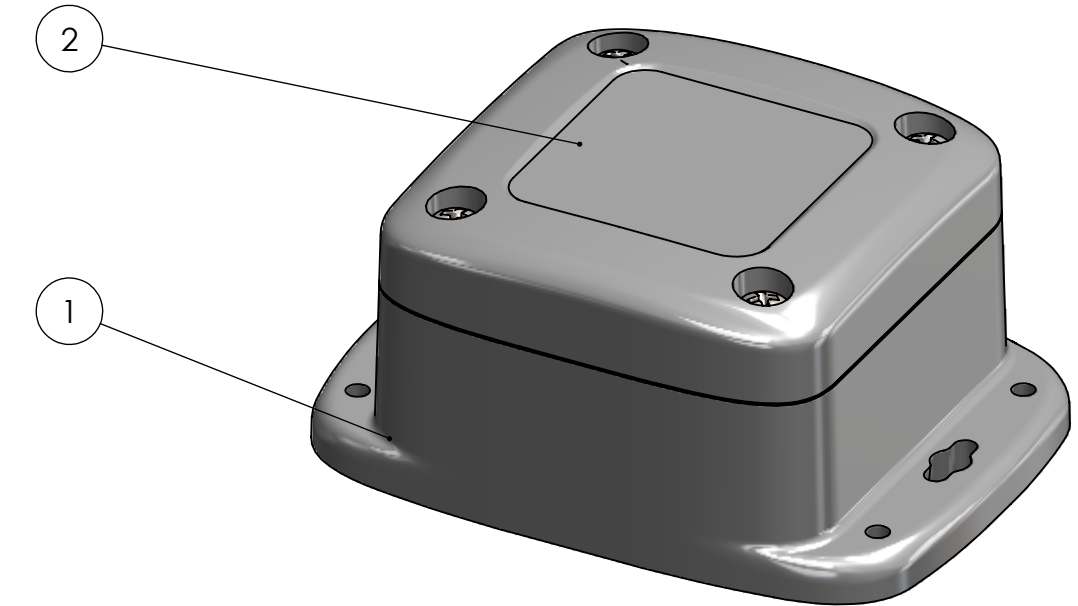
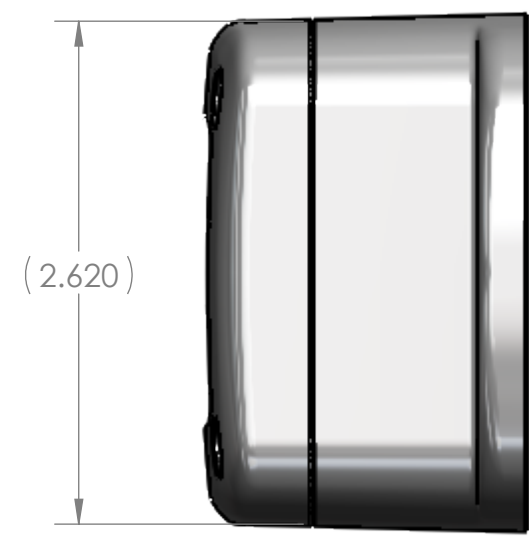
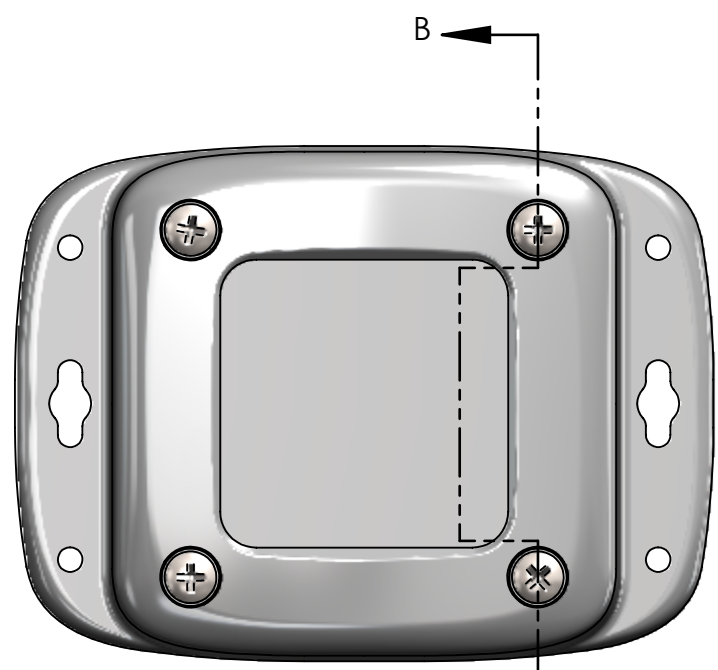
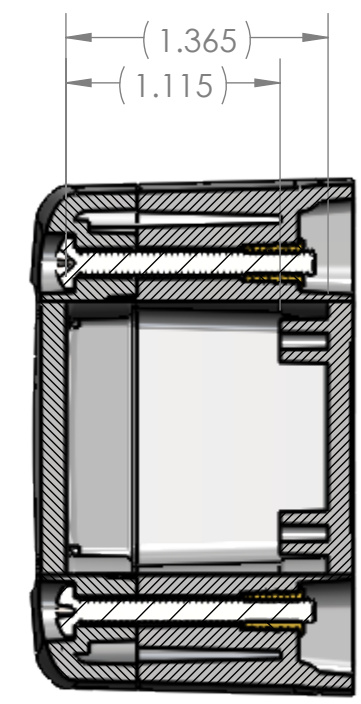
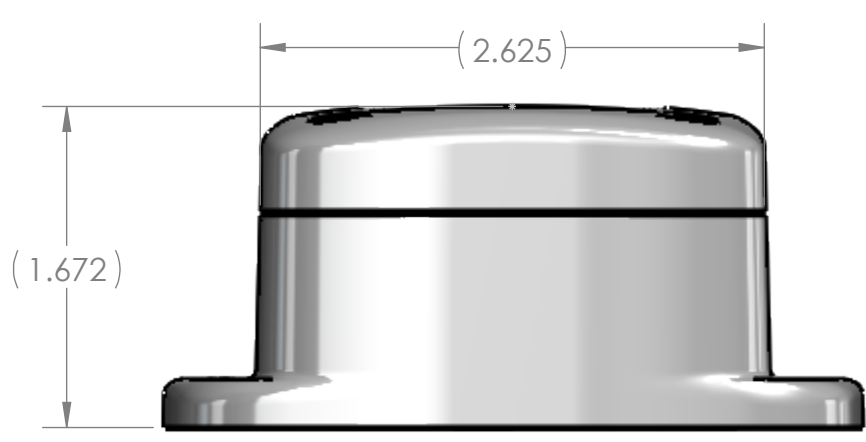


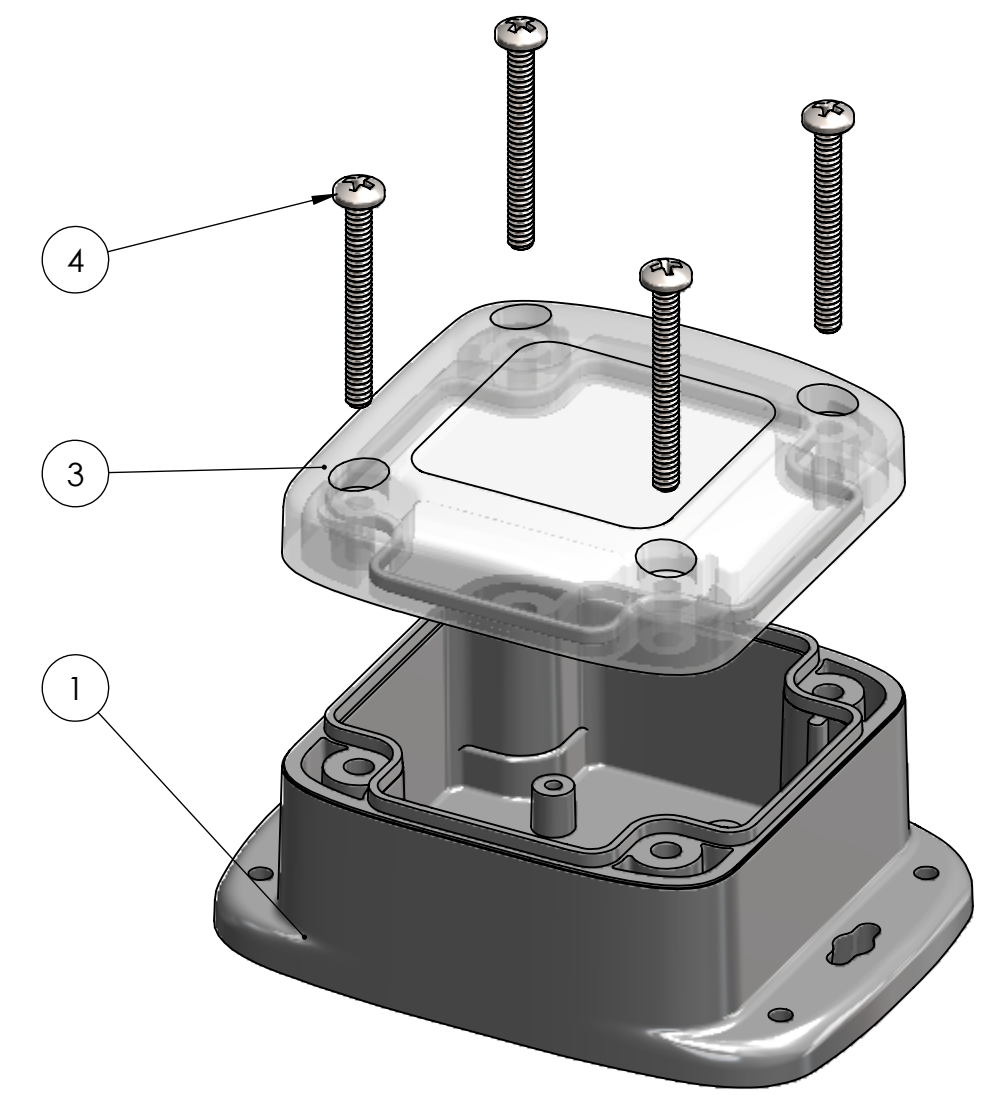
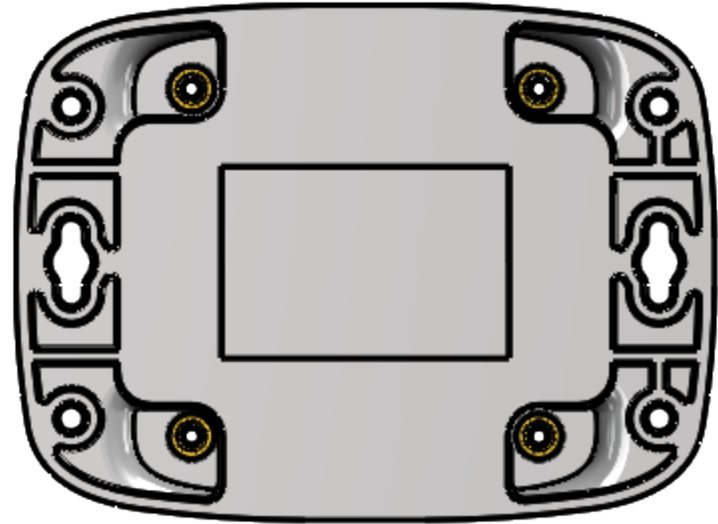
BOM Table							
ITEM NO.	PART NUMBER	Rev.	Description	FlameRating	Color	ML-22F*15/QTY.	ML-22F*1508/QTY.
1	ML-22BF*15	-	BASE W/BRASS INSERTS	UL94V-0	LIGHT GRAY (RAL 7035)	1	1
2	ML-22CG*15	-	COVER WITH GASKET	UL94V-0	LIGHT GRAY (RAL 7035)	1	-
3	ML-22CG*08	-	COVER WITH GASKET	UL94V-0	CLEAR	-	1
4	SCREWS-SS6-4	-	4-PACK: 6-32 X 1.25 PHMS			1	1



PART NUMBER: ML-22F*15



SECTION B-B

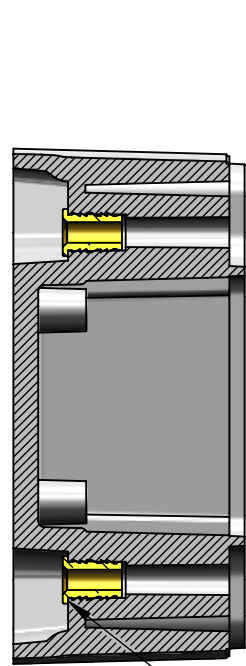


PART NUMBER: ML-22F*1508

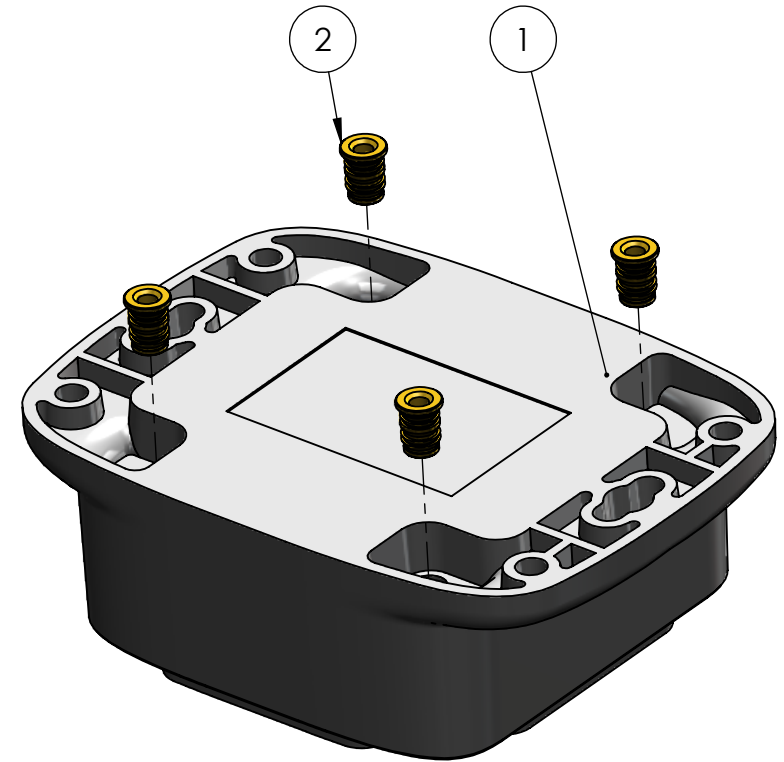
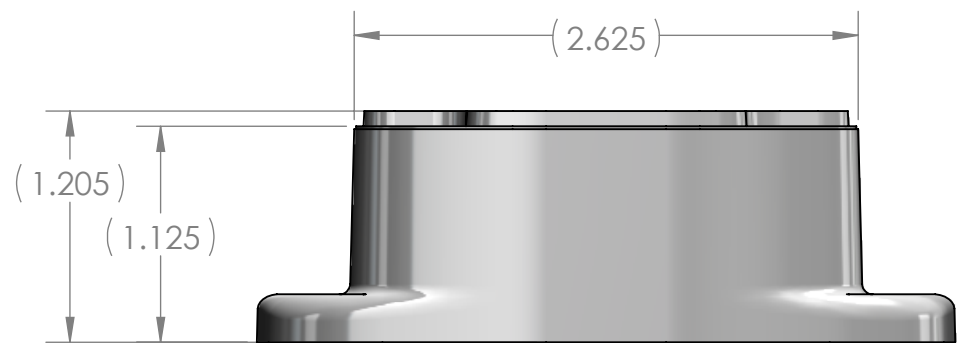
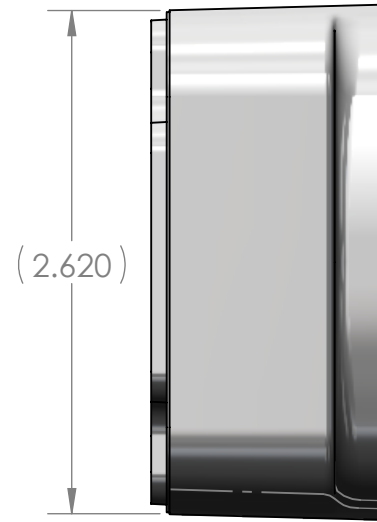
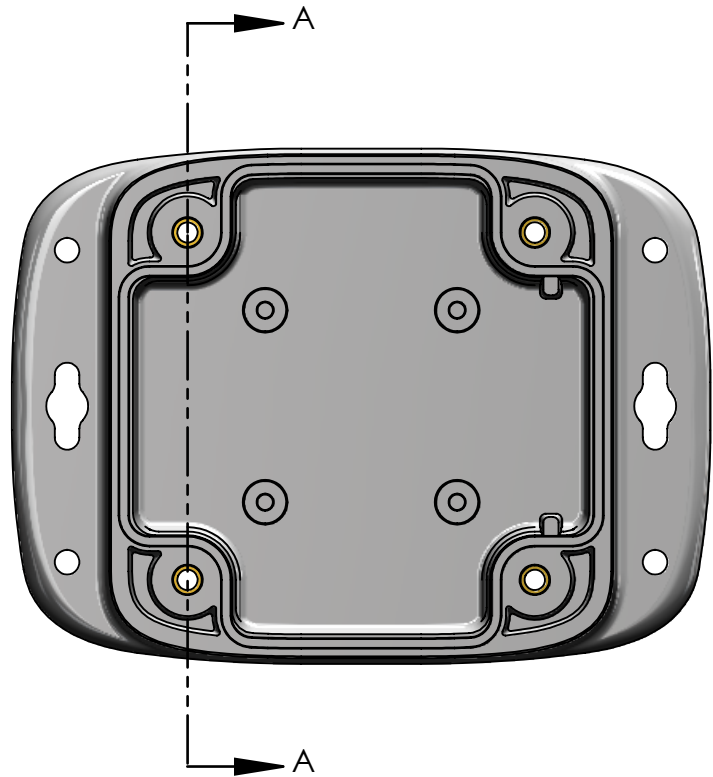
UNLESS OTHERWISE SPECIFIED: DIMENSIONS ARE IN: INCHES[mm] TOLERANCES: ANGULAR: ±2° TWO PLACE DECIMAL: ±.010 THREE PLACE DECIMAL: ±.005 PRINTED GRAPHICS: ±.010		PART NO. SEE BOM		 <small>1305 CHESTER RD. PARKWAY AVON, OHIO 44011-1083 U.S.A. PH: 1-800-548-1233 440-934-0444 FAX: 440-934-0088</small>	
PROPRIETARY AND CONFIDENTIAL THE INFORMATION CONTAINED IN THIS DRAWING IS THE SOLE PROPERTY OF POLYCASE. ANY REPRODUCTION IN PART OR AS A WHOLE WITHOUT THE WRITTEN PERMISSION OF POLYCASE IS PROHIBITED. CAD FILE: ML-22F		MATERIAL SEE BOM			
FLAME RATING SEE BOM		NAME D.M.F.		DATE 10/11/2016	
DRAWN CHECKED		DATE 2/5/2013		SIZE C	
REVISIONS		SCALE: 1:1		ASSEMBLY REV -	


REV.	DESCRIPTION	ZONE	BY	APPR'D	DATE
REVISIONS					

BOM Table								
ITEM NO.	PART NUMBER	Rev.	Description	Material	FlameRating	Color	QTY.	
1	ML-22BFN*15	-	BASE W/FLANGES & PCB BOSSES	PC	UL94V-0	LIGHT GRAY (RAL 7035)	1	
2	INSERT-3	-	THREADED INSERT #6-32	BRASS			4	



SECTION A-A
INSERTS TO BE FULLY PRESSED AS SHOWN



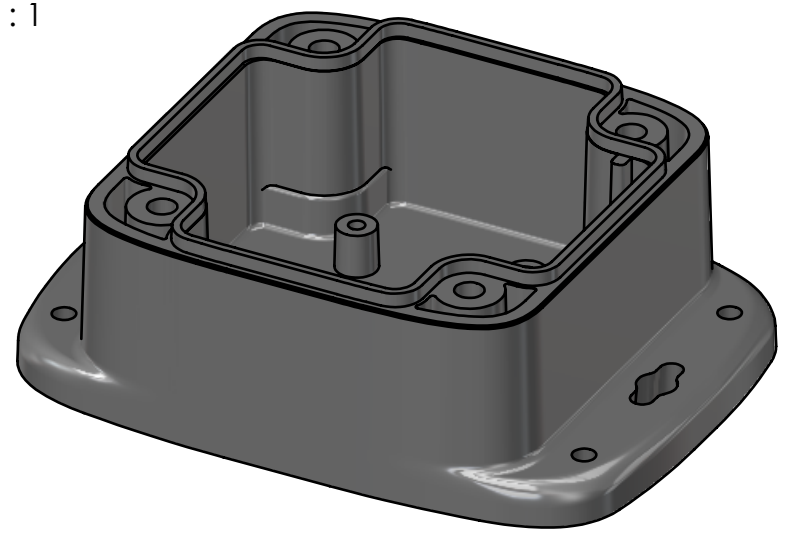
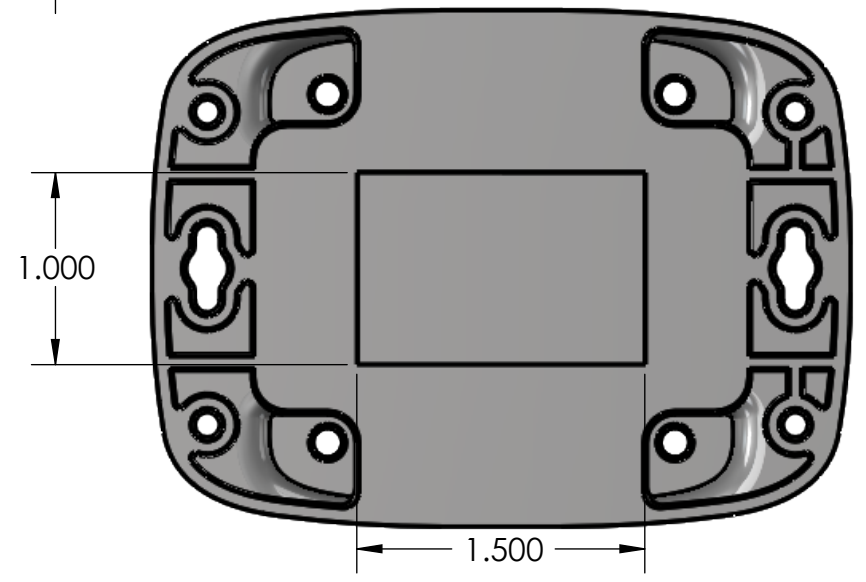
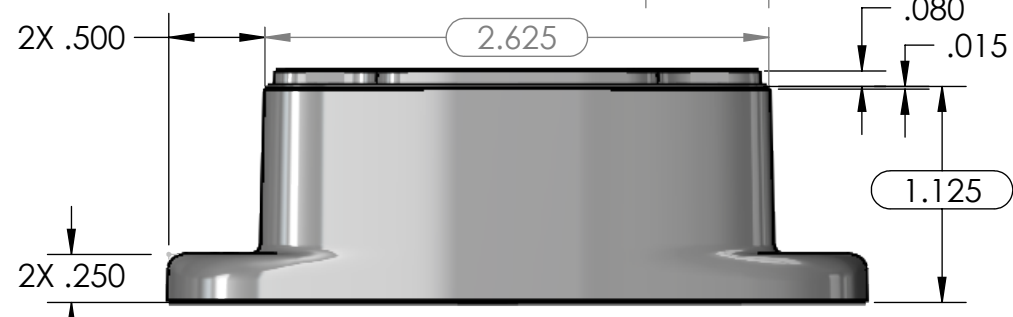
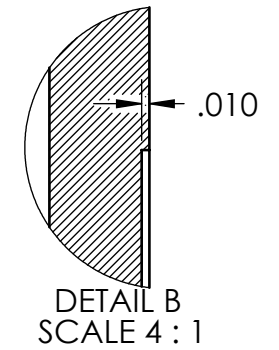
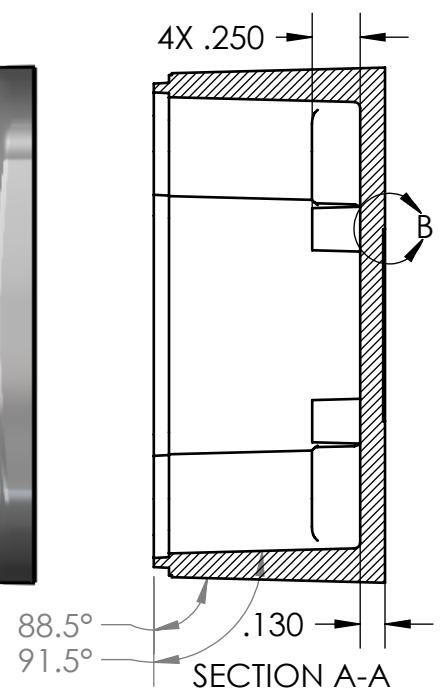
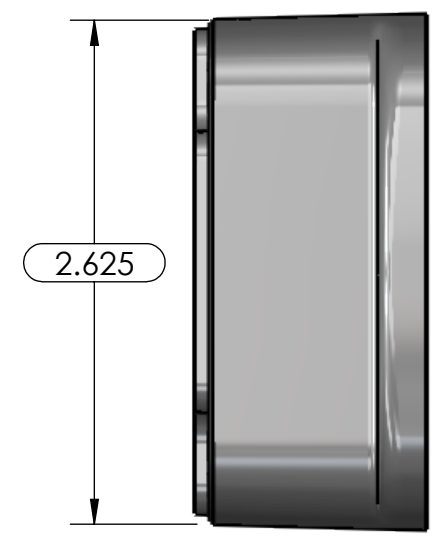
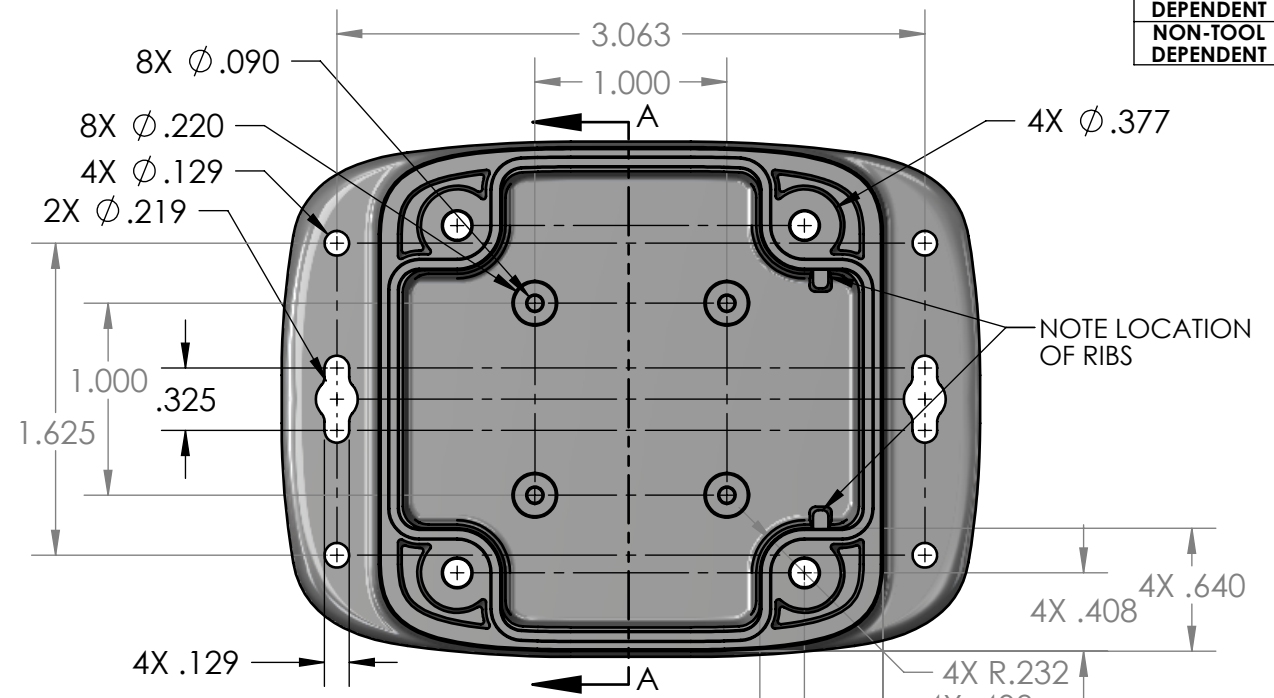
<small>UNLESS OTHERWISE SPECIFIED: DIMENSIONS ARE IN: INCHES[mm] TOLERANCES: ANGULAR: ±2° TWO PLACE DECIMAL: ±.010 THREE PLACE DECIMAL: ±.005 PRINTED GRAPHICS: ±.010</small>	PART NO. ML-22BF*15		 <small>1305 CHESTER IND. PARKWAY AVON, OHIO 44011-1083 U.S.A. PH#: 1-800-248-1233, 440-934-0444 FAX#: 440-934-0088</small>		
	MATERIAL				
	FLAME RATING UL94V-0	SIZE B	BASE W/BRASS INSERTS		REV -
	DRAWN CHECKED	NAME D.M.F.	DATE 10/11/2016 2/5/2013	SCALE: 1:1	SHEET 1 OF 1

REV.	DESCRIPTION	ZONE	BY	APPR'D	DATE
REVISIONS					

8 7 6 5 4 3 2 1

TOLERANCE CHART													
DIMENSION RANGE	0	.039	.118	.236	.394	.591	.866	1.181	1.575	2.087	2.756	3.543	4.724
TOOL DEPENDENT	±.007	±.007	±.008	±.008	±.009	±.010	±.011	±.012	±.013	±.015	±.017	±.020	±.024
NON-TOOL DEPENDENT	±.003	±.004	±.004	±.004	±.005	±.006	±.007	±.008	±.009	±.011	±.013	±.016	±.020

D
C
B
A



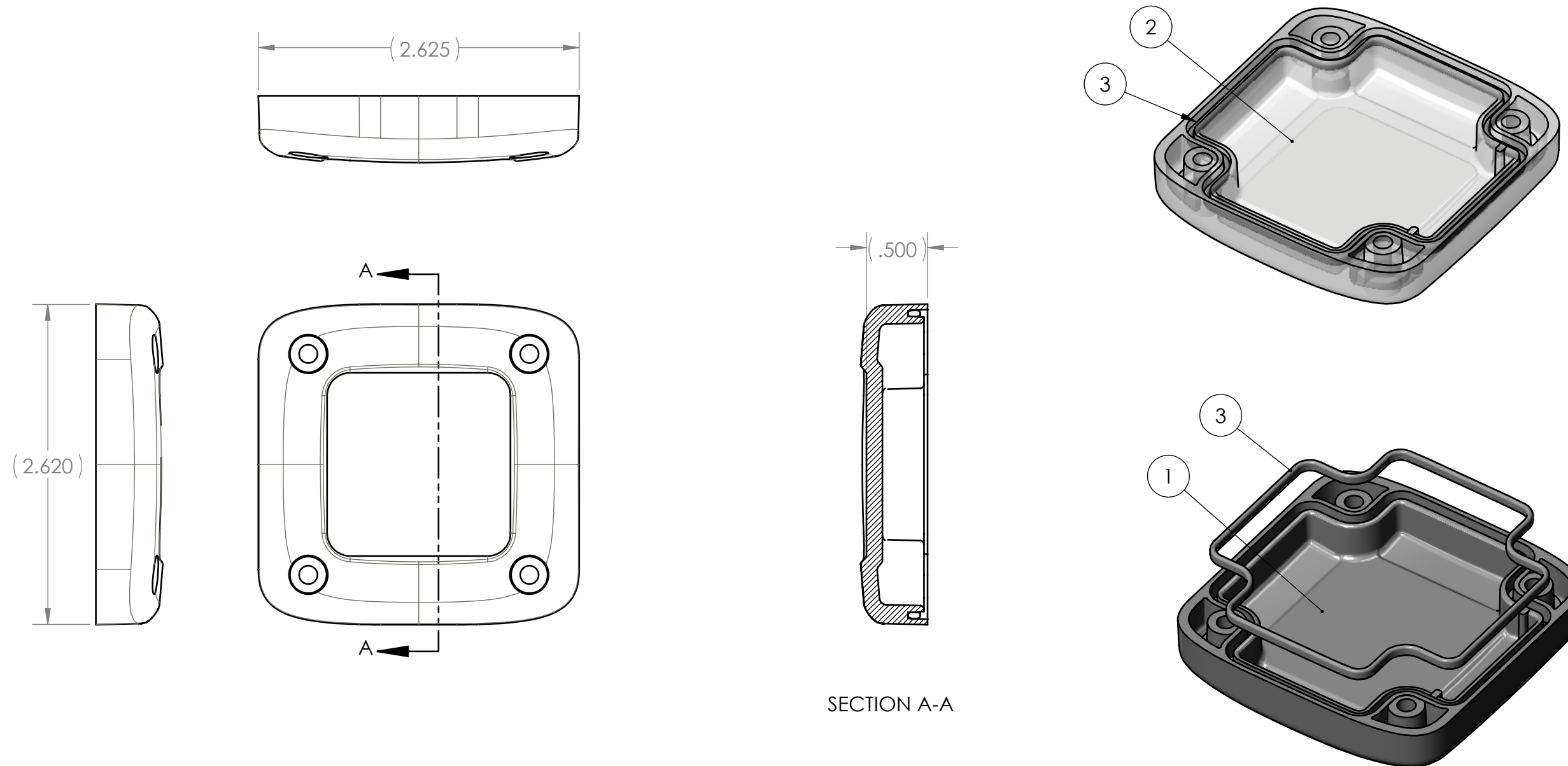
- NOTES:
 1. COLOR: LIGHT GRAY (RAL 7035)
 2. MATERIAL SPEC: /PC/XXX/GY
 3. REFER TO SOLID MODEL FOR COMPLETE PART DEFINITION.
 4. (INSPECTION DIMENSION)
 5. EJECTOR PINS TO BE FLUSH \pm .015
 6. FLASH .005 MAX
 7. MAX REGRIND: 20%
 8. GATE MUST BE FLUSH $\begin{matrix} +.000 \\ -.015 \end{matrix}$

REV.	DESCRIPTION	ZONE	BY	APPR'D	DATE
REVISIONS					

UNLESS OTHERWISE SPECIFIED: DIMENSIONS ARE IN: INCHES [mm] TOLERANCES: ANGULAR: \pm 2° TWO PLACE DECIMAL: \pm - THREE PLACE DECIMAL: \pm - PRINTED GRAPHICS: \pm -		PART NO. ML-22BFN*15		 <small>1305 CHESTER IND. PARKWAY AVON, OHIO 44011-1083 U.S.A. PH#: 1-800-248-1233, 440-934-0444 FAX#: 440-934-0088</small>	
PROPRIETARY AND CONFIDENTIAL THE INFORMATION CONTAINED IN THIS DRAWING IS THE SOLE PROPERTY OF POLYCASE. ANY REPRODUCTION IN PART OR AS A WHOLE WITHOUT THE WRITTEN PERMISSION OF POLYCASE IS PROHIBITED. CAD FILE: ML-22BFN		MATERIAL PC			
FLAME RATING UL94V-0		SIZE B	REV -	SCALE: 1:1	
DRAWN	NAME	DATE	SHEET 1 OF 1		
CHECKED	D.M.F.	7/20/2015			
	-	2/4/2013			

8 7 6 5 4 3 2 1

BOM Table								
ITEM NO.	PART NUMBER	Rev.	Description	Material	FlameRating	Color	ML-22CG*15/QTY.	ML-22CG*08/QTY.
1	ML-22C*15	-	COVER	PC	UL94V-0	LIGHT GRAY (RAL 7035)	1	-
2	ML-22C*08	-	COVER	PC	UL94V-0	CLEAR	-	1
3	GASKET-11	-	GASKET	SILICONE		CLEAR	1	1



SECTION A-A

UNLESS OTHERWISE SPECIFIED:
 DIMENSIONS ARE IN: INCHES [mm]
 TOLERANCES: ANGULAR: ±2°
 TWO PLACE DECIMAL: ±.010
 THREE PLACE DECIMAL: ±.005
 PRINTED GRAPHICS: ±.010

PROPRIETARY AND CONFIDENTIAL
 THE INFORMATION CONTAINED IN THIS
 DRAWING IS THE SOLE PROPERTY OF
 POLYCASE. ANY REPRODUCTION IN PART
 OR AS A WHOLE WITHOUT THE WRITTEN
 PERMISSION OF POLYCASE IS PROHIBITED.
 CAD FILE: ML-22CG

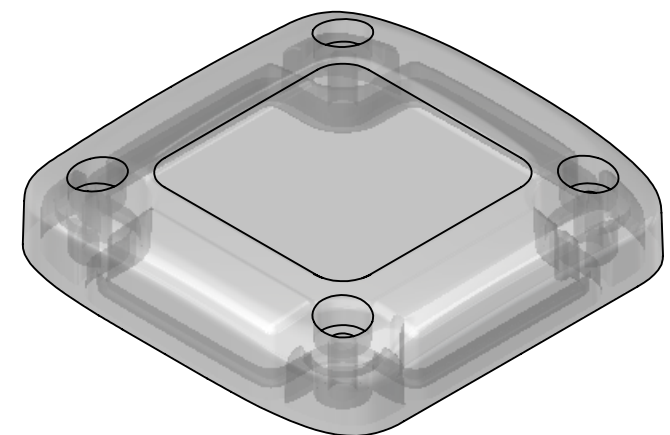
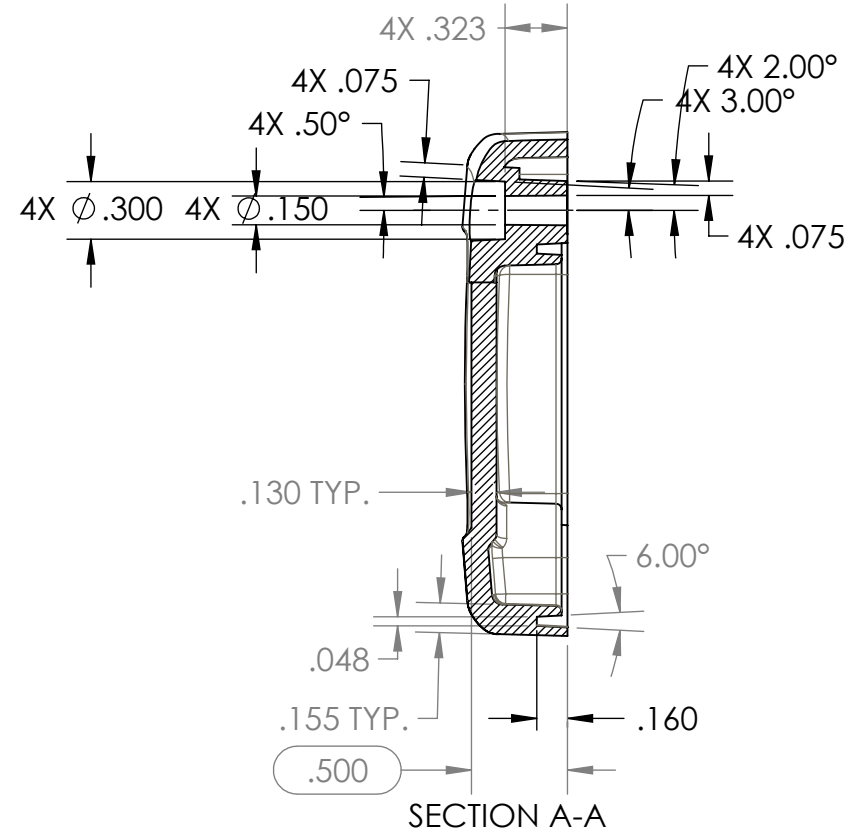
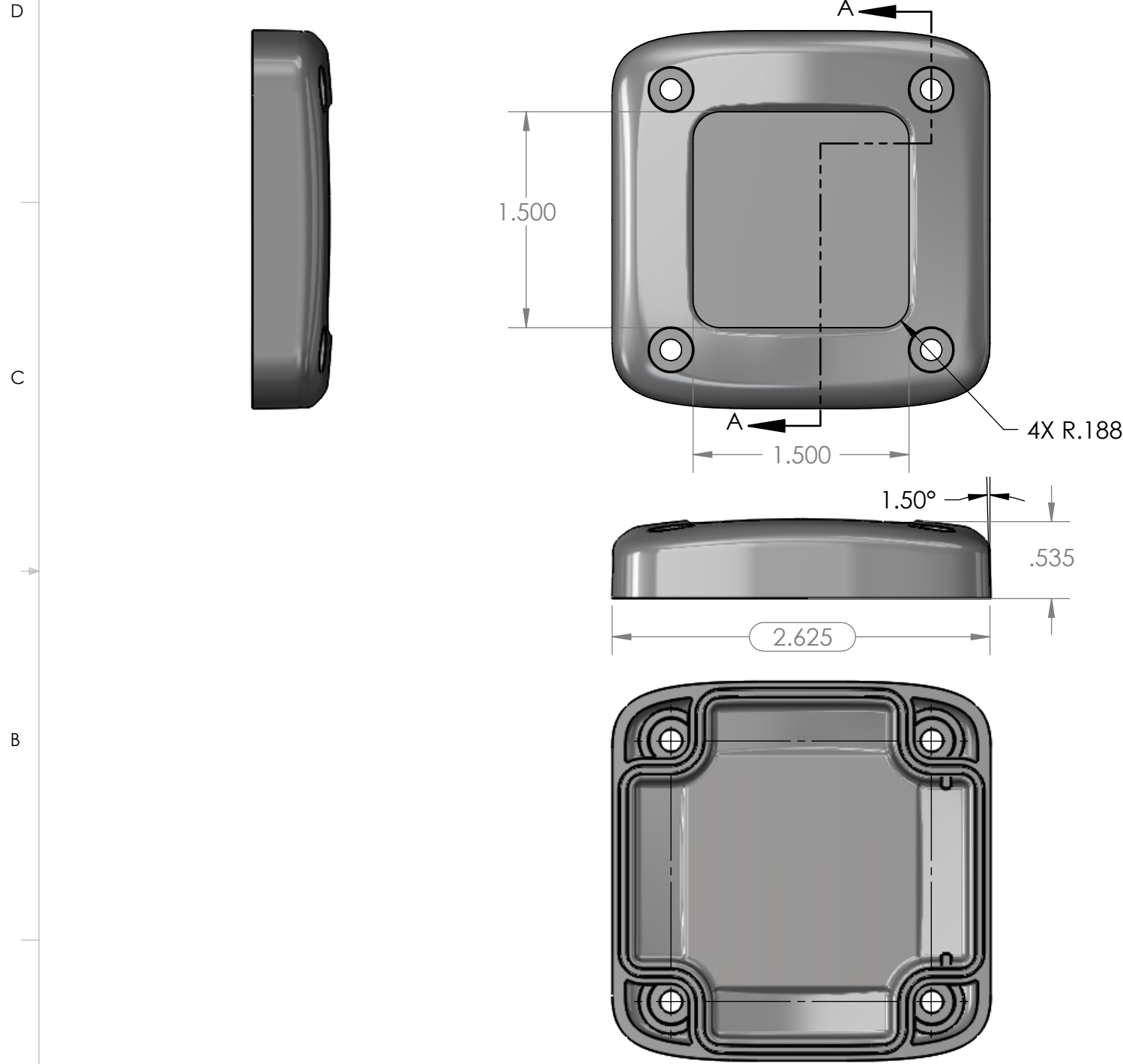
PART NO. SEE BOM		
MATERIAL SEE BOM		
FLAME RATING SEE BOM		
DRAWN	NAME	DATE
CHECKED	D.M.F.	10/11/2016
		2/5/2013

polycase
 1305 CHESTER IND. PARKWAY AVON, OHIO 44011-1083 U.S.A.
 PH#: 1-800-248-1233, 440-934-0444 FAX#: 440-934-0088

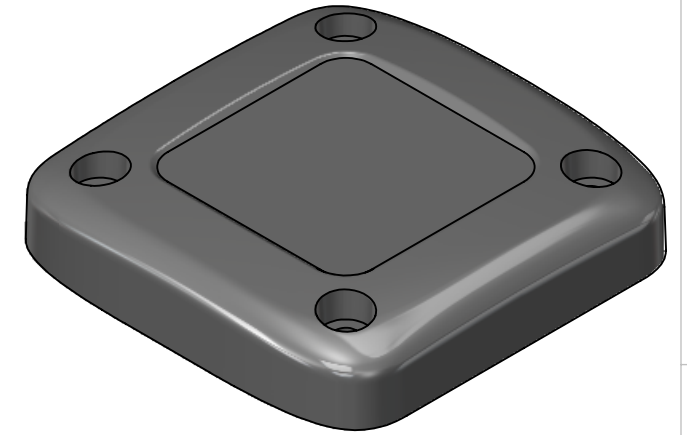
SIZE B	COVER WITH GASKET	REV -
SCALE: 1:1	SHEET 1 OF 1	

REV.	DESCRIPTION	ZONE	BY	APPR'D	DATE
REVISIONS					

TOLERANCE CHART																
DIMENSION RANGE	0	.039	.118	.236	.394	.591	.866	1.181	1.575	2.087	2.756	3.543	4.724	6.299	7.874	9.843
	.039	.118	.236	.394	.591	.866	1.181	1.575	2.087	2.756	3.543	4.724	6.299	7.874	9.843	12.402
TOOL DEPENDENT	±.007	±.007	±.008	±.008	±.009	±.010	±.011	±.012	±.013	±.015	±.017	±.020	±.024	±.028	±.035	.043
NON-TOOL DEPENDENT	±.003	±.004	±.004	±.004	±.005	±.006	±.007	±.008	±.009	±.011	±.013	±.016	±.020	±.024	±.031	.039




PART NUMBER: ML-22C*08
 MATERIAL: PC
 MATERIAL SPEC: /PC/XXX/CL
 COLOR: CLEAR
 FLAME RATING: UL94V-0



PART NUMBER: ML-22C*15
 MATERIAL: PC
 MATERIAL SPEC: /PC/XXX/GY
 COLOR: LIGHT GRAY (RAL 7035)
 FLAME RATING: UL94V-0

- NOTES:
 1. REFER TO SOLID MODEL FOR COMPLETE PART DEFINITION.
 2. FINISH: DIAMOND POLISH
 3. (INSPECTION DIMENSION)
 4. FLASH CANNOT EXCEED .005
 5. MAX REGRIND: 20%
 6. GATE MUST BE FLUSH $\begin{matrix} +.000 \\ -.015 \end{matrix}$

REV.	DESCRIPTION	ZONE	BY	APPR'D	DATE
REVISIONS					

UNLESS OTHERWISE SPECIFIED: DIMENSIONS ARE IN: INCHES [mm] TOLERANCES: ANGULAR: ±.5° TWO PLACE DECIMAL: ± THREE PLACE DECIMAL: ± PRINTED GRAPHICS: ±.010		PART NO. AS NOTED		 <small>1305 CHESTER IND. PARKWAY AVON, OHIO 44011-1083 U.S.A. PH#: 1-800-248-1233, 440-934-0444 FAX#: 440-934-0088</small>	
PROPRIETARY AND CONFIDENTIAL THE INFORMATION CONTAINED IN THIS DRAWING IS THE SOLE PROPERTY OF POLYCASE. ANY REPRODUCTION IN PART OR AS A WHOLE WITHOUT THE WRITTEN PERMISSION OF POLYCASE IS PROHIBITED. CAD FILE: ML-22C		MATERIAL AS NOTED			
FLAME RATING AS NOTED		SIZE B		REV -	
DRAWN CHECKED		NAME DATE		SCALE: 1:1	
		D.M.F. 7/20/2015		SHEET 1 OF 1	