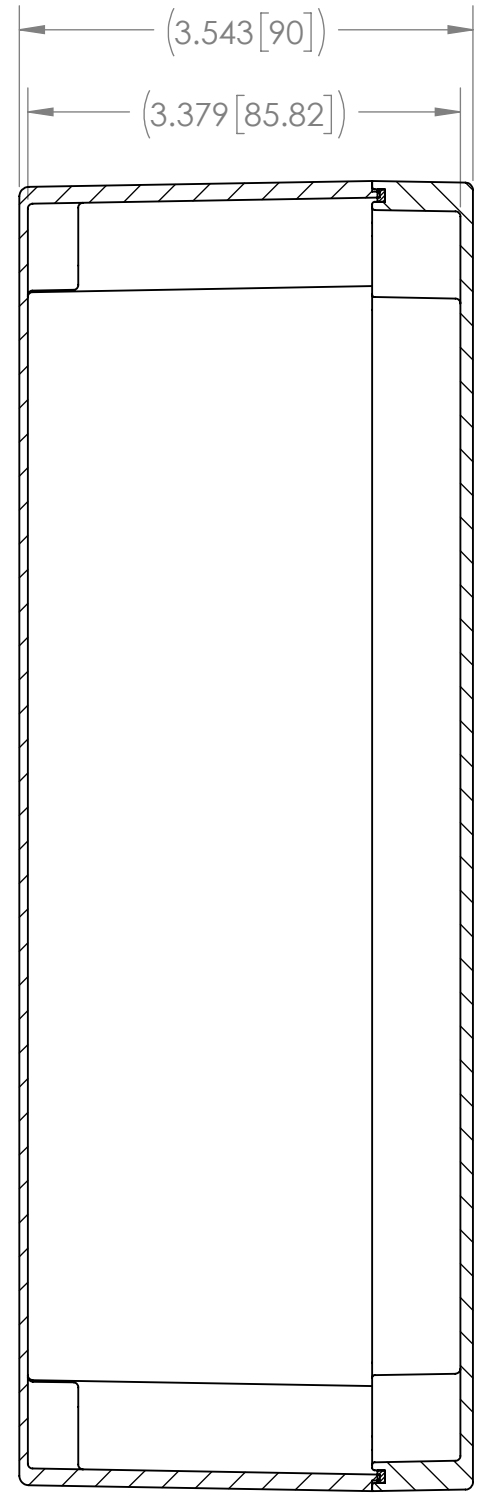
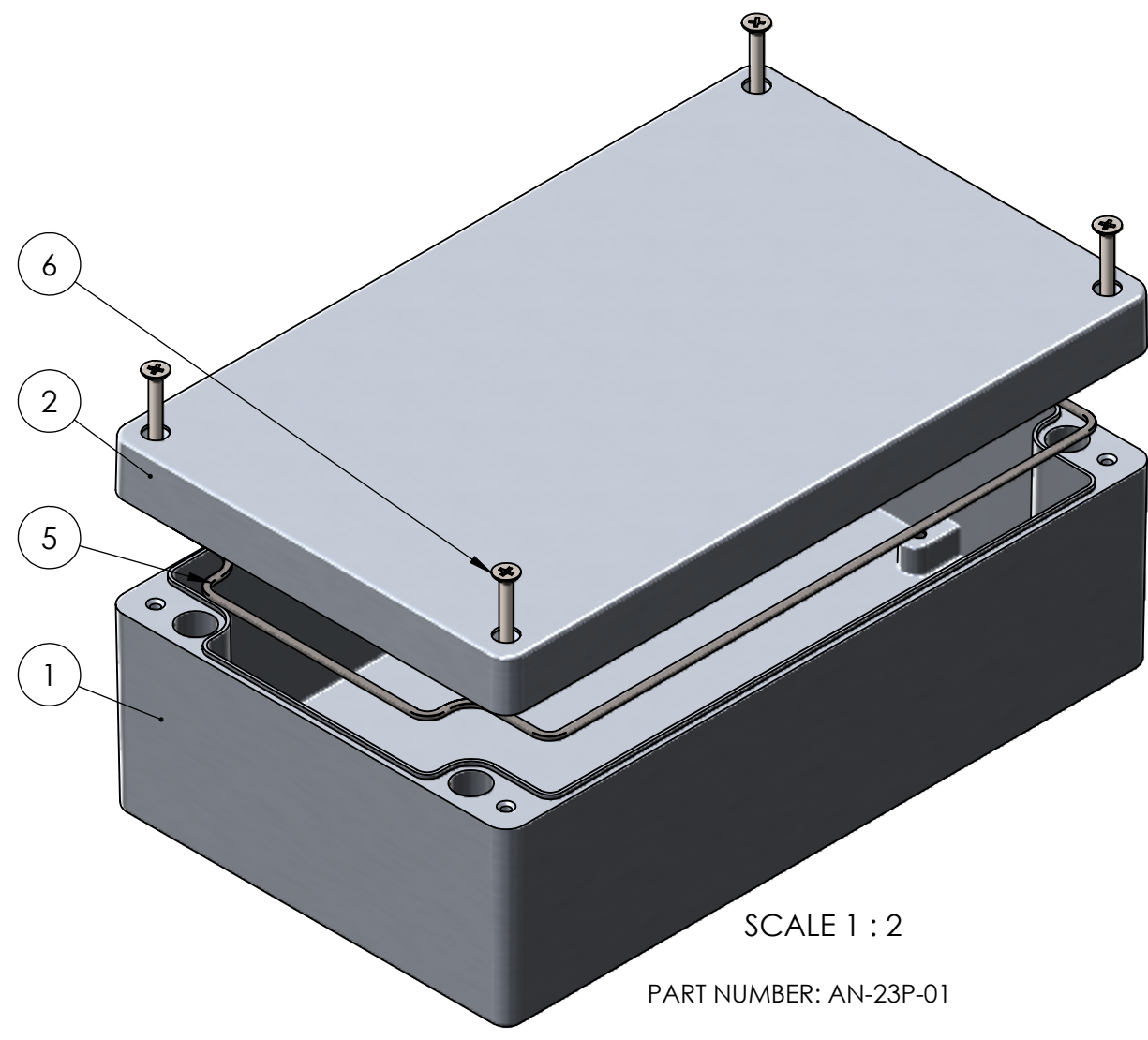
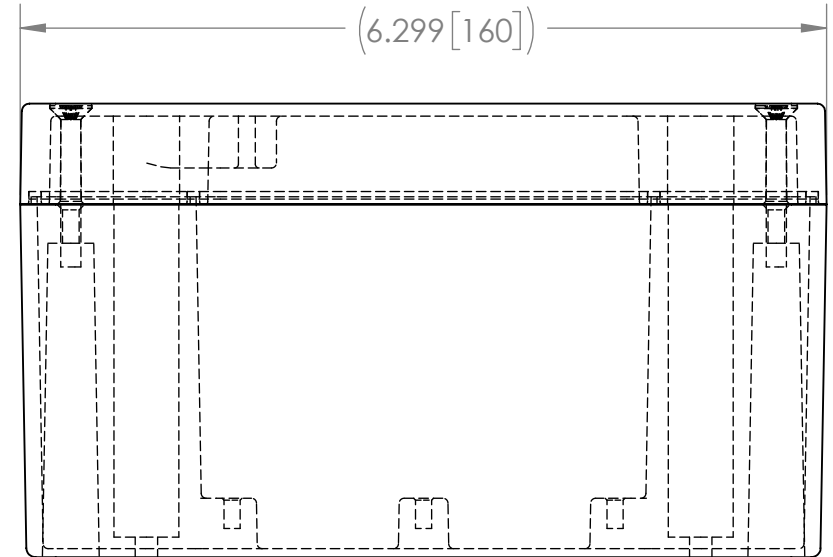
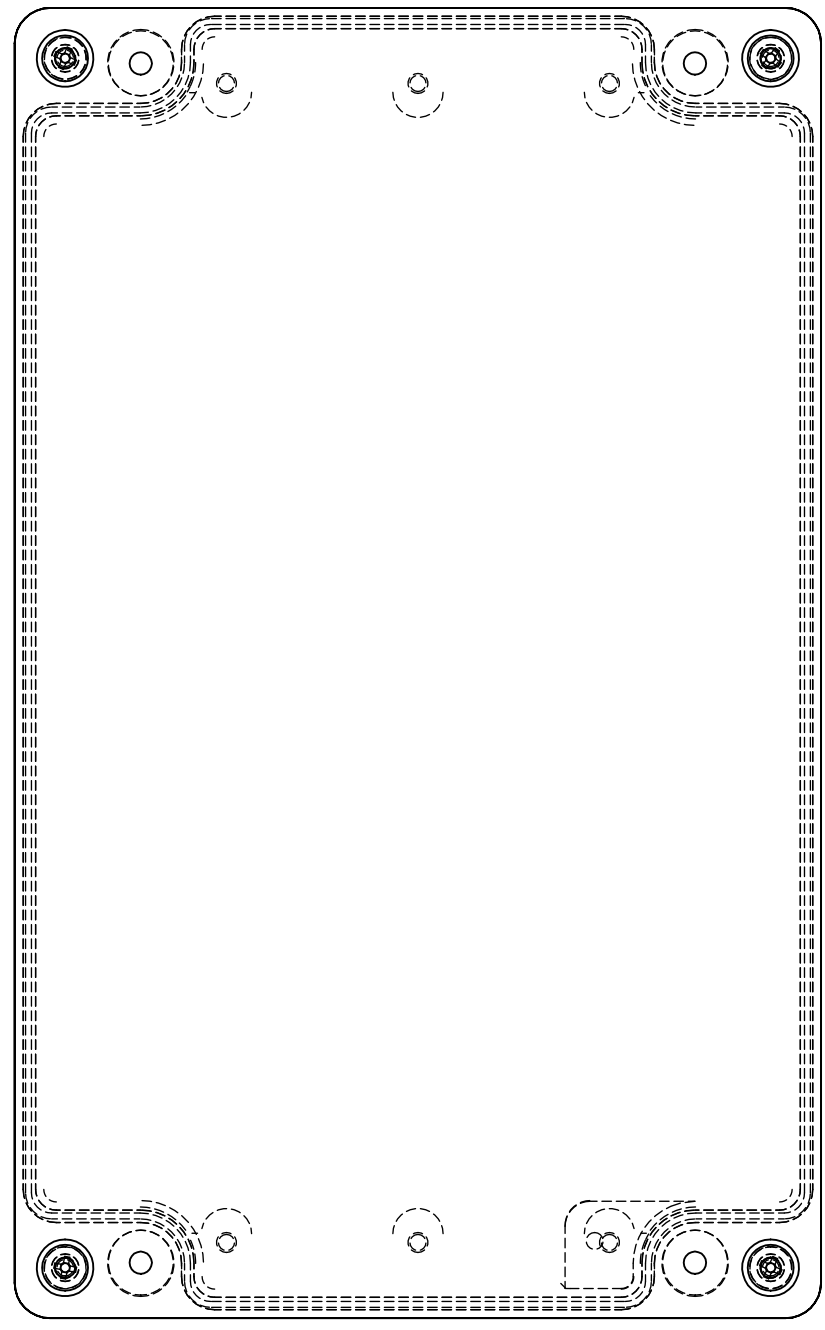
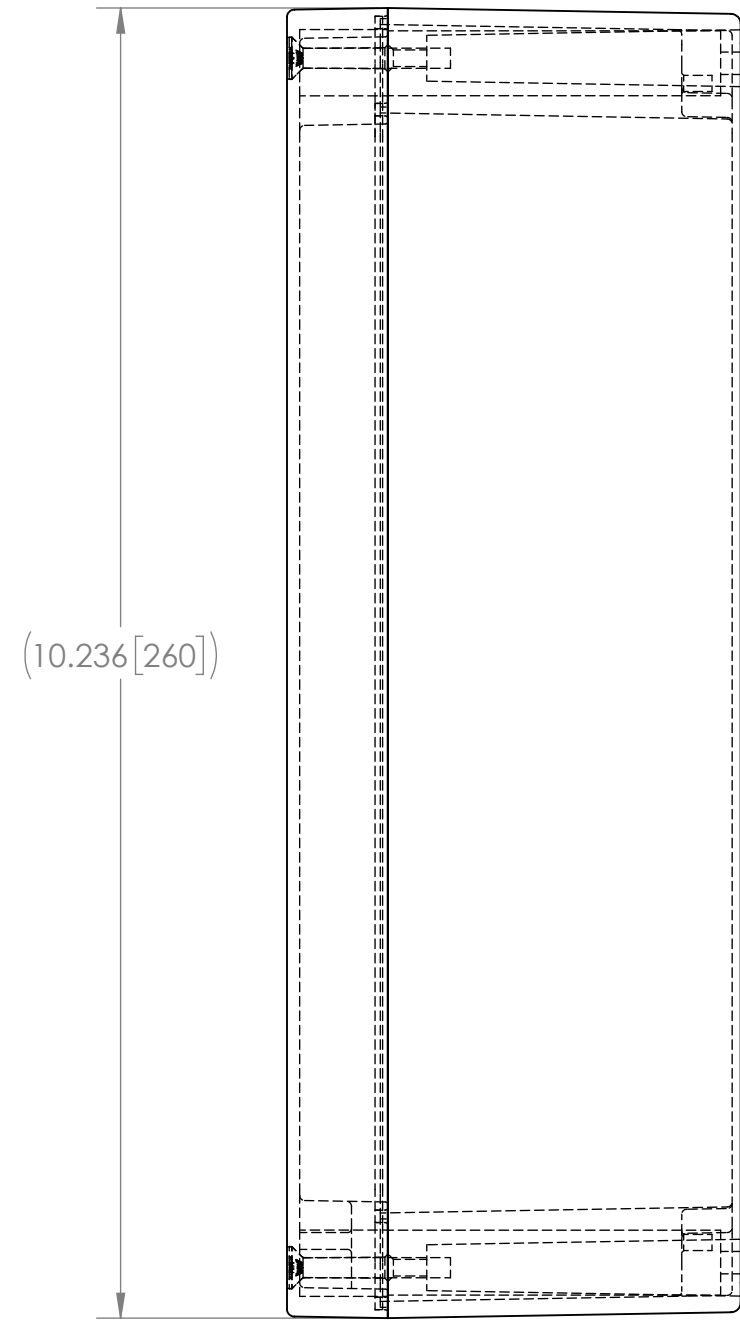
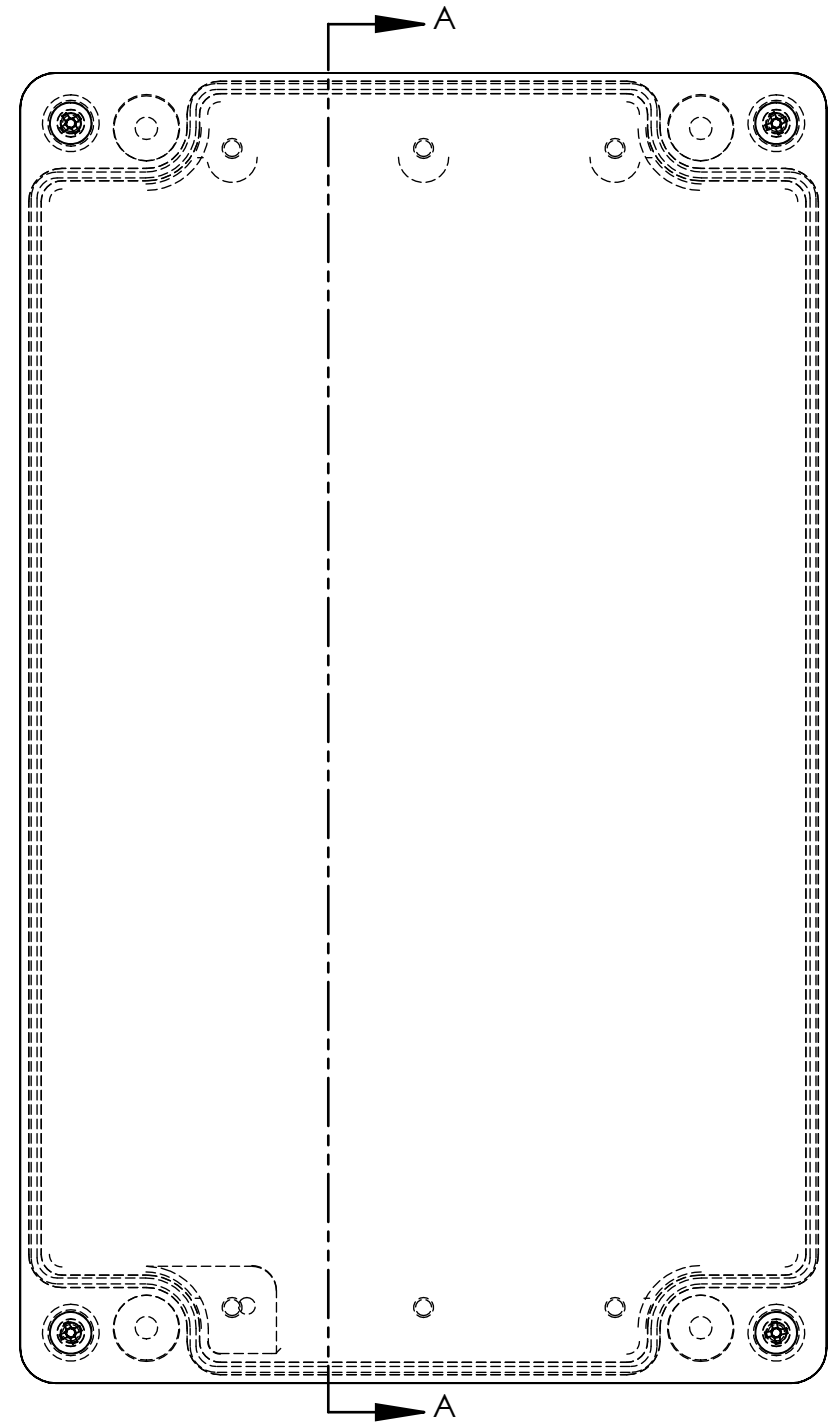


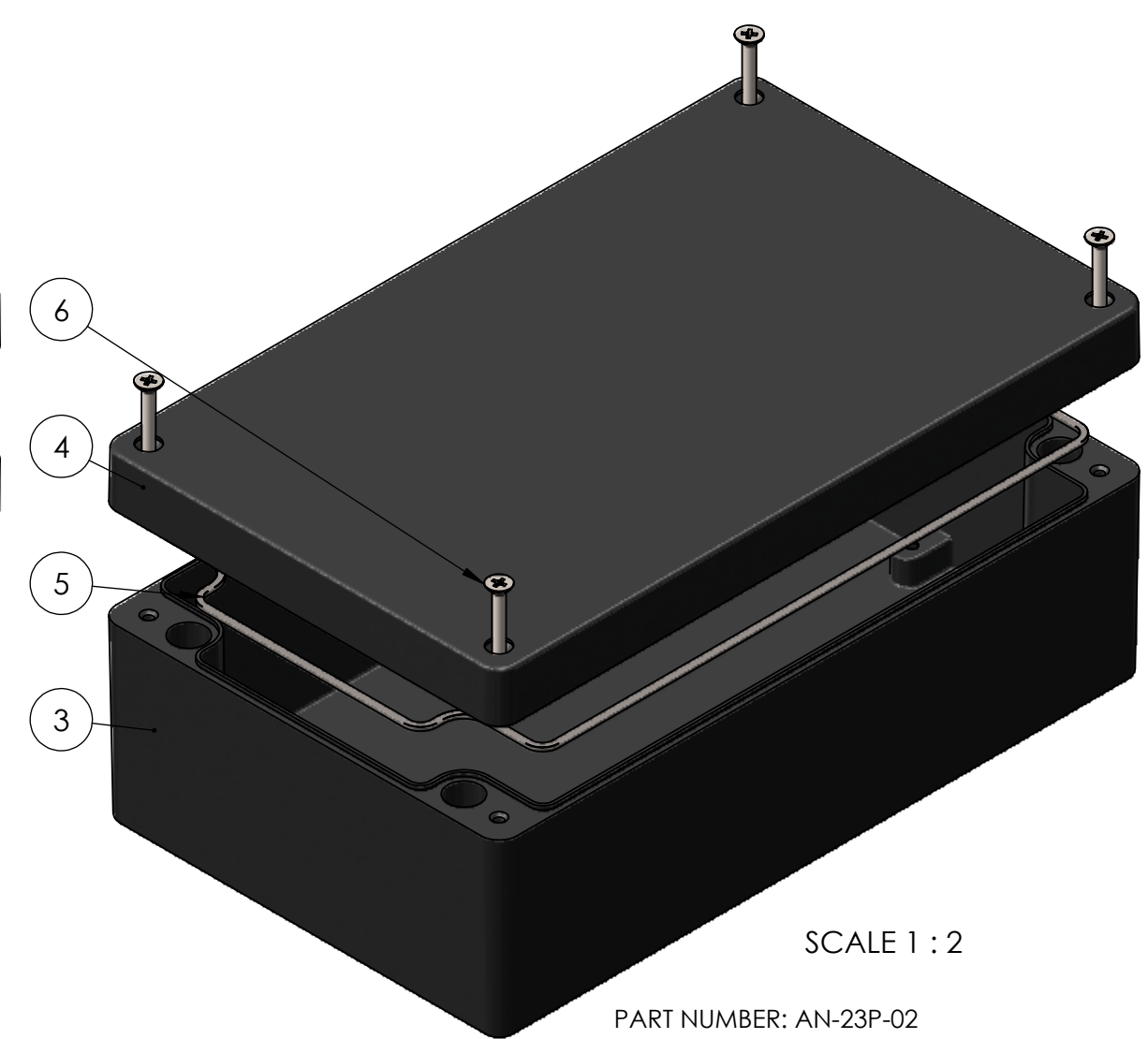
BOM Table								
ITEM NO.	PART NUMBER	Rev.	Description	Material	Color	AN-23P-01/QTY.	AN-23P-02/QTY.	
1	AN-23BP-01	-	NEMA BASE	ALUMINUM ADC12	NATURAL	1	-	
2	AN-23C-01	-	NEMA COVER	ALUMINUM ADC12	NATURAL	1	-	
3	AN-23BP-02	-	NEMA BASE	ALUMINUM ADC12	BLACK	-	1	
4	AN-23C-02	-	WP COVER ONLY, W/GASKET	ALUMINUM ADC12	BLACK	-	1	
5	GASKET-123-01	-	GASKET	SILICONE	GRAY	1	1	
6	SCREWS-036-4	-	M4X0.7 X 32mm FHMS 4-PACK			1	1	



SECTION A-A



SCALE 1 : 2
PART NUMBER: AN-23P-01



SCALE 1 : 2
PART NUMBER: AN-23P-02

UNLESS OTHERWISE SPECIFIED:
 DIMENSIONS ARE IN: INCHES[mm]
 TOLERANCES: ANGULAR: ±2°
 TWO PLACE DECIMAL: ±.010
 THREE PLACE DECIMAL: ±.005
 PRINTED GRAPHICS: ±.010

PROPRIETARY AND CONFIDENTIAL
 THE INFORMATION CONTAINED IN THIS
 DRAWING IS THE SOLE PROPERTY OF
 POLYCASE. ANY REPRODUCTION IN PART
 OR AS A WHOLE WITHOUT THE WRITTEN
 PERMISSION OF POLYCASE IS PROHIBITED.
 CAD FILE: AN-23P

REV.	DESCRIPTION	ZONE	BY	APPR'D	DATE
REVISIONS					

PART NO.
AS NOTED

MATERIAL
AS NOTED

FLAME RATING
-

SIZE
C

SCALE: 1:1.5

1305 CHESTER RD. PARKWAY AVON, OHIO 44011-1083 U.S.A.
 PH: 1-800-248-1233 440-934-0444 FAX: 440-934-0088

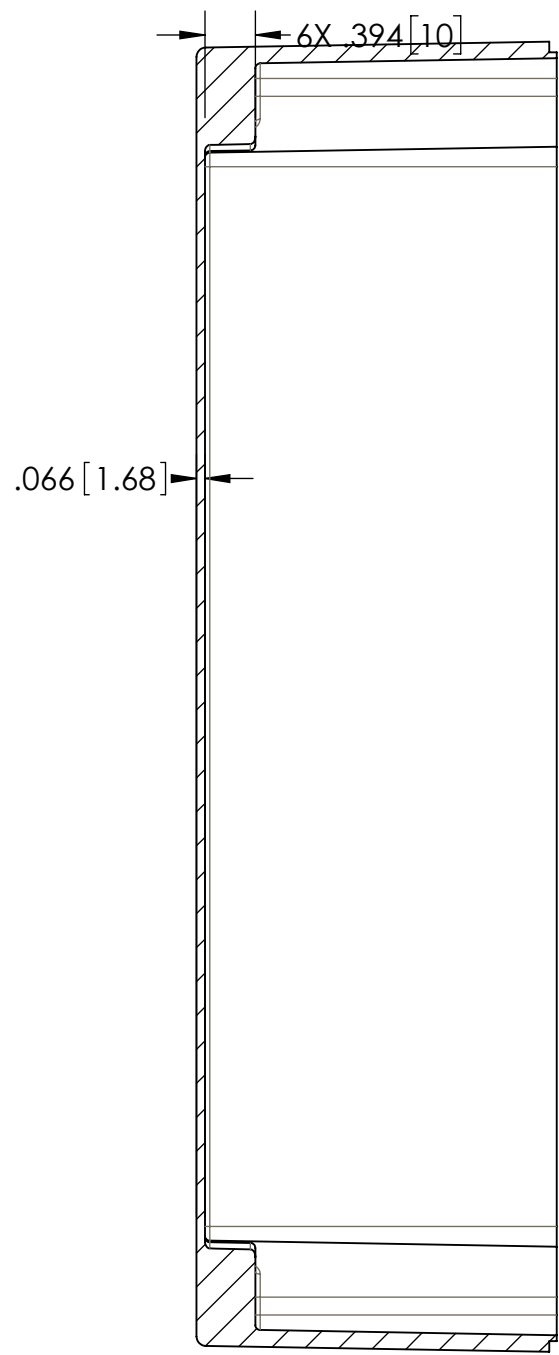
NAME: D.M.F. DATE: 11/14/2016
 CHECKED: C.C.B. DATE: 12/27/2016

REV -

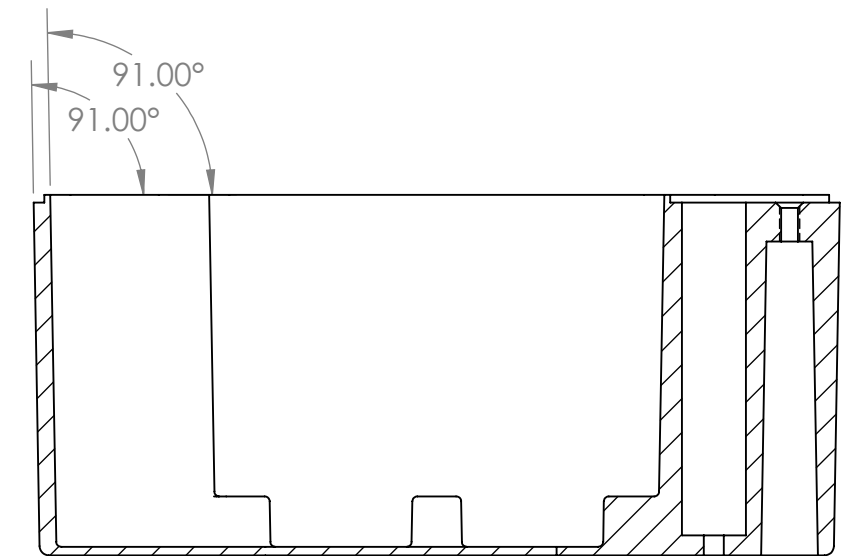
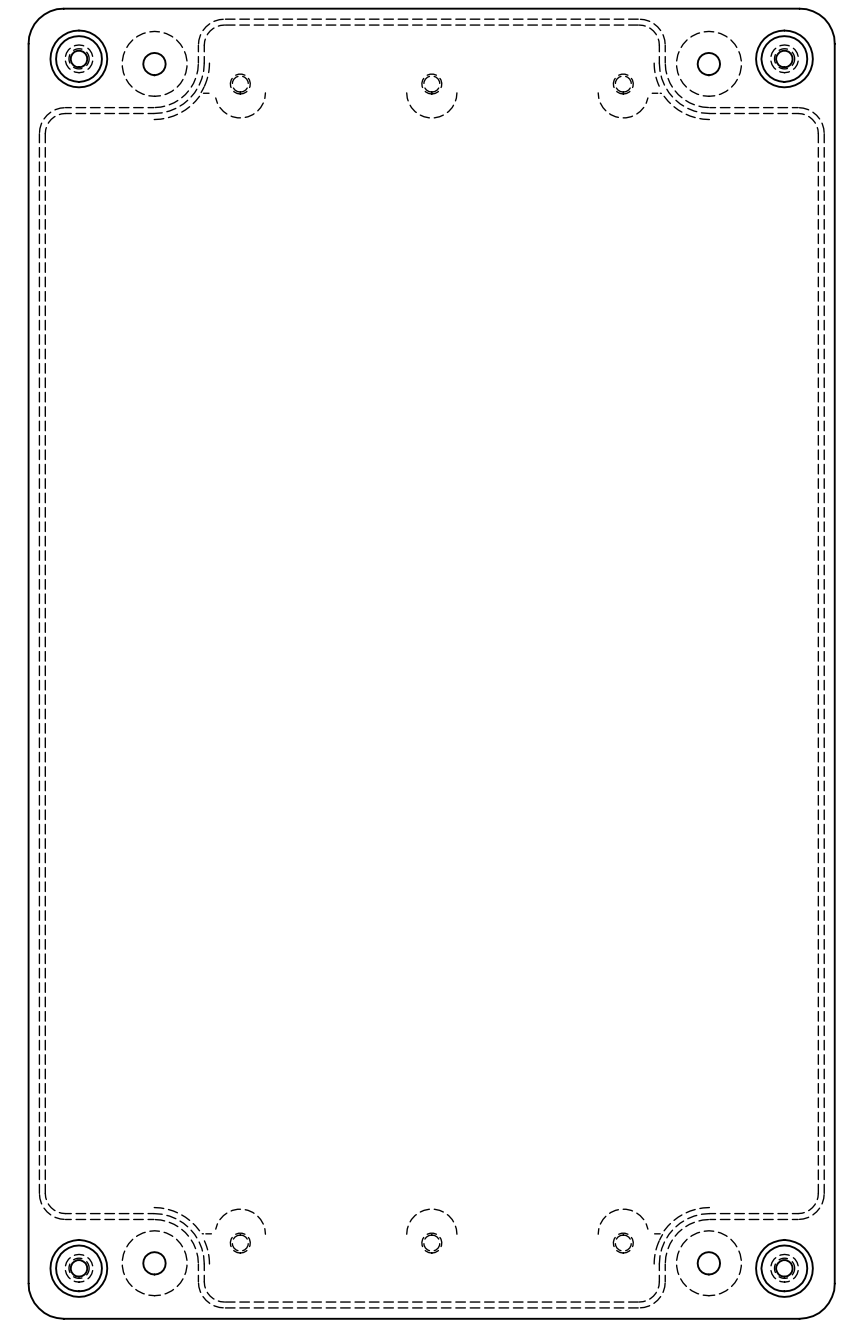
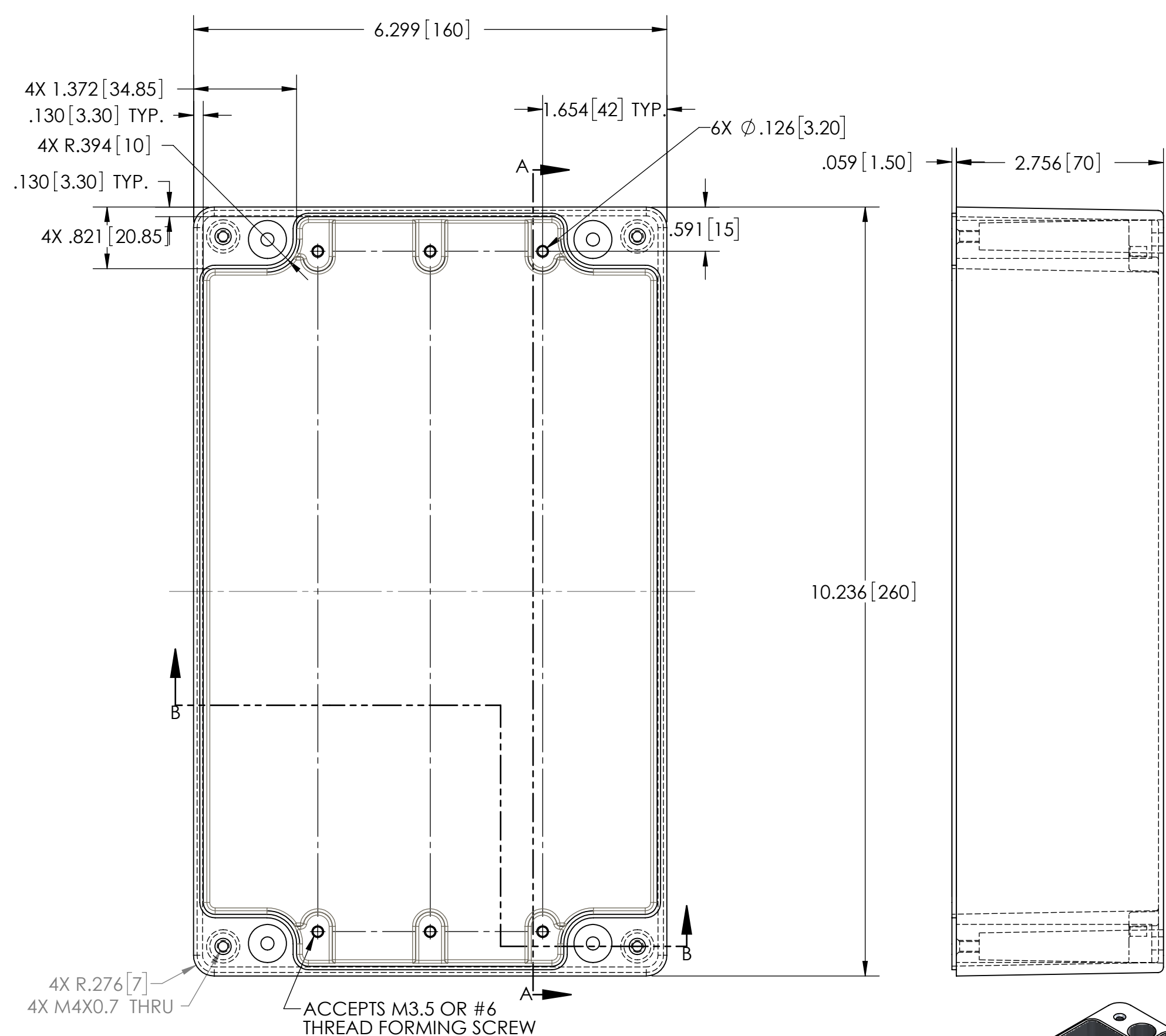
SHEET 1 OF 1

REV.	DESCRIPTION	ZONE	BY	APPR'D	DATE
REVISIONS					

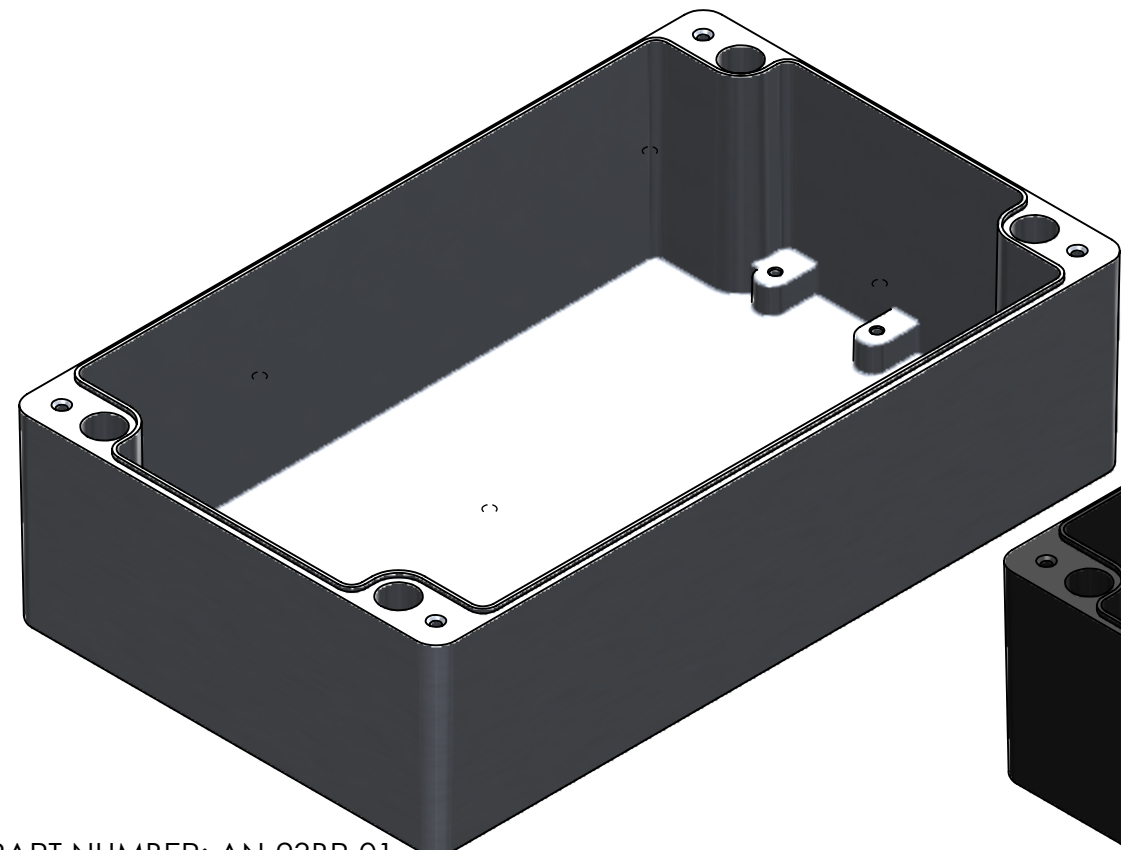
		TOLERANCE CHART													
DIMENSION RANGE	0	.039	.118	.236	.394	.591	.866	1.181	1.575	2.087	2.756	3.543	4.724	6.299	7.874
	TOOL DEPENDENT	±.007	±.007	±.008	±.008	±.009	±.010	±.011	±.012	±.013	±.015	±.017	±.020	±.024	±.028
NON-TOOL DEPENDENT	±.003	±.004	±.004	±.004	±.005	±.006	±.007	±.008	±.009	±.011	±.013	±.016	±.020	±.024	±.031



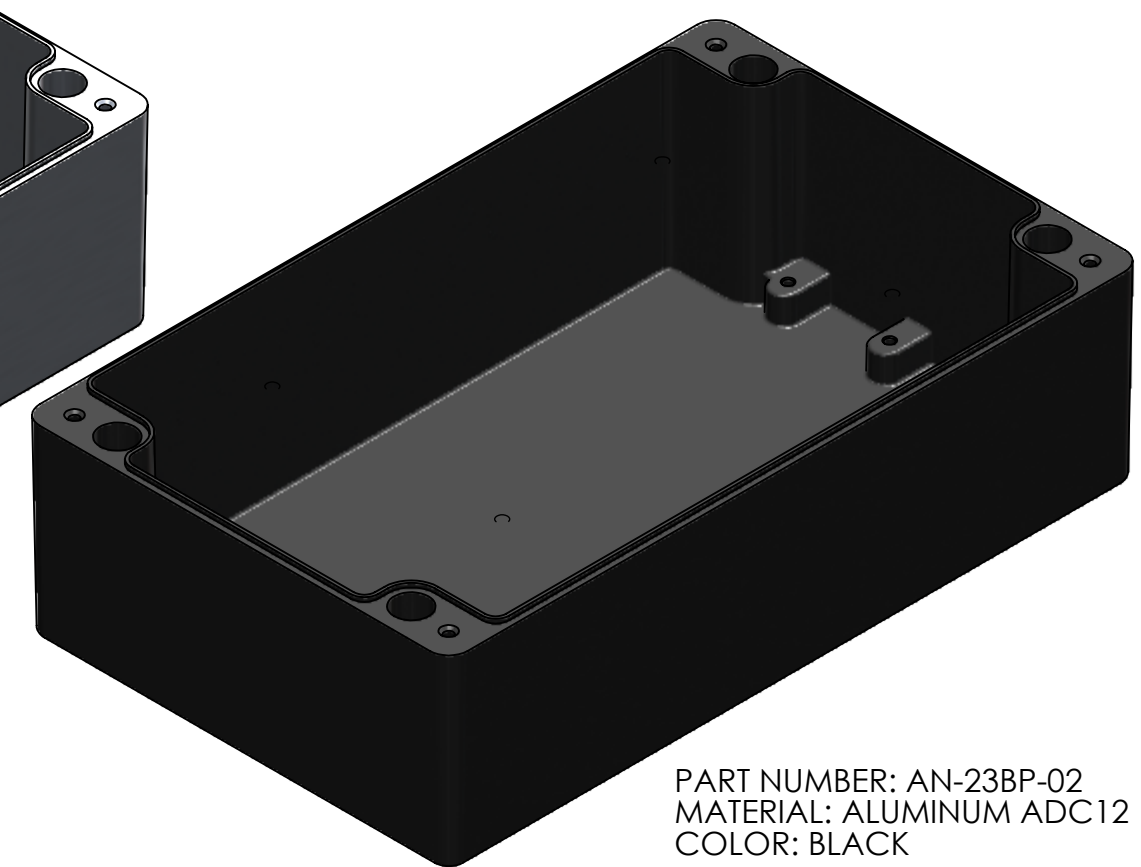
SECTION A-A



SECTION B-B



PART NUMBER: AN-23BP-01
 MATERIAL: ALUMINUM ADC12
 COLOR: NATURAL

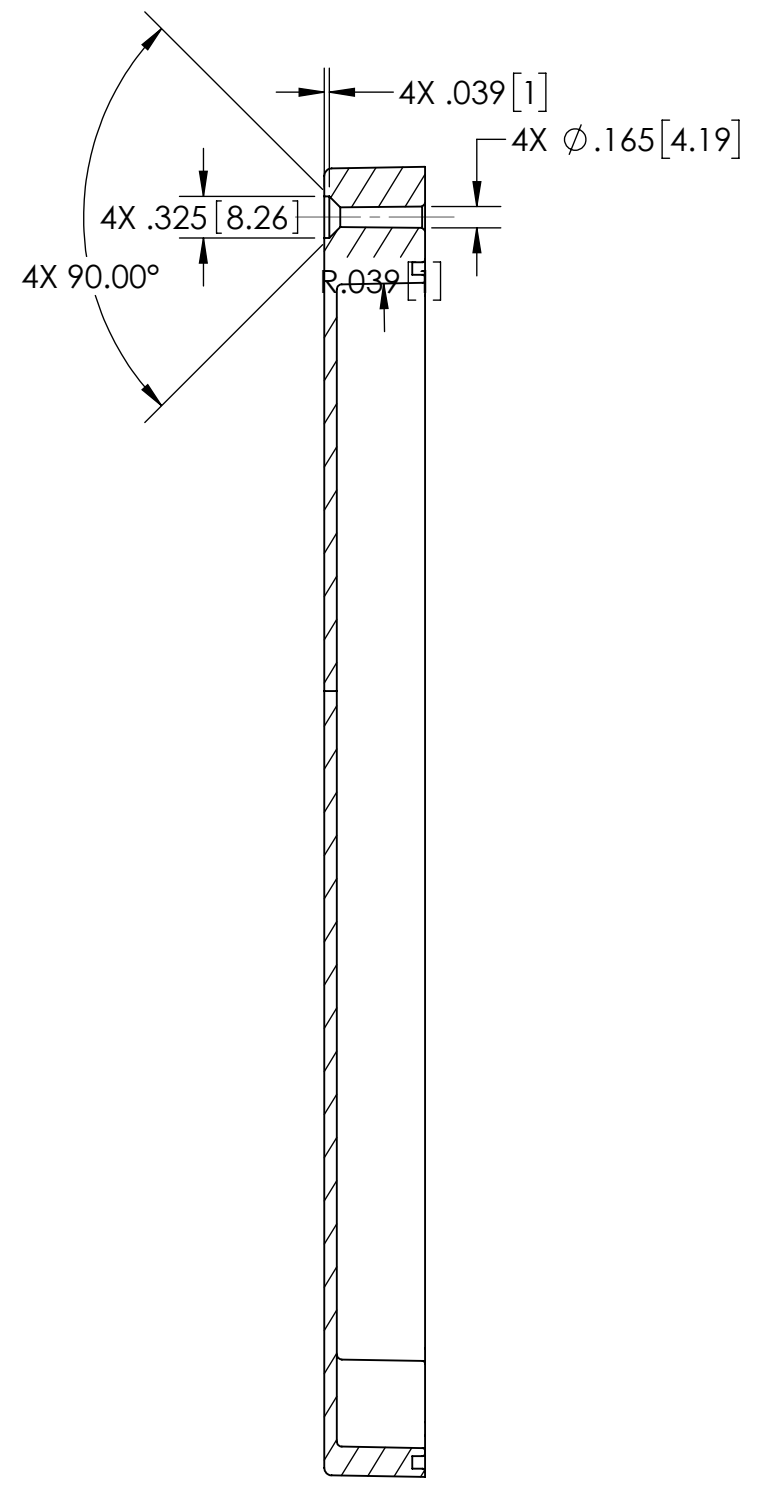


PART NUMBER: AN-23BP-02
 MATERIAL: ALUMINUM ADC12
 COLOR: BLACK

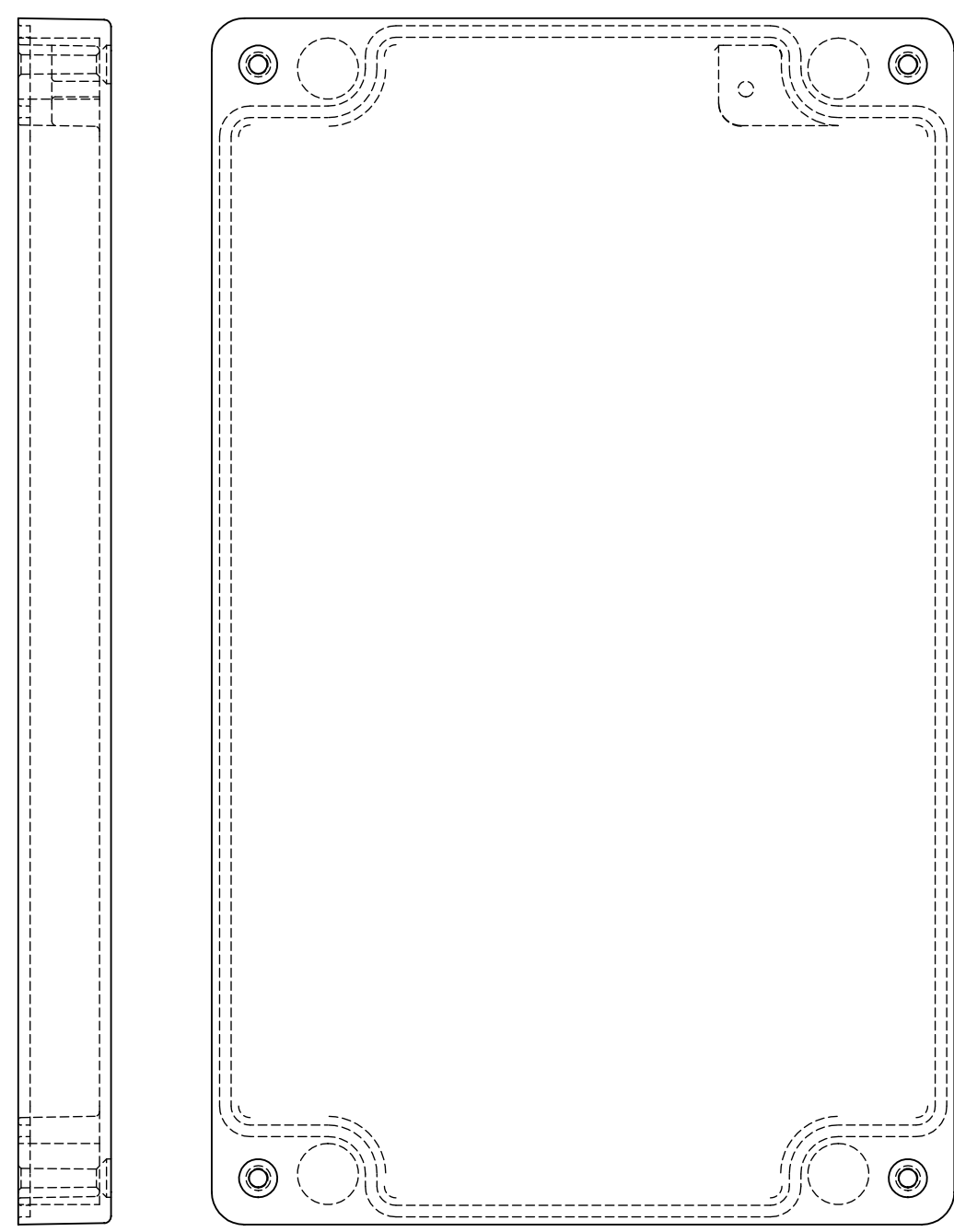
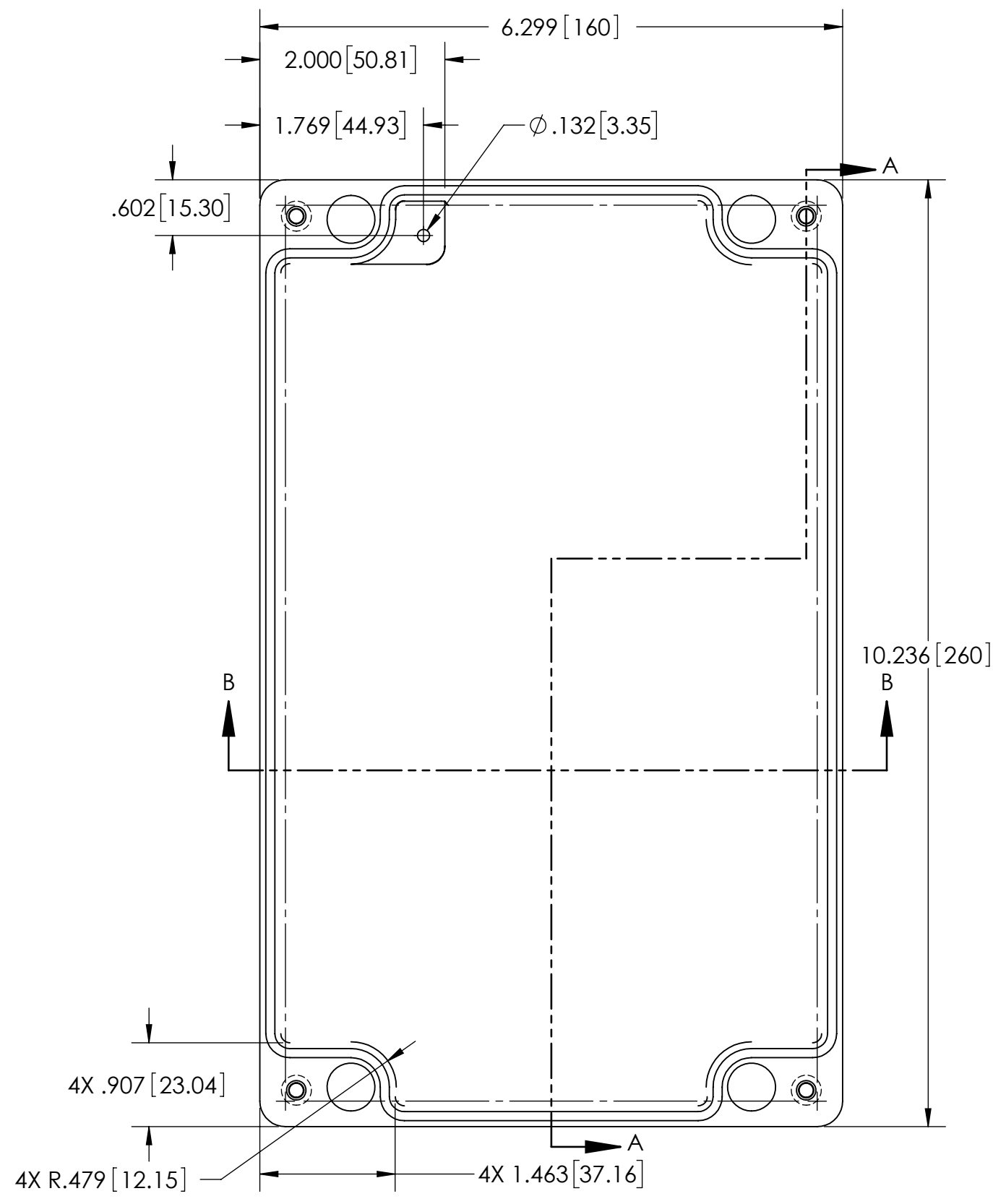
REV.	DESCRIPTION	ZONE	BY	APPR'D	DATE
REVISIONS					

UNLESS OTHERWISE SPECIFIED: DIMENSIONS ARE IN: INCHES[mm] TOLERANCES: ANGULAR: ±.5° TWO PLACE DECIMAL: ±. THREE PLACE DECIMAL: ±. PRINTED GRAPHICS: ±.010		PART NO. AS NOTED		 <small>1305 CHESTER RD. PARKWAY AVON, OHIO 44011-1083 U.S.A. PH: 1-800-248-1233 440-934-0444 FAX: 440-934-0088</small>	
<small>PROPRIETARY AND CONFIDENTIAL THE INFORMATION CONTAINED IN THIS DRAWING IS THE SOLE PROPERTY OF POLYCASE. ANY REPRODUCTION IN PART OR AS A WHOLE WITHOUT THE WRITTEN PERMISSION OF POLYCASE IS PROHIBITED. CAD FILE: AN-23BP</small>		MATERIAL AS NOTED			
<small>DRAWN CHECKED</small>		<small>NAME D.M.F.</small> <small>DATE 11/15/2016</small>		<small>FLAME RATING</small> -	
<small>SCALE: 1:1.5</small>		<small>SIZE</small> C		<small>NEMA BASE</small> -	
				<small>SHEET 1 OF 1</small>	

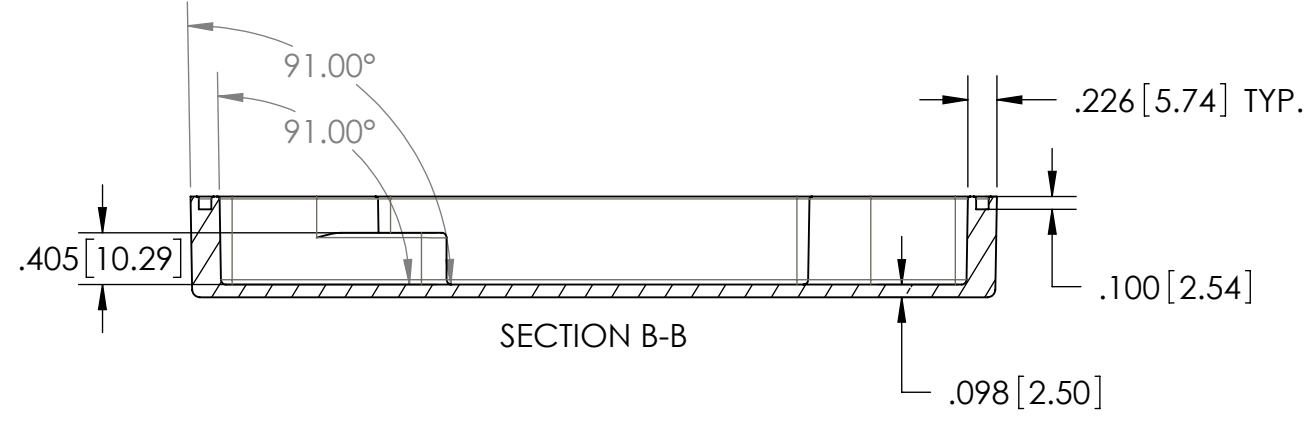
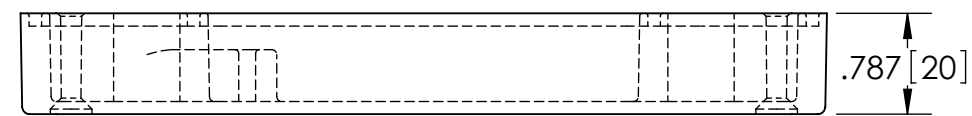
		TOLERANCE CHART																				
DIMENSION RANGE		0	.039	.118	.236	.394	.591	.866	1.181	1.575	2.087	2.756	3.543	4.724	6.299	7.874	9.843	12.402	15.748	19.685	24.803	31.496
TOOL DEPENDENT		±.007	±.007	±.008	±.008	±.009	±.010	±.011	±.012	±.013	±.015	±.017	±.020	±.024	±.028	±.035	.043	.051	.063	.079	.098	.118
NON-TOOL DEPENDENT		±.003	±.004	±.004	±.004	±.005	±.006	±.007	±.008	±.009	±.011	±.013	±.016	±.020	±.024	±.031	.039	.047	.059	.075	.094	.114



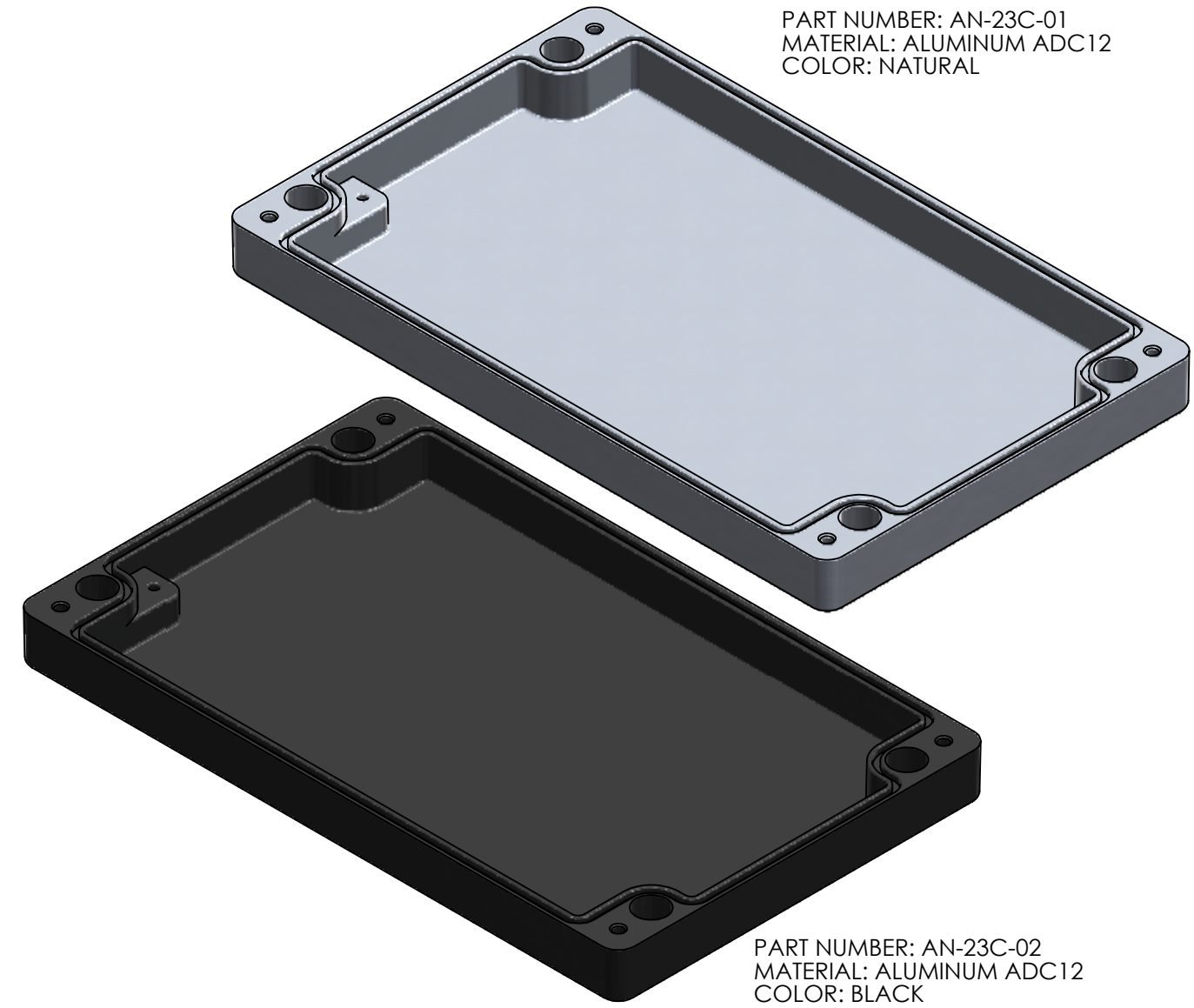
SECTION A-A



PART NUMBER: AN-23C-01
MATERIAL: ALUMINUM ADC12
COLOR: NATURAL



SECTION B-B



PART NUMBER: AN-23C-02
MATERIAL: ALUMINUM ADC12
COLOR: BLACK

UNLESS OTHERWISE SPECIFIED: DIMENSIONS ARE IN: INCHES[mm] TOLERANCES: ANGULAR: ±.5° TWO PLACE DECIMAL: ± THREE PLACE DECIMAL: ± PRINTED GRAPHICS: ±.010		PART NO. AS NOTED		 1305 CHESTER RD. PARKWAY AVON, OHIO 44011-1083 U.S.A. PH: 1-800-248-1233 440-934-0444 FAX: 440-934-0088	
PROPRIETARY AND CONFIDENTIAL THE INFORMATION CONTAINED IN THIS DRAWING IS THE SOLE PROPERTY OF POLYCASE. ANY REPRODUCTION IN PART OR AS A WHOLE WITHOUT THE WRITTEN PERMISSION OF POLYCASE IS PROHIBITED. CAD FILE: AN-23C		MATERIAL AS NOTED			
DRAWN CHECKED		NAME D.M.F.		DATE 11/15/2016	
FLAME RATING -		SIZE C		NEMA COVER -	
SCALE: 1:1.5		SHEET 1 OF 1		REV	

REV.	DESCRIPTION	ZONE	BY	APPR'D	DATE
	REVISIONS				