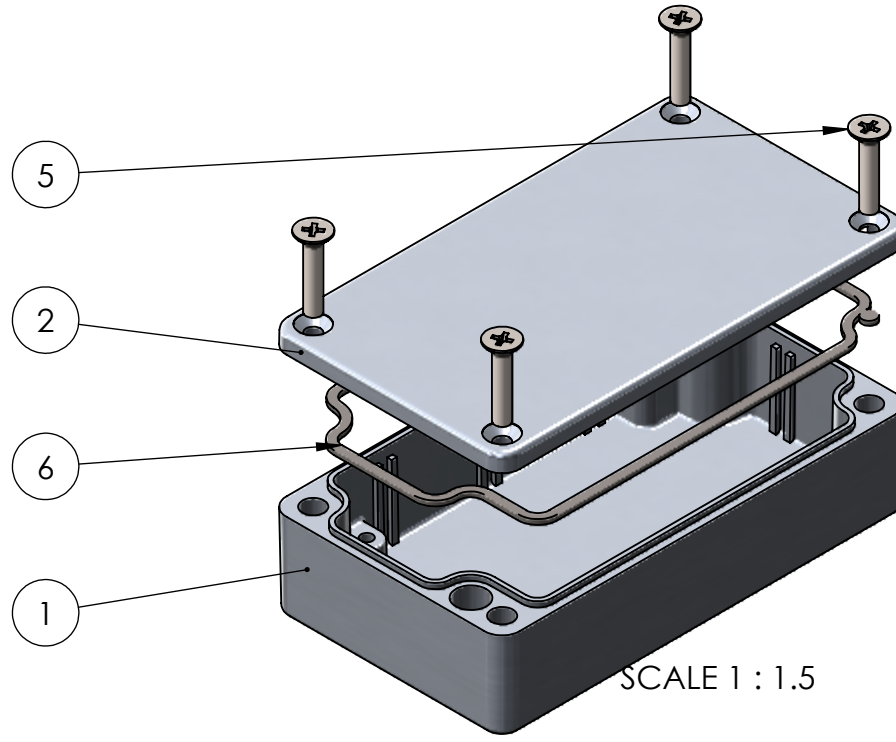
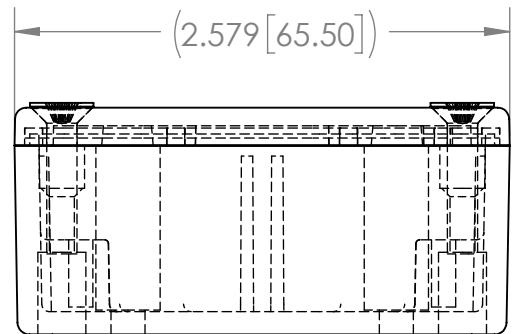
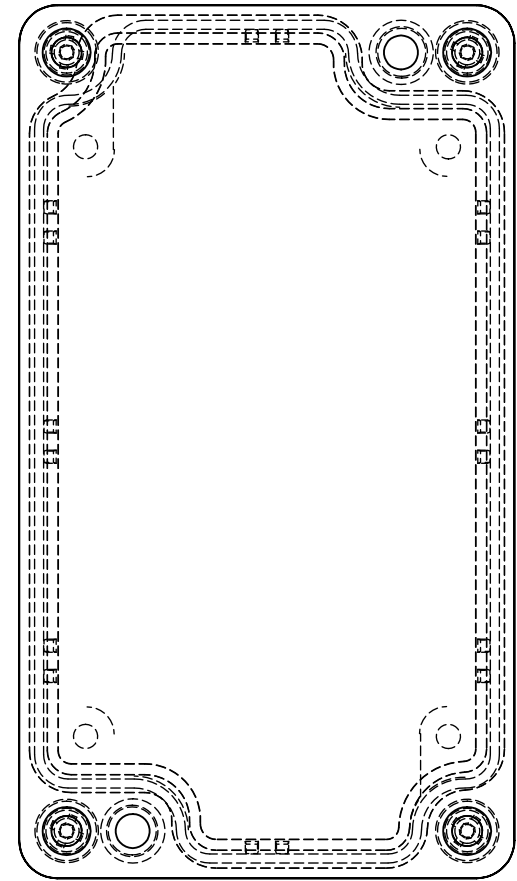
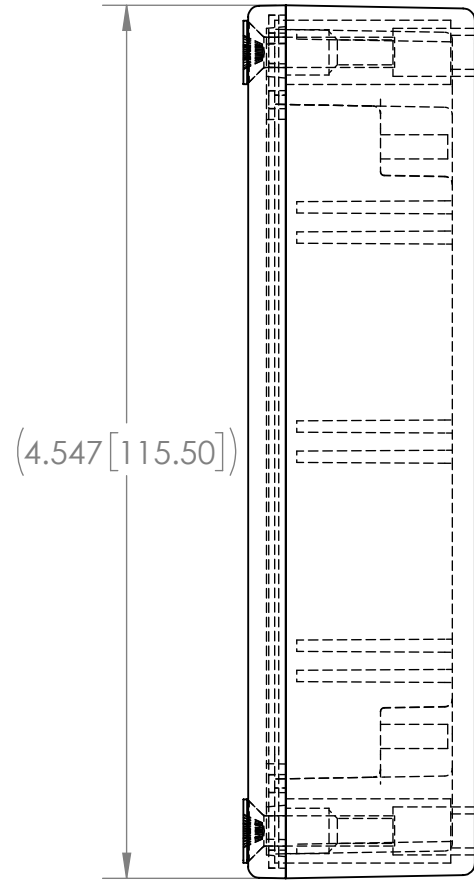
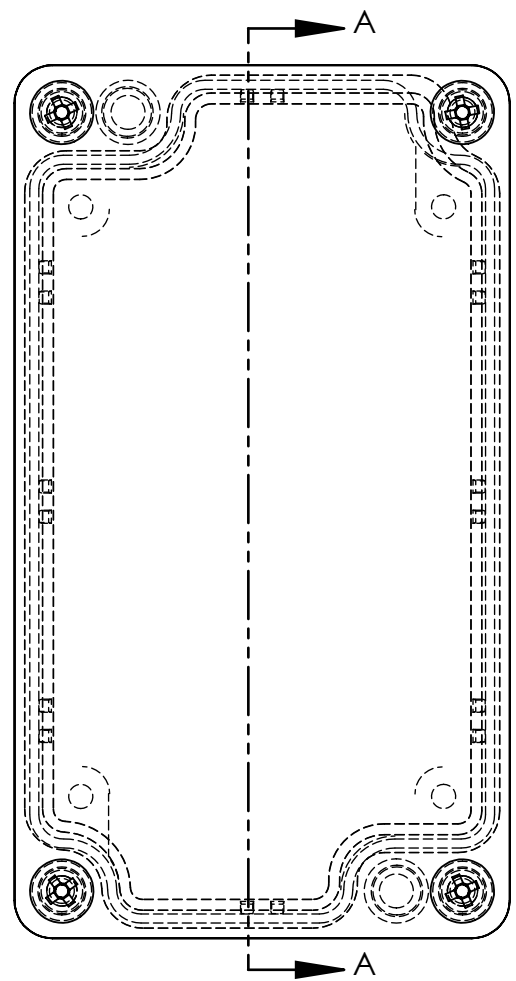
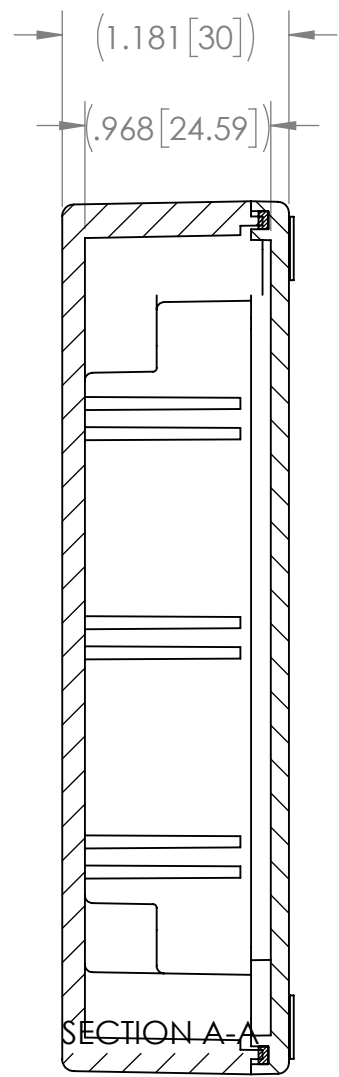
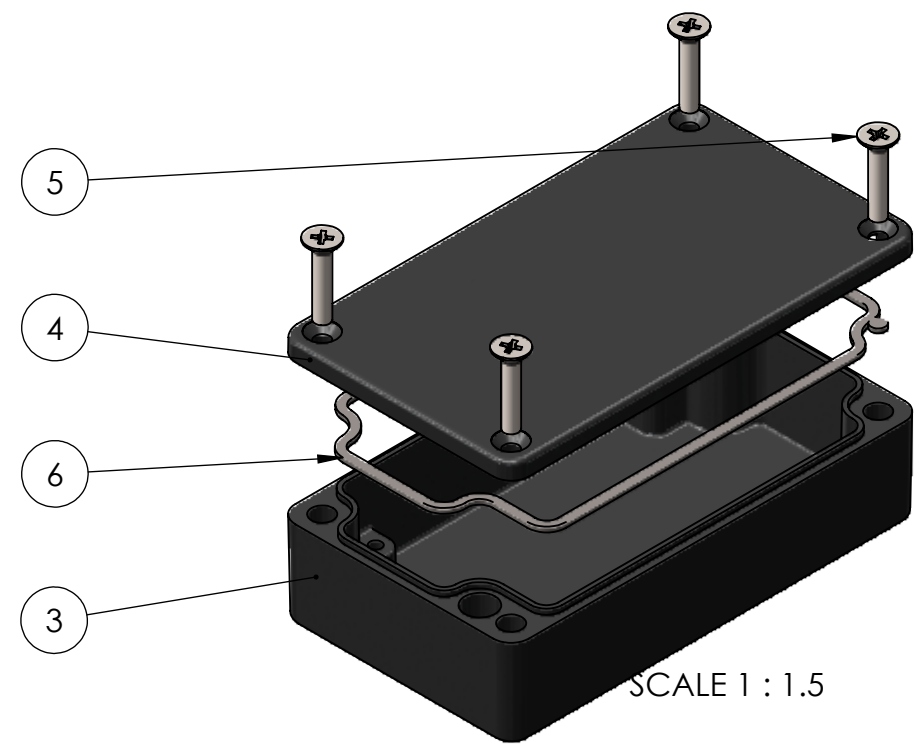


BOM Table							
ITEM NO.	PART NUMBER	Rev.	Description	Material	Color	AN-02P-01/QTY.	AN-02P-02/QTY.
1	AN-02BP-01	-	ALUMINUM NEMA BASE	ALUMINUM ADC12	NATURAL	1	-
2	AN-02C-01	-	COVER	ALUMINUM ADC12	NATURAL	1	-
3	AN-02BP-02	-	ALUMINUM NEMA BASE	ALUMINUM ADC12	BLACK	-	1
4	AN-02C-02	-	COVER	ALUMINUM ADC12	BLACK	-	1
5	SCREWS-034-4	-	M4X0.7 X 20mm FHMS 4-PACK			1	1
6	GASKET-102-01	-	GASKET	SILICONE	GRAY	1	1



PART NUMBER: AN-02P-01



PART NUMBER: AN-02P-02

UNLESS OTHERWISE SPECIFIED:
 DIMENSIONS ARE IN: INCHES[mm]
 TOLERANCES: ANGULAR: ±2°
 TWO PLACE DECIMAL: ±.010
 THREE PLACE DECIMAL: ±.005
 PRINTED GRAPHICS: ±.010

PROPRIETARY AND CONFIDENTIAL
 THE INFORMATION CONTAINED IN THIS
 DRAWING IS THE SOLE PROPERTY OF
 POLYCASE. ANY REPRODUCTION IN PART
 OR AS A WHOLE WITHOUT THE WRITTEN
 PERMISSION OF POLYCASE IS PROHIBITED.
 CAD FILE: AN-02P

PART NO. AS NOTED	FLAME RATING -	SIZE C
MATERIAL AS NOTED	NAME D.M.F.	DATE 11/14/2016
	CHECKED C.C.B.	DATE 12/27/2016

1305 CHESTER RD. PARKWAY AVON, OHIO 44011-1083 U.S.A.
 PH: 1-800-248-1233 440-934-0444 FAX: 440-934-0088

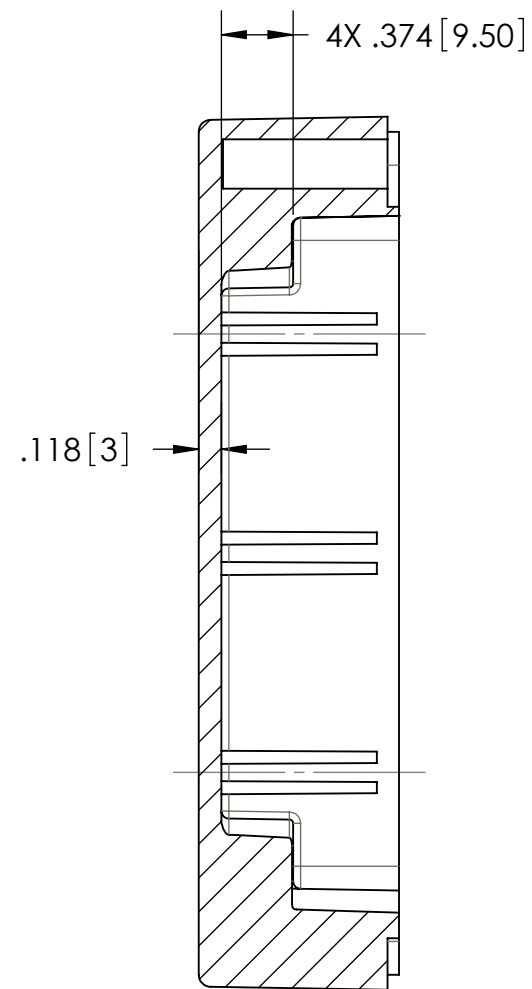
SCALE: 1:1

SHEET 1 OF 1

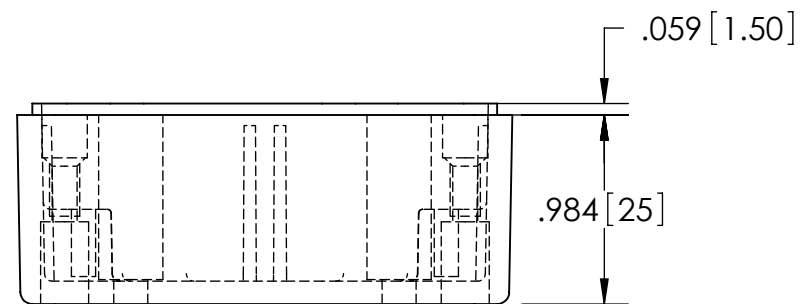
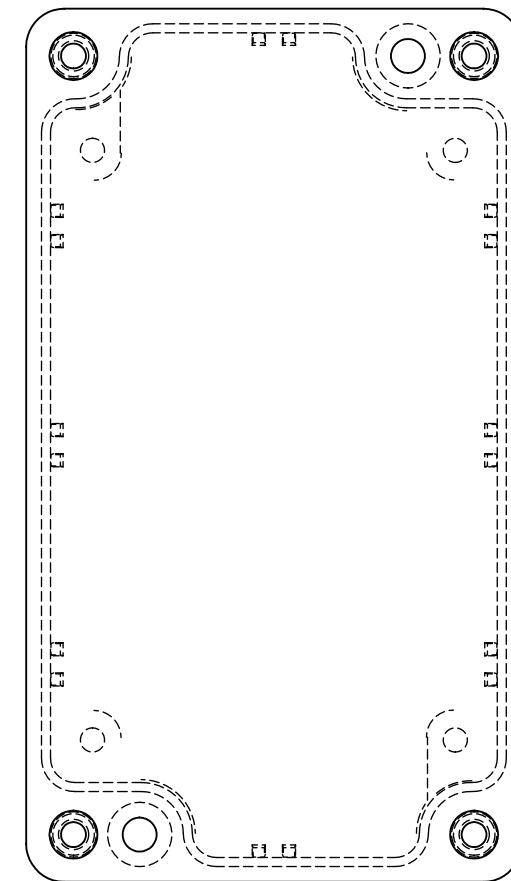
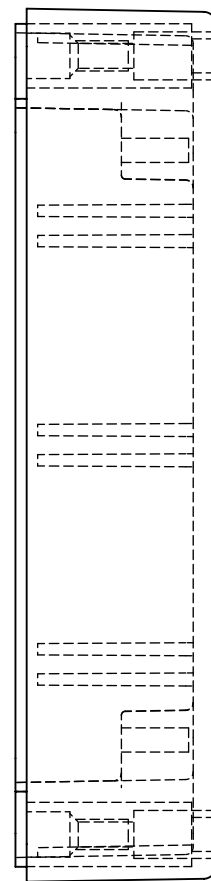
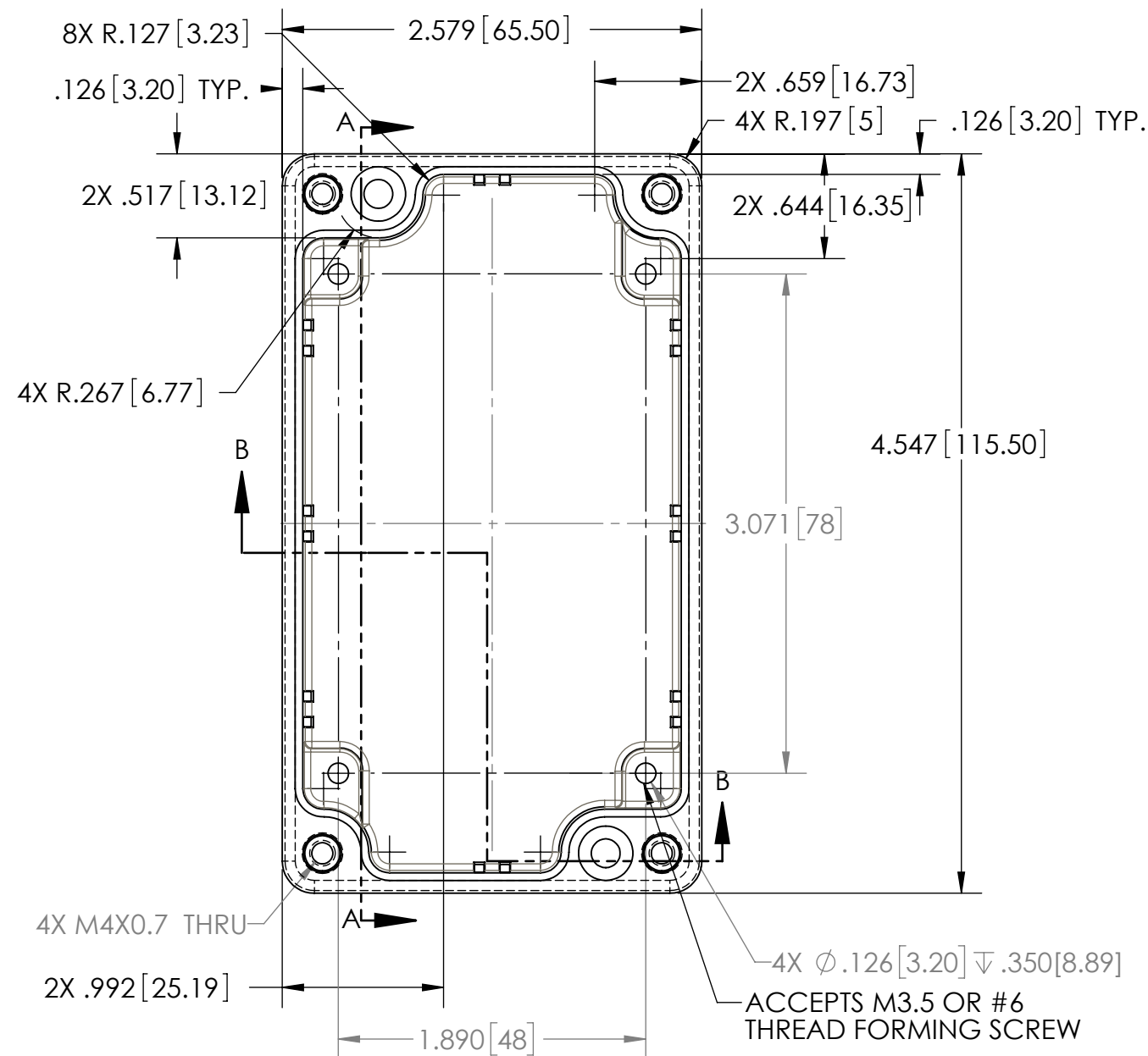
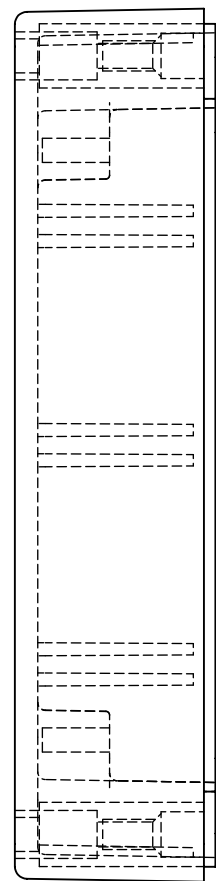
REV.	DESCRIPTION	ZONE	BY	APPR'D	DATE

REVISIONS

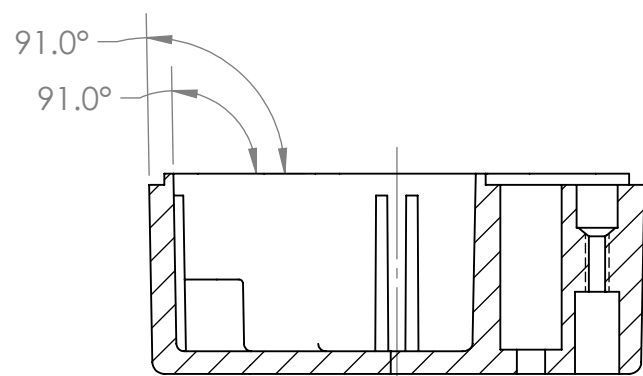
		TOLERANCE CHART														
DIMENSION RANGE	0	.039	.118	.236	.394	.591	.866	1.181	1.575	2.087	2.756	3.543	4.724	6.299	7.874	
	TOOL DEPENDENT	±.007	±.007	±.008	±.008	±.009	±.010	±.011	±.012	±.013	±.015	±.015	±.017	±.020	±.024	±.028
NON-TOOL DEPENDENT	±.003	±.004	±.004	±.004	±.005	±.006	±.007	±.008	±.009	±.011	±.013	±.016	±.020	±.024	±.031	



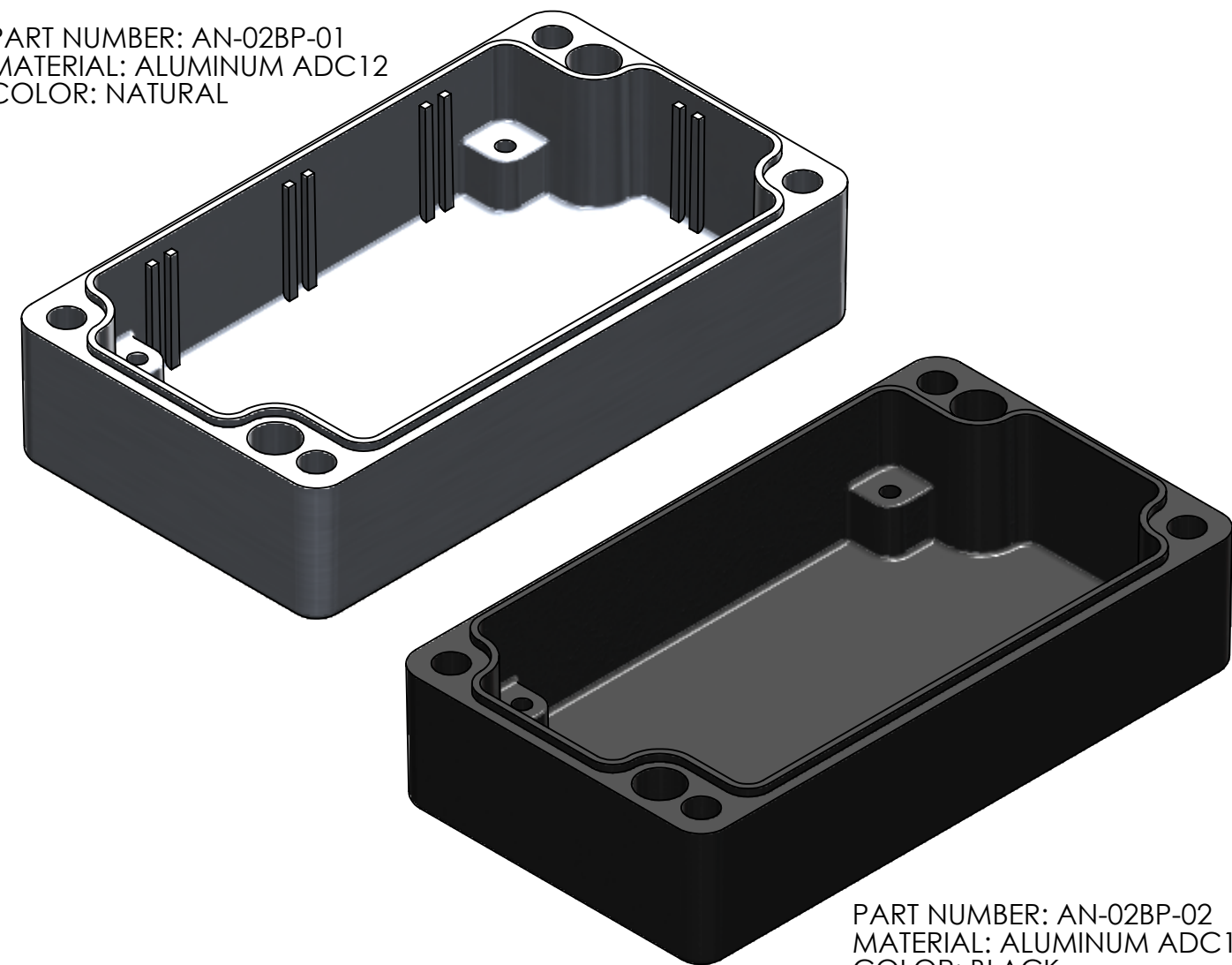
SECTION A-A



SECTION B-B



PART NUMBER: AN-02BP-01
MATERIAL: ALUMINUM ADC12
COLOR: NATURAL



PART NUMBER: AN-02BP-02
MATERIAL: ALUMINUM ADC12
COLOR: BLACK

UNLESS OTHERWISE SPECIFIED:
DIMENSIONS ARE IN: INCHES[mm]
TOLERANCES: ANGULAR: ±.5°
TWO PLACE DECIMAL: ±
THREE PLACE DECIMAL: ±
PRINTED GRAPHICS: ±.010

PROPRIETARY AND CONFIDENTIAL
THE INFORMATION CONTAINED IN THIS
DRAWING IS THE SOLE PROPERTY OF
POLYCASE. ANY REPRODUCTION IN PART
OR AS A WHOLE WITHOUT THE WRITTEN
PERMISSION OF POLYCASE IS PROHIBITED.
CAD FILE: AN-02BP

PART NO.
AS NOTED

MATERIAL
AS NOTED

FLAME RATING
-

NAME
D.M.F.

DATE
11/15/2016

SIZE
C

SCALE: 1:1

REV
-

1305 CHESTER RD. PARKWAY AVON, OHIO 44011-1083 U.S.A.
PH: 1-800-248-1233, 440-934-0444 FAX: 440-934-0088

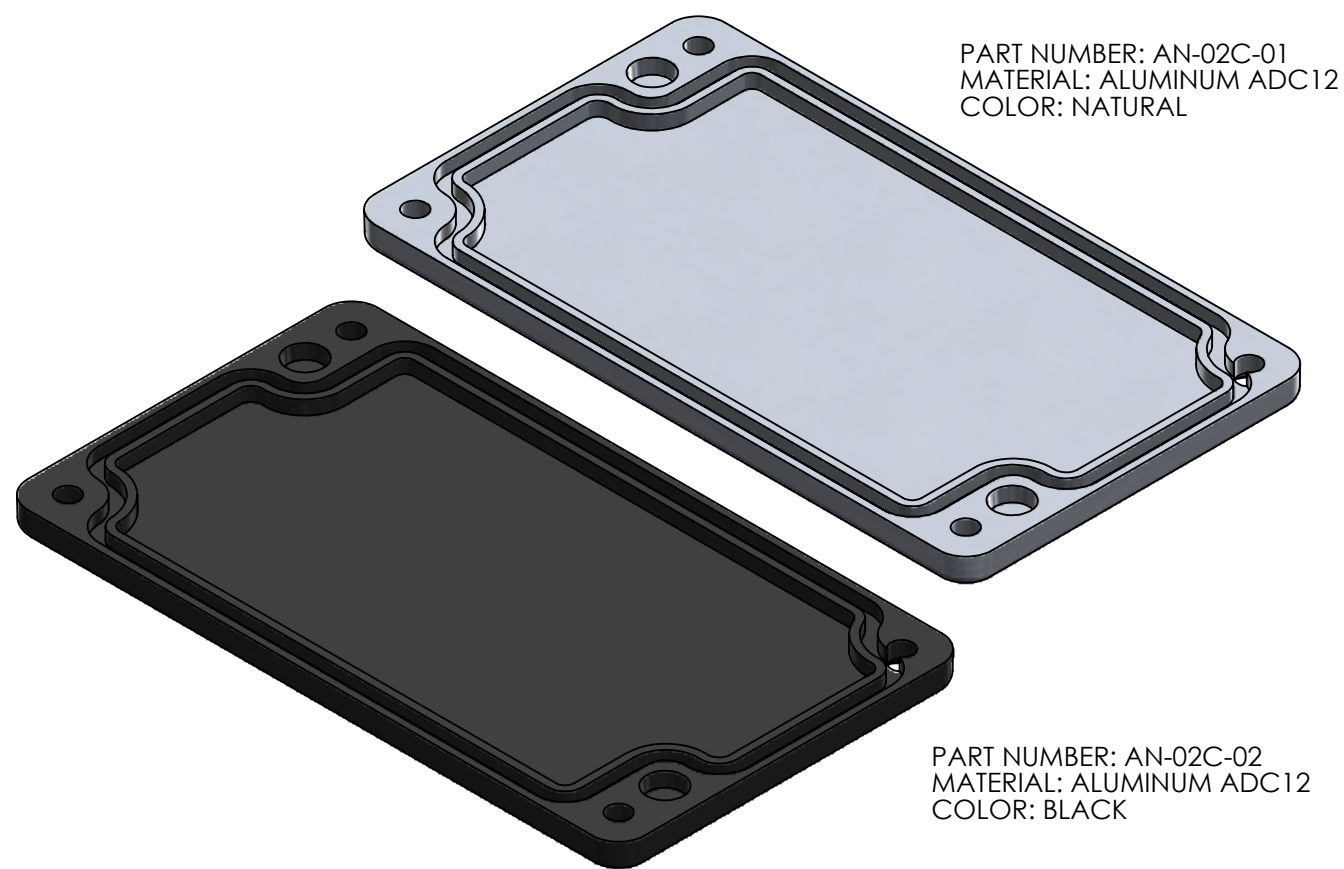
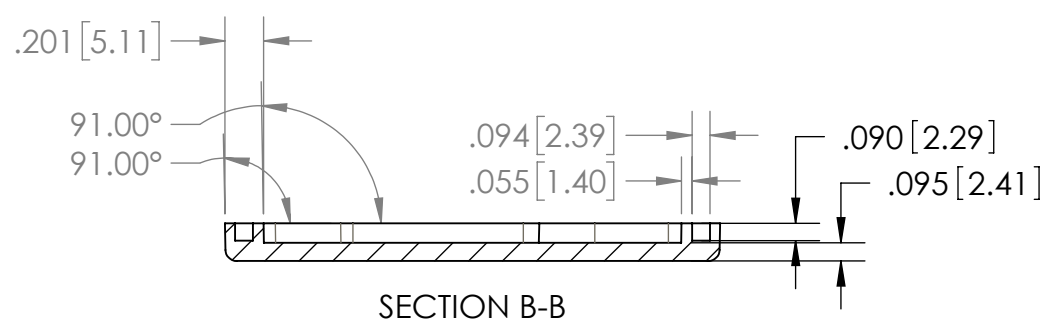
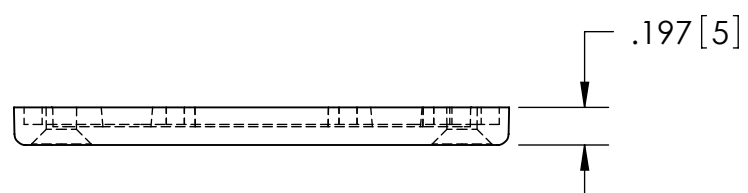
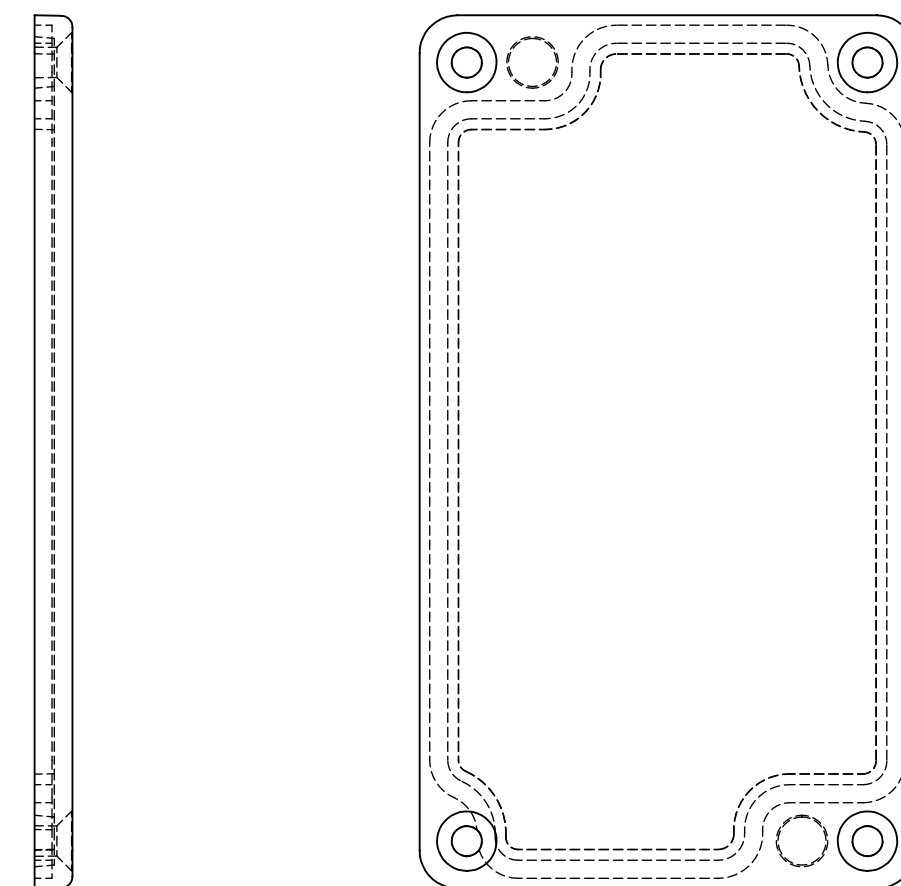
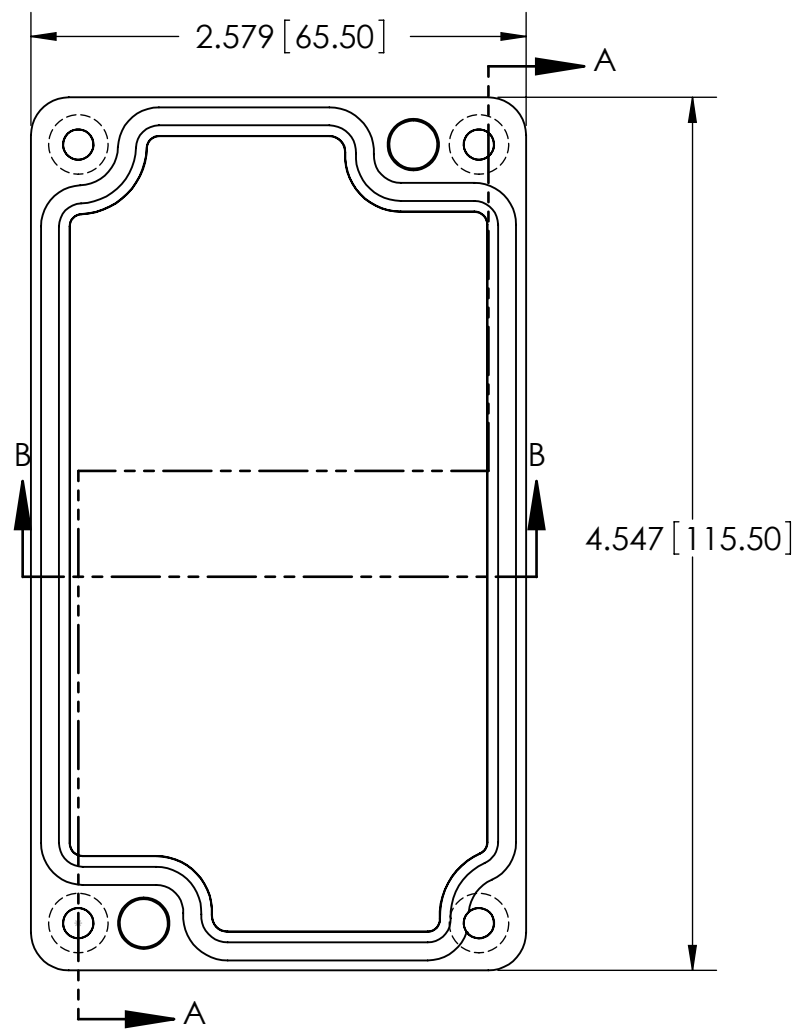
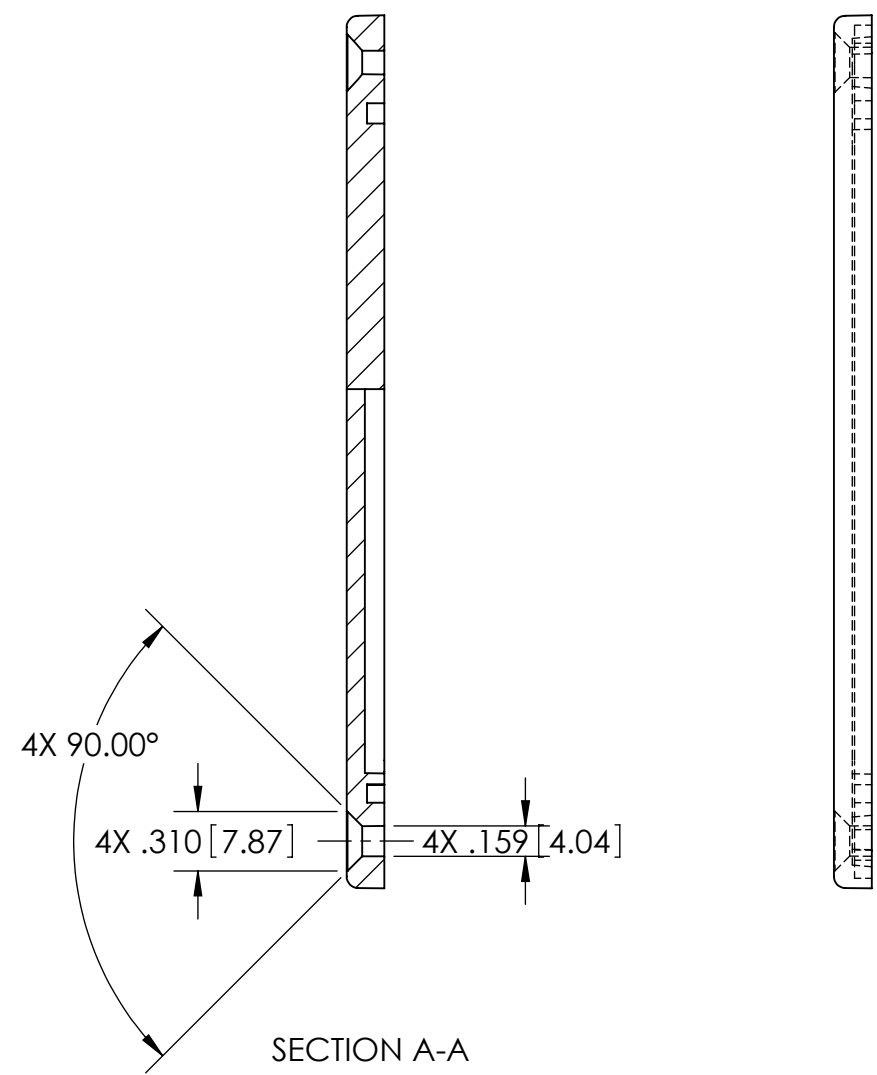
DRAWN
CHECKED

DATE
12/27/2016

SHEET 1 OF 1

REV.	DESCRIPTION	ZONE	BY	APP'D	DATE
REVISIONS					

		TOLERANCE CHART																			
DIMENSION RANGE	0	.039	.118	.236	.394	.591	.866	1.181	1.575	2.087	2.756	3.543	4.724	6.299	7.874	9.843	12.402	15.748	19.685	24.803	31.496
TOOL DEPENDENT	±.007	±.007	±.008	±.008	±.009	±.010	±.011	±.012	±.013	±.015	±.017	±.020	±.024	±.028	±.035	.043	.051	.063	.079	.098	.118
NON-TOOL DEPENDENT	±.003	±.004	±.004	±.004	±.005	±.006	±.007	±.008	±.009	±.011	±.013	±.016	±.020	±.024	±.031	.039	.047	.059	.075	.094	.114



REV.	DESCRIPTION	ZONE	BY	APPR'D	DATE
REVISIONS					

UNLESS OTHERWISE SPECIFIED:
DIMENSIONS ARE IN: INCHES[mm]
TOLERANCES: ANGULAR: ±.5°
TWO PLACE DECIMAL: ±
THREE PLACE DECIMAL: ±
PRINTED GRAPHICS: ±.010

PROPRIETARY AND CONFIDENTIAL
THE INFORMATION CONTAINED IN THIS
DRAWING IS THE SOLE PROPERTY OF
POLYCASE. ANY REPRODUCTION IN PART
OR AS A WHOLE WITHOUT THE WRITTEN
PERMISSION OF POLYCASE IS PROHIBITED.
CAD FILE: AN-02C

PART NO.
AS NOTED

MATERIAL
AS NOTED

FLAME RATING
-

SIZE
C

SCALE: 1:1

COVER

REV
-

NAME: D.M.F.
DATE: 11/15/2016

CHECKED: C.C.B.
DATE: 12/27/2016

1305 CHESTER RD. PARKWAY AVON, OHIO 44011-1083 U.S.A.
PH: 1-800-248-1233, 440-934-0444 FAX: 440-934-0088

SHEET 1 OF 1