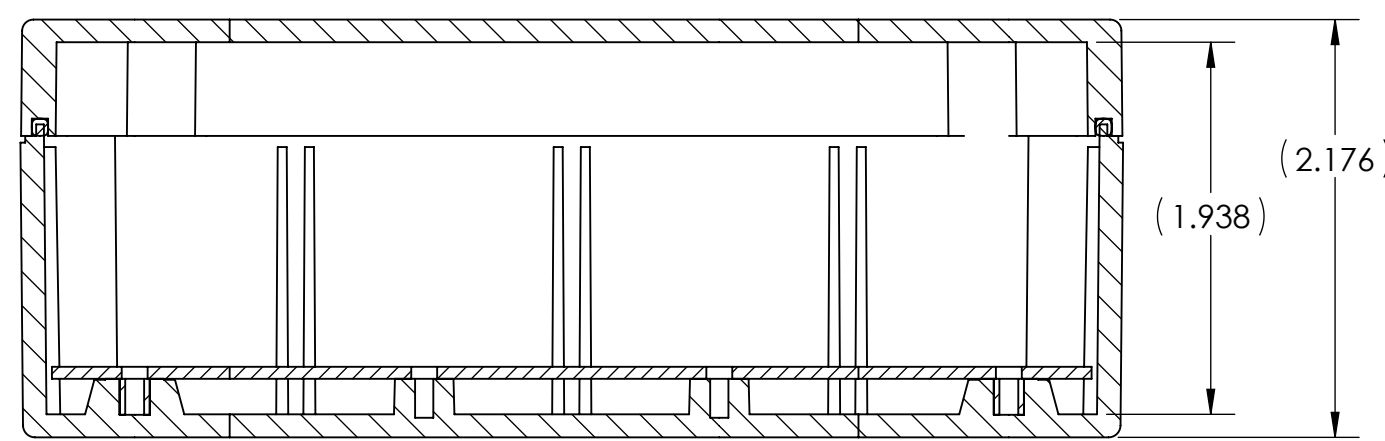
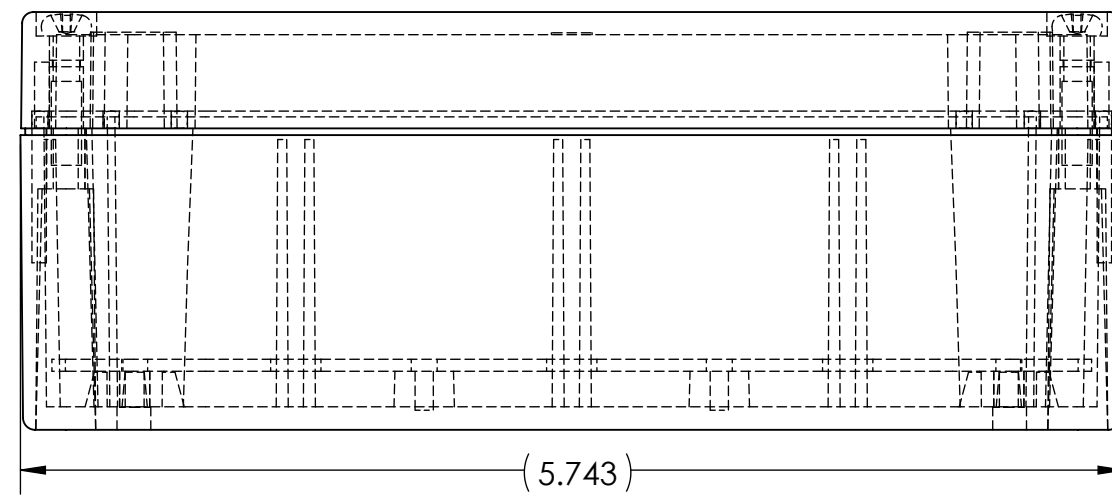
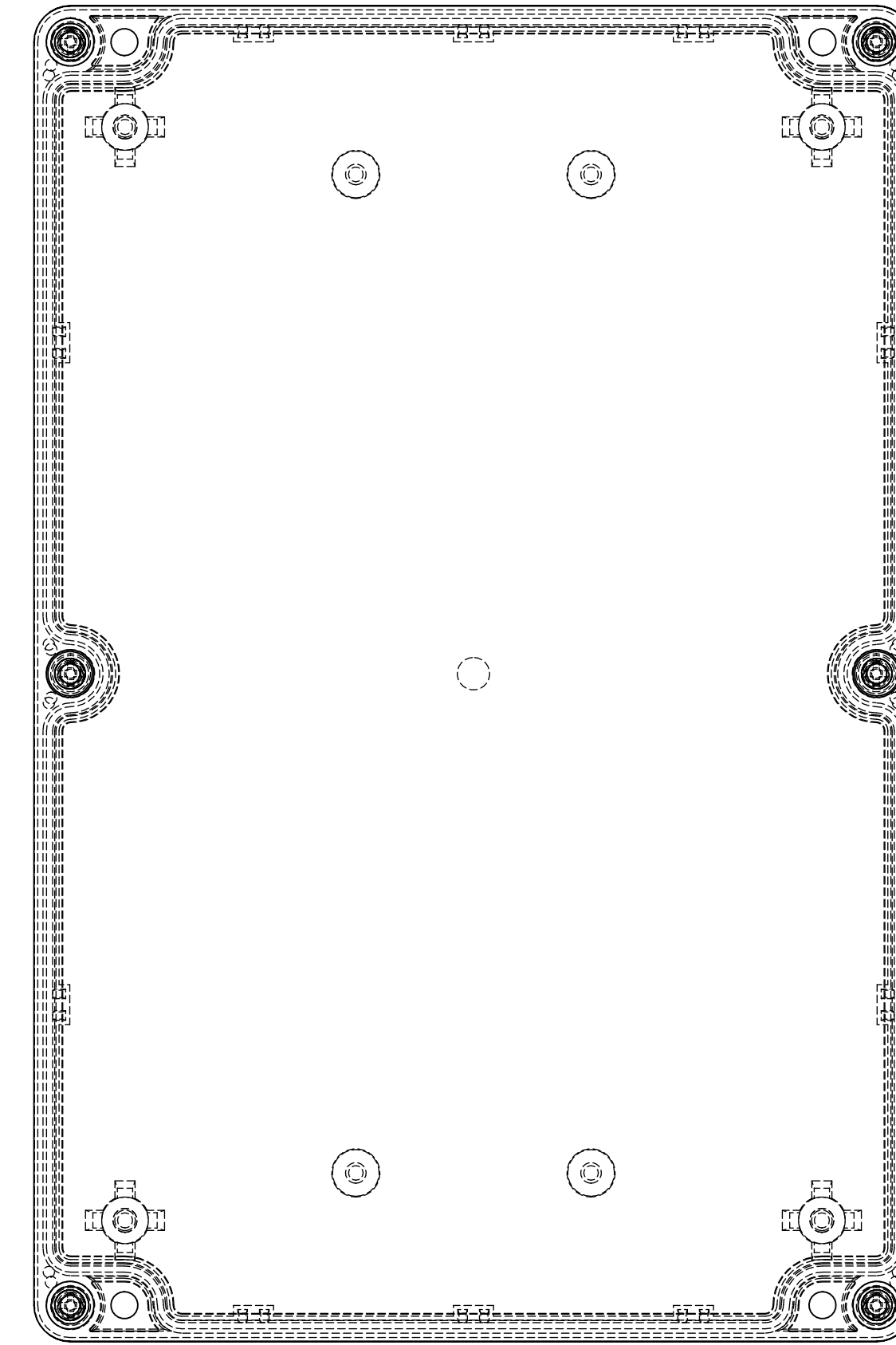
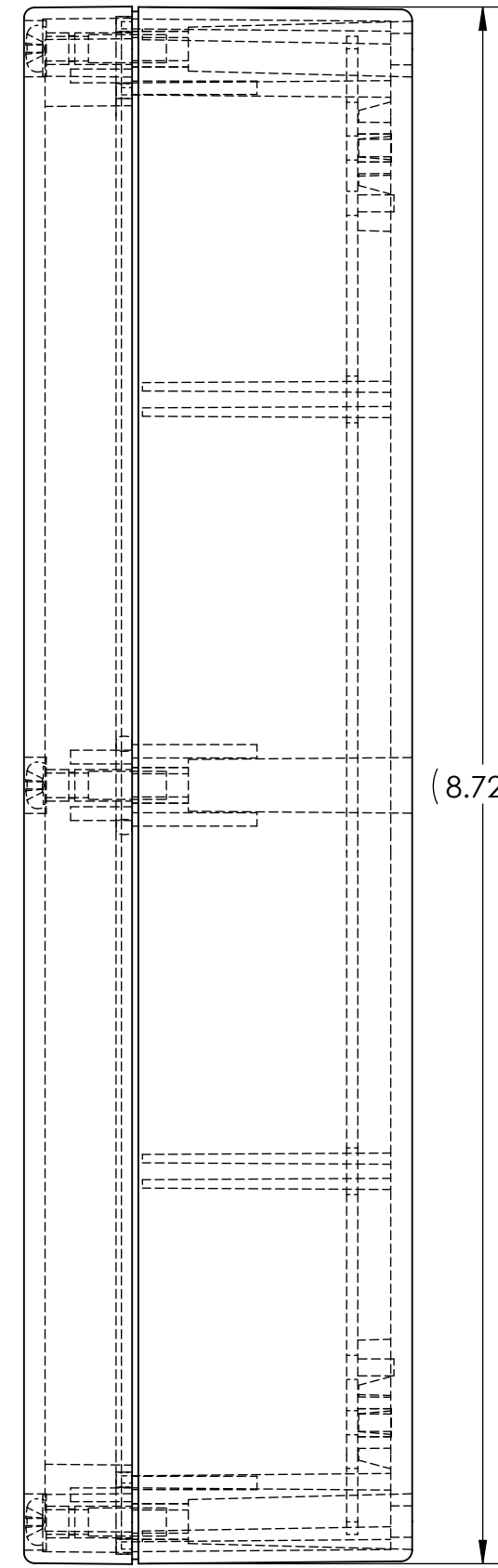
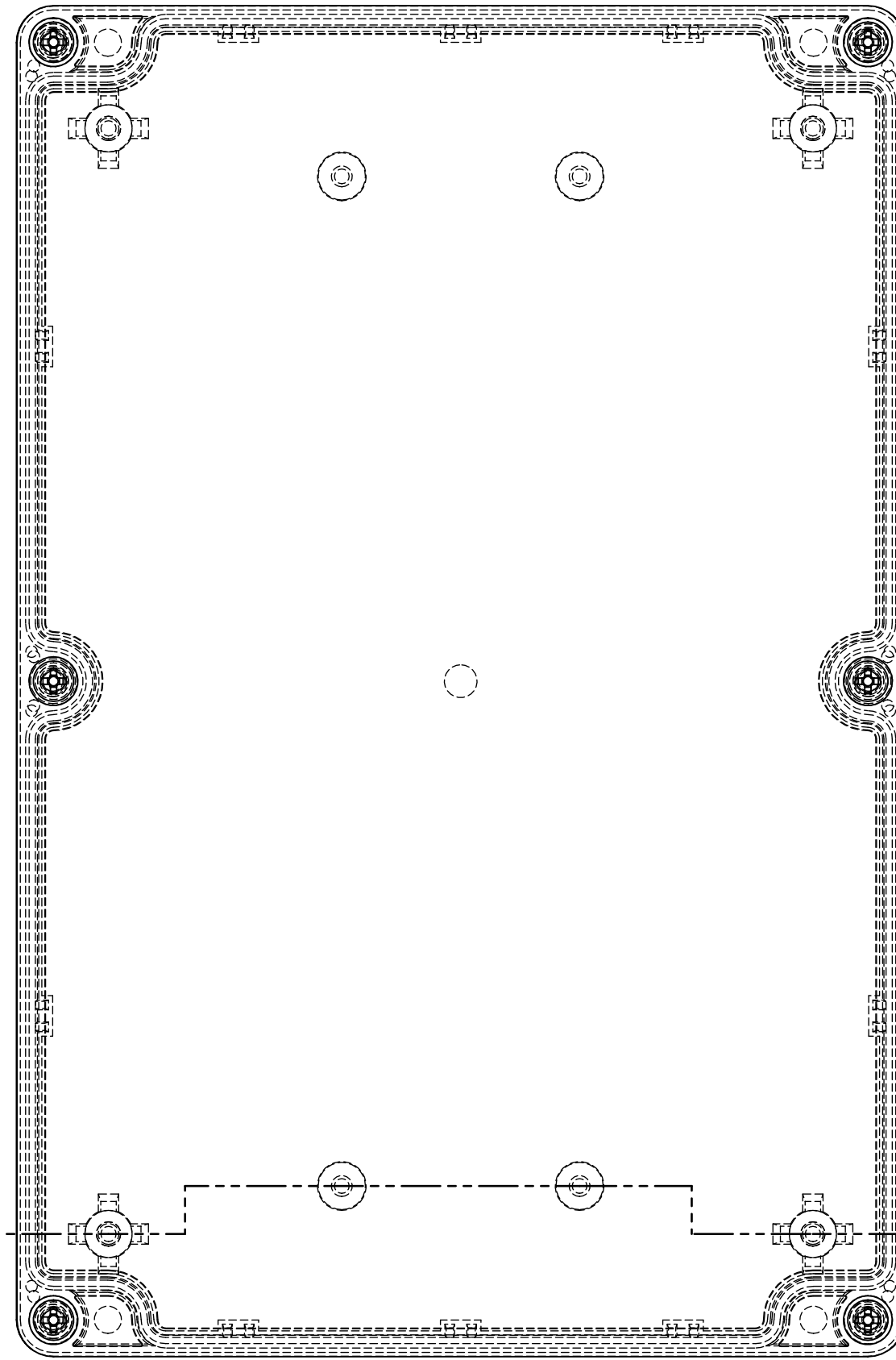
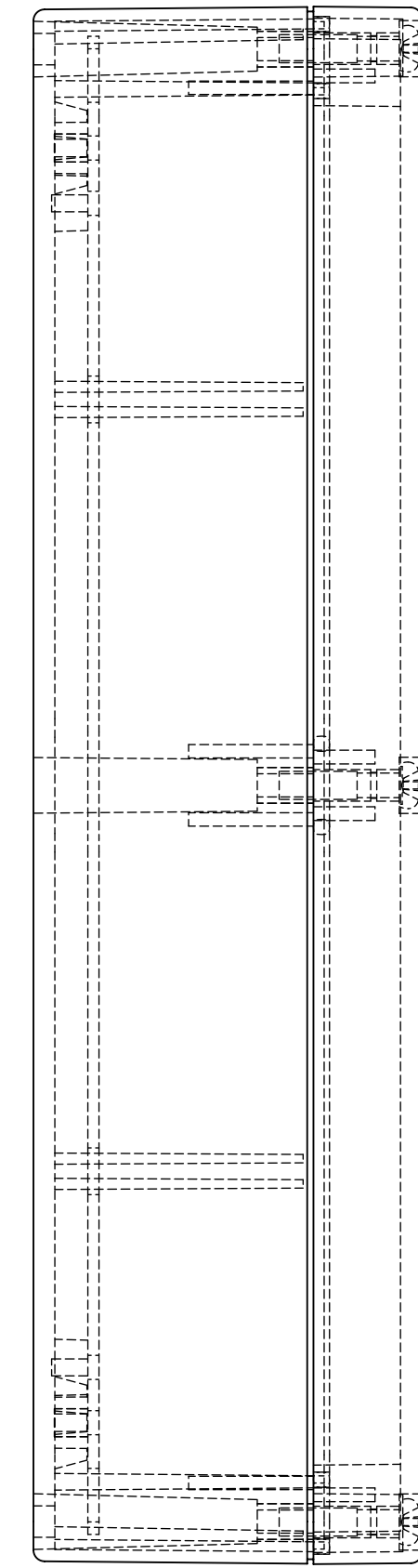
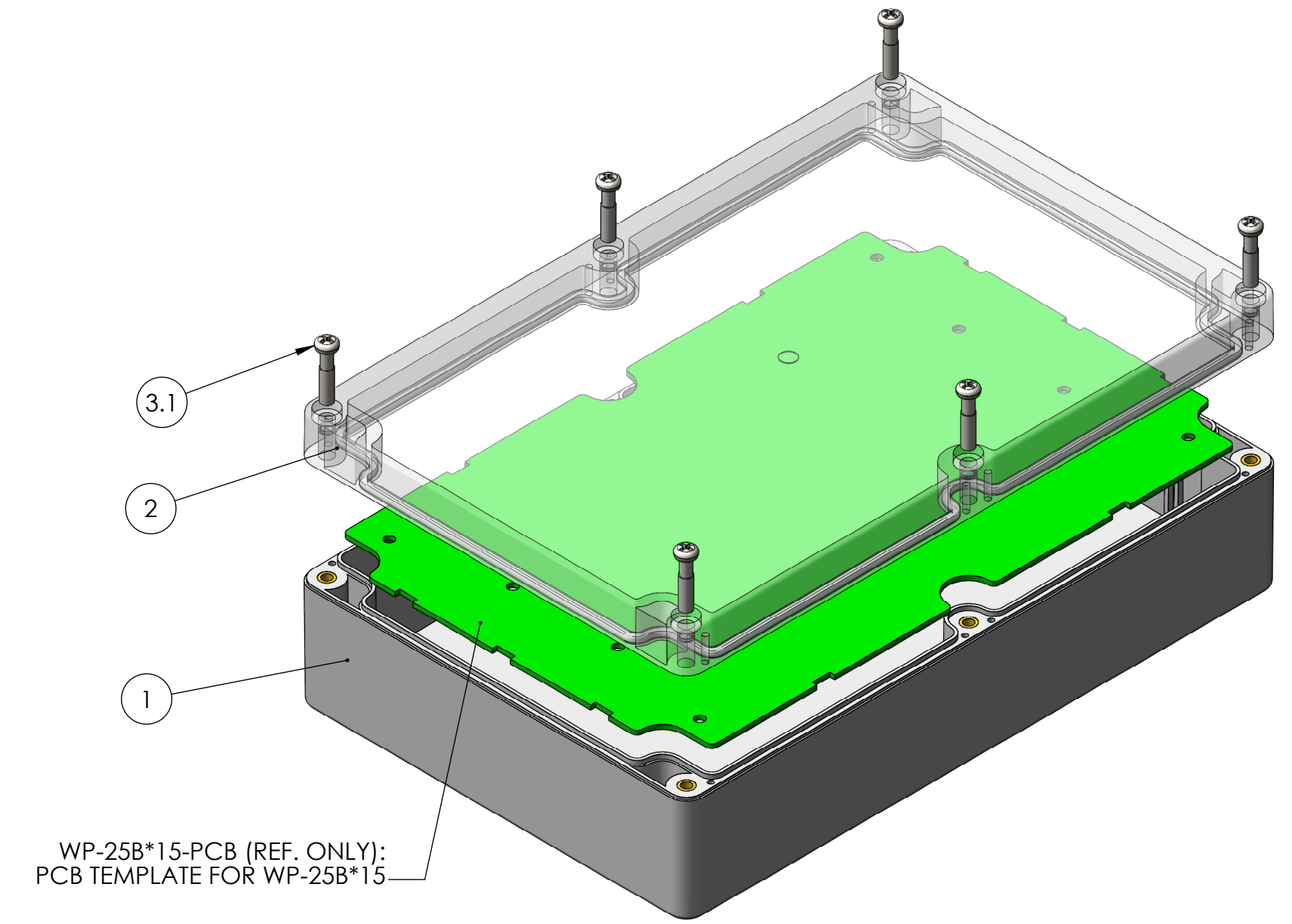


BOM Table							
ITEM NO.	PART NUMBER	Rev.	Description	Material	FlameRating	Color	QTY.
1	WP-25B*15	-	WP BASE, W/MOUNTING BOSSES	POLYCARBONATE	UL94-HB (UL FILE E41613)	LIGHT GRAY	1
2	WC-25C*08	-	WC COVER, W/GASKET	POLYCARBONATE	UL94-HB (UL FILE E41613)	CLEAR	1
3	SCREWS-SSM4-20-6	-	ASSEMBLY SCREWS, 6 PACK				1
3.1	SCREWS-SSM4-20	-	M4X0.7 X 20mm OAL, PHILLIPS DRIVE MACHINE SCREW	STAINLESS STEEL			6



SECTION A-A



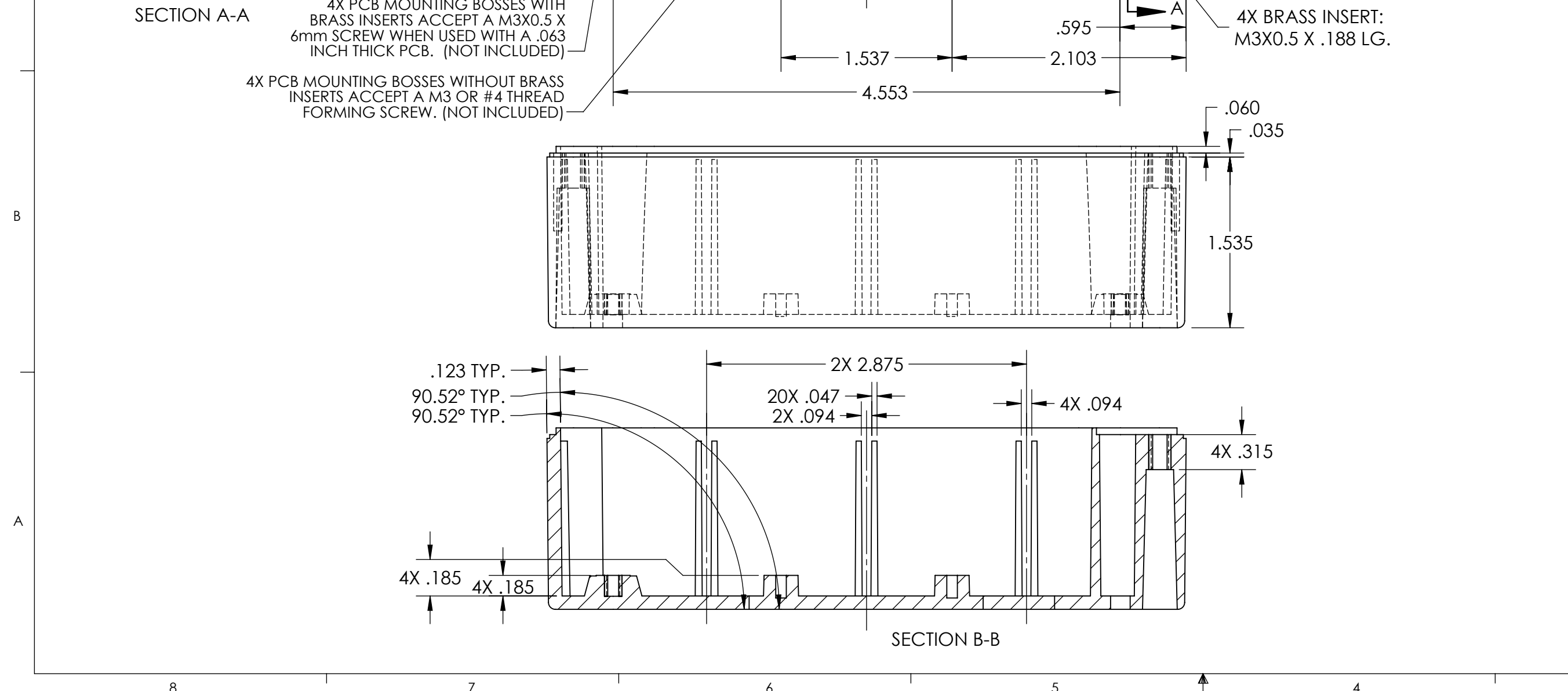
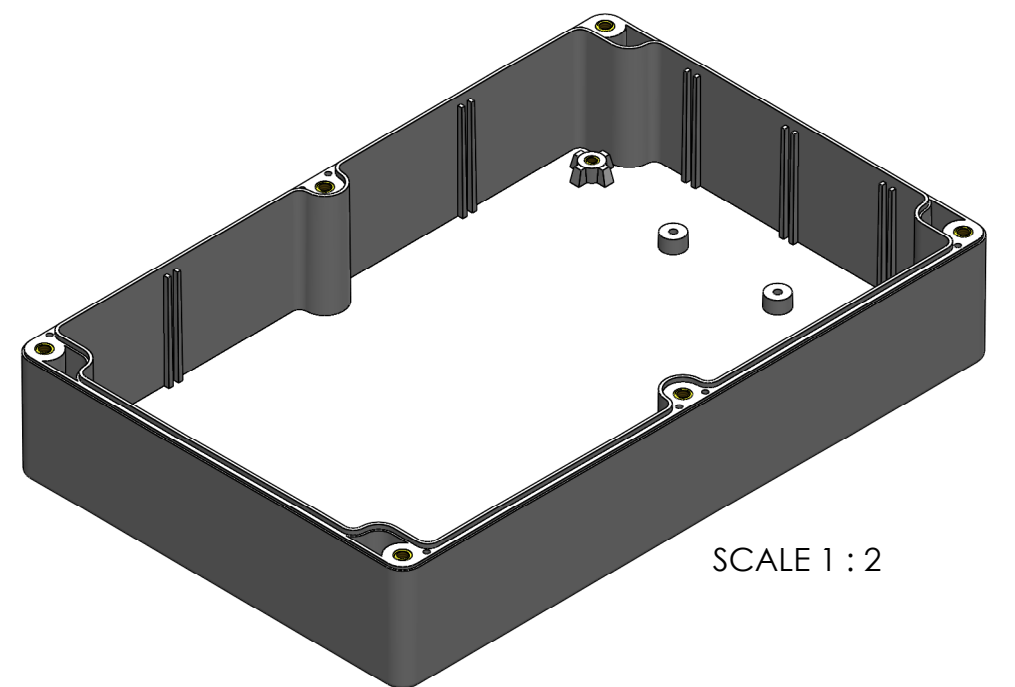
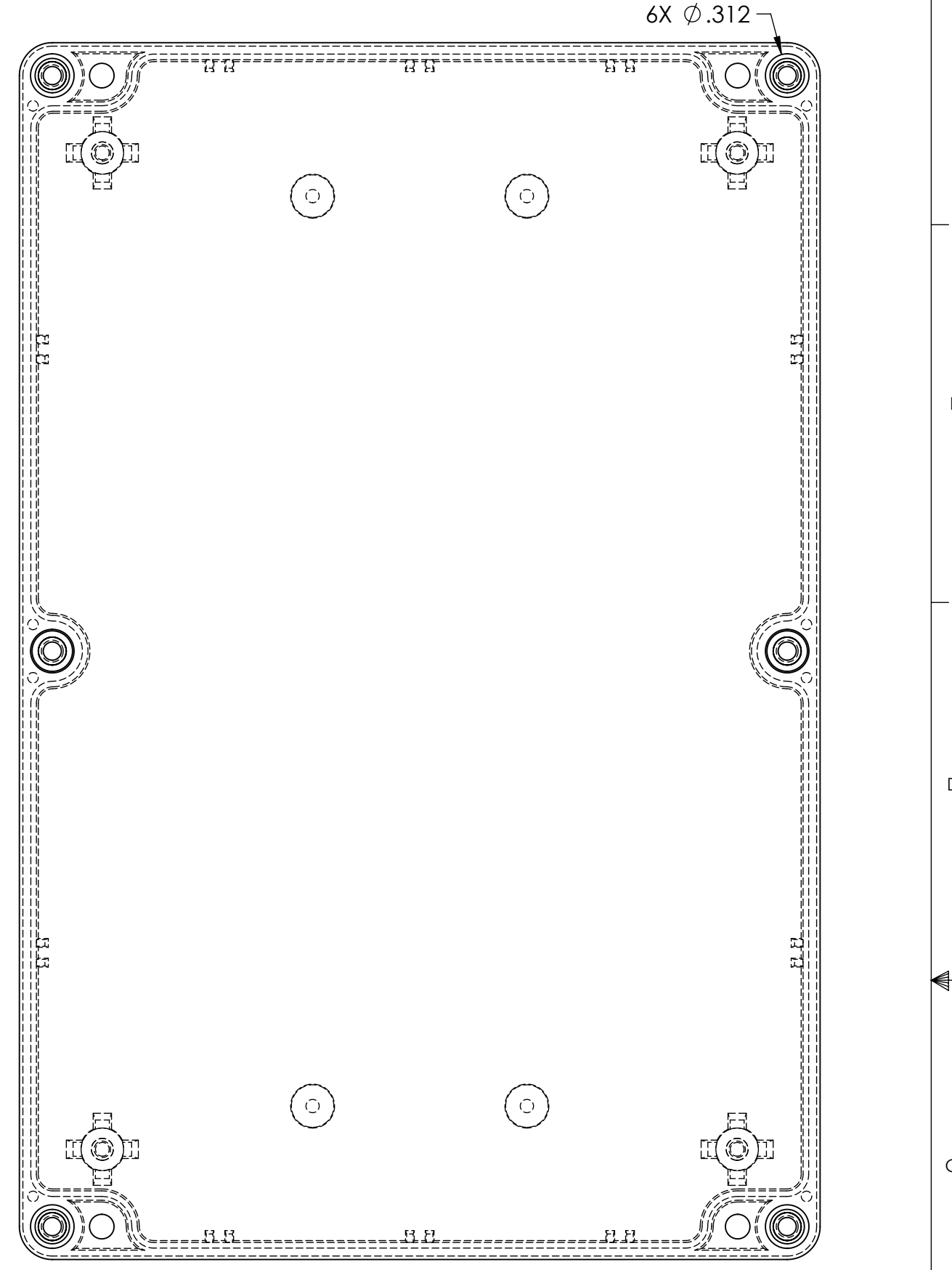
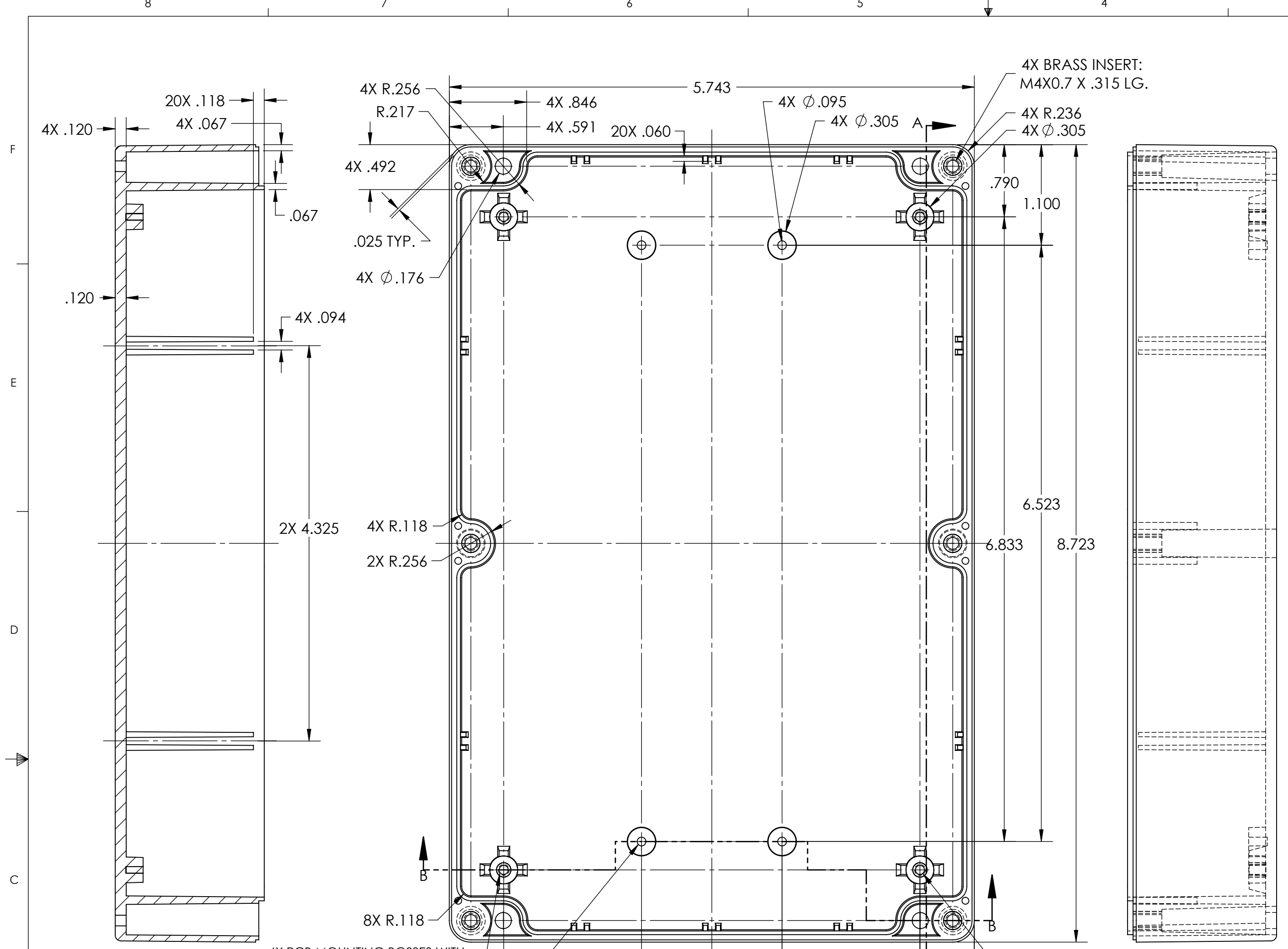
WP-25B\*15-PCB (REF. ONLY):  
PCB TEMPLATE FOR WP-25B\*15

SCALE 1 : 1.5

- NOTES:  
 1. SERVICE TEMPERATURE RANGE: -40°C TO 120°C  
 2. DESIGNED TO NEMA 1, 2, 4, 4X, 12, 13  
 3. MOUNTING FLANGE KITS ARE AVAILABLE FROM POLYCASE.  
 4. UL LISTED TO UL508-4X SPECIFICATIONS (UL FILE #E194432).

UNLESS OTHERWISE SPECIFIED: DIMENSIONS ARE IN INCHES/TYPED TOLERANCES: ANGULAR: 22° TWO PLACE DECIMAL: 0.010 THREE PLACE DECIMAL: 0.005 PRINTED GRAPHICS: 1.005		PART NO. WC-25*1508							
PROPERTY AND CONFIDENTIAL THE INFORMATION CONTAINED IN THIS DRAWING IS THE SOLE PROPERTY OF POLYCASE. ANY REPRODUCTION IN PART OR AS A WHOLE WITHOUT THE WRITTEN PERMISSION OF POLYCASE IS PROHIBITED. CAP FILE: WC-25*1508		MATERIAL UL94-HB							
REV.	DESCRIPTION	ZONE	BY	APPR'D	DATE	FLAME RATING UL94-HB	SIZE D	WC UNIT, W/MTC BOSSES, W/GASKET, LIGHT GRAY BASE, CLEAR COVER	REV
	REVISIONS					DRAWN D.M.F.	DATE 7/18/2011		
						CHECKED C.C.B.	DATE 8/9/2011	SCALE: 1:1	SHEET 1 OF 1

		TOLERANCE CHART															
DIMENSION RANGE		0	.039	.118	.236	.394	.591	.866	1.181	1.575	2.087	2.756	3.543	4.724	6.299	7.874	
TOOL DEPENDENT		±.007	±.007	±.008	±.008	±.009	±.010	±.011	±.012	±.013	±.015	±.017	±.020	±.024	±.028	±.035	
NON-TOOL DEPENDENT		±.003	±.004	±.004	±.004	±.005	±.006	±.007	±.008	±.009	±.011	±.013	±.016	±.020	±.024	±.031	

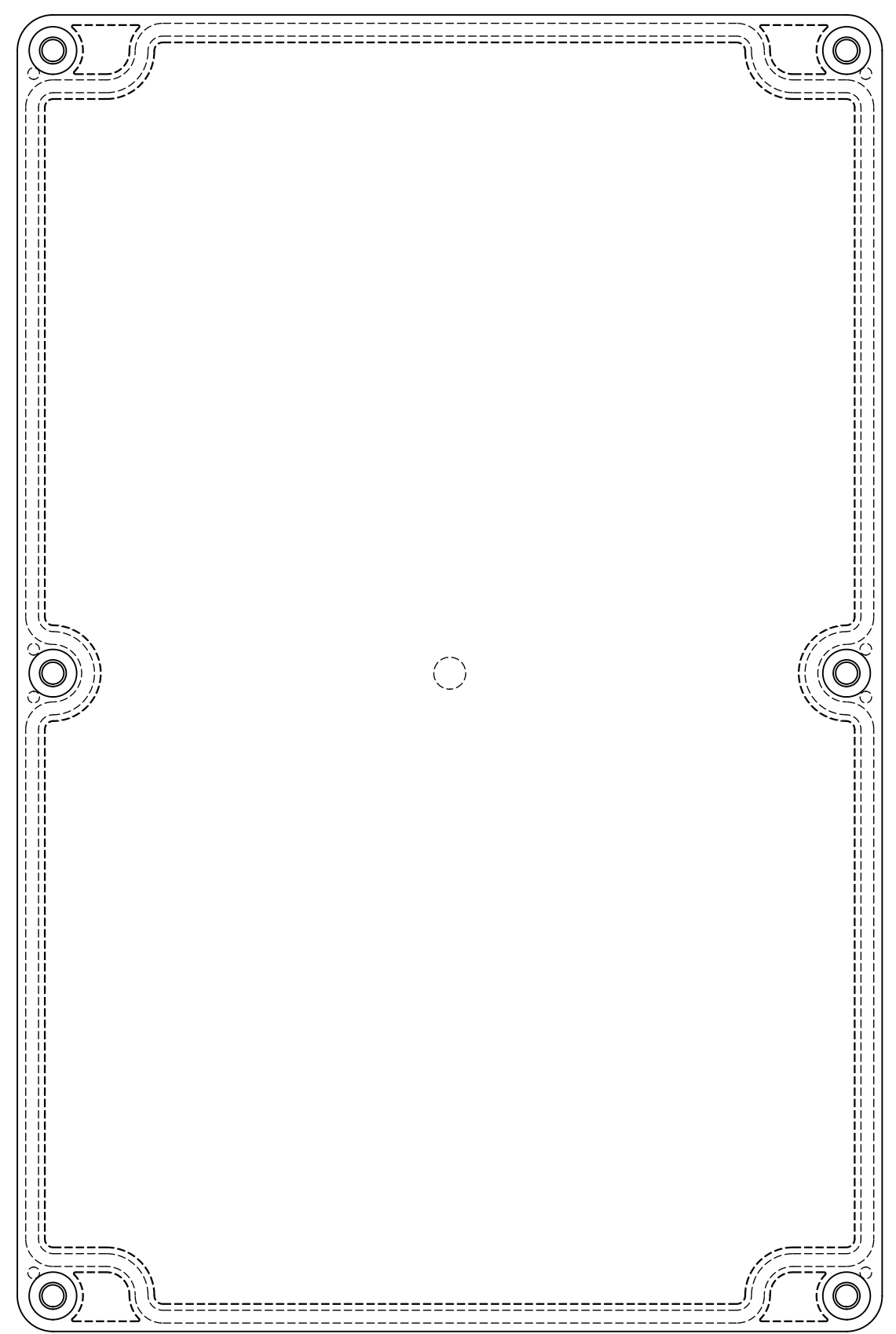
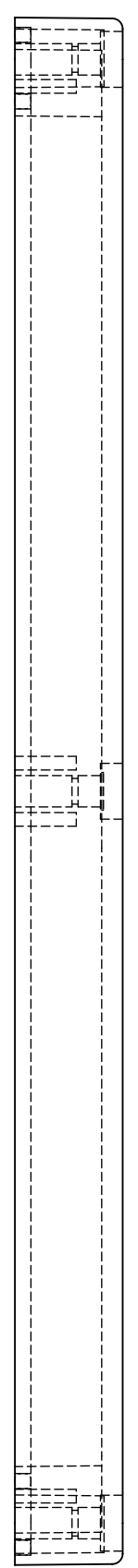
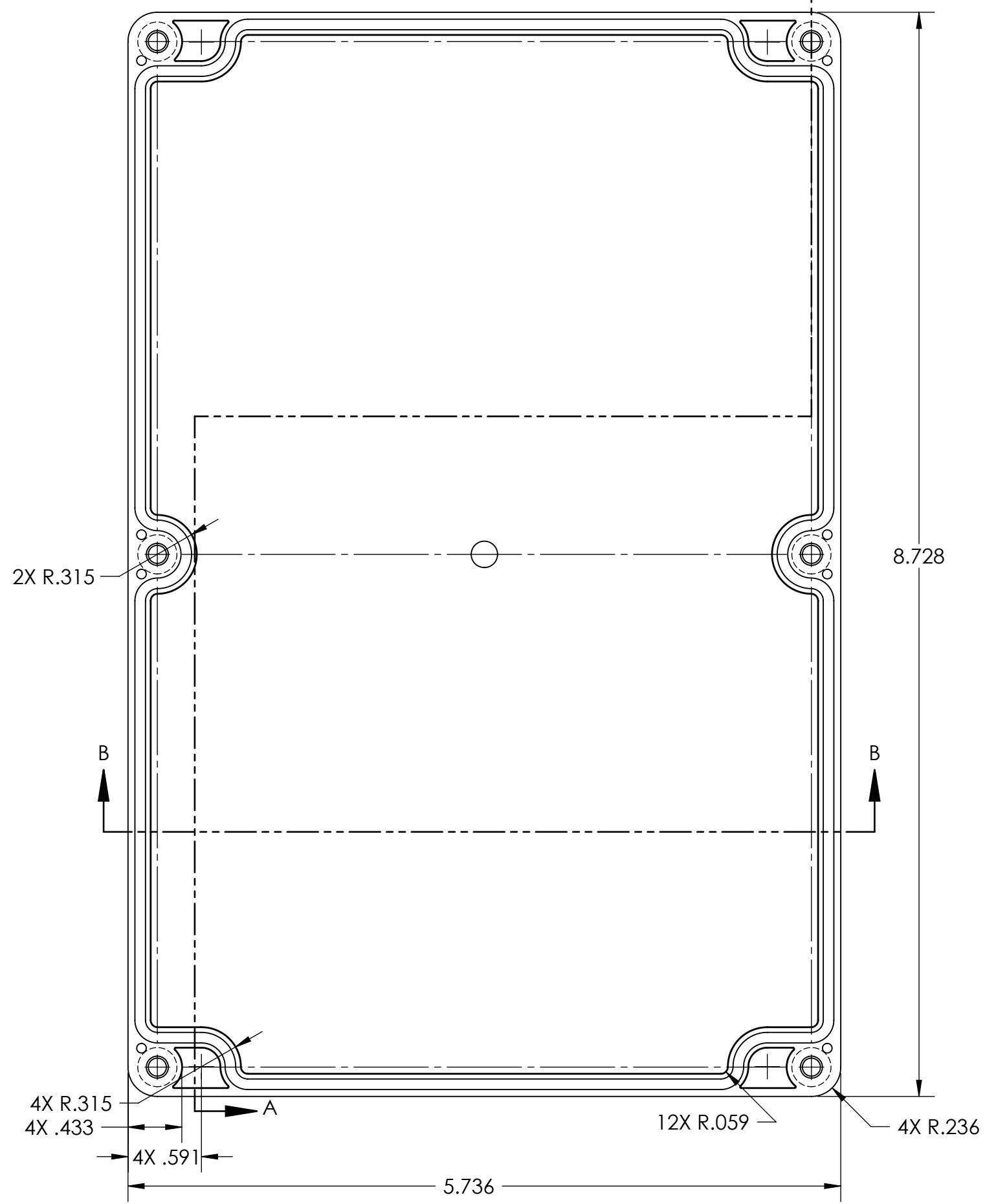
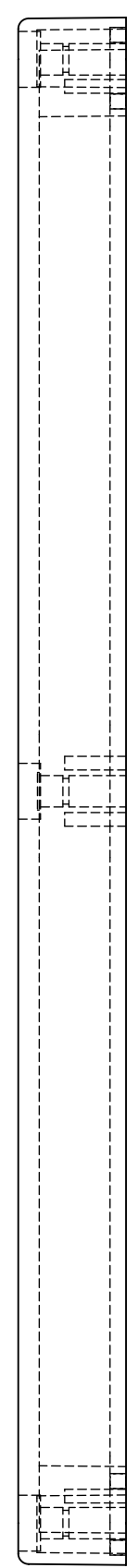
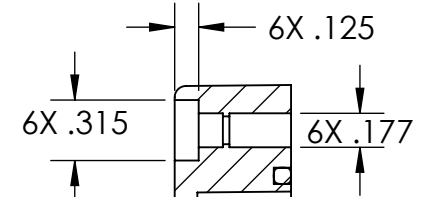


- NOTES:  
1. COLOR: LIGHT GRAY  
2. SEE SOLID MODEL FOR COMPLETE PART DEFINITION.

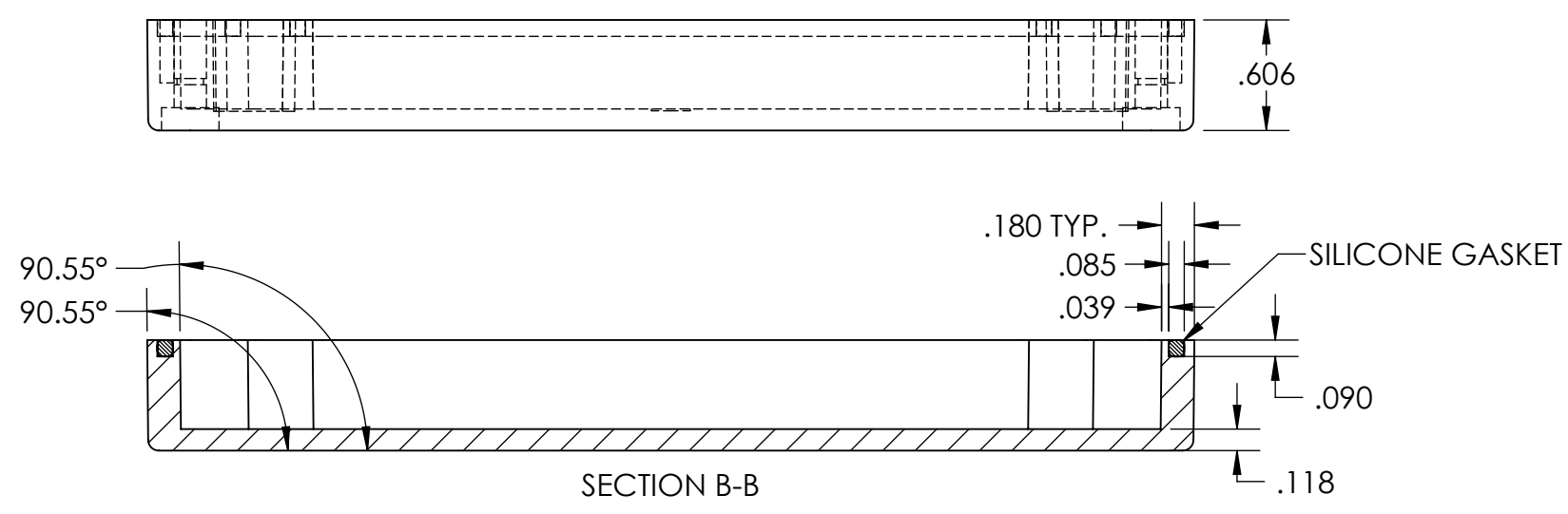
UNLESS OTHERWISE SPECIFIED: DIMENSIONS ARE IN: INCHES[mm] TOLERANCES: ANGULAR: ±2° TWO PLACE DECIMAL: ± THREE PLACE DECIMAL: ± PRINTED GRAPHICS: ±.010	PART NO. WP-25B*15		SIZE C	WP BASE, W/MOUNTING BOSES	REV -
	MATERIAL POLYCARBONATE				
PROPRIETARY AND CONFIDENTIAL THE INFORMATION CONTAINED IN THIS DRAWING IS THE SOLE PROPERTY OF POLYCASE. ANY REPRODUCTION IN PART OR AS A WHOLE WITHOUT THE WRITTEN PERMISSION OF POLYCASE IS PROHIBITED. CAD FILE: WP-25B*15	FLAME RATING UL94-HB (UL FILE E41613)		NAME D.M.F.	DATE 7/18/2011	SCALE: 1:1
	DRAWN C.C.B.		CHECKED 8/9/2011		



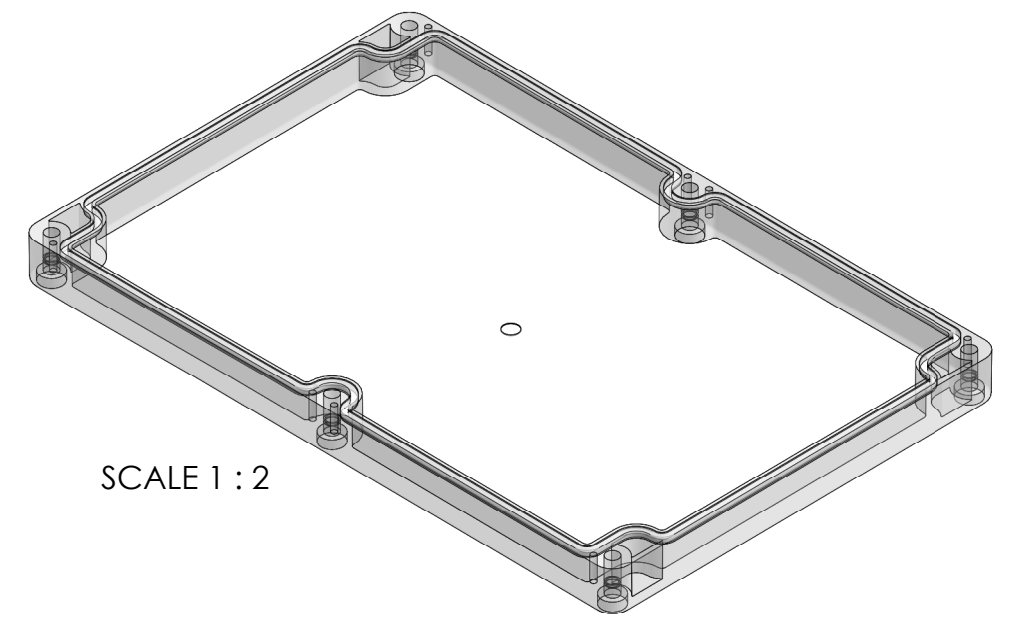
TOLERANCE CHART															
DIMENSION RANGE	0	.039	.118	.236	.394	.591	.866	1.181	1.575	2.087	2.756	3.543	4.724	6.299	7.874
TOOL DEPENDENT	±.007	±.007	±.008	±.008	±.009	±.010	±.011	±.012	±.013	±.015	±.017	±.020	±.024	±.028	±.035
NON-TOOL DEPENDENT	±.003	±.004	±.004	±.004	±.005	±.006	±.007	±.008	±.009	±.011	±.013	±.016	±.020	±.024	±.031



SECTION A-A

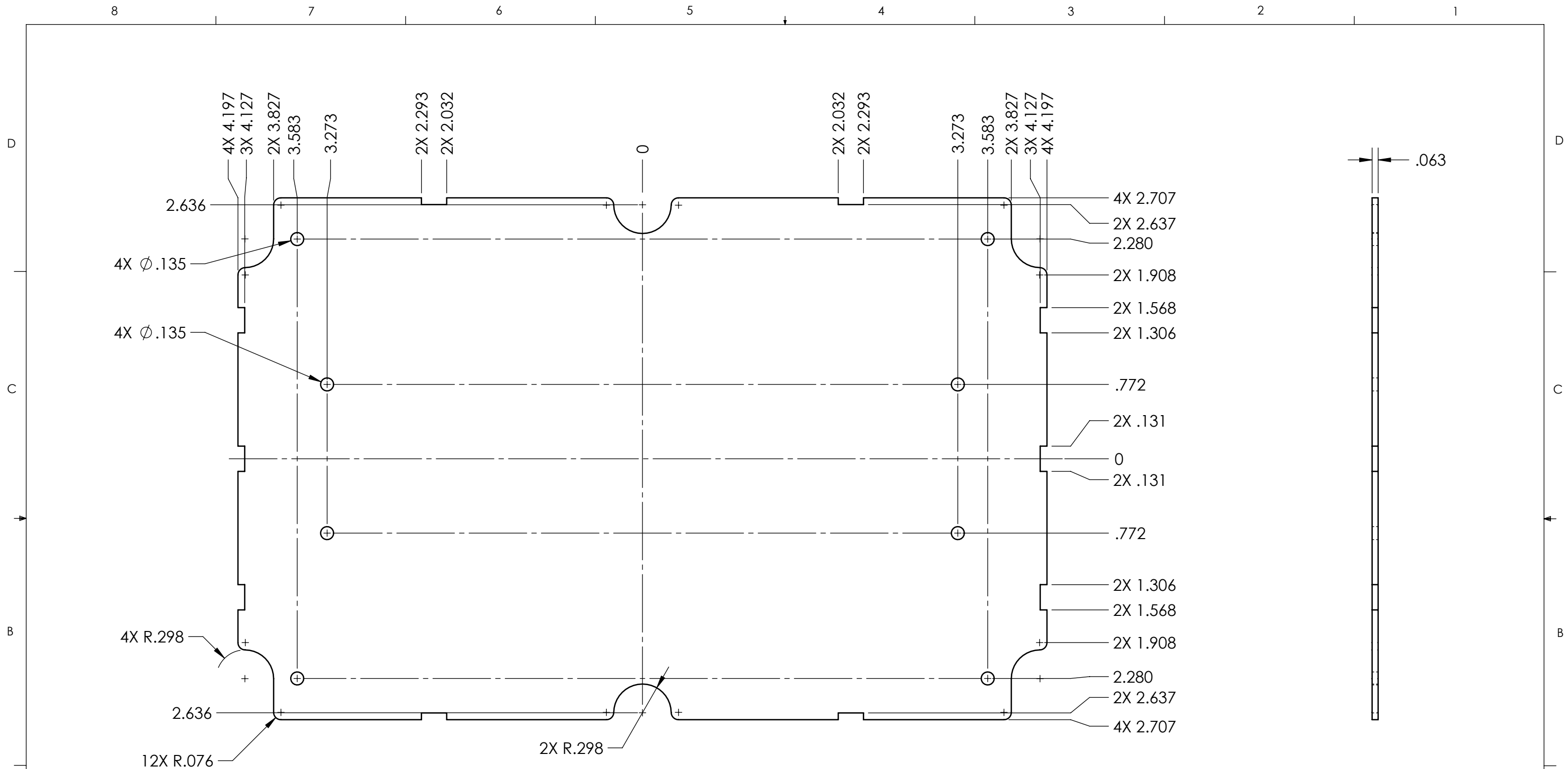


SECTION B-B




NOTES:  
 1. COLOR: CLEAR  
 2. SEE SOLID MODEL FOR COMPLETE PART DEFINITION.

UNLESS OTHERWISE SPECIFIED: DIMENSIONS ARE IN: INCHES[mm] TOLERANCES: ANGULAR: ±2° TWO PLACE DECIMAL: ± THREE PLACE DECIMAL: ± PRINTED GRAPHICS: ±.010	PART NO. WC-25C*08		 <small>1305 CHESTER RD. PARKWAY AVON, OHIO 44011-1083 U.S.A.          PH: 1-800-248-1233 440-934-0044 FAX: 440-934-0088</small>						
	MATERIAL POLYCARBONATE								
	FLAME RATING UL94-HB (UL FILE E41613)	SIZE C		WC COVER, W/GASKET					
PROPRIETARY AND CONFIDENTIAL THE INFORMATION CONTAINED IN THIS DRAWING IS THE SOLE PROPERTY OF POLYCASE. ANY REPRODUCTION IN PART OR AS A WHOLE WITHOUT THE WRITTEN PERMISSION OF POLYCASE IS PROHIBITED. CAD FILE: WC-25C*08	NAME D.M.F.	DATE 7/18/2011	REV -						
REVISIONS	DESCRIPTION	ZONE	BY	APPR'D	DATE	DRAWN C.C.B.	CHECKED 8/8/2011	SCALE: 1:1	SHEET 1 OF 1



NOTES:  
 1. INCLUDES .030 CLEARANCE FROM INTERIOR OF WA-25B\*16.

UNLESS OTHERWISE SPECIFIED: DIMENSIONS ARE IN: INCHES[mm] TOLERANCES: ANGULAR: ±2° TWO PLACE DECIMAL: ±.010 THREE PLACE DECIMAL: ±.005 PRINTED GRAPHICS: ±.010	PART NO. WP-25B*15-PCB		 <small>1305 CHESTER IND. PARKWAY AVON, OHIO 44011-1083 U.S.A.        PH#: 1-800-248-1233, 440-934-0444 FAX#: 440-934-0088</small>
	MATERIAL		
PROPRIETARY AND CONFIDENTIAL THE INFORMATION CONTAINED IN THIS DRAWING IS THE SOLE PROPERTY OF POLYCASE. ANY REPRODUCTION IN PART OR AS A WHOLE WITHOUT THE WRITTEN PERMISSION OF POLYCASE IS PROHIBITED. CAD FILE: WP-25B+15-PCB	FLAME RATING	SIZE <b>B</b>	PCB TEMPLATE FOR WP-25B*15
	DRAWN C.C.B.	NAME D.M.F.	DATE 7/18/2011
REVISIONS		CHECKED C.C.B.	DATE 8/9/2011
		SCALE: 1:1	SHEET 1 OF 1

REV.	DESCRIPTION	ZONE	BY	APPR'D	DATE