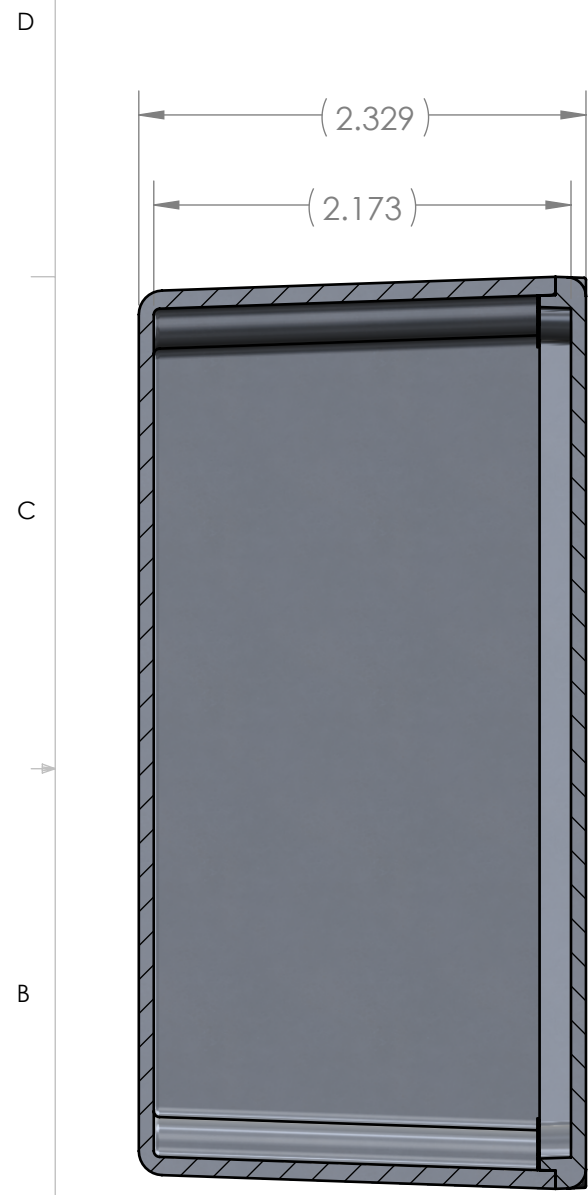
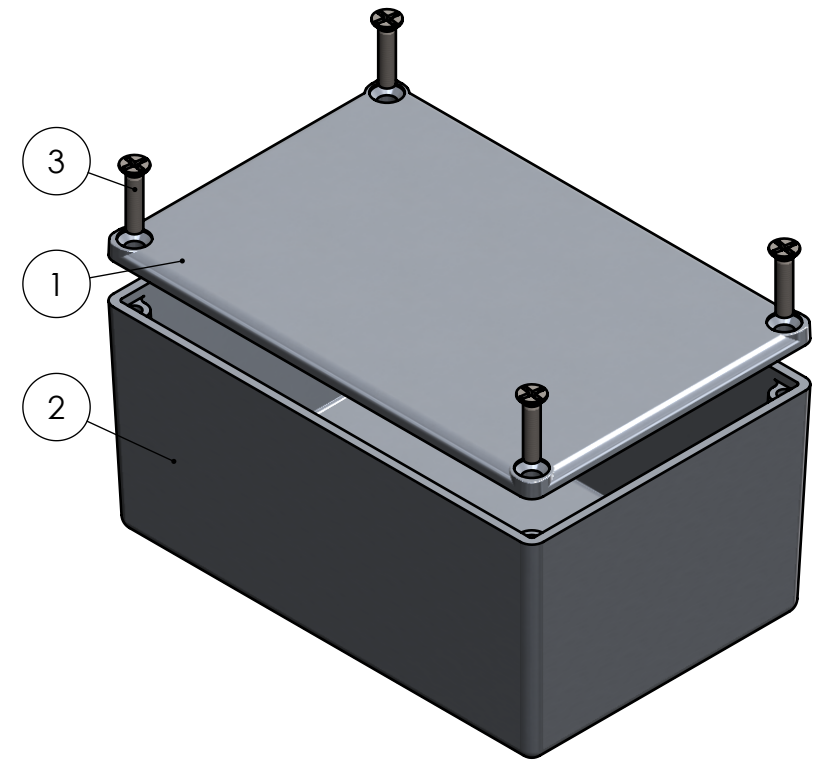
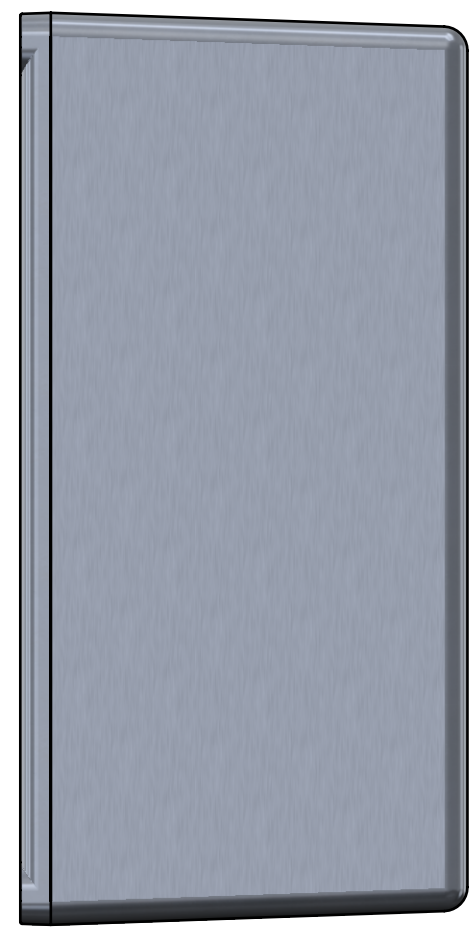
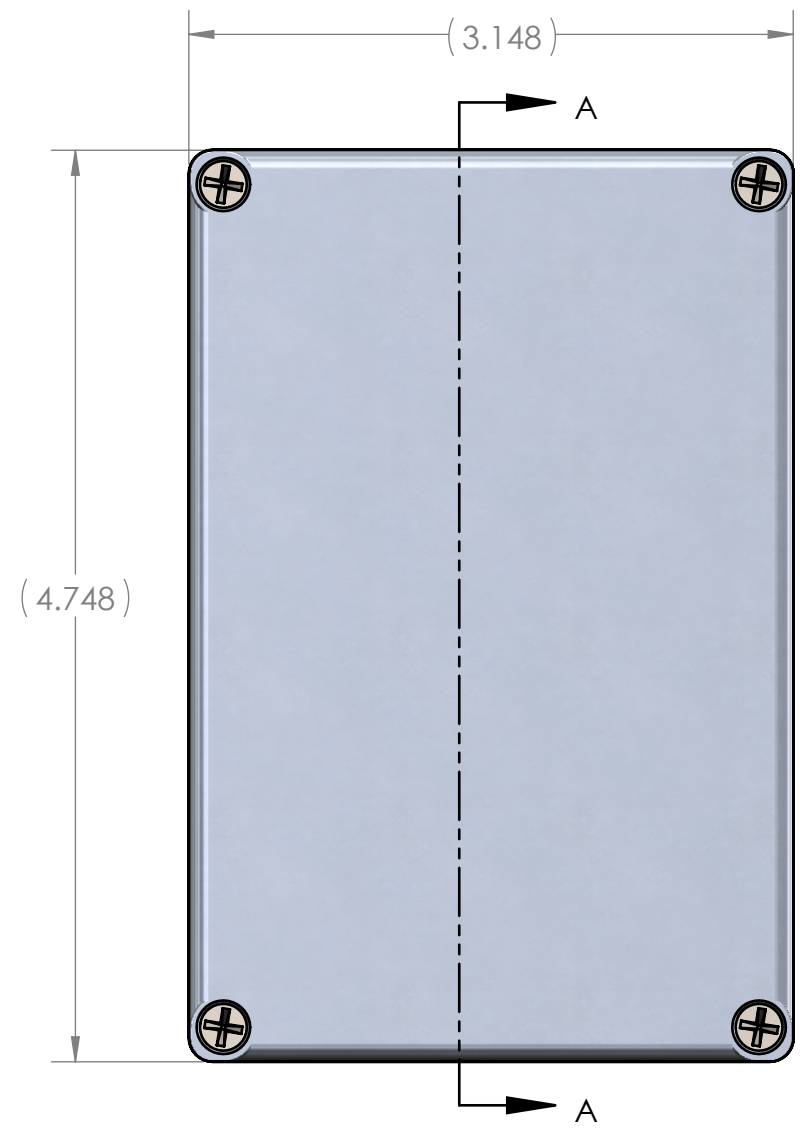


8 7 6 5 4 3 2 1

BOM Table						
ITEM NO.	PART NUMBER	Rev.	Description	Material	Color	QTY.
1	AL-72C-01	-	Die Cast Aluminum Cover	ALUMINUM ADC12	NATURAL	1
2	AL-72BP-01	-	Die Cast Aluminum Base	ALUMINUM ADC12	NATURAL	1
3	SCREWS-045		#6-32 X .625 TRILOBE, CROSS, FHMS	ZINC STEEL		4



SECTION A-A

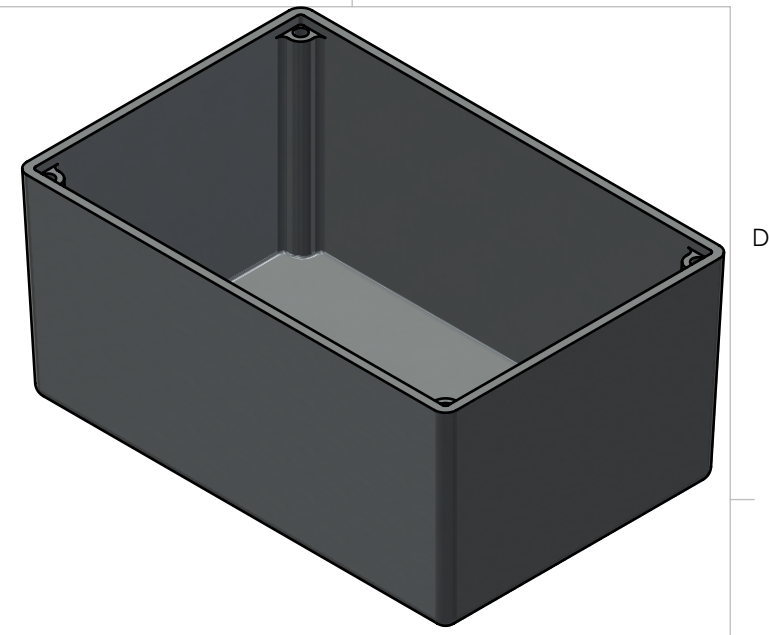
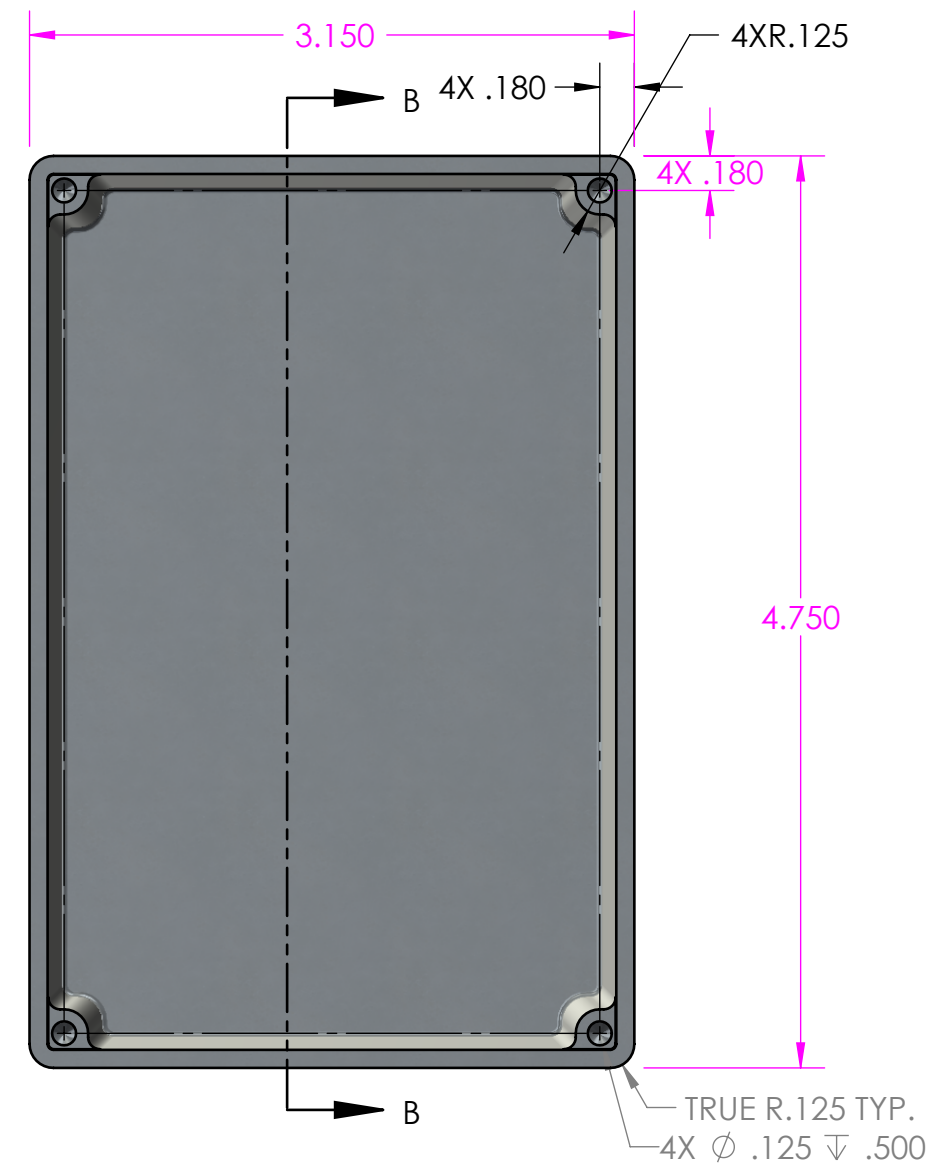
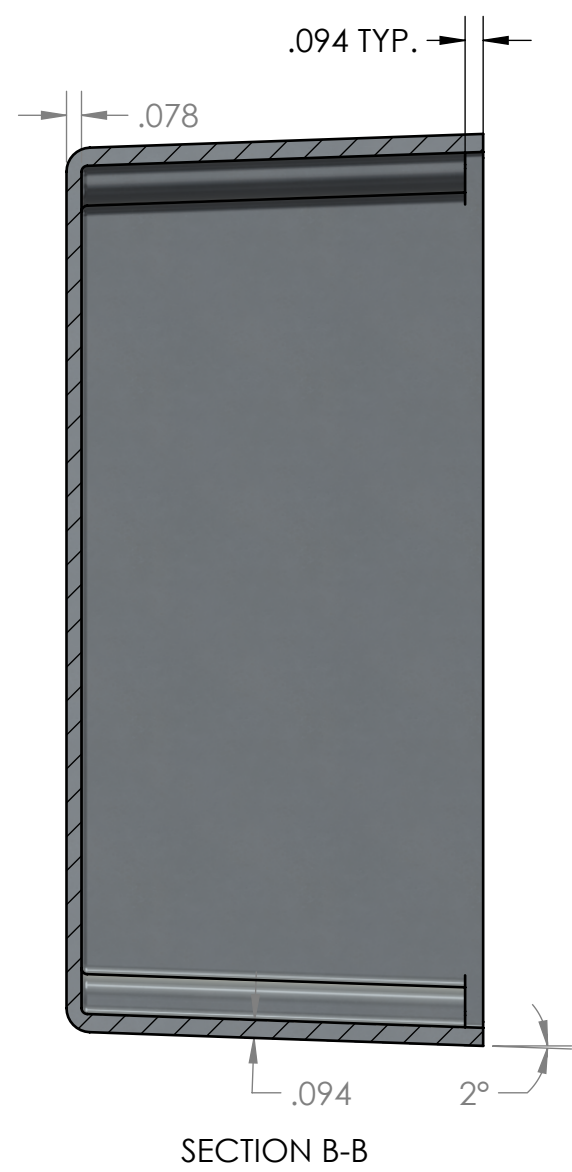


UNLESS OTHERWISE SPECIFIED: DIMENSIONS ARE IN: INCHES[mm] TOLERANCES: ANGULAR: ±° TWO PLACE DECIMAL: ± THREE PLACE DECIMAL: ± PRINTED GRAPHICS: ±	PART NO. AL-72P-01		 <small>1305 CHESTER IND. PARKWAY AVON, OHIO 44011-1083 U.S.A. PH#: 1-800-248-1233, 440-934-0444 FAX#: 440-934-0088</small>																				
	MATERIAL																						
PROPRIETARY AND CONFIDENTIAL THE INFORMATION CONTAINED IN THIS DRAWING IS THE SOLE PROPERTY OF POLYCASE. ANY REPRODUCTION IN PART OR AS A WHOLE WITHOUT THE WRITTEN PERMISSION OF POLYCASE IS PROHIBITED. CAD FILE: AL-72	FLAME RATING	SIZE B	Die Cast Aluminum Enclosure																				
	<table border="1"> <tr> <th>REV.</th> <th>DESCRIPTION</th> <th>ZONE</th> <th>BY</th> <th>APPR'D</th> <th>DATE</th> </tr> <tr> <td colspan="6" style="text-align: center;">REVISIONS</td> </tr> </table>	REV.	DESCRIPTION	ZONE	BY	APPR'D	DATE	REVISIONS						<table border="1"> <tr> <th>NAME</th> <th>DATE</th> </tr> <tr> <td>D.M.F.</td> <td>12/4/2017</td> </tr> <tr> <th>CHECKED</th> <td>C.C.B.</td> </tr> <tr> <td></td> <td>12/21/2017</td> </tr> </table>	NAME	DATE	D.M.F.	12/4/2017	CHECKED	C.C.B.		12/21/2017	SCALE: 1:1
REV.	DESCRIPTION	ZONE	BY	APPR'D	DATE																		
REVISIONS																							
NAME	DATE																						
D.M.F.	12/4/2017																						
CHECKED	C.C.B.																						
	12/21/2017																						
			SHEET 1 OF 1																				

8 7 6 5 4 3 2 1

8 7 6 5 4 3 2 1

D
C
B
A



PART NUMBER: AL-72BP-01
MATERIAL: ALUMINUM ADC12
COLOR: NATURAL

UNLESS OTHERWISE SPECIFIED:
DIMENSIONS ARE IN: INCHES[mm]
TOLERANCES: ANGULAR: \pm .5°
TWO PLACE DECIMAL: \pm .01
THREE PLACE DECIMAL: \pm .001
PRINTED GRAPHICS: \pm .005

PROPRIETARY AND CONFIDENTIAL
THE INFORMATION CONTAINED IN THIS
DRAWING IS THE SOLE PROPERTY OF
POLYCASE. ANY REPRODUCTION IN PART
OR AS A WHOLE WITHOUT THE WRITTEN
PERMISSION OF POLYCASE IS PROHIBITED.
CAD FILE: AL-72BP

PART NO. AL-72BP-01		
MATERIAL ALUMINUM ADC12		
FLAME RATING		
DRAWN	NAME	DATE
CHECKED	C.C.B.	12/21/2017

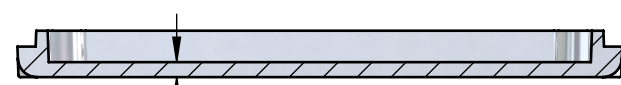
polycase
1305 CHESTER IND. PARKWAY AVON, OHIO 44011-1083 U.S.A.
PH#: 1-800-248-1233, 440-934-0444 FAX#: 440-934-0088

SIZE B	Die Cast Aluminum Base	REV -
SCALE: 1:1	SHEET 1 OF 1	

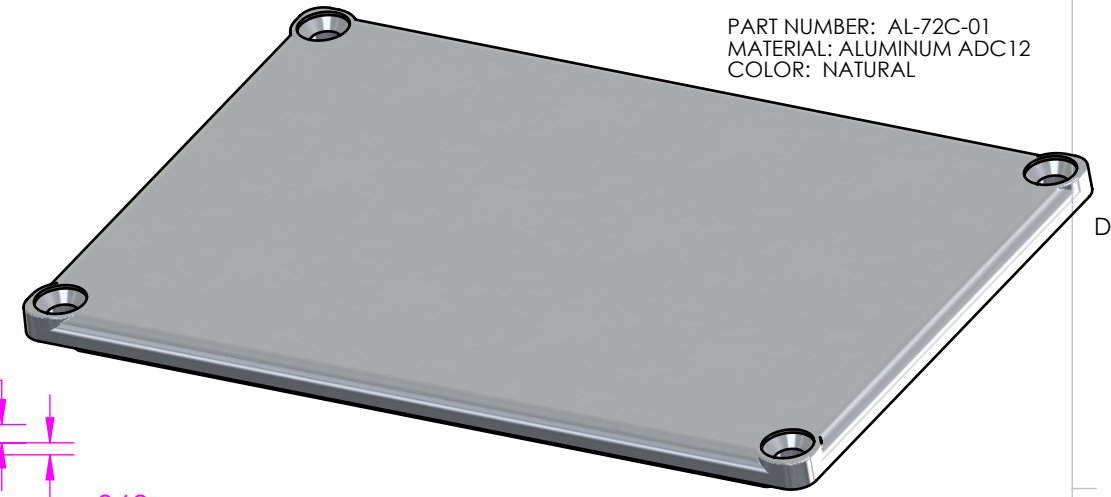
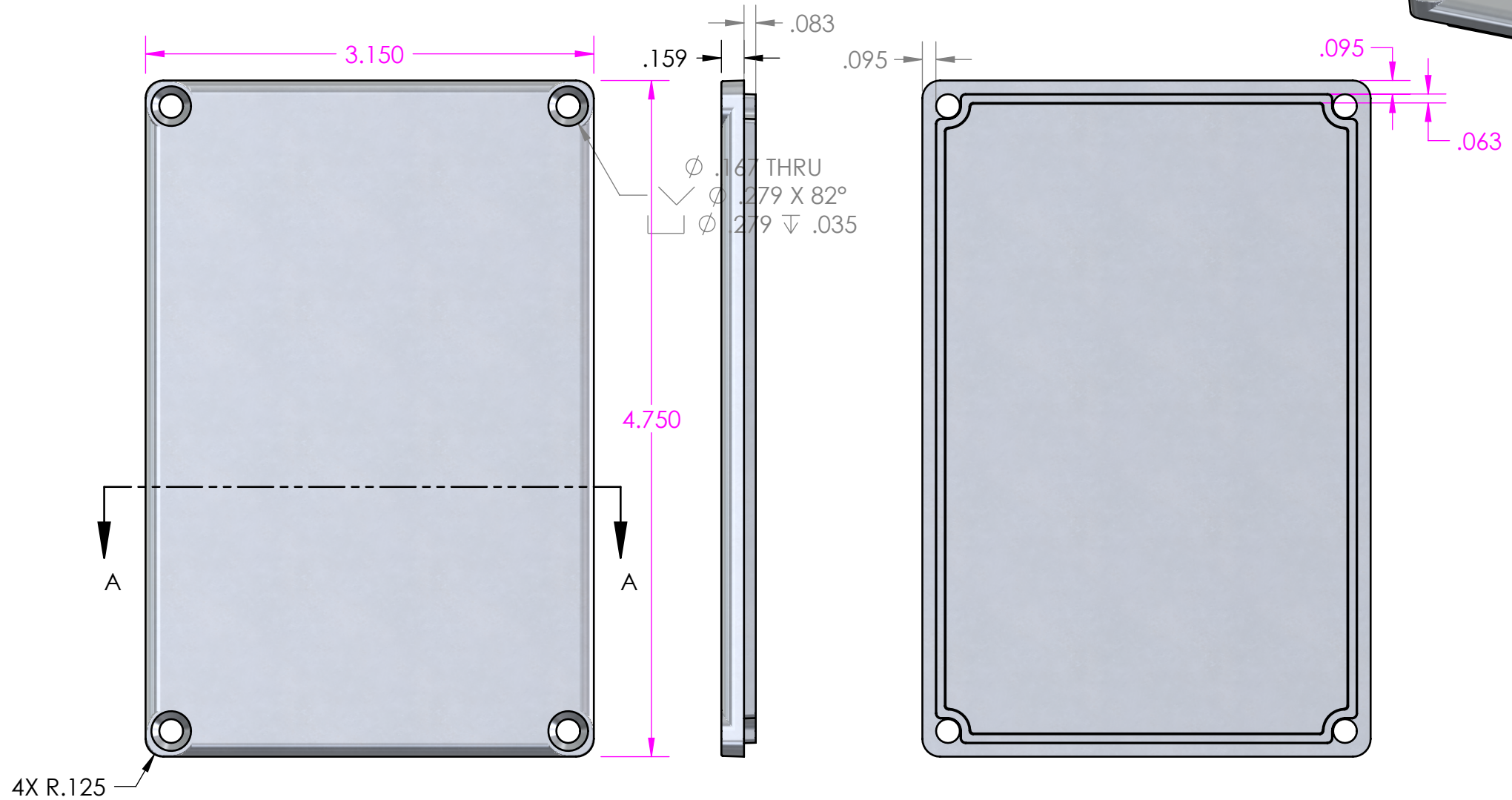
REV.	DESCRIPTION	ZONE	BY	APPR'D	DATE
	REVISIONS				

8 7 6 5 4 3 2 1

PART NUMBER: AL-72C-01
 MATERIAL: ALUMINUM ADC12
 COLOR: NATURAL



SECTION A-A



UNLESS OTHERWISE SPECIFIED:
 DIMENSIONS ARE IN: INCHES[mm]
 TOLERANCES: ANGULAR: ±.°
 TWO PLACE DECIMAL: ±.
 THREE PLACE DECIMAL: ±.
 PRINTED GRAPHICS: ±.

PROPRIETARY AND CONFIDENTIAL
 THE INFORMATION CONTAINED IN THIS
 DRAWING IS THE SOLE PROPERTY OF
 POLYCASE. ANY REPRODUCTION IN PART
 OR AS A WHOLE WITHOUT THE WRITTEN
 PERMISSION OF POLYCASE IS PROHIBITED.
 CAD FILE: AL-72C

PART NO.
 AL-72C-01
 MATERIAL
 ALUMINUM ADC12

FLAME RATING
 -
 DRAWN D.M.F. 11/30/2017
 CHECKED C.C.B. 12/21/2017

polycase
 1305 CHESTER IND. PARKWAY AVON, OHIO 44011-1083 U.S.A.
 PH#: 1-800-248-1233, 440-934-0444 FAX#: 440-934-0088

SIZE **B**
 Die Cast Aluminum Cover
 REV -
 SCALE: 1:1
 SHEET 1 OF 1

REV.	DESCRIPTION	ZONE	BY	APPR'D	DATE
	REVISIONS				