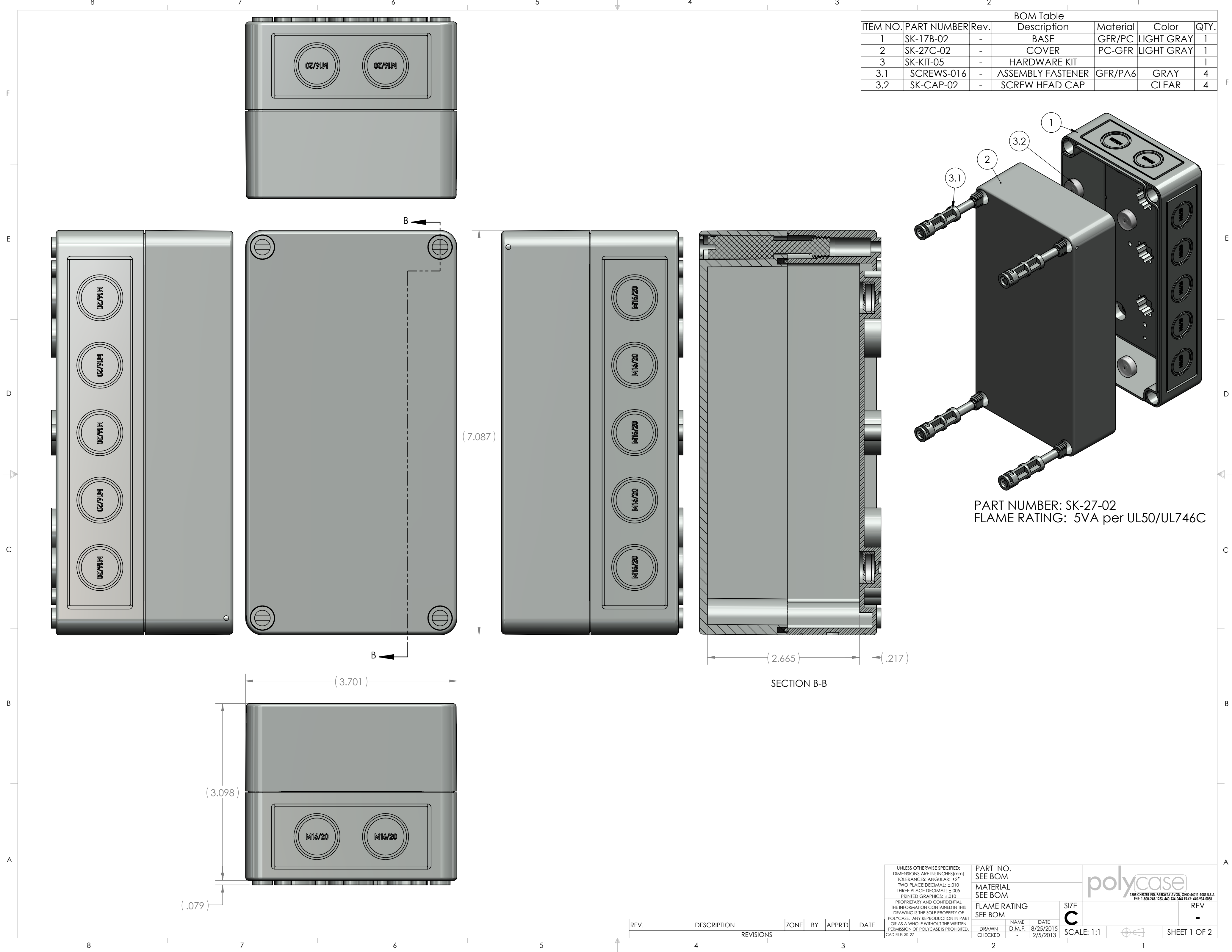


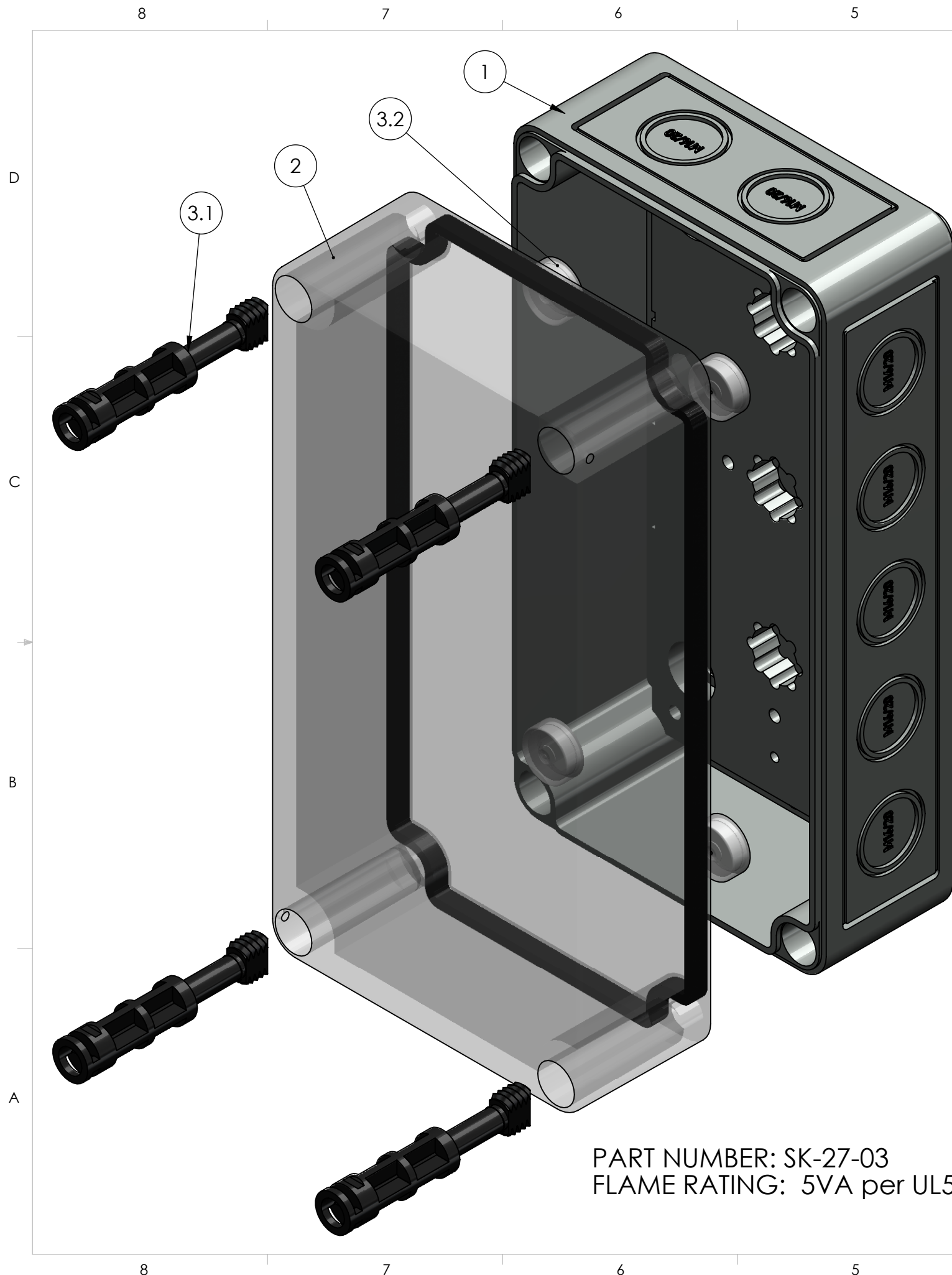
BOM Table						
ITEM NO.	PART NUMBER	Rev.	Description	Material	Color	QTY.
1	SK-17B-02	-	BASE	GFR/PC	LIGHT GRAY	1
2	SK-27C-02	-	COVER	PC-GFR	LIGHT GRAY	1
3	SK-KIT-05	-	HARDWARE KIT			1
3.1	SCREWS-016	-	ASSEMBLY FASTENER	GFR/PA6	GRAY	4
3.2	SK-CAP-02	-	SCREW HEAD CAP		CLEAR	4



PART NUMBER: SK-27-02  
 FLAME RATING: 5VA per UL50/UL746C



UNLESS OTHERWISE SPECIFIED: DIMENSIONS ARE IN: INCHES[mm] TOLERANCES: ANGULAR: ±2° TWO PLACE DECIMAL: ±.010 THREE PLACE DECIMAL: ±.005 PRINTED GRAPHICS: ±.010		PART NO. SEE BOM		 <small>1305 CHESTER RD. PARKWAY AVON, OHIO 44011-1083 U.S.A.        PH: 1-800-248-1233 440-934-0444 FAX: 440-934-0088</small>
PROPRIETARY AND CONFIDENTIAL THE INFORMATION CONTAINED IN THIS DRAWING IS THE SOLE PROPERTY OF POLYCASE. ANY REPRODUCTION IN PART OR AS A WHOLE WITHOUT THE WRITTEN PERMISSION OF POLYCASE IS PROHIBITED. CAD FILE: SK-27		MATERIAL SEE BOM		
DRAWN		NAME		SIZE
CHECKED		DATE		C
-		8/25/2015		SCALE: 1:1
-		2/5/2013		SHEET 1 OF 2

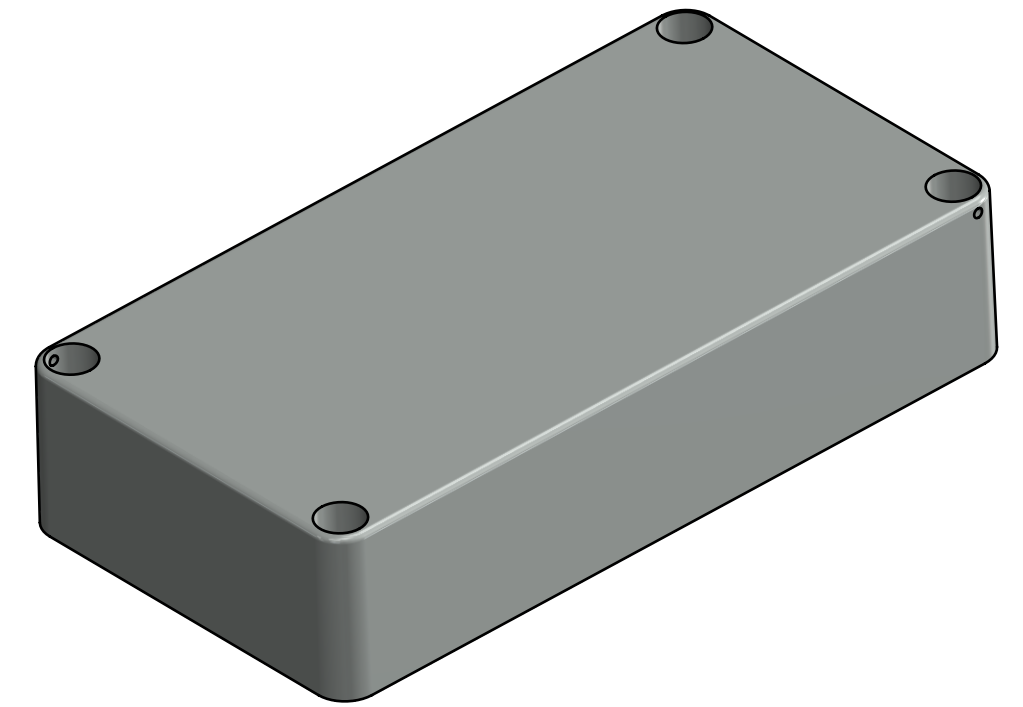
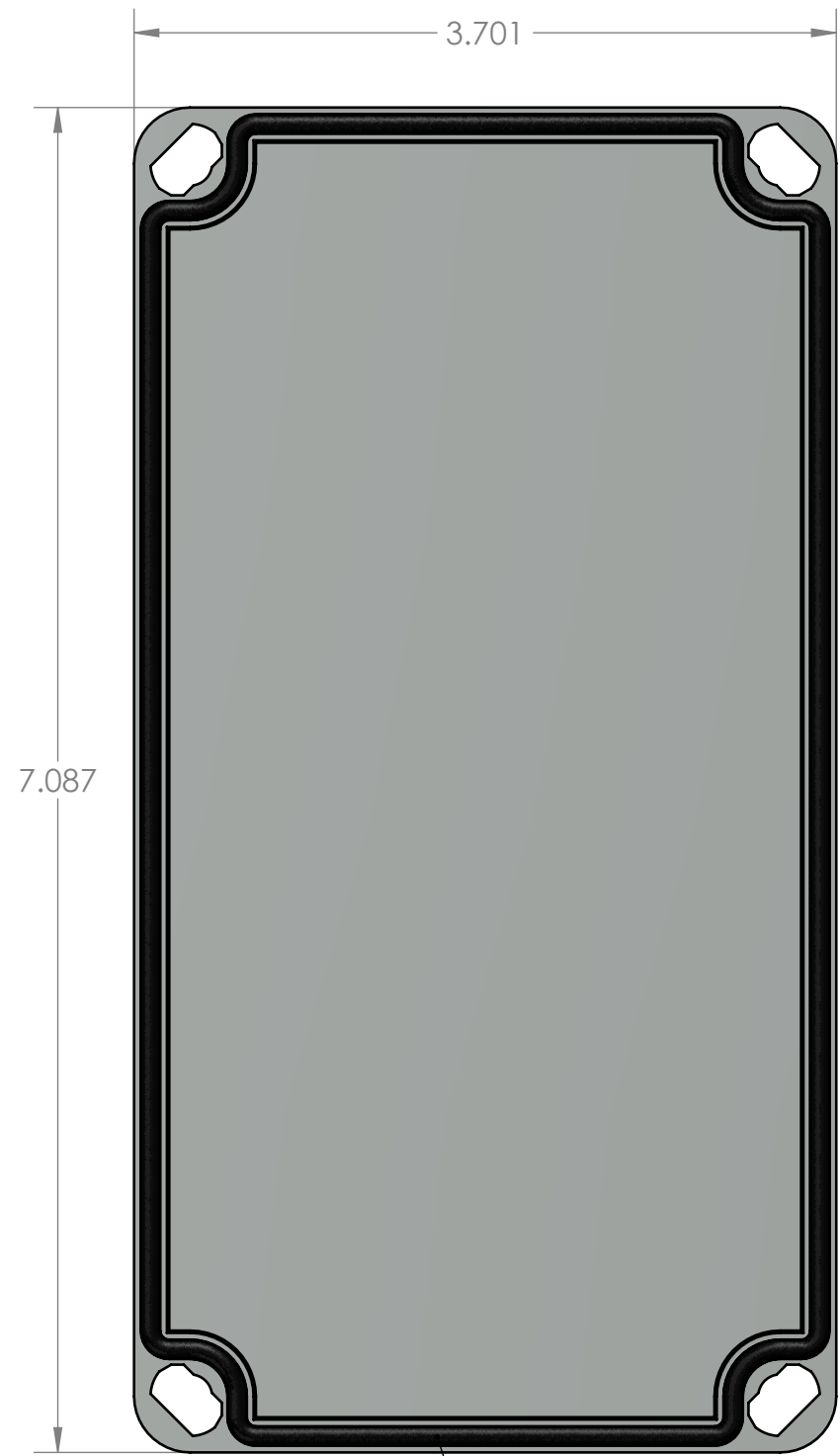
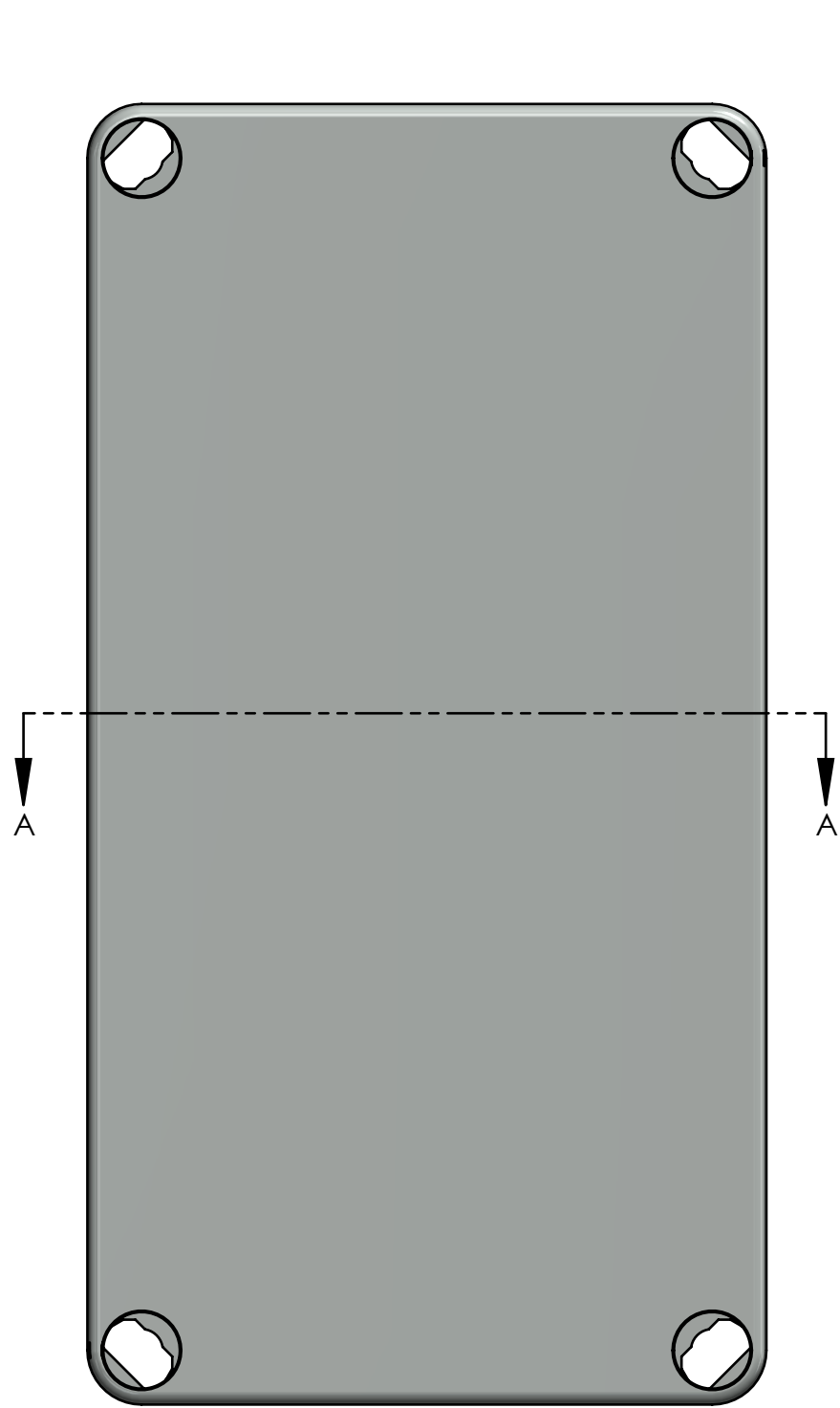
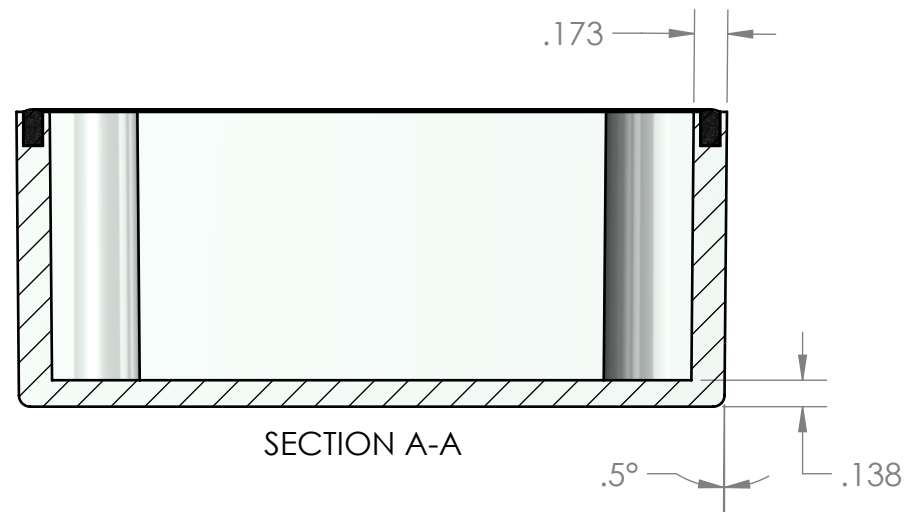
REV.	DESCRIPTION	ZONE	BY	APPR'D	DATE
REVISIONS					



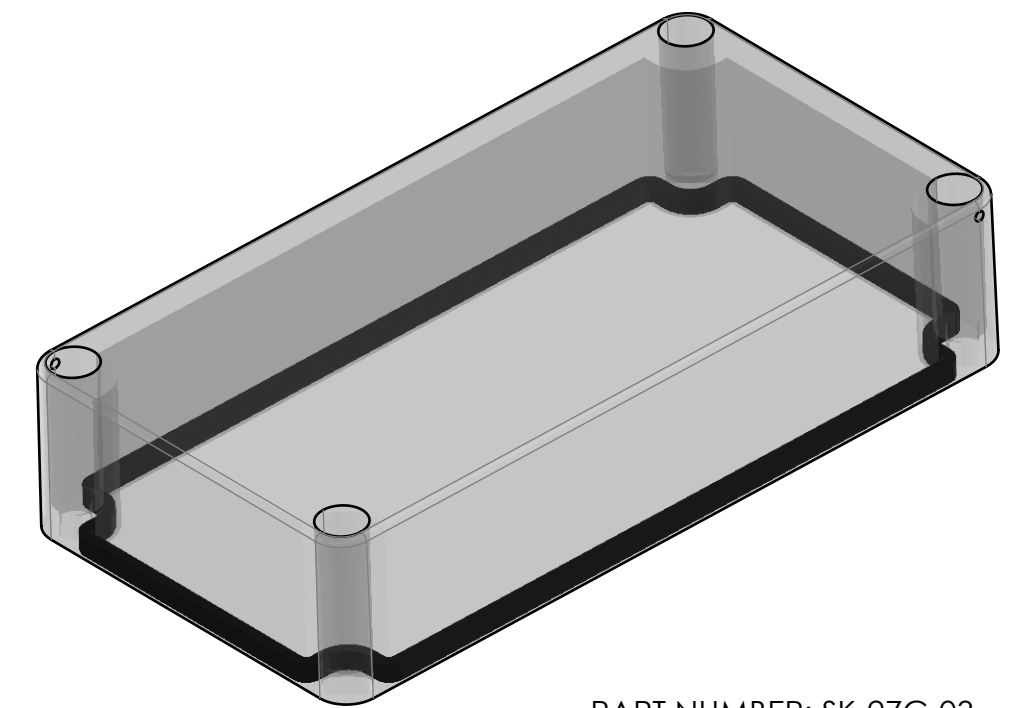
PART NUMBER: SK-27-03  
 FLAME RATING: 5VA per UL50/UL746C

BOM Table						
ITEM NO.	PART NUMBER	Rev.	Description	Material	Color	QTY.
1	SK-17B-02	-	BASE	GFR/PC	LIGHT GRAY	1
2	SK-27C-03	-	COVER	PC	CLEAR	1
3	SK-KIT-06	-	HARDWARE KIT			1
3.1	SCREWS-017	-	ASSEMBLY FASTENER	GFR/PA6	BLACK	4
3.2	SK-CAP-02	-	SCREW HEAD CAP		CLEAR	4

UNLESS OTHERWISE SPECIFIED: DIMENSIONS ARE IN: INCHES[mm] TOLERANCES: ANGULAR: ±2° TWO PLACE DECIMAL: ±.010 THREE PLACE DECIMAL: ±.005 PRINTED GRAPHICS: ±.010		PART NO. SEE BOM		 <small>1305 CHESTER IND. PARKWAY AVON, OHIO 44011-1083 U.S.A.          PH#: 1-800-248-1233, 440-934-0444 FAX#: 440-934-0088</small>	
PROPRIETARY AND CONFIDENTIAL THE INFORMATION CONTAINED IN THIS DRAWING IS THE SOLE PROPERTY OF POLYCASE. ANY REPRODUCTION IN PART OR AS A WHOLE WITHOUT THE WRITTEN PERMISSION OF POLYCASE IS PROHIBITED. CAD FILE: SK-27		MATERIAL SEE BOM			
FLAME RATING SEE BOM		SIZE <b>B</b>		REV -	
DRAWN CHECKED		NAME D.M.F.		DATE 8/25/2015 2/5/2013	
SCALE: 1:1		SHEET 2 OF 2			

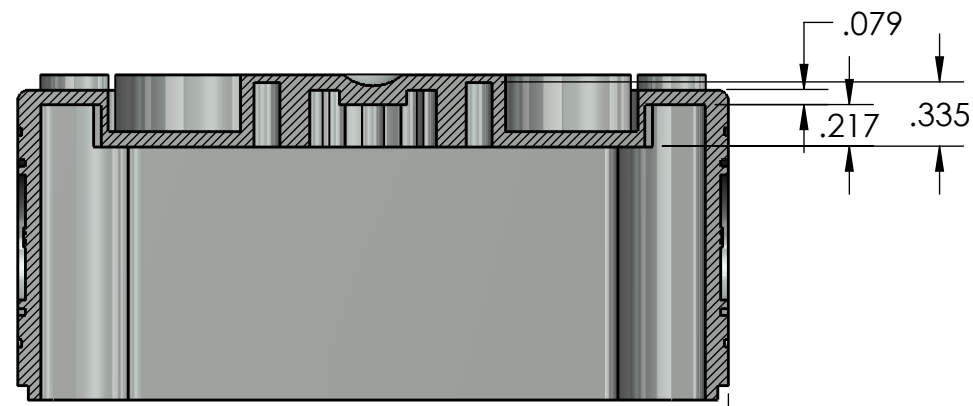


PART NUMBER: SK-27C-02  
 MATERIAL: PC-GFR  
 COLOR: LIGHT GRAY

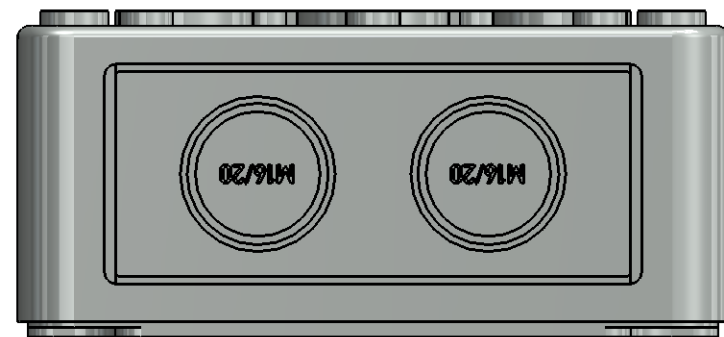


PART NUMBER: SK-27C-03  
 MATERIAL: PC  
 COLOR: CLEAR

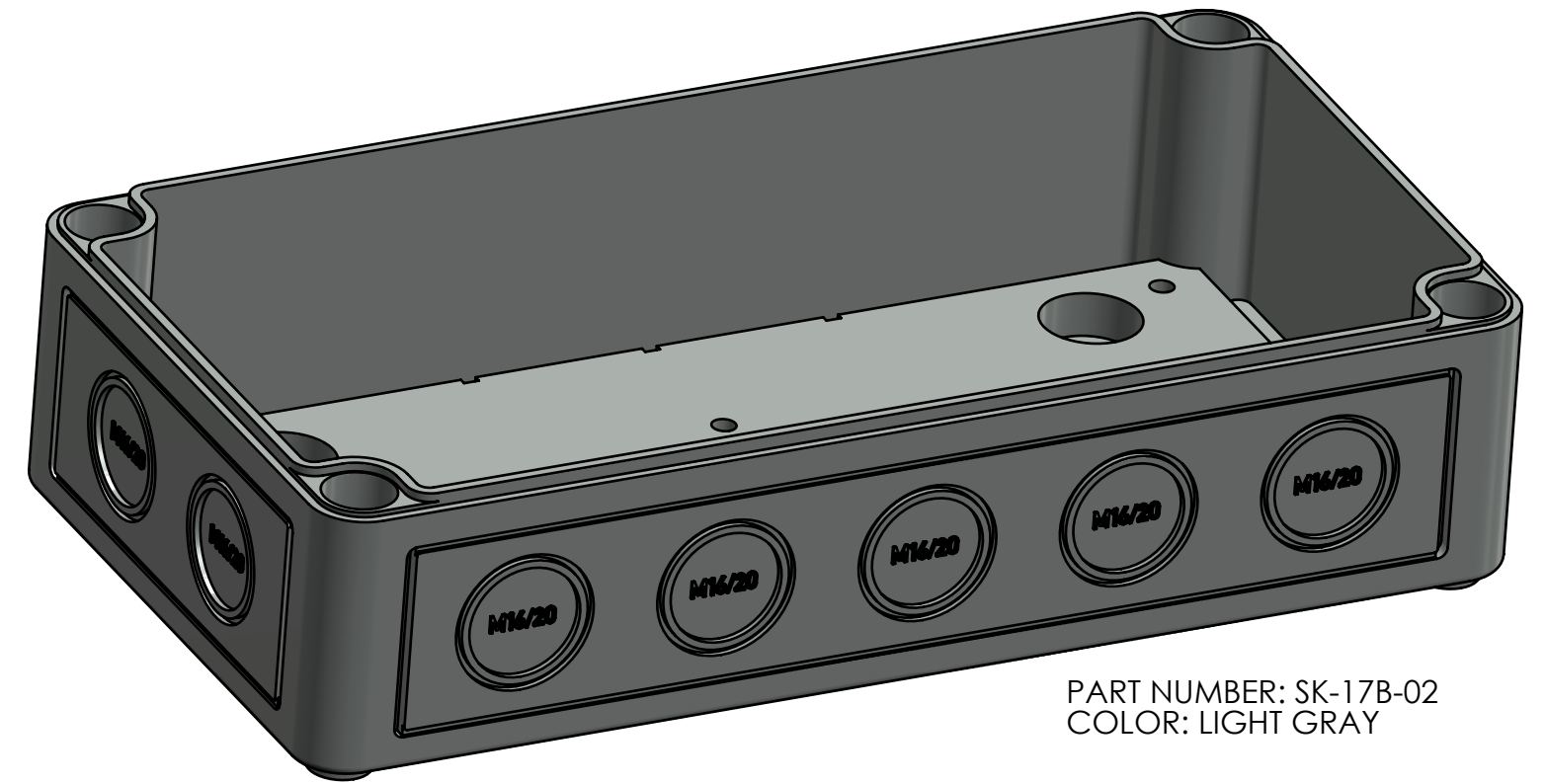
UNLESS OTHERWISE SPECIFIED: DIMENSIONS ARE IN: INCHES[mm] TOLERANCES: ANGULAR: ±2° TWO PLACE DECIMAL: ± THREE PLACE DECIMAL: ± PRINTED GRAPHICS: ±.010		PART NO. <b>SK-27C</b>		 <small>1305 CHESTER RD. PARKWAY AVON, OHIO 44011-1083 U.S.A.        PH: 1-800-248-1233 440-934-0444 FAX: 440-934-0088</small>	
PROPRIETARY AND CONFIDENTIAL THE INFORMATION CONTAINED IN THIS DRAWING IS THE SOLE PROPERTY OF POLYCASE. ANY REPRODUCTION IN PART OR AS A WHOLE WITHOUT THE WRITTEN PERMISSION OF POLYCASE IS PROHIBITED. CAD FILE: SK-27C		MATERIAL -			
REV.	DESCRIPTION	ZONE	BY	APPR'D	DATE
REVISIONS					
DRAWN CHECKED		NAME -	DATE 8/18/2015 12/31/2999	SCALE: 1:1	
COVER					REV -
SHEET 1 OF 1					



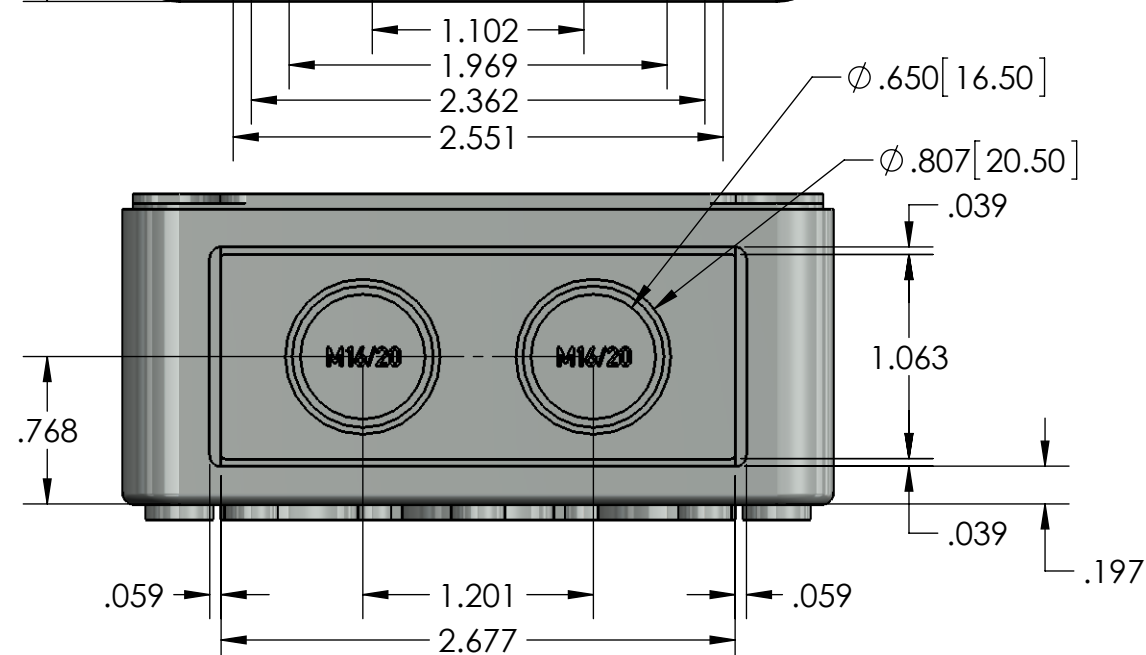
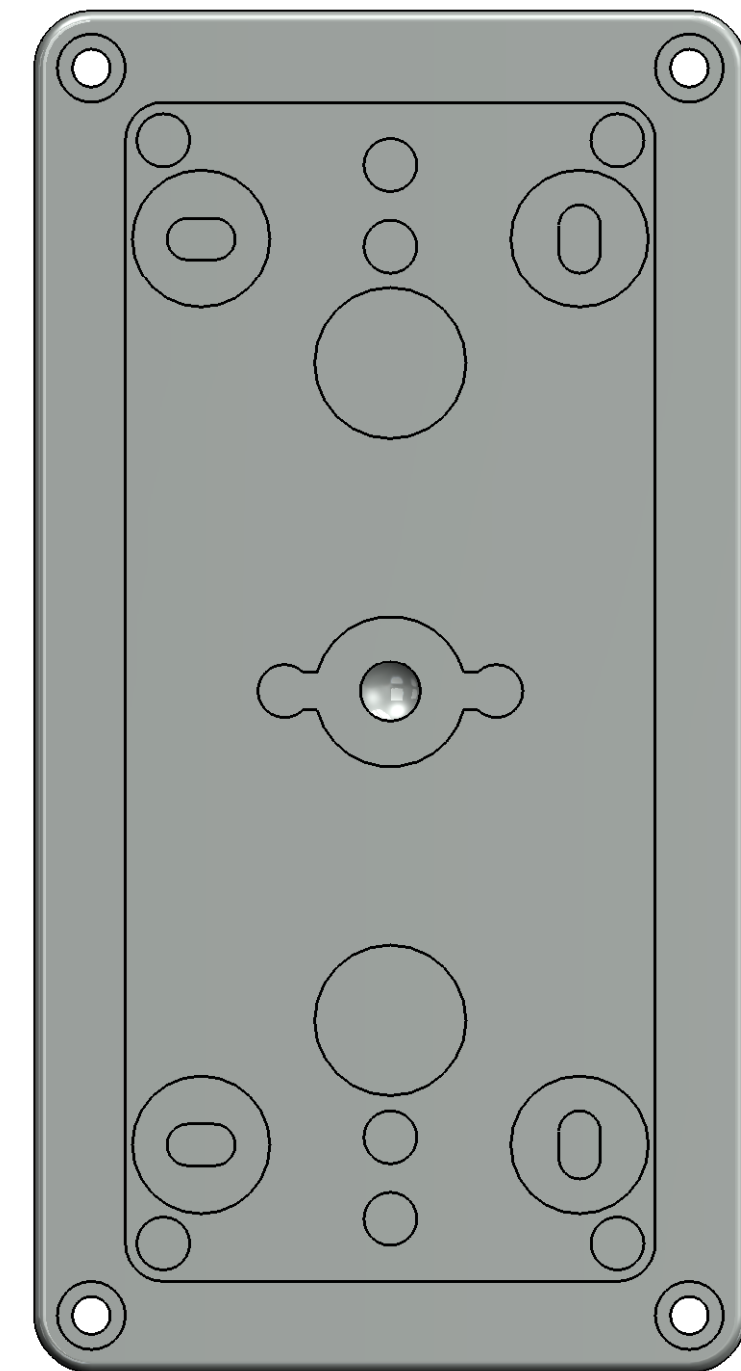
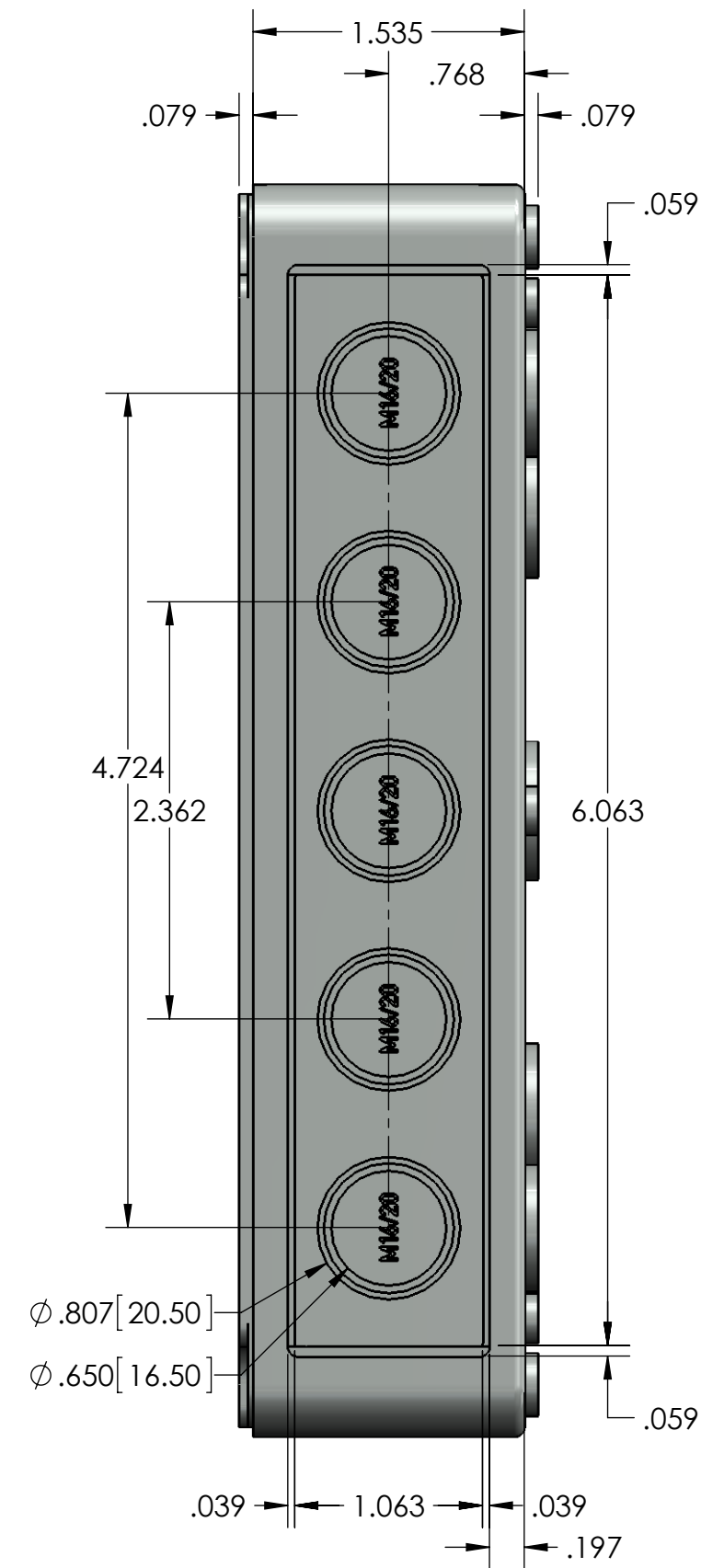
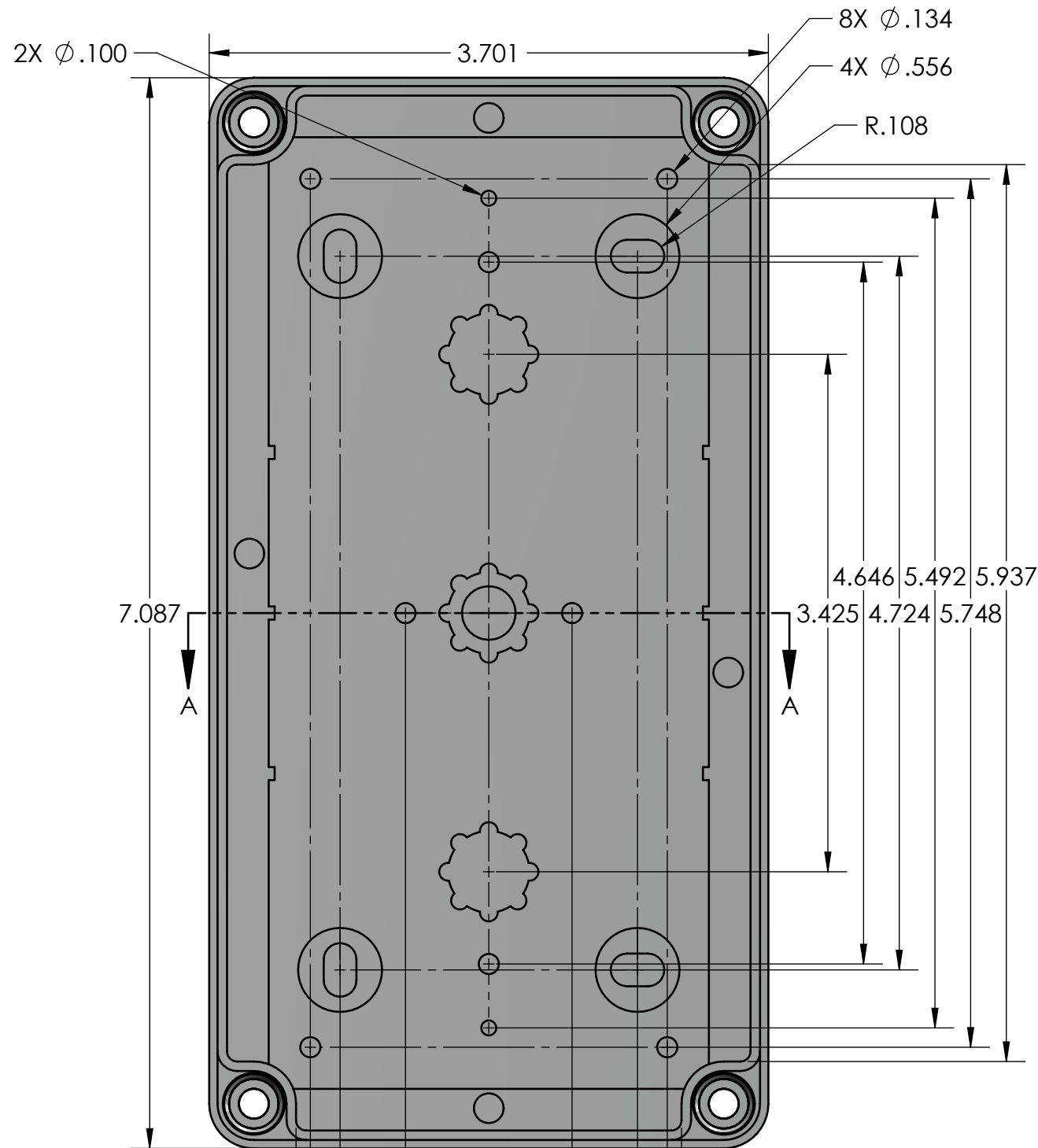
SECTION A-A



.118



PART NUMBER: SK-17B-02  
COLOR: LIGHT GRAY



UNLESS OTHERWISE SPECIFIED: DIMENSIONS ARE IN: INCHES[mm] TOLERANCES: ANGULAR: ±2° TWO PLACE DECIMAL: ±. THREE PLACE DECIMAL: ±. PRINTED GRAPHICS: ±.010		PART NO. SK-17B-02		 1303 CHESTER RD. PARKWAY AVON, OHIO 44011-1083 U.S.A. PH: 1-800-248-1233 440-934-0444 FAX: 440-934-0088								
PROPRIETARY AND CONFIDENTIAL THE INFORMATION CONTAINED IN THIS DRAWING IS THE SOLE PROPERTY OF POLYCASE. ANY REPRODUCTION IN PART OR AS A WHOLE WITHOUT THE WRITTEN PERMISSION OF POLYCASE IS PROHIBITED. CAD FILE: SK-17B		MATERIAL GFR/PC				FLAME RATING -	SIZE C					
REV.	DESCRIPTION	ZONE	BY	APPR'D	DATE	<table border="1"> <tr> <td>NAME</td> <td>DATE</td> </tr> <tr> <td>D.M.F.</td> <td>8/18/2015</td> </tr> <tr> <td>B.M.B.</td> <td>9/2/2015</td> </tr> </table>	NAME	DATE	D.M.F.	8/18/2015	B.M.B.	9/2/2015
NAME	DATE											
D.M.F.	8/18/2015											
B.M.B.	9/2/2015											
REVISIONS												
SCALE: 1:1												
SHEET 1 OF 1												