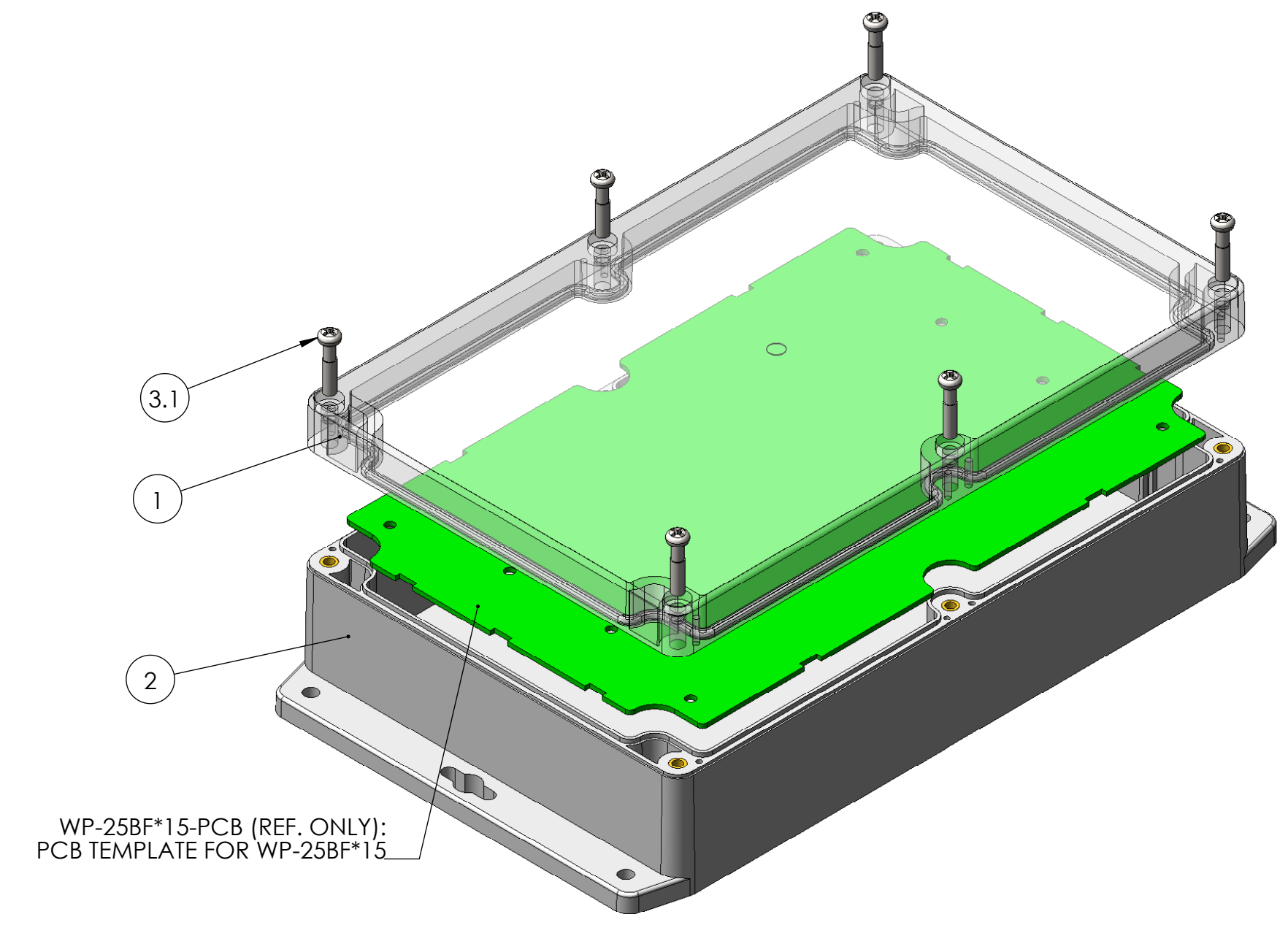


BOM Table							
ITEM NO.	PART NUMBER	Rev.	Description	Material	FlameRating	Color	QTY.
1	WC-25C*08	-	WC COVER, W/GASKET	POLYCARBONATE	UL94-HB (UL FILE E41613)	CLEAR	1
2	WP-25BF*15	-	WP BASE, W/PCB BOSSES, W/FLANGES	POLYCARBONATE	UL94-HB (UL FILE E41613)	LIGHT GRAY	1
3	SCREWS-SSM4-20-6	-	ASSEMBLY SCREWS, 6 PACK				1
3.1	SCREWS-SSM4-20	-	M4X0.7 X 20mm OAL, PHILLIPS DRIVE MACHINE SCREW	STAINLESS STEEL			6

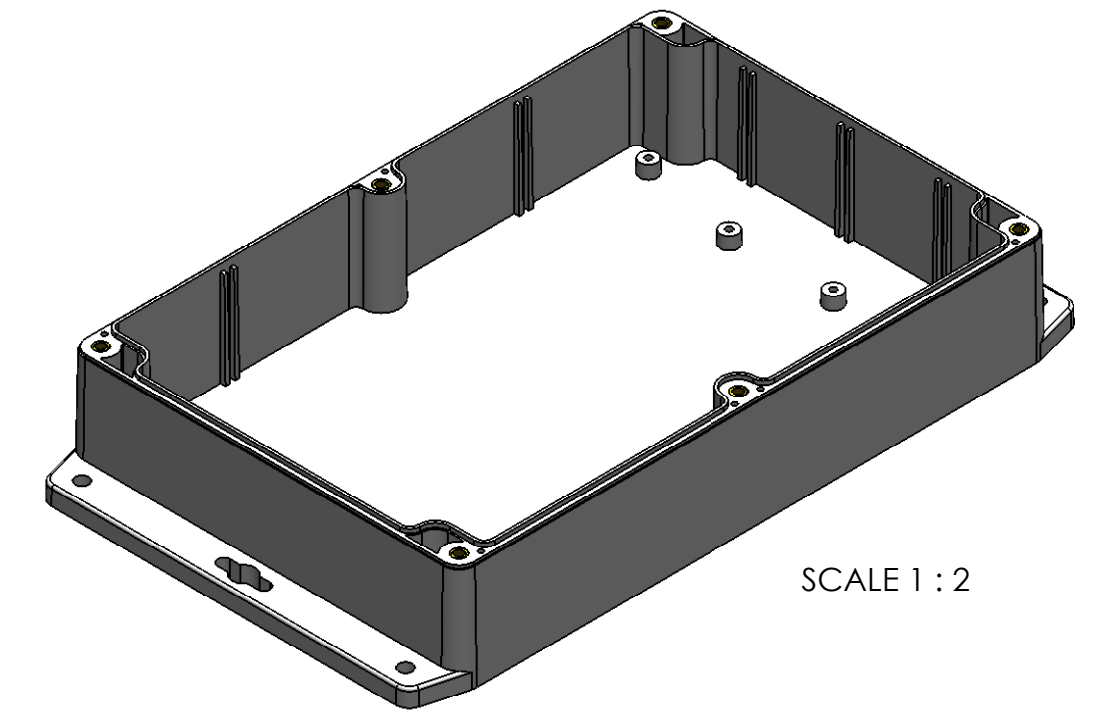
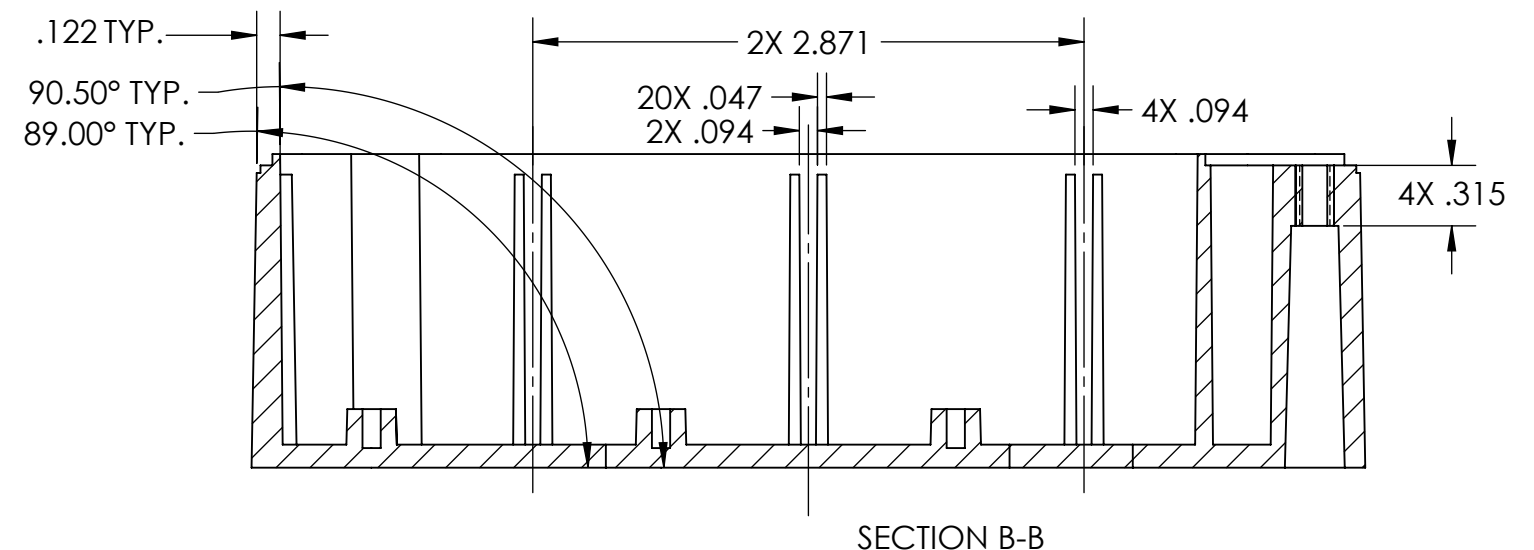
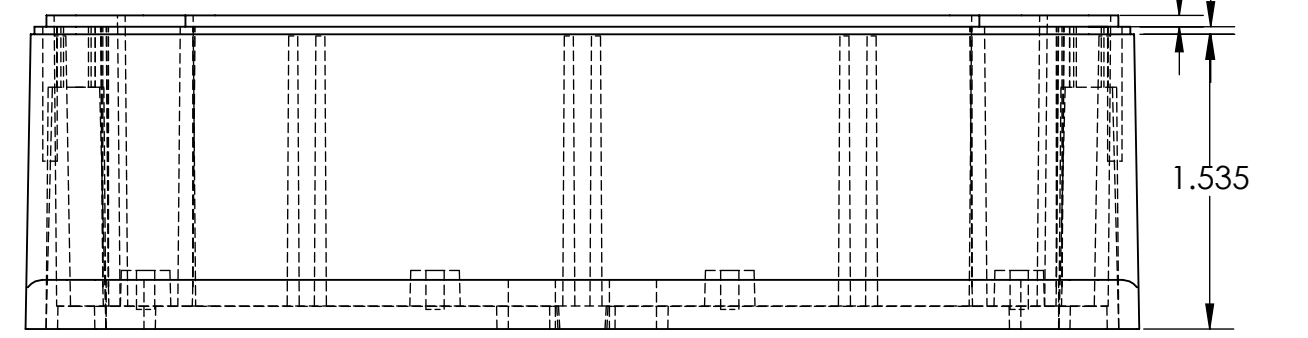
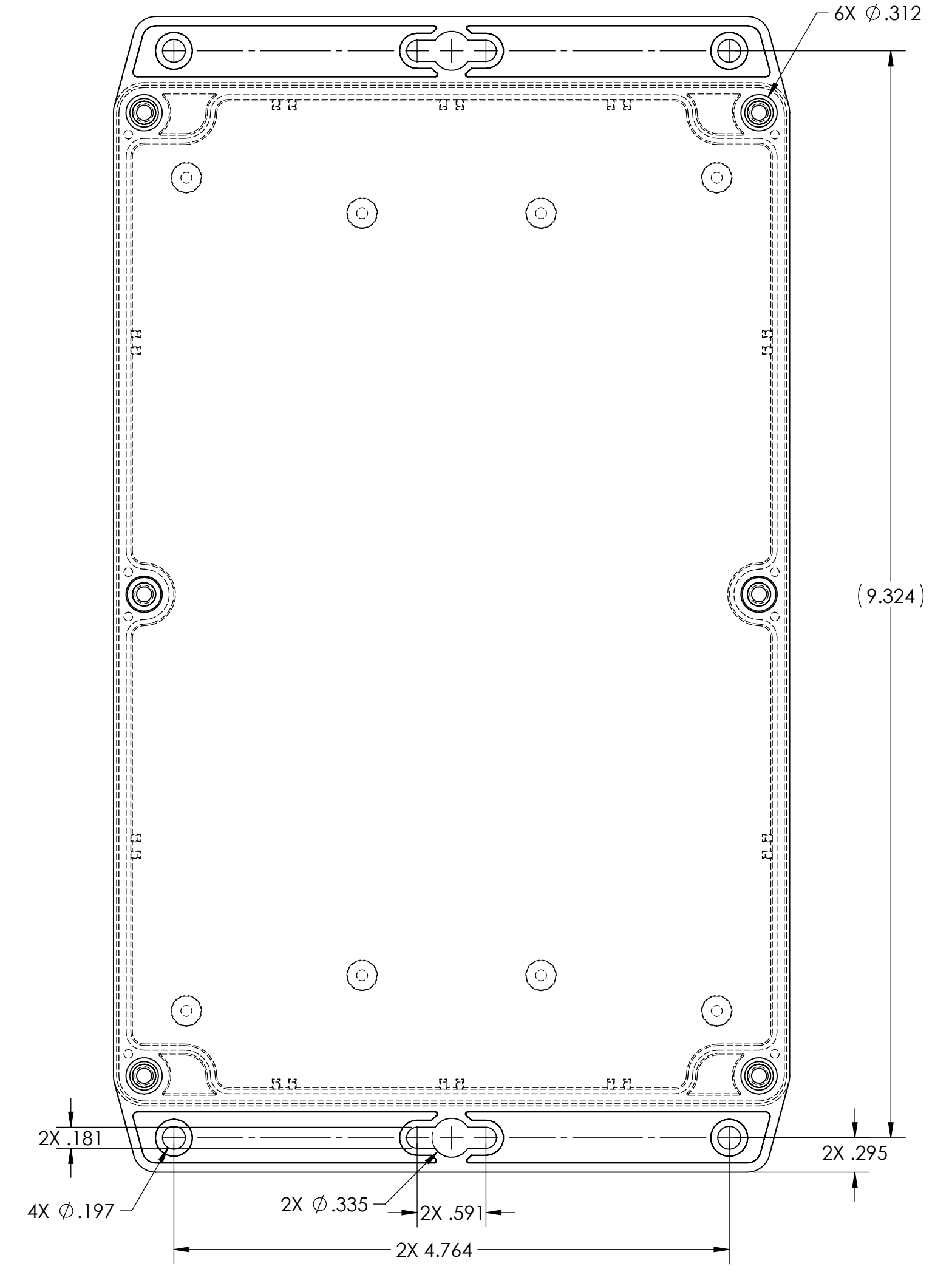
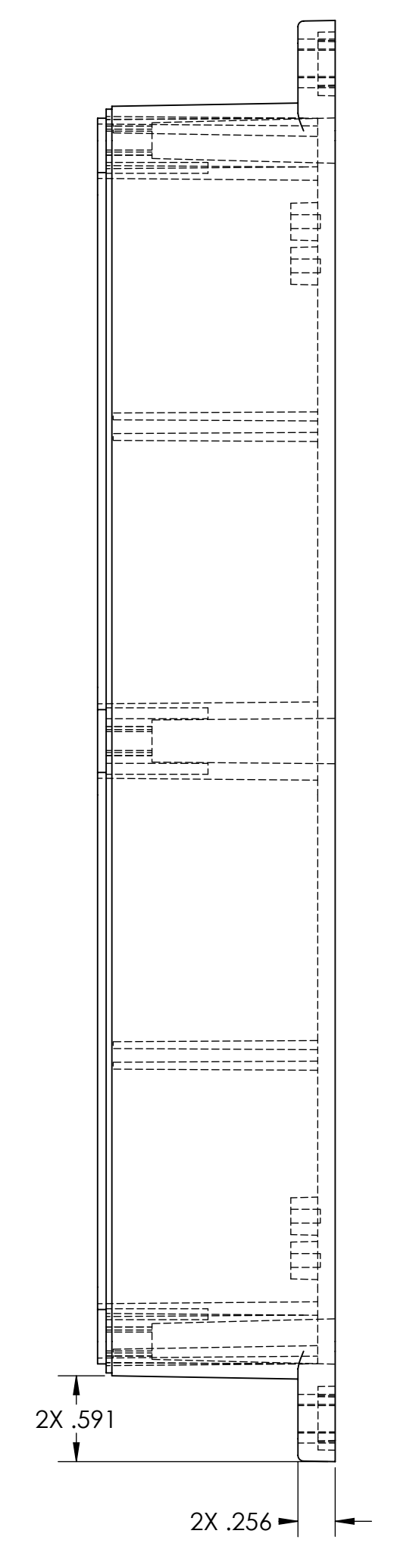
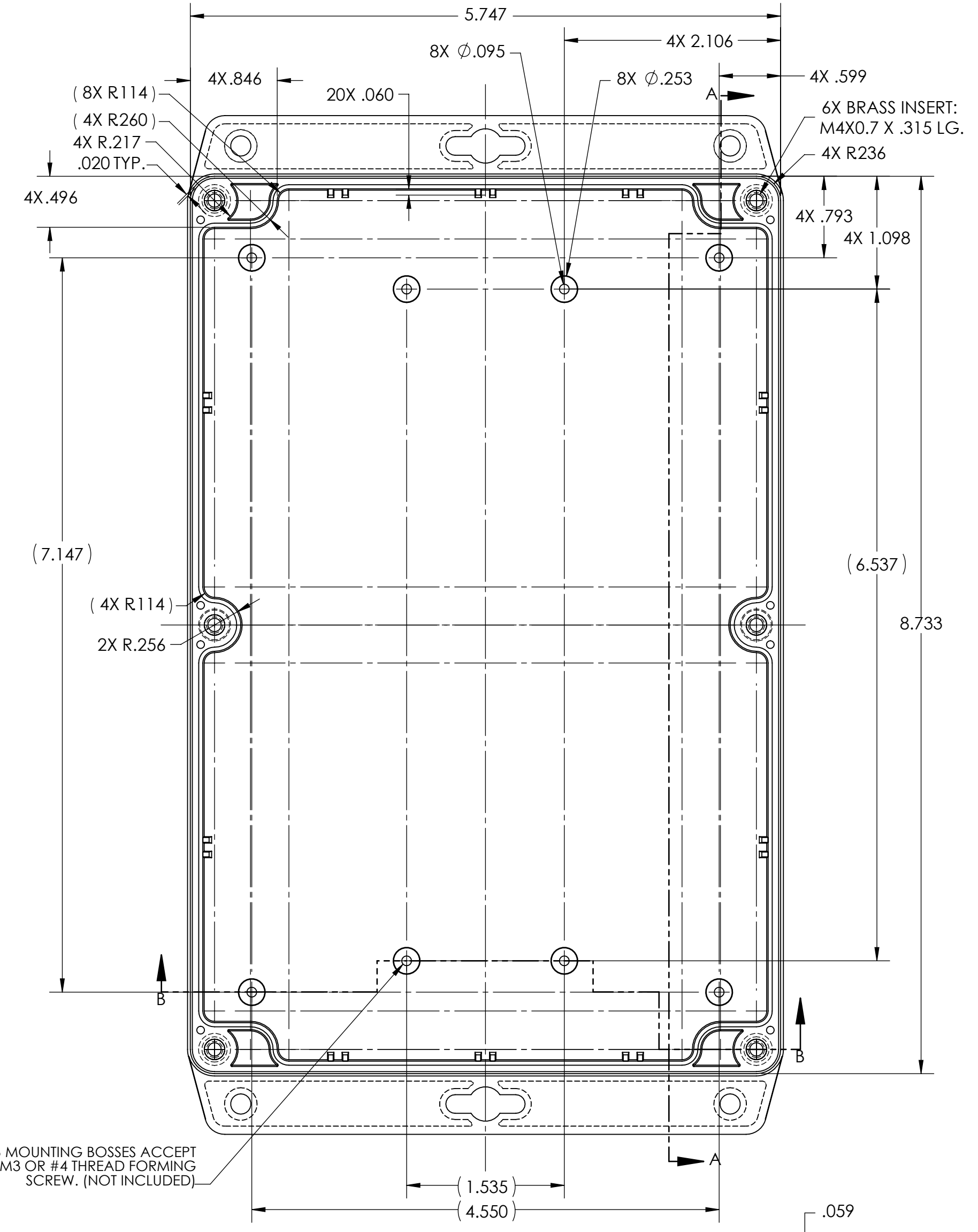
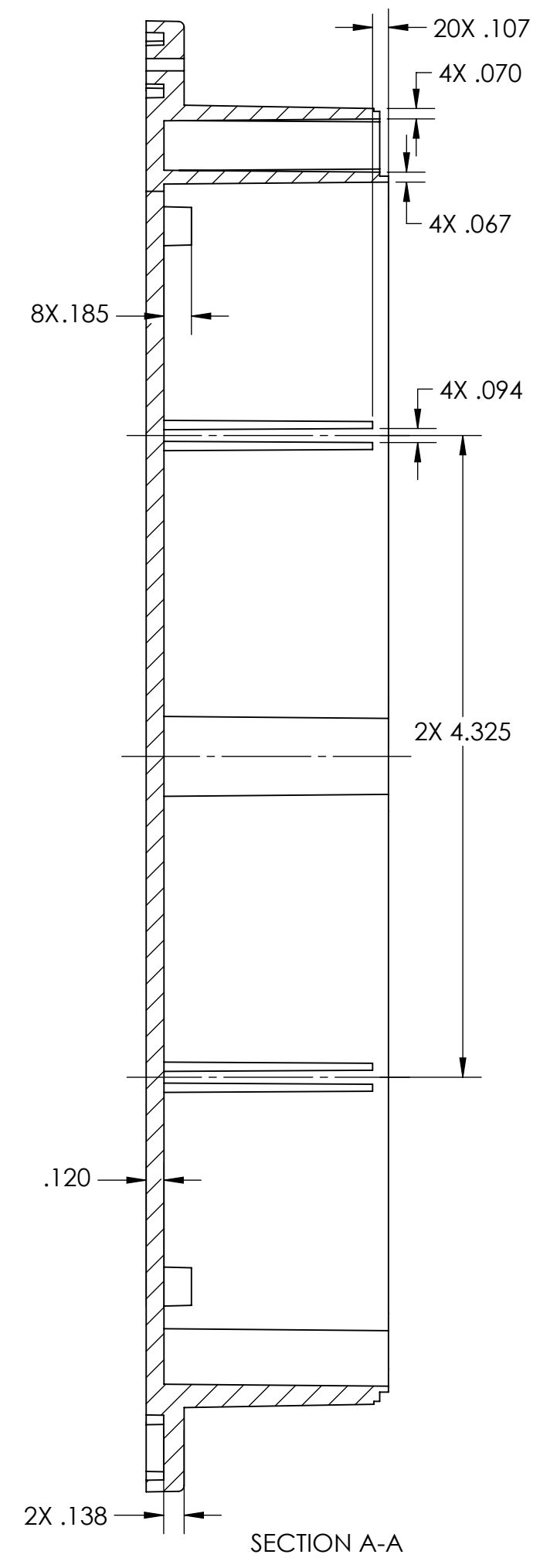


WP-25BF*15-PCB (REF. ONLY):
PCB TEMPLATE FOR WP-25BF*15

SCALE 1 : 1.5

NOTES:
1. SERVICE TEMPERATURE RANGE: -40°C TO 120°C
2. DESIGNED TO NEMA 1, 2, 4, 4X, 12, 13
3. UL LISTED TO UL508-4X SPECIFICATIONS (UL FILE #E194432).

UNLESS OTHERWISE SPECIFIED: DIMENSIONS ARE IN INCHES (MM) TOLERANCES: ANGULAR: ±2° TWO PLACE DECIMAL: ±0.10 THREE PLACE DECIMAL: ±0.05 PRINTED GRAPHICS: 1:100				PART NO. WC-25F*1508		MATERIAL		FLAME RATING UL94-HB		SIZE D		WC UNIT, W/PCB BOSSES, W/GASKET, W/FLANGES		REV	
PROPERTY AND CONFIDENTIAL THE INFORMATION CONTAINED IN THIS DRAWING IS THE SOLE PROPERTY OF POLYCASE. ANY REPRODUCTION IN PART OR AS A WHOLE WITHOUT THE WRITTEN PERMISSION OF POLYCASE IS PROHIBITED. CAP FILE: WC-25F1508				NAME D.M.F.		DATE 8/23/2011		DRAWN C.C.B.		CHECKED 8/30/2011		SCALE: 1:1		SHEET 1 OF 1	

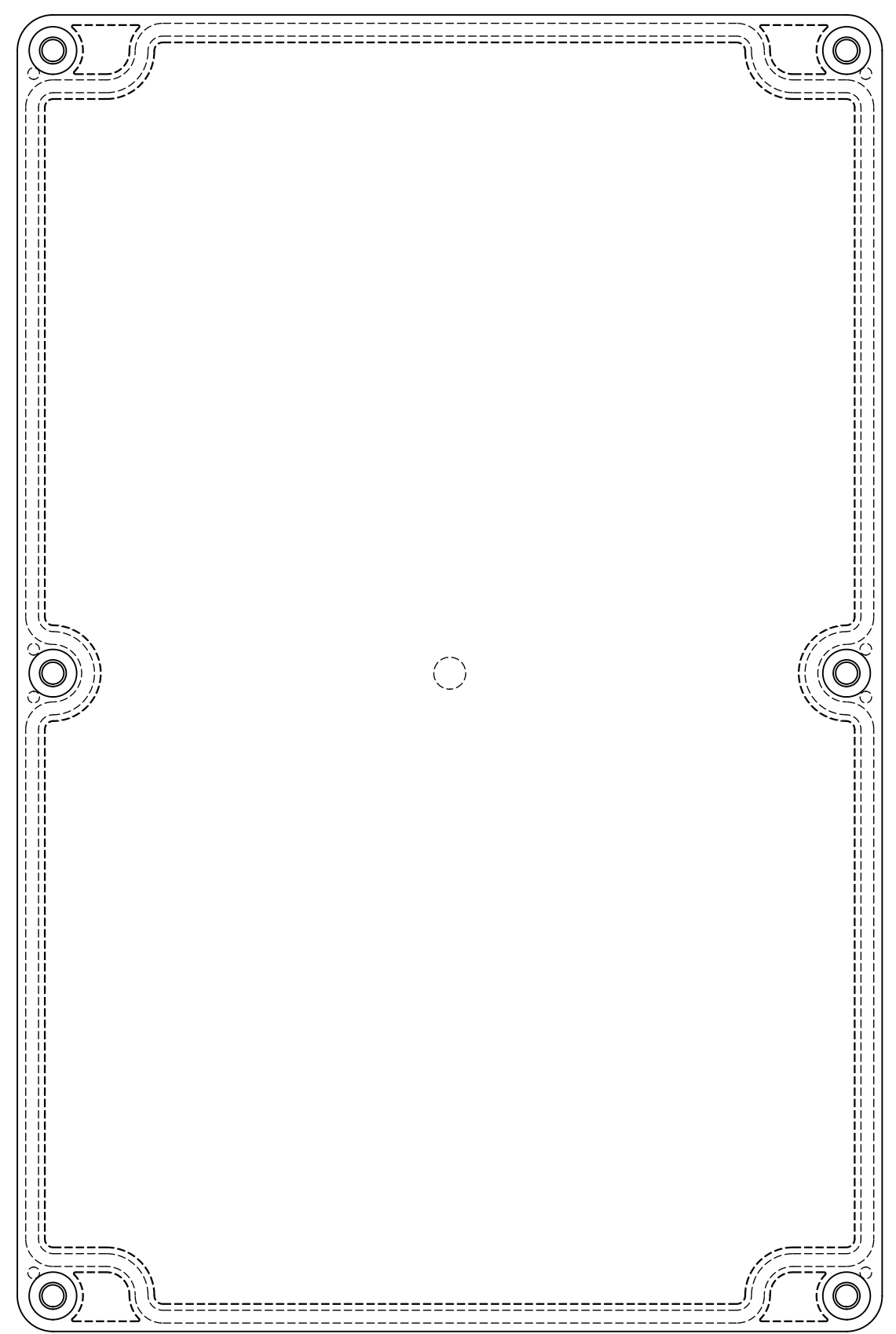
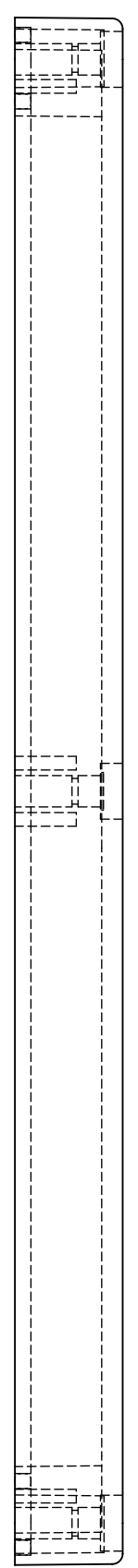
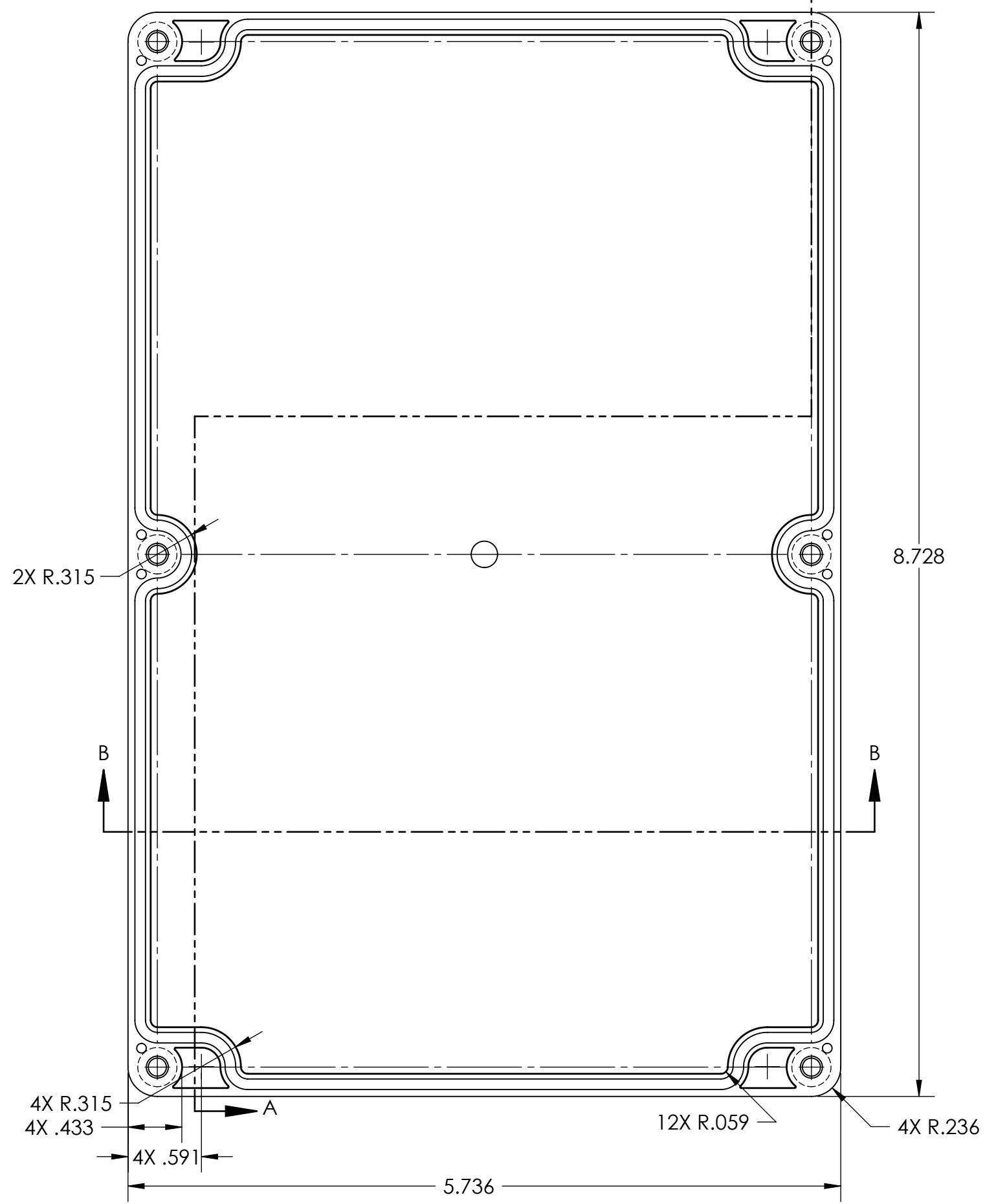
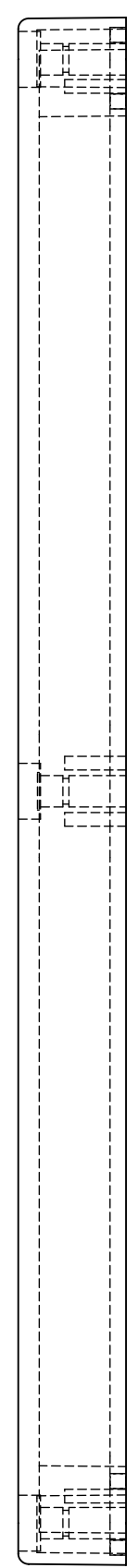
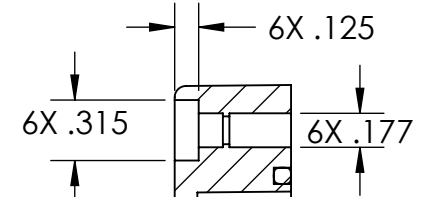


NOTES:
 1. COLOR: LIGHT GRAY
 2. SEE SOLID MODEL FOR COMPLETE PART DEFINITION.

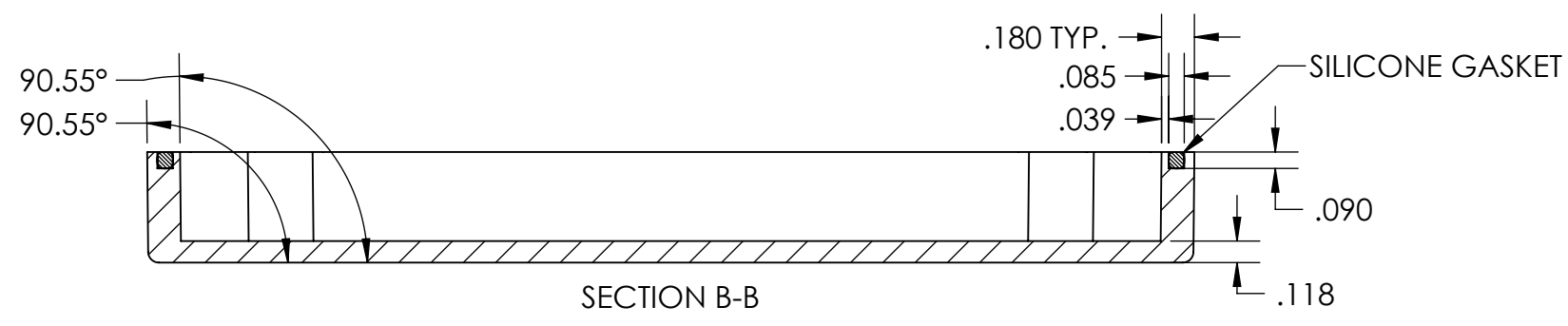
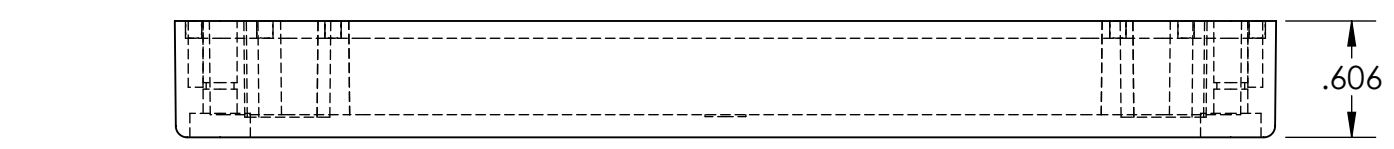
DIMENSION RANGE	0	.039	.118	.236	.394	.591	.866	1.181	1.575	2.087	2.756	3.543	4.724	6.299	7.874
TOOL DEPENDENT	±.007	±.007	±.008	±.008	±.009	±.010	±.011	±.012	±.013	±.015	±.017	±.020	±.024	±.028	±.035
NON-TOOL DEPENDENT	±.003	±.004	±.004	±.004	±.005	±.006	±.007	±.008	±.009	±.011	±.013	±.016	±.020	±.024	±.031

UNLESS OTHERWISE SPECIFIED: DIMENSIONS ARE IN INCHES/TYPICAL TOLERANCES: ANGULAR: ±2° TWO PLACE DECIMAL: ± THREE PLACE DECIMAL: ± FINISHED GRAPHICS: 1:10		PART NO. WP-25B*15		
MATERIAL POLYCARBONATE		FLAME RATING UL94-HB (UL FILE E41613)		
PROPERTY AND CONFIDENTIALITY INFORMATION CONTAINED IN THIS DRAWING IS THE SOLE PROPERTY OF POLYCASE. ANY REPRODUCTION IN PART OR AS A WHOLE WITHOUT THE WRITTEN PERMISSION OF POLYCASE IS PROHIBITED.	DATE 8/22/2011	SIZE D	WP BASE, W/PCB BOSES, W/FLANGES	
REVISIONS	ZONE	BY	APPR'D	DATE
SCALE: 1:1	DATE 8/30/2011	CHECKED C.C.B.	DATE 8/22/2011	DRAWN D.M.F.
SHEET 1 OF 1				

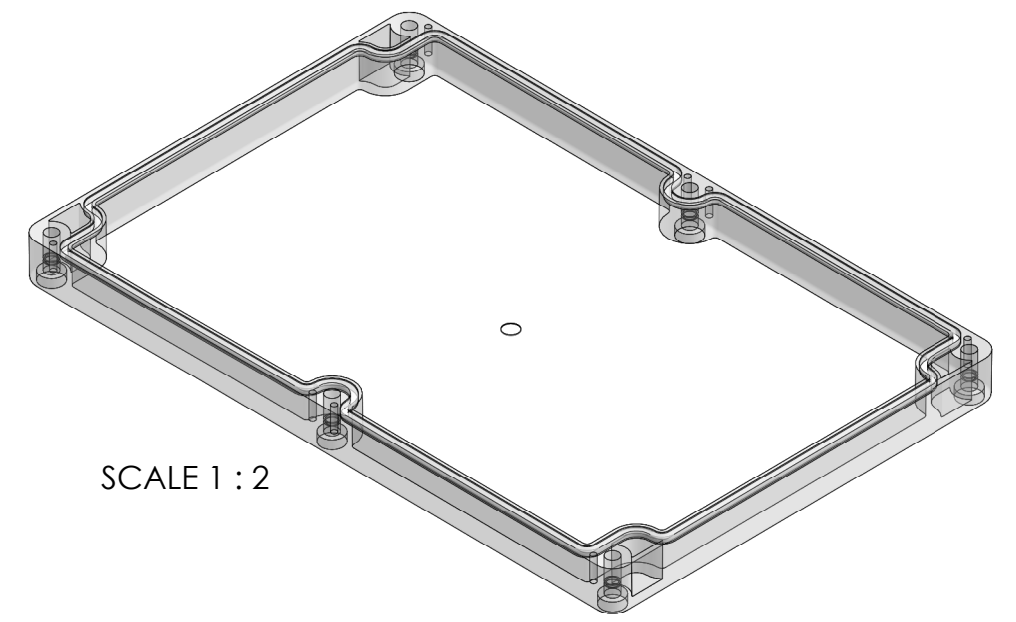
TOLERANCE CHART															
DIMENSION RANGE	0	.039	.118	.236	.394	.591	.866	1.181	1.575	2.087	2.756	3.543	4.724	6.299	7.874
TOOL DEPENDENT	±.007	±.007	±.008	±.008	±.009	±.010	±.011	±.012	±.013	±.015	±.017	±.020	±.024	±.028	±.035
NON-TOOL DEPENDENT	±.003	±.004	±.004	±.004	±.005	±.006	±.007	±.008	±.009	±.011	±.013	±.016	±.020	±.024	±.031



SECTION A-A

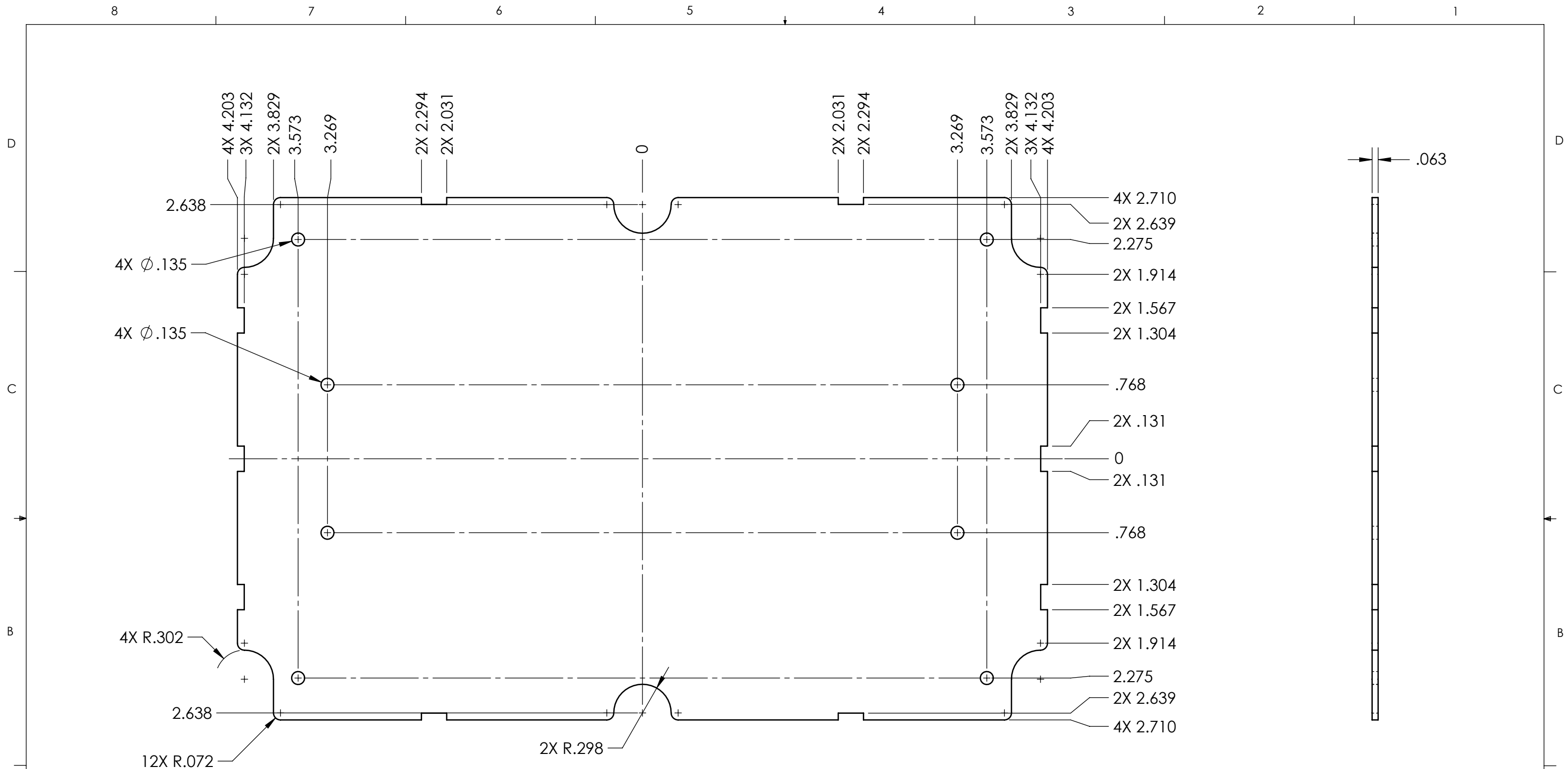


SECTION B-B




- NOTES:
 1. COLOR: CLEAR
 2. SEE SOLID MODEL FOR COMPLETE PART DEFINITION.

UNLESS OTHERWISE SPECIFIED: DIMENSIONS ARE IN: INCHES[mm] TOLERANCES: ANGULAR: ±2° TWO PLACE DECIMAL: ± THREE PLACE DECIMAL: ± PRINTED GRAPHICS: ±.010	PART NO. WC-25C*08		 <small>1305 CHESTER RD. PARKWAY AVON, OHIO 44011-1083 U.S.A. PH: 1-800-248-1233 440-934-0444 FAX: 440-934-0088</small>				
	MATERIAL POLYCARBONATE						
	FLAME RATING UL94-HB (UL FILE E41613)	SIZE C		WC COVER, W/GASKET			
PROPRIETARY AND CONFIDENTIAL THE INFORMATION CONTAINED IN THIS DRAWING IS THE SOLE PROPERTY OF POLYCASE. ANY REPRODUCTION IN PART OR AS A WHOLE WITHOUT THE WRITTEN PERMISSION OF POLYCASE IS PROHIBITED. CAD FILE: WC-25C*08	NAME D.M.F.	DATE 7/18/2011	REV -				
REV.	DESCRIPTION	ZONE	BY	APPR'D	DATE	SCALE: 1:1	SHEET 1 OF 1
REVISIONS							



NOTES:

- INCLUDES .030 CLEARANCE FROM INTERIOR OF WP-25BF*15

UNLESS OTHERWISE SPECIFIED: DIMENSIONS ARE IN: INCHES [mm] TOLERANCES: ANGULAR: ±2° TWO PLACE DECIMAL: ±.010 THREE PLACE DECIMAL: ±.005 PRINTED GRAPHICS: ±.010	PART NO. WP-25BF*15-PCB		 <small>1305 CHESTER IND. PARKWAY AVON, OHIO 44011-1083 U.S.A. PH#: 1-800-248-1233, 440-934-0444 FAX#: 440-934-0088</small>
	MATERIAL		
PROPRIETARY AND CONFIDENTIAL THE INFORMATION CONTAINED IN THIS DRAWING IS THE SOLE PROPERTY OF POLYCASE. ANY REPRODUCTION IN PART OR AS A WHOLE WITHOUT THE WRITTEN PERMISSION OF POLYCASE IS PROHIBITED. CAD FILE: WP-25BF*15-PCB	FLAME RATING		SIZE B
	DRAWN C.C.B.	NAME D.M.F.	DATE 8/23/2011
REVISIONS		CHECKED C.C.B.	8/30/2011
SCALE: 1:1		SHEET 1 OF 1	

REV.	DESCRIPTION	ZONE	BY	APPR'D	DATE
REVISIONS					

Enable 3D View