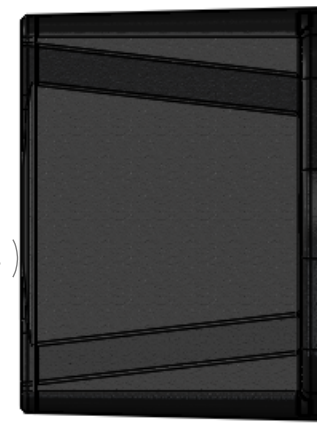
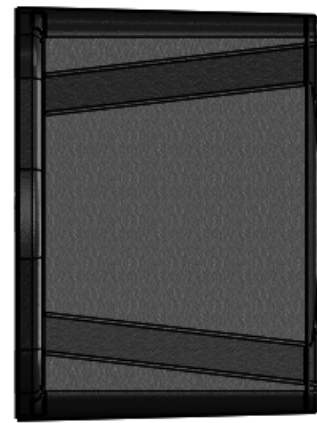
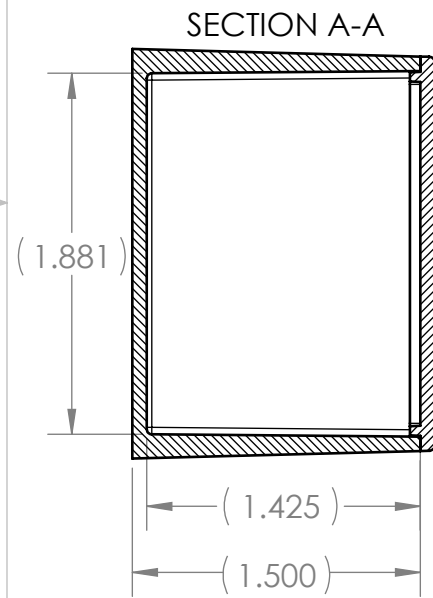
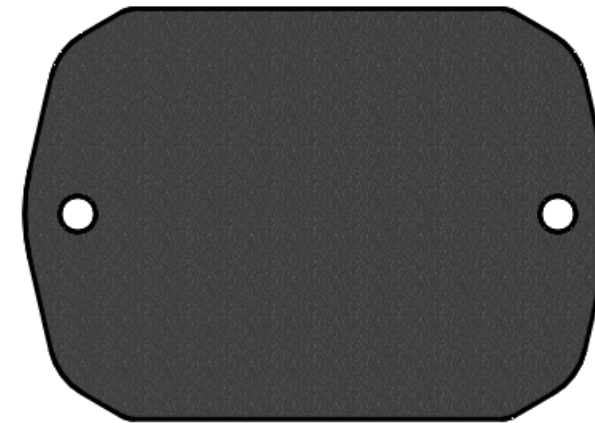
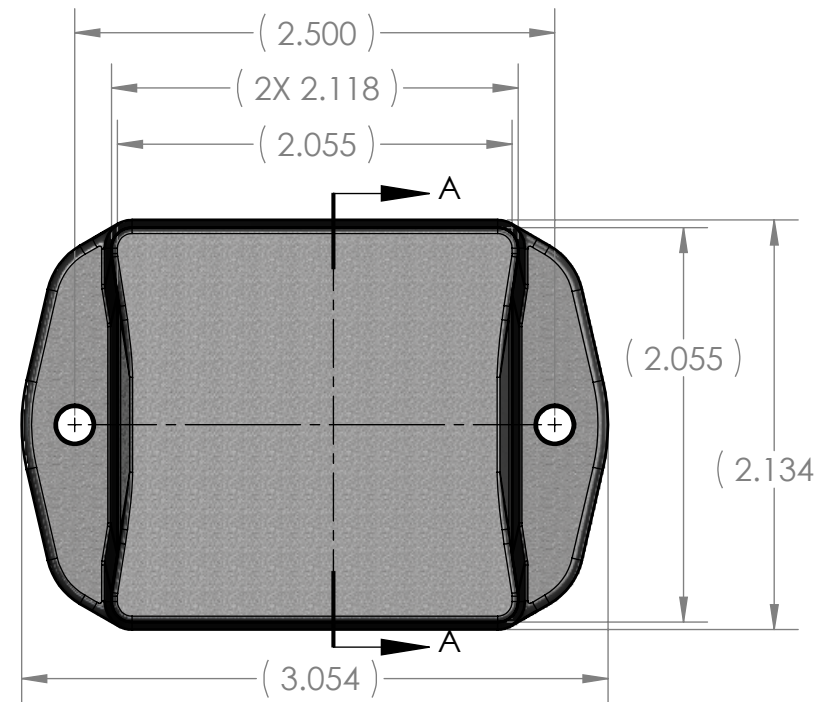
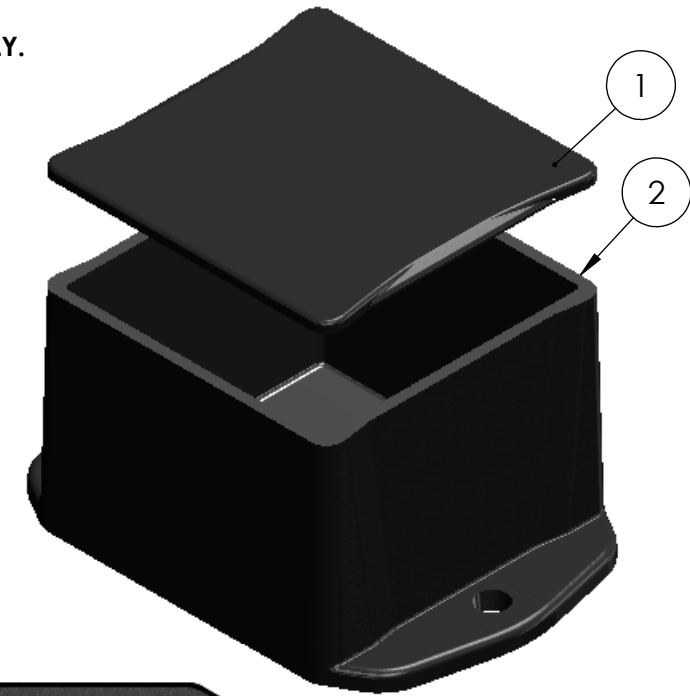


ITEM NO.	PART NUMBER	Rev.	DESCRIPTION	MATERIAL	Color
1	BX-22C	-	BX SERIES COVER	ABS	BLACK
2	BX-2215BXX	-	BASE, BLACK, WITHOUT PCB BOSSES	ABS	BLACK

**NOTE: ALL COMPONENTS ARE SOLD AND PRICED SEPARATELY. SHOWN ASSEMBLED FOR REFERENCE ONLY.**



UNLESS OTHERWISE SPECIFIED:  
 DIMENSIONS ARE IN: INCHES[mm]  
 TOLERANCES: ANGULAR: ±2°  
 TWO PLACE DECIMAL: ±.030  
 THREE PLACE DECIMAL: ±.015  
 PRINTED GRAPHICS: ±.010

PROPRIETARY AND CONFIDENTIAL  
 THE INFORMATION CONTAINED IN THIS  
 DRAWING IS THE SOLE PROPERTY OF  
 POLYCASE. ANY REPRODUCTION IN PART  
 OR AS A WHOLE WITHOUT THE WRITTEN  
 PERMISSION OF POLYCASE IS PROHIBITED.  
 CAD FILE: BX-2215XX ASS'Y

PART NO.  
 BX-2215XX  
 MATERIAL

FLAME RATING  
 UL94V-0

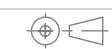
DRAWN	NAME	DATE
D.M.F.		9/10/2013
CHECKED	-	11/3/2010

**polycase**  
 1305 CHESTER IND. PARKWAY AVON, OHIO 44011-1083 U.S.A.  
 PH#: 1-800-248-1233, 440-934-0444 FAX#: 440-934-0088

SIZE  
**B**  
 BX SERIES ASSEMBLY,  
 BLACK, WITHOUT PCB  
 BOSSES

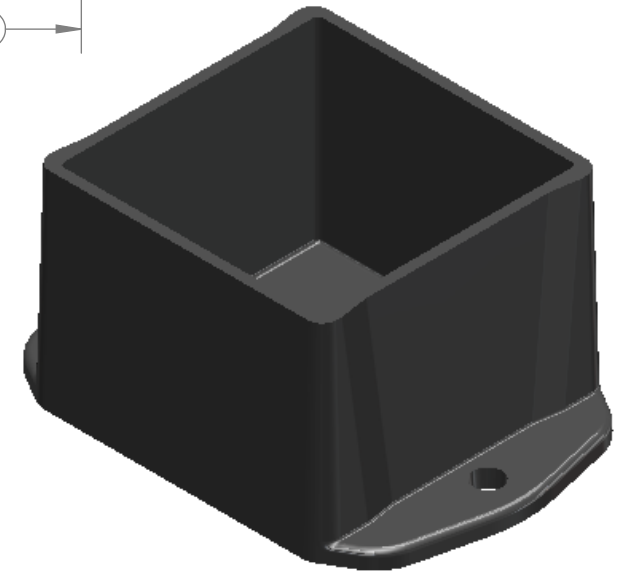
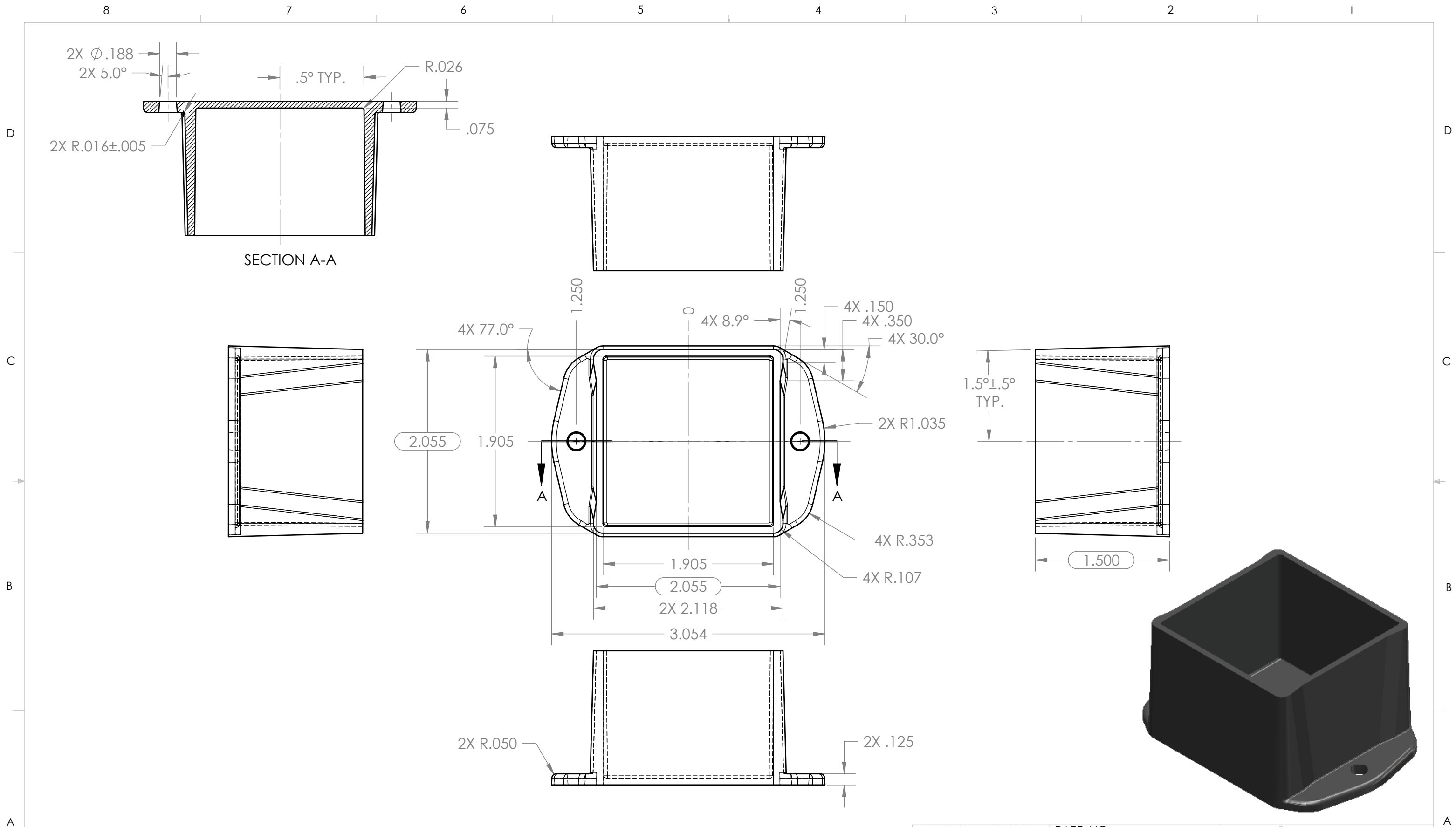
REV  
 -

SCALE: 1:1



SHEET 1 OF 1

REV.	DESCRIPTION	ZONE	BY	APPR'D	DATE
	REVISIONS				



UNLESS OTHERWISE SPECIFIED:  
 DIMENSIONS ARE IN: INCHES [mm]  
 TOLERANCES: ANGULAR: ±2°  
 TWO PLACE DECIMAL: ±.030  
 THREE PLACE DECIMAL: ±.015  
 PRINTED GRAPHICS: ±.010

PROPRIETARY AND CONFIDENTIAL  
 THE INFORMATION CONTAINED IN THIS  
 DRAWING IS THE SOLE PROPERTY OF  
 POLYCASE. ANY REPRODUCTION IN PART  
 OR AS A WHOLE WITHOUT THE WRITTEN  
 PERMISSION OF POLYCASE IS PROHIBITED.  
 CAD FILE: BX-2215BXX

PART NO. BX-2215BXX	
MATERIAL ABS	
FLAME RATING UL94V-0	SIZE <b>B</b>
DRAWN D.M.F.	DATE 8/16/2013
CHECKED -	DATE 11/3/2010

**polycase**  
 1305 CHESTER IND. PARKWAY AVON, OHIO 44011-1083 U.S.A.  
 PH#: 1-800-248-1233, 440-934-0444 FAX#: 440-934-0088

BASE, BLACK, WITHOUT PCB  
BOSSSES

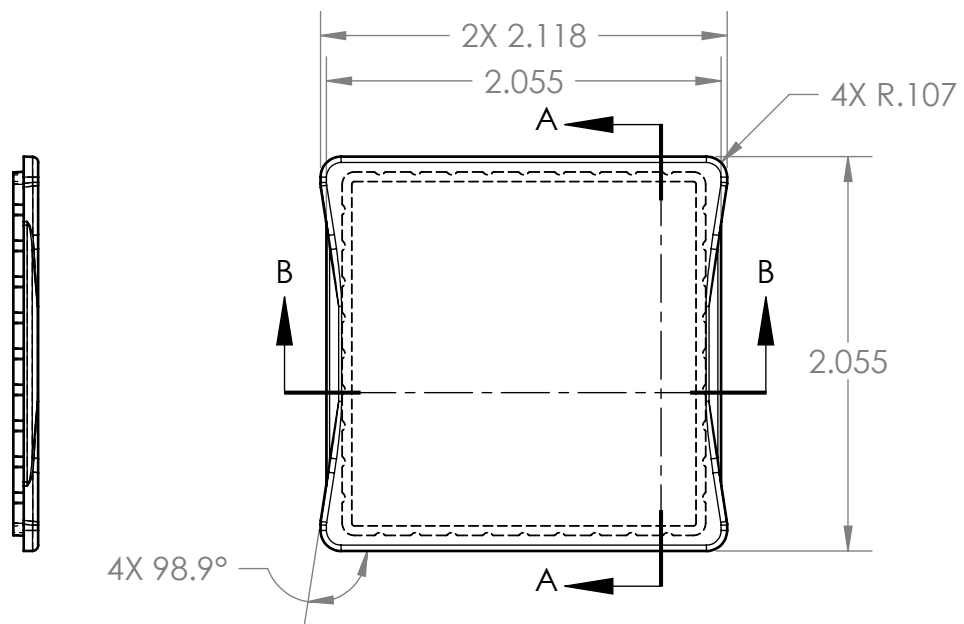
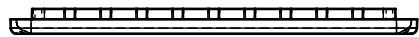
REV  
-

SCALE: 1:1

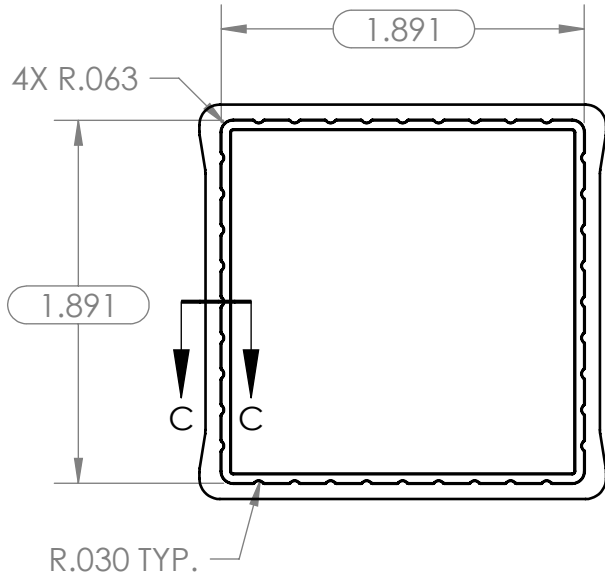
SHEET 1 OF 1

REV.	DESCRIPTION	ZONE	BY	APPR'D	DATE
REVISIONS					

		TOLERANCE CHART																			
DIMENSION RANGE	0	.039	.118	.236	.394	.591	.866	1.181	1.575	2.087	2.756	3.543	4.724	6.299	7.874	9.843	12.402	15.748	19.685	24.803	31.496
	.039	.118	.236	.394	.591	.866	1.181	1.575	2.087	2.756	3.543	4.724	6.299	7.874	9.843	12.402	15.748	19.685	24.803	31.496	39.37
TOOL DEPENDENT	±.007	±.007	±.008	±.008	±.009	±.010	±.011	±.012	±.013	±.015	±.017	±.020	±.024	±.028	±.035	.043	.051	.063	.079	.098	.118
NON-TOOL DEPENDENT	±.003	±.004	±.004	±.004	±.005	±.006	±.007	±.008	±.009	±.011	±.013	±.016	±.020	±.024	±.031	.039	.047	.059	.075	.094	.114



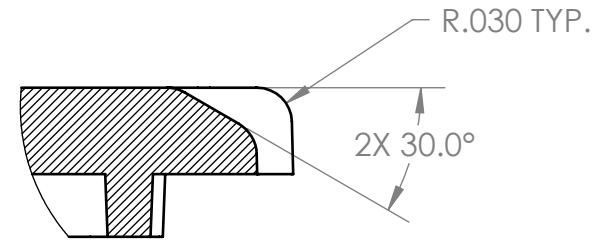
SECTION A-A



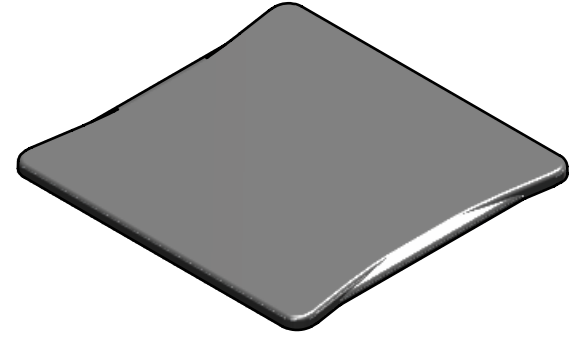
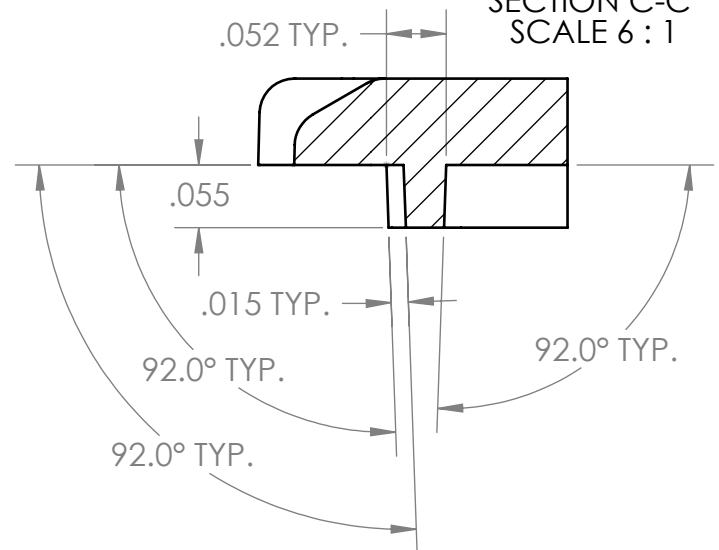
SECTION C-C  
SCALE 6 : 1



SECTION B-B



DETAIL D  
SCALE 6 : 1



UNLESS OTHERWISE SPECIFIED:  
DIMENSIONS ARE IN: INCHES [mm]  
TOLERANCES: ANGULAR: ±2°  
TWO PLACE DECIMAL: ±.030  
THREE PLACE DECIMAL: ±.015  
PRINTED GRAPHICS: ±.010

PROPRIETARY AND CONFIDENTIAL  
THE INFORMATION CONTAINED IN THIS  
DRAWING IS THE SOLE PROPERTY OF  
POLYCASE. ANY REPRODUCTION IN PART  
OR AS A WHOLE WITHOUT THE WRITTEN  
PERMISSION OF POLYCASE IS PROHIBITED.  
CAD FILE: BX-22C

PART NO. BX-22C		MATERIAL ABS	
FLAME RATING UL94V-0		SIZE <b>B</b>	BX SERIES COVER
DRAWN	NAME D.M.F.	DATE 8/16/2013	REV -
CHECKED	-	11/3/2010	SCALE: 1:1

**polycase**  
1305 CHESTER IND. PARKWAY AVON, OHIO 44011-1083 U.S.A.  
PH#: 1-800-248-1233, 440-934-0444 FAX#: 440-934-0088

SHEET 1 OF 1

REV.	DESCRIPTION	ZONE	BY	APPR'D	DATE
REVISIONS					