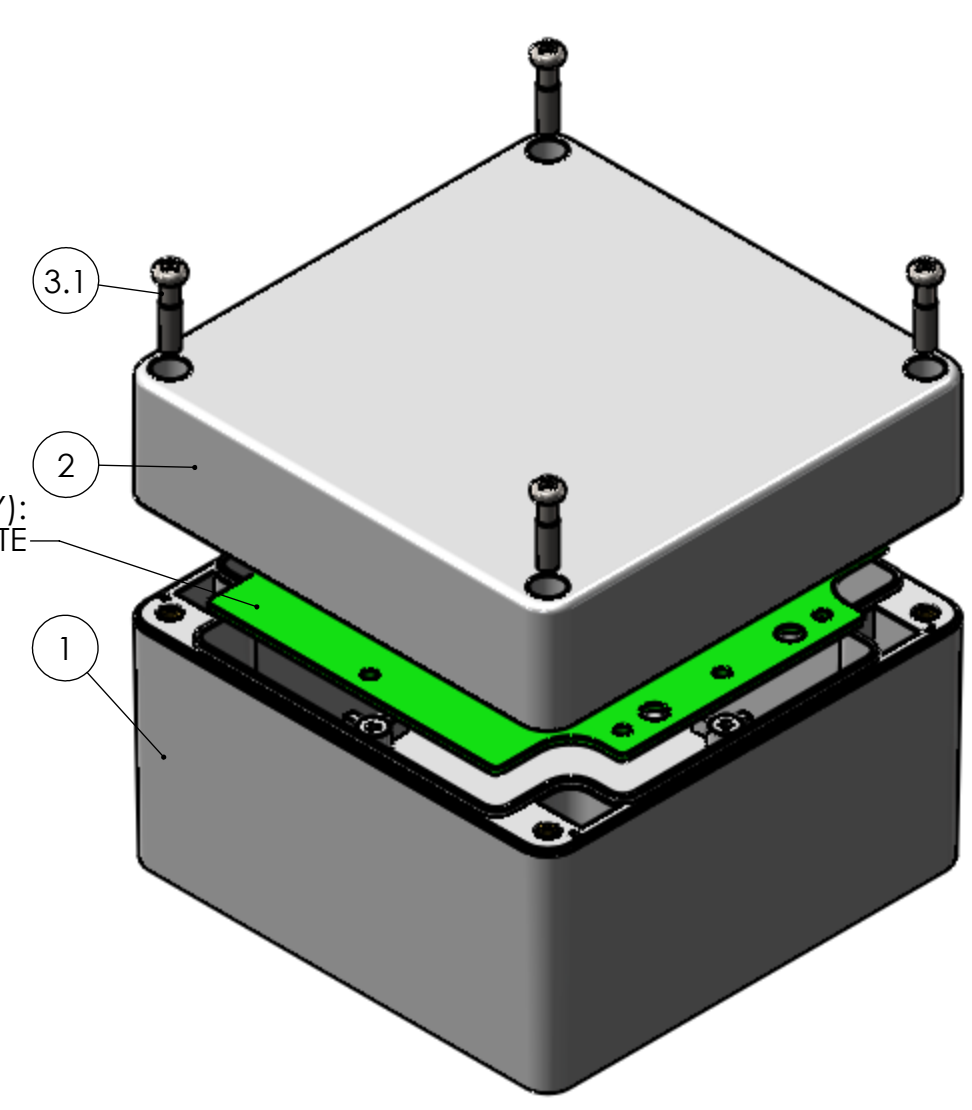
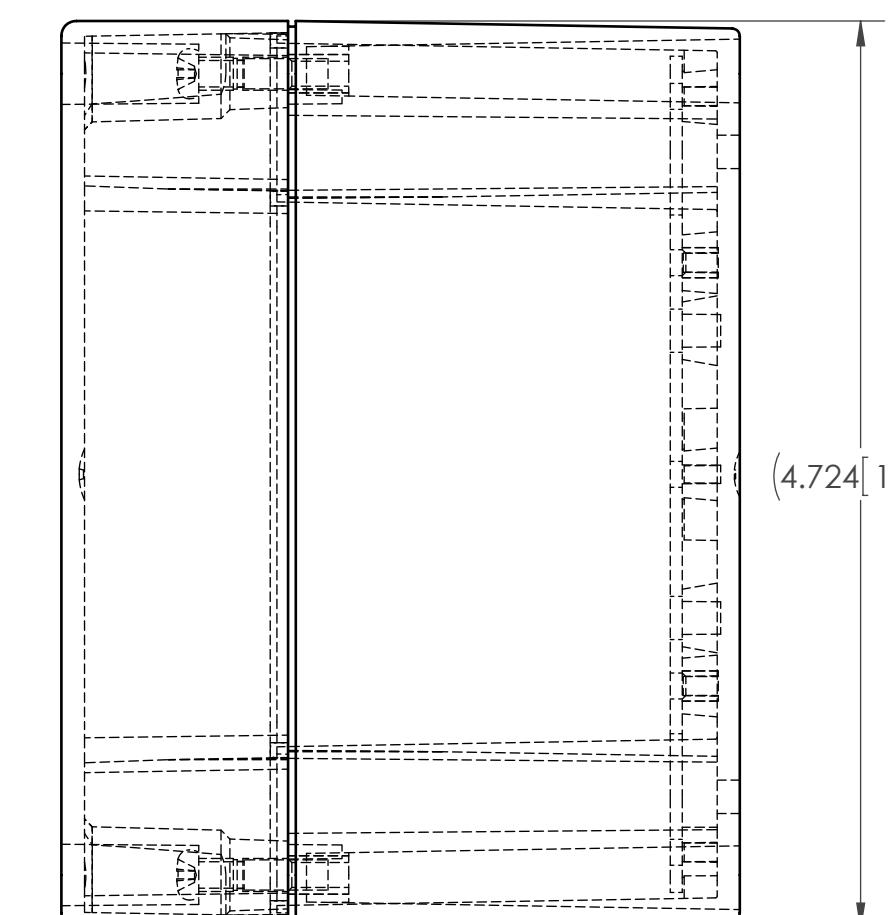
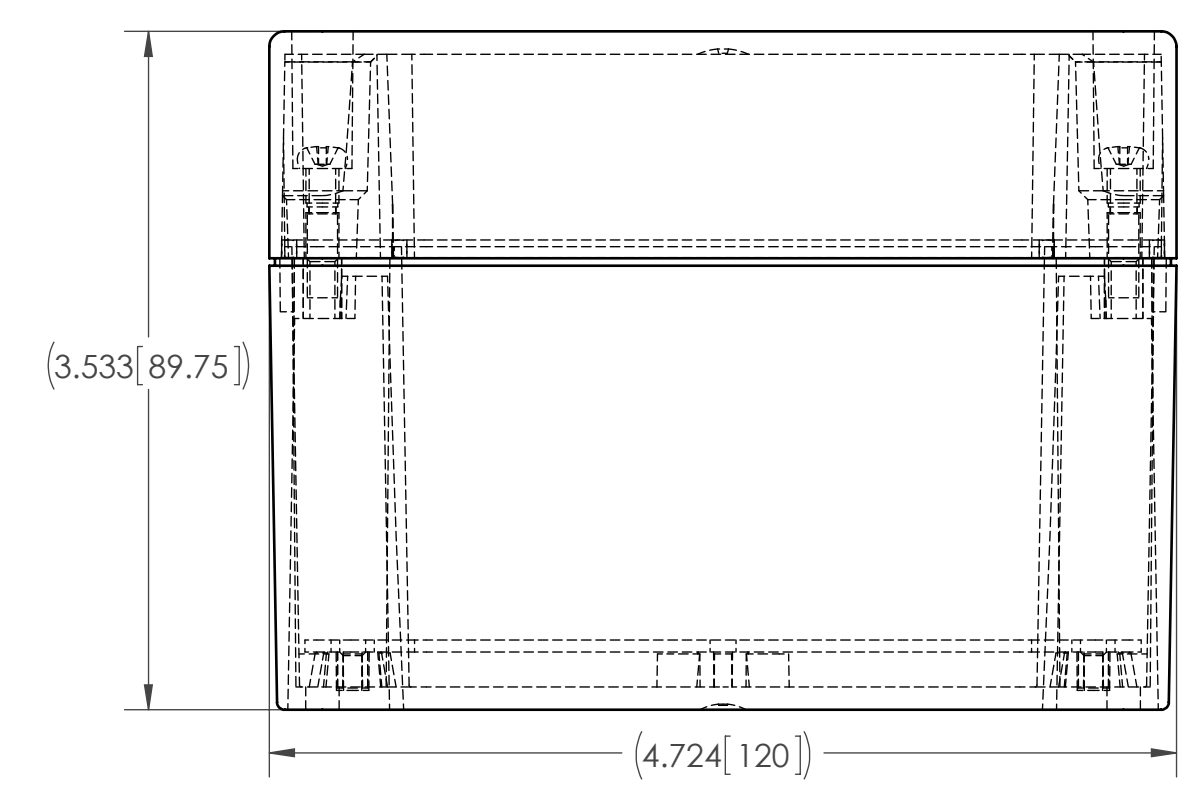


ITEM NO.	PART NUMBER	Rev.	DESCRIPTION	MATERIAL	FlameRating	Color	QTY.
1	WP-37B*15	-	WP BASE, W/MOUNTING BOSSES	PC	UL94-HB (UL FILE E41613)	LIGHT GRAY (RAL 7035)	1
2	WP-36C*15	-	WP COVER ONLY, W/GASKET	PC	UL94-HB (UL FILE E41613)	LIGHT GRAY (RAL 7035)	1
3	SCREWS-SSM4-20-4	-	ASSEMBLY SCREWS, 4 PACK				1
3.1	SCREWS-SSM4-20	-	M4X0.7 X 20mm OAL, PHILLIPS DRIVE MACHINE SCREW	STAINLESS STEEL			4



WP-37B*15-PCB (REF. ONLY):
PCB TEMPLATE

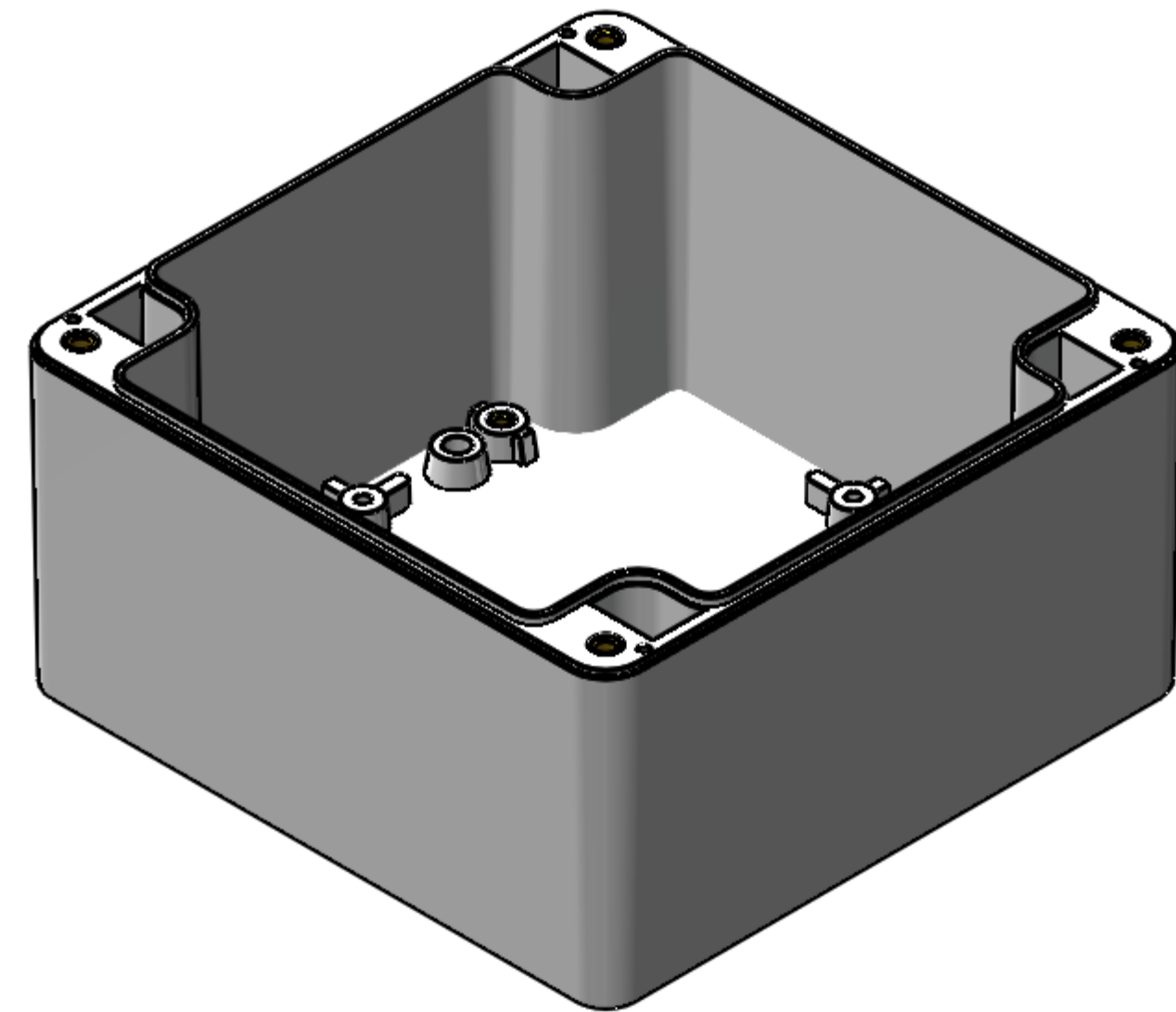
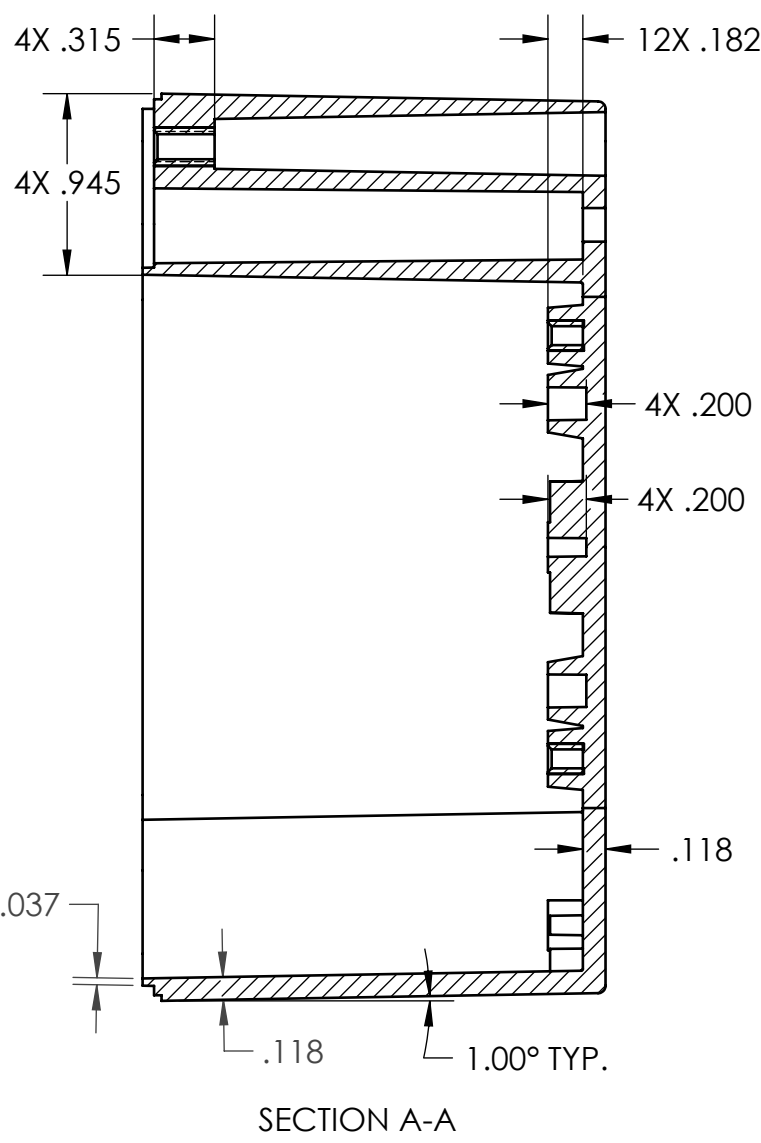
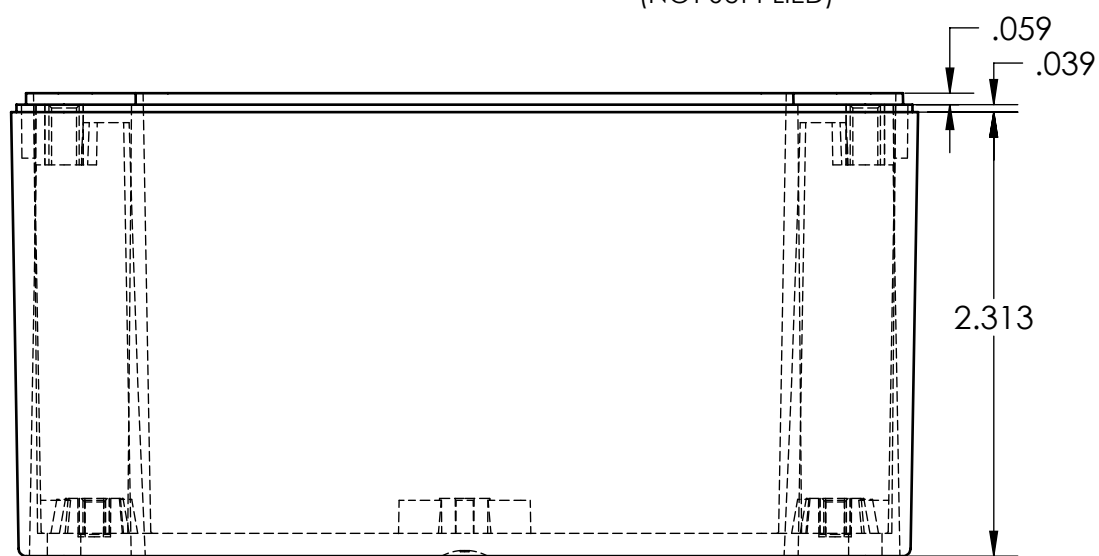
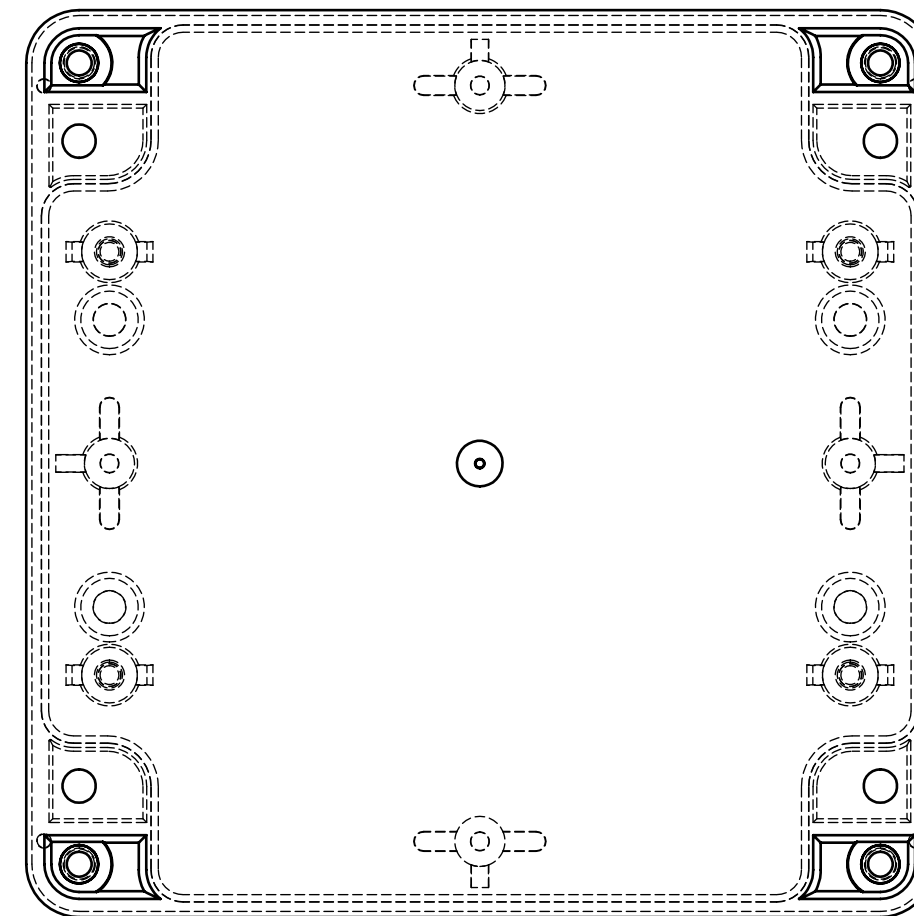
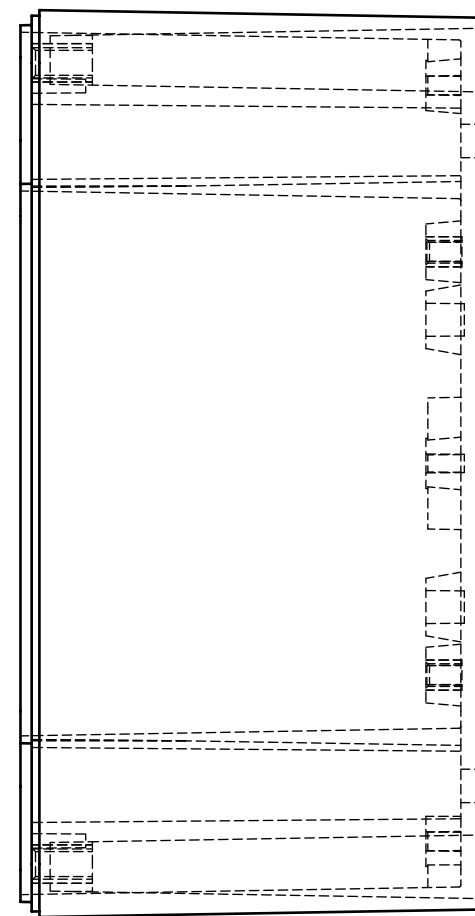
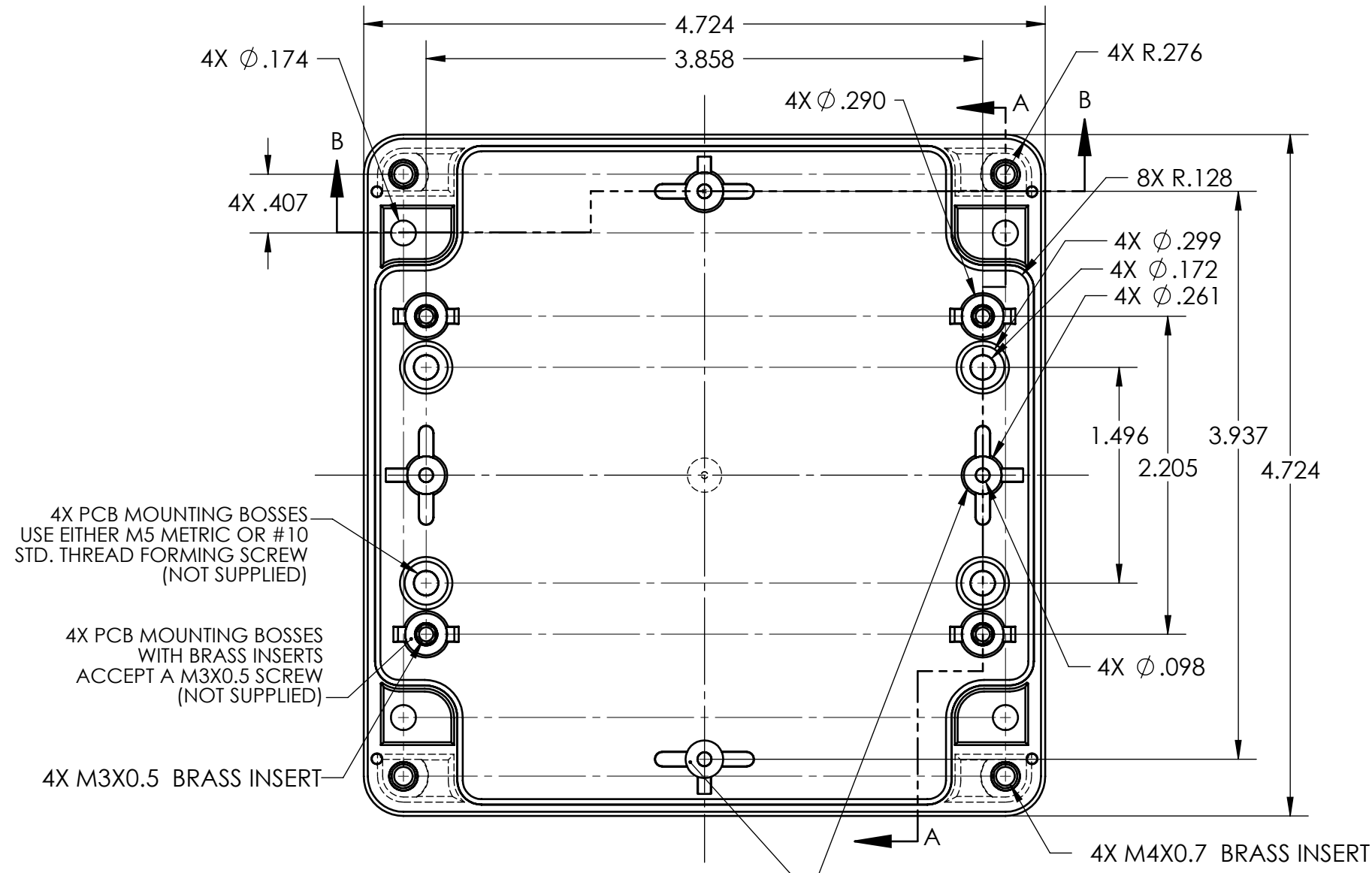


- NOTES:
 1. SERVICE TEMPERATURE RANGE: -40°C TO 120°C
 2. DESIGNED TO NEMA 1, 2, 4, 4X, 12, 13
 3. MOUNTING FLANGE KITS ARE AVAILABLE FROM POLYCASE.
 4. UL LISTED TO UL508-4X SPECIFICATIONS (UL FILE #E194432).

UNLESS OTHERWISE SPECIFIED: DIMENSIONS ARE IN: INCHES[mm] TOLERANCES: ANGULAR: ±2° TWO PLACE DECIMAL: ±.030 THREE PLACE DECIMAL: ±.015 PRINTED GRAPHICS: ±.010		PART NO. WP-37*15		 1303 CHESTER RD. PARKWAY AVON, OHIO 44011-1083 U.S.A. PH: 1-800-248-1233 440-934-0044 FAX: 440-934-0088	
PROPRIETARY AND CONFIDENTIAL THE INFORMATION CONTAINED IN THIS DRAWING IS THE SOLE PROPERTY OF POLYCASE. ANY REPRODUCTION IN PART OR AS A WHOLE WITHOUT THE WRITTEN PERMISSION OF POLYCASE IS PROHIBITED. CAD FILE: WP-37*15		MATERIAL			
FLAME RATING UL94-HB		SIZE C		Product Assembly Drawing	
DRAWN CHECKED		NAME DATE		REV	
D.M.F. C.C.B.		3/27/2013 4/9/2013		SCALE: 1:1	
REVISIONS		ZONE BY APPR'D DATE		SHEET 1 OF 1	

REV.	DESCRIPTION	ZONE	BY	APPR'D	DATE

		TOLERANCE CHART													
DIMENSION RANGE	0	.039	.118	.236	.394	.591	.866	1.181	1.575	2.087	2.756	3.543	4.724	6.299	7.874
	TOOL DEPENDENT	±.007	±.007	±.008	±.008	±.009	±.010	±.011	±.012	±.013	±.015	±.017	±.020	±.024	±.028
NON-TOOL DEPENDENT	±.003	±.004	±.004	±.004	±.005	±.006	±.007	±.008	±.009	±.011	±.013	±.016	±.020	±.024	±.031

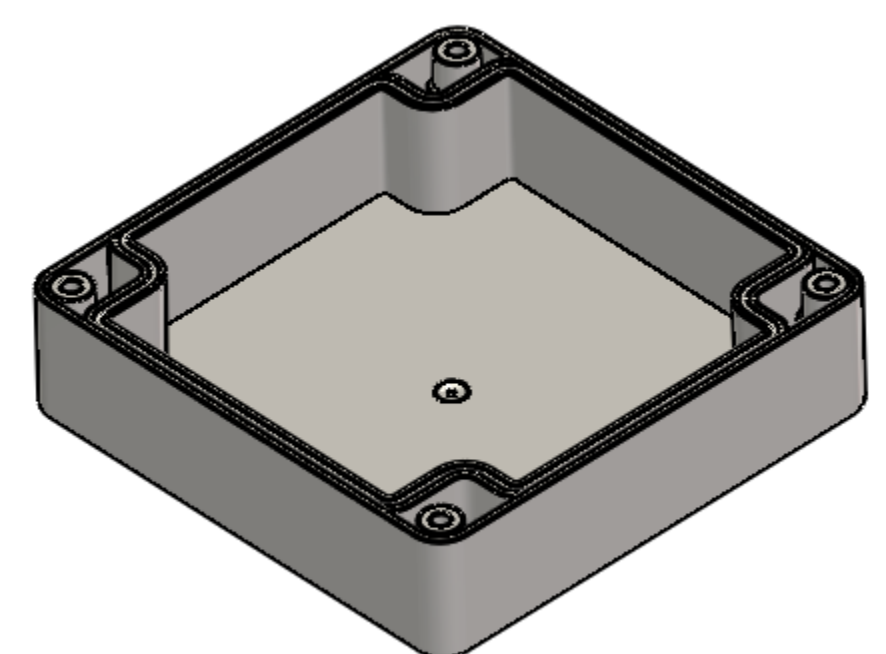
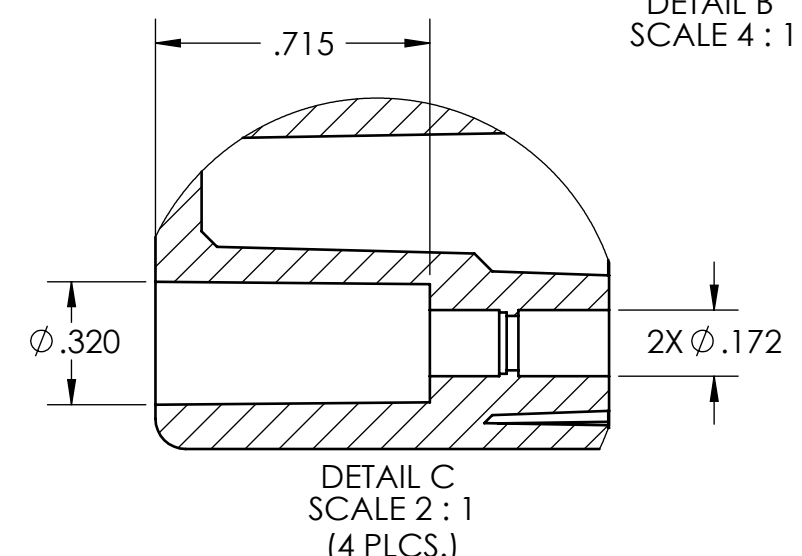
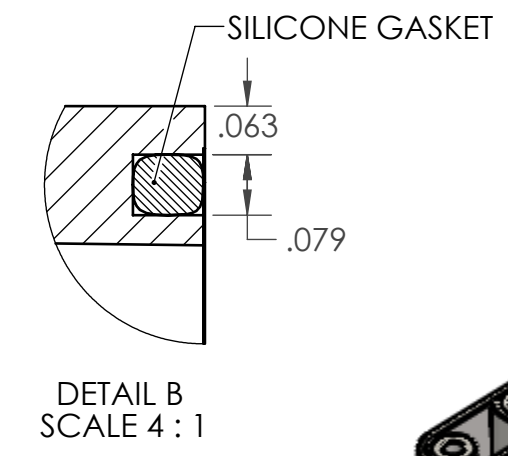
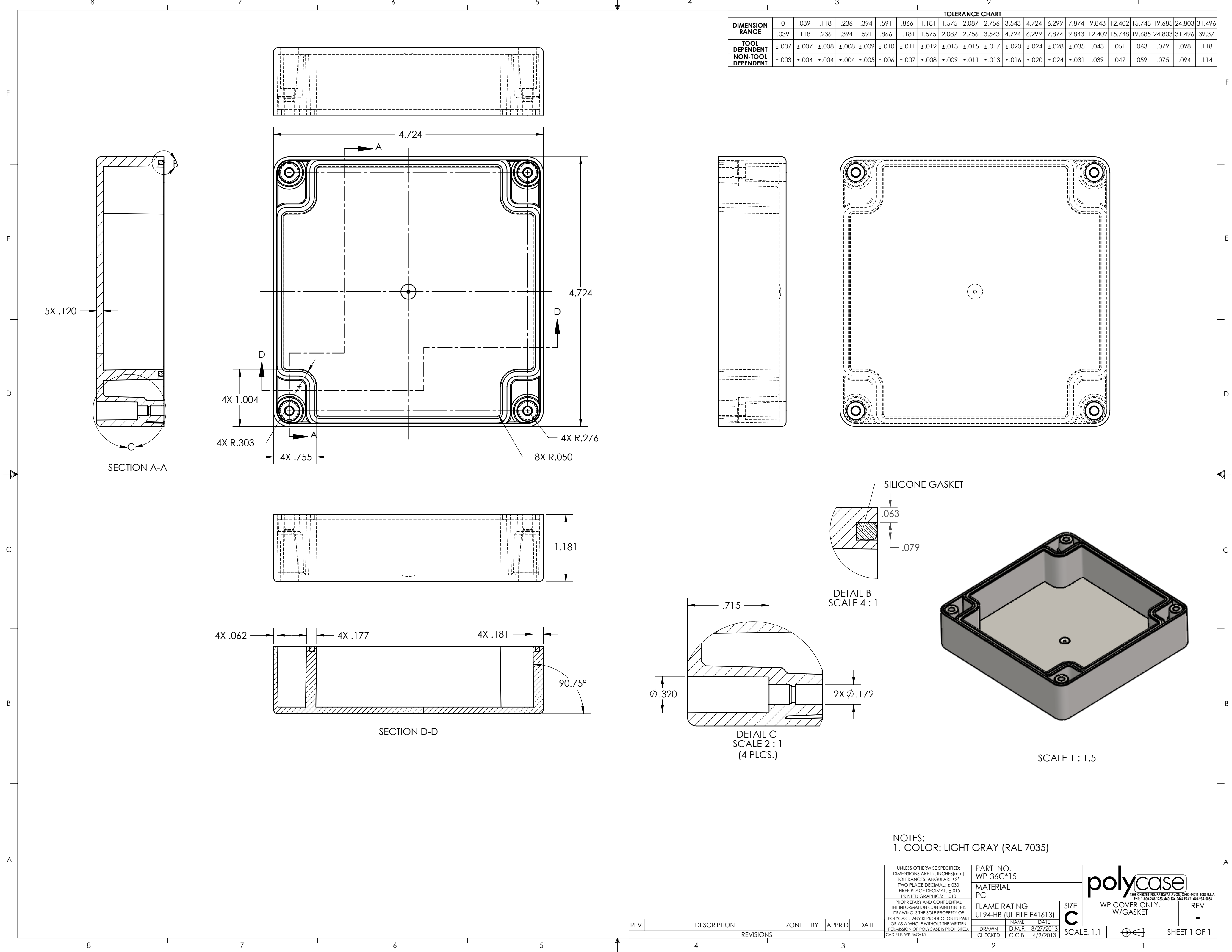


NOTES:
1. COLOR: LIGHT GRAY (RAL 7035)

REV.	DESCRIPTION	ZONE	BY	APPR'D	DATE
REVISIONS					

UNLESS OTHERWISE SPECIFIED: DIMENSIONS ARE IN: INCHES[mm] TOLERANCES: ANGULAR: ±2° TWO PLACE DECIMAL: ± THREE PLACE DECIMAL: ± PRINTED GRAPHICS: ±.010	PART NO. WP-37B*15	 <small>1305 CHESTER RD. PARKWAY AVON, OHIO 44011-1083 U.S.A. PH: 1-800-248-1233 FAX: 440-934-0088</small>						
	MATERIAL PC							
PROPRIETARY AND CONFIDENTIAL THE INFORMATION CONTAINED IN THIS DRAWING IS THE SOLE PROPERTY OF POLYCASE. ANY REPRODUCTION IN PART OR AS A WHOLE WITHOUT THE WRITTEN PERMISSION OF POLYCASE IS PROHIBITED. CAD FILE: WP-37B*15	FLAME RATING UL94-HB (UL FILE E41613)	SIZE C						
	<table border="1"> <tr> <th>NAME</th> <th>DATE</th> </tr> <tr> <td>D.M.F.</td> <td>3/28/2013</td> </tr> <tr> <td>C.C.B.</td> <td>4/8/2013</td> </tr> </table>	NAME	DATE	D.M.F.	3/28/2013	C.C.B.	4/8/2013	WP BASE, W/MOUNTING BOSES
NAME	DATE							
D.M.F.	3/28/2013							
C.C.B.	4/8/2013							
	DRAWN CHECKED	SCALE: 1:1						
		REV -						
		SHEET 1 OF 1						

		TOLERANCE CHART																				
DIMENSION RANGE		0	.039	.118	.236	.394	.591	.866	1.181	1.575	2.087	2.756	3.543	4.724	6.299	7.874	9.843	12.402	15.748	19.685	24.803	31.496
TOOL DEPENDENT		±.007	±.007	±.008	±.008	±.009	±.010	±.011	±.012	±.013	±.015	±.017	±.020	±.024	±.028	±.035	.043	.051	.063	.079	.098	.118
NON-TOOL DEPENDENT		±.003	±.004	±.004	±.004	±.005	±.006	±.007	±.008	±.009	±.011	±.013	±.016	±.020	±.024	±.031	.039	.047	.059	.075	.094	.114

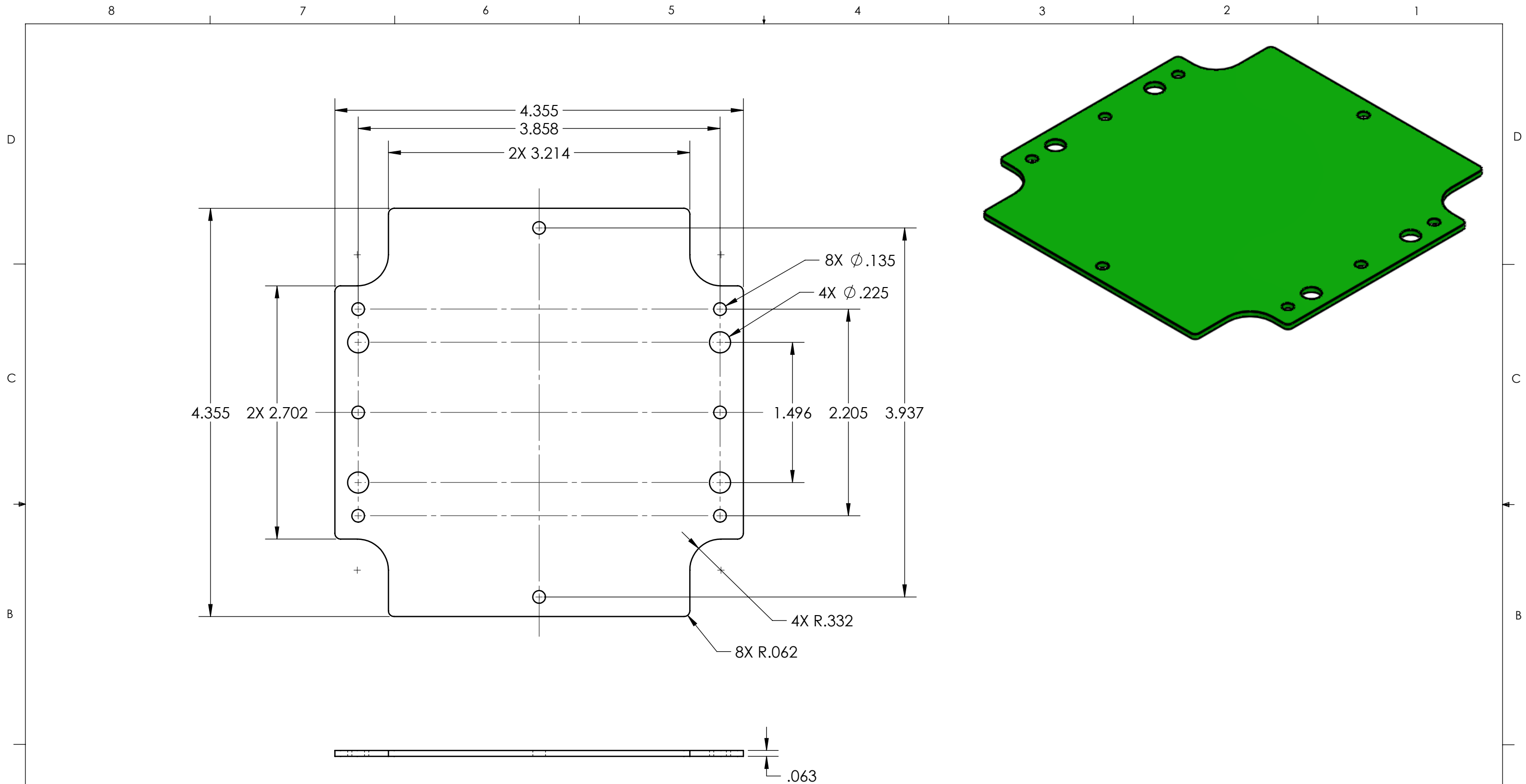


SCALE 1 : 1.5


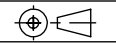
NOTES:
1. COLOR: LIGHT GRAY (RAL 7035)

UNLESS OTHERWISE SPECIFIED: DIMENSIONS ARE IN: INCHES[mm] TOLERANCES: ANGULAR: ±2° TWO PLACE DECIMAL: ±.030 THREE PLACE DECIMAL: ±.015 PRINTED GRAPHICS: ±.010		PART NO. WP-36C*15		 <small>1303 CHESTER RD. PARKWAY AVON, OHIO 44011-1083 U.S.A. PH: 1-800-248-1233 440-934-0444 FAX: 440-934-0088</small>	
PROPRIETARY AND CONFIDENTIAL THE INFORMATION CONTAINED IN THIS DRAWING IS THE SOLE PROPERTY OF POLYCASE. ANY REPRODUCTION IN PART OR AS A WHOLE WITHOUT THE WRITTEN PERMISSION OF POLYCASE IS PROHIBITED. CAD FILE: WP-36C*15		MATERIAL PC			
FLAME RATING UL94-HB (UL FILE E41613)		SIZE C		WP COVER ONLY, W/GASKET	
DRAWN CHECKED		NAME DATE		REV	
D.M.F. C.C.B.		3/27/2013 4/9/2013		SCALE: 1:1	
REVISIONS		ZONE		BY	
APP'R'D		DATE		SHEET 1 OF 1	

REV.	DESCRIPTION	ZONE	BY	APP'R'D	DATE



NOTES:
1. INCLUDES .031 CLEARANCE

UNLESS OTHERWISE SPECIFIED: DIMENSIONS ARE IN: INCHES[mm] TOLERANCES: ANGULAR: $\pm 2^\circ$ TWO PLACE DECIMAL: $\pm .010$ THREE PLACE DECIMAL: $\pm .005$ PRINTED GRAPHICS: $\pm .010$	PART NO. WP-37B*15-PCB		 <small>1305 CHESTER IND. PARKWAY AVON, OHIO 44011-1083 U.S.A. PH#: 1-800-248-1233, 440-934-0444 FAX#: 440-934-0088</small>		
	MATERIAL				
	FLAME RATING	SIZE B	PCB TEMPLATE		REV -
PROPRIETARY AND CONFIDENTIAL THE INFORMATION CONTAINED IN THIS DRAWING IS THE SOLE PROPERTY OF POLYCASE. ANY REPRODUCTION IN PART OR AS A WHOLE WITHOUT THE WRITTEN PERMISSION OF POLYCASE IS PROHIBITED. CAD FILE: WP-37B+15-PCB		DRAWN D.M.F.	DATE 3/27/2013	SCALE: 1:1	
		CHECKED C.C.B.	DATE 4/8/2013	 SHEET 1 OF 1	

REV.	ZONE	DESCRIPTION	BY	APPR'D	DATE
REVISIONS					