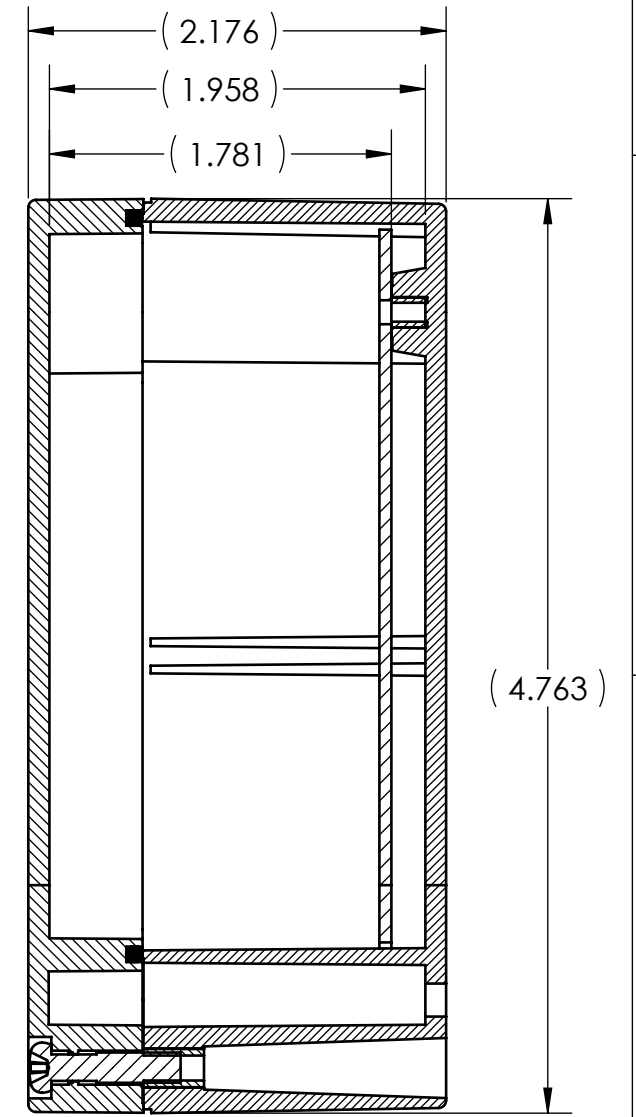
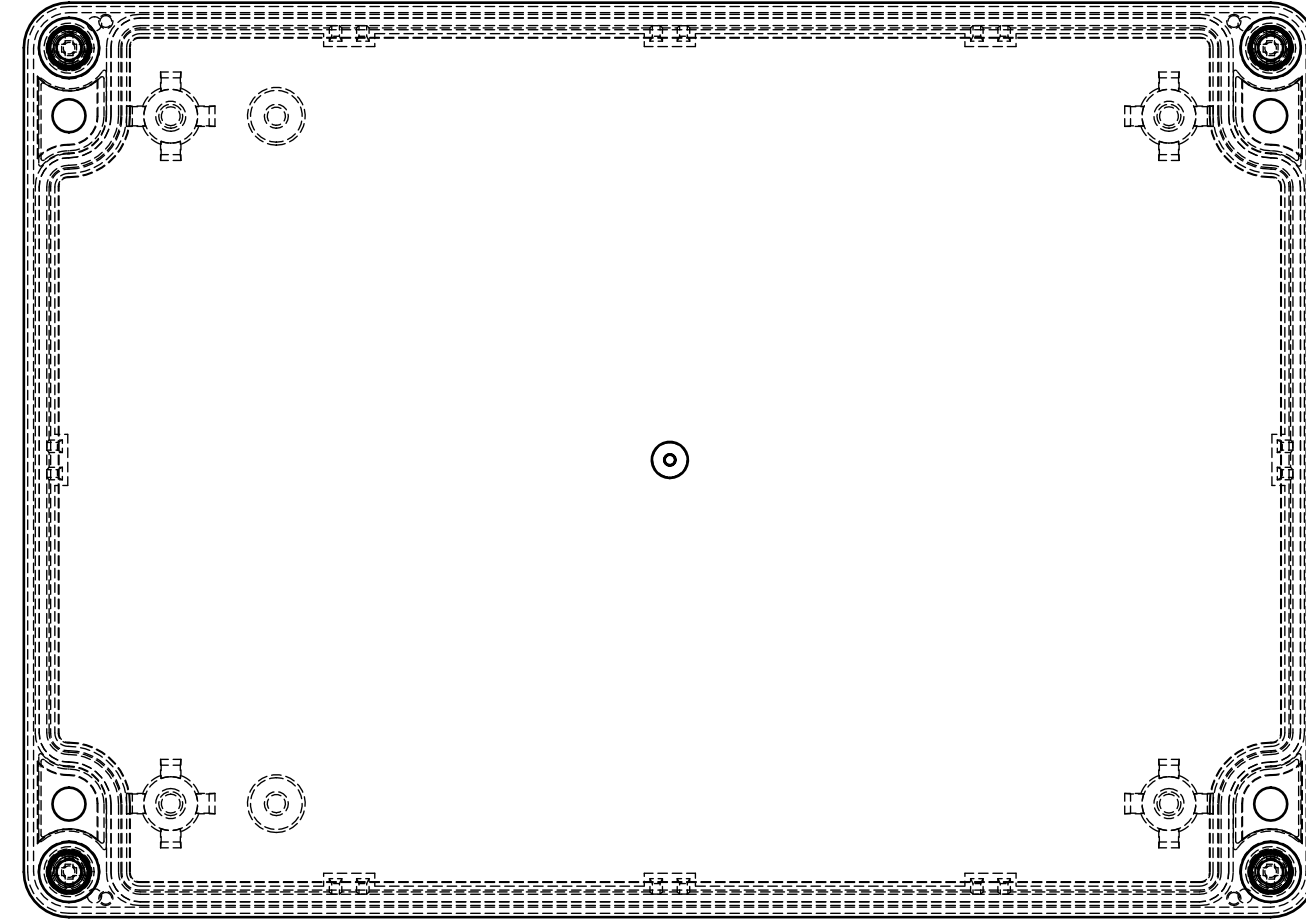
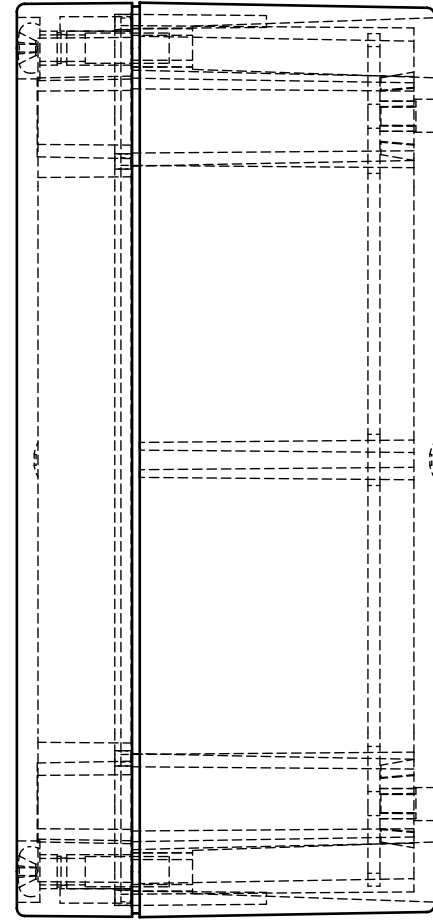
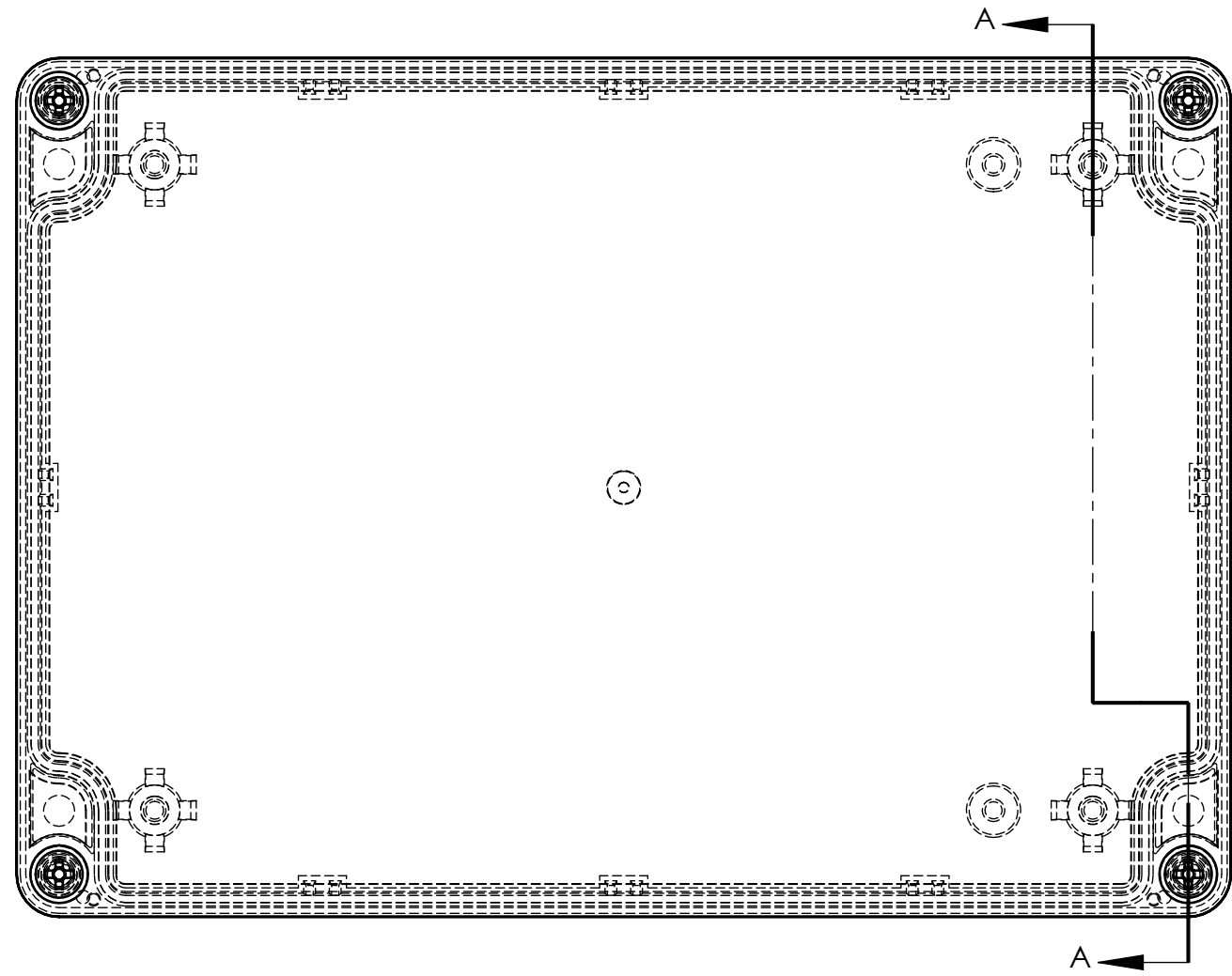
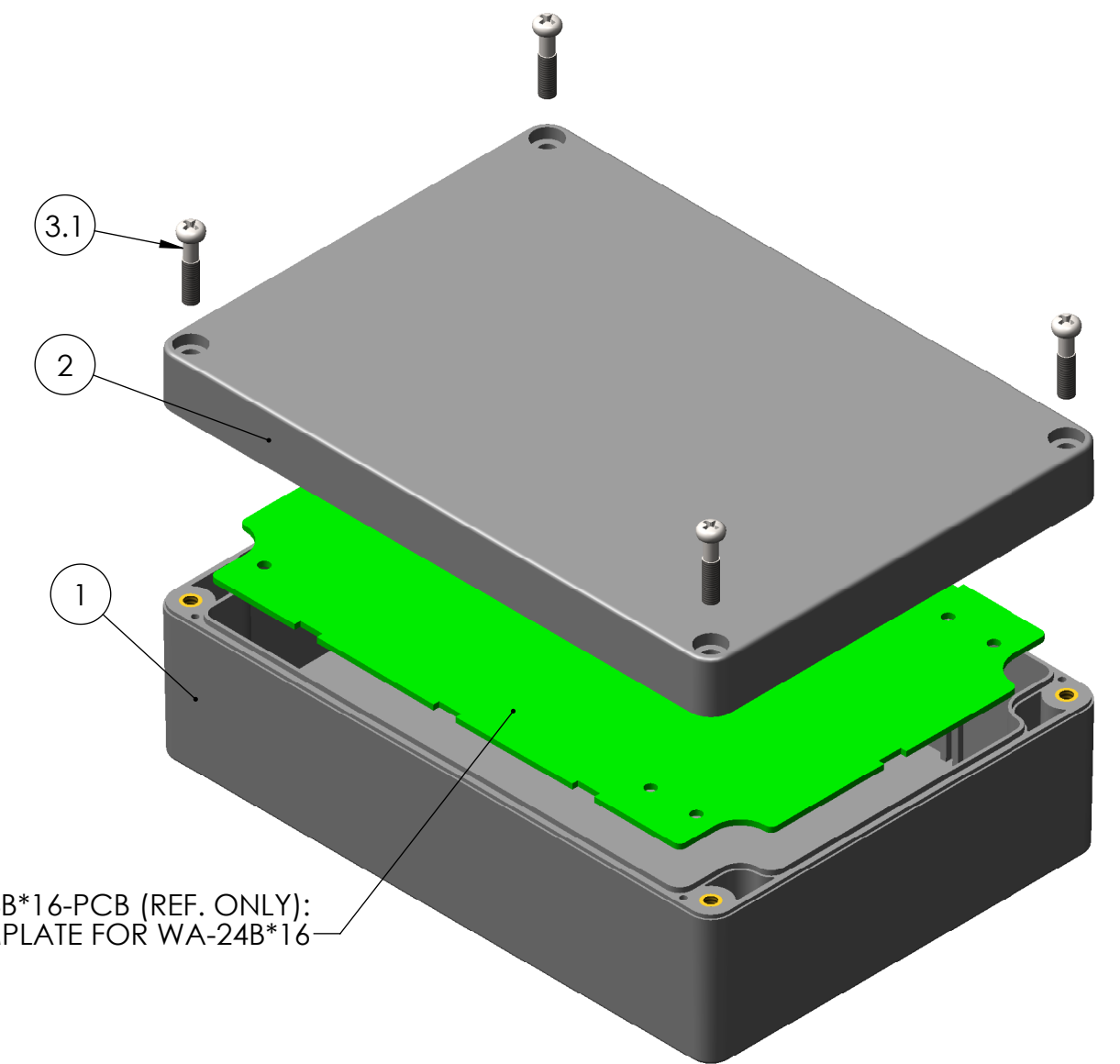
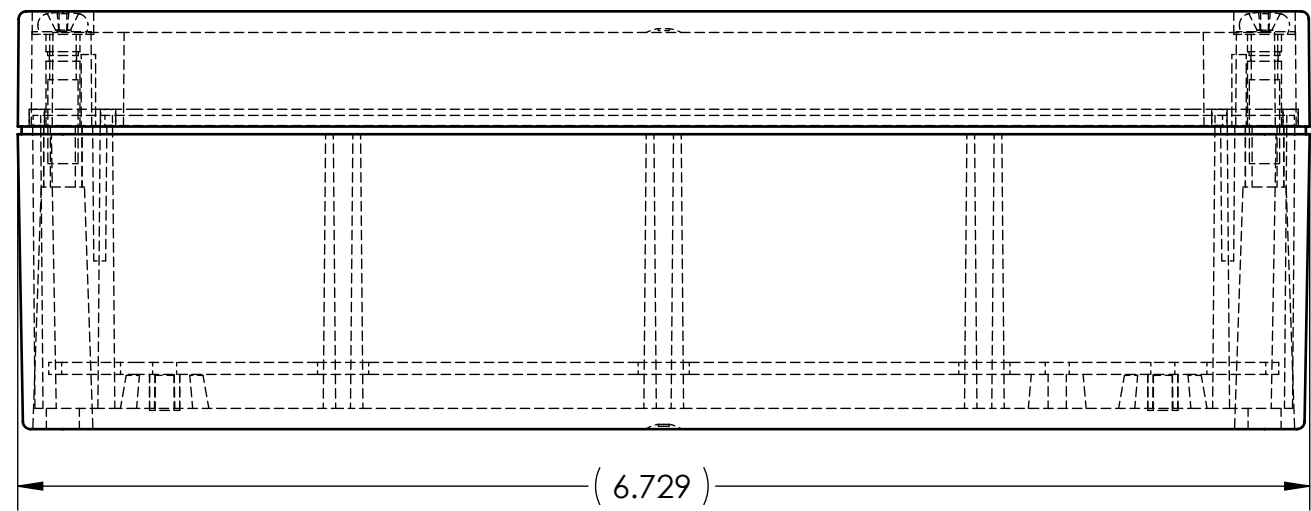


ITEM NO.	PART NUMBER	DESCRIPTION	Material	Color	Flame Rating	QTY.
1	WA-24B*16	WA BASE, W/MOUNTING BOSSES	ABS	DARK GRAY	UL94-HB (UL FILE E56070)	1
2	WA-24C*16	WA COVER, W/GASKET	ABS	DARK GRAY	UL94-HB (UL FILE E56070)	1
3	SCREWS-SSM4-20-4	ASSEMBLY SCREWS, 4 PACK				1
3.1	SCREWS-SSM4-20	M4X0.7 X 20mm OAL, PHILLIPS DRIVE MACHINE SCREW	STAINLESS STEEL			4



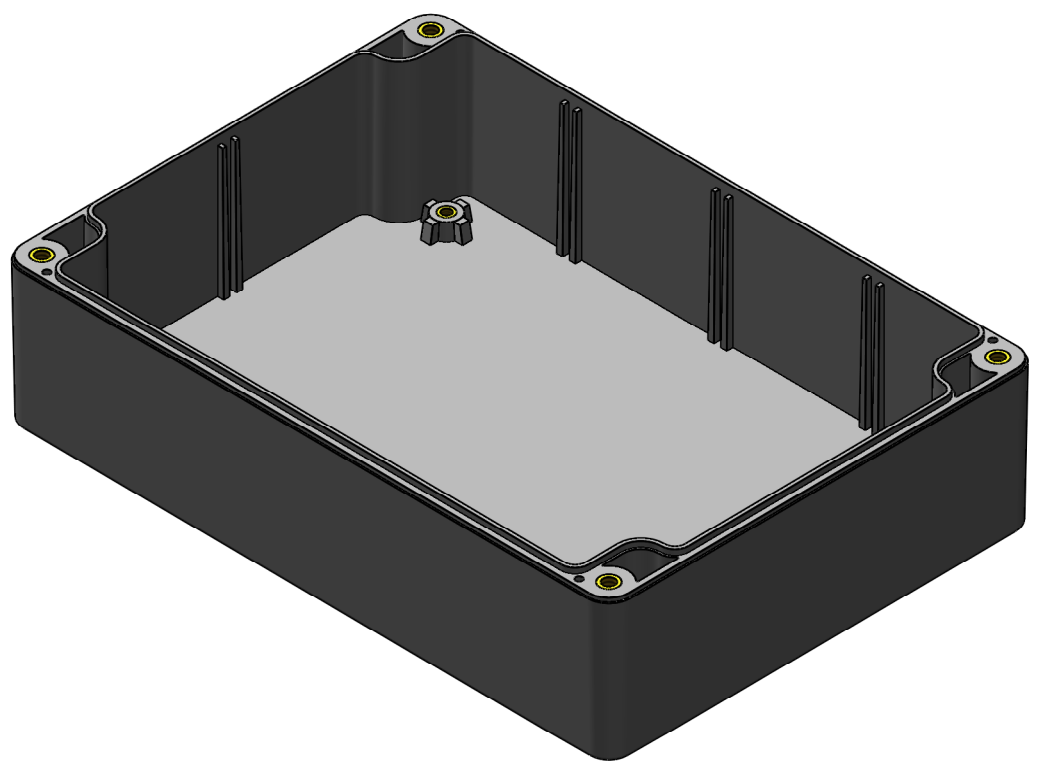
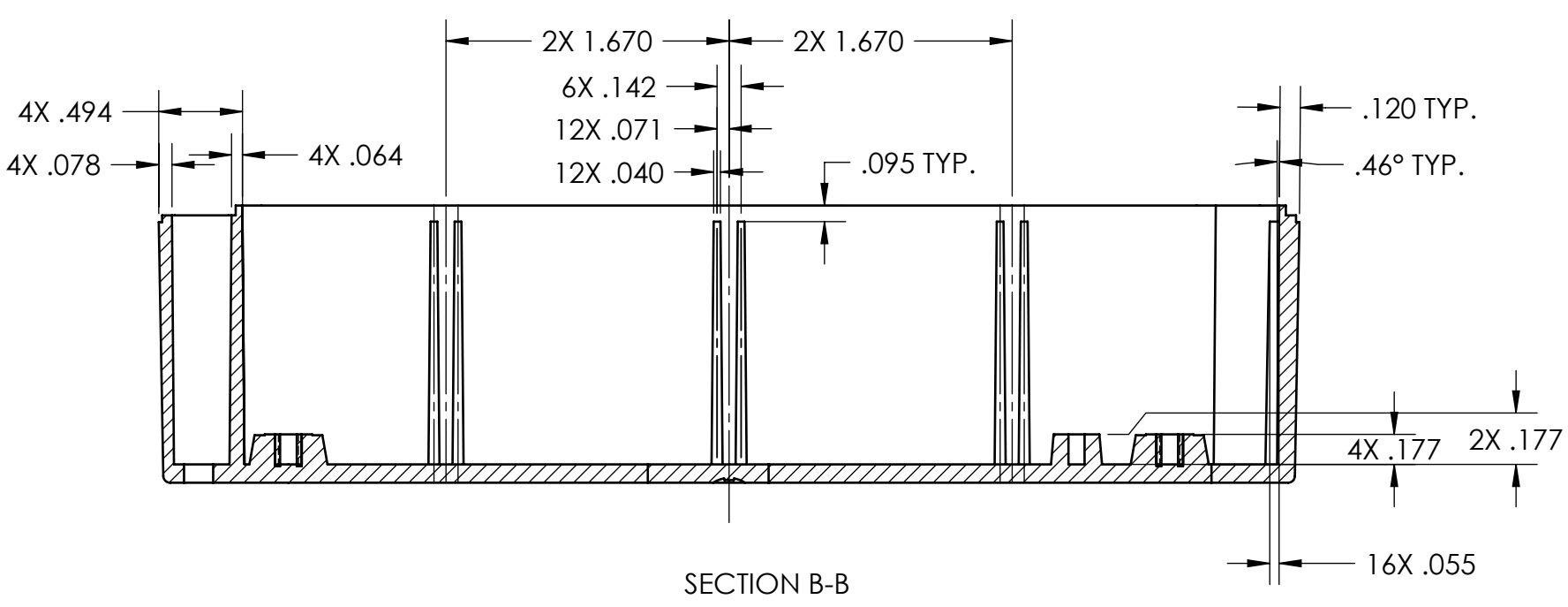
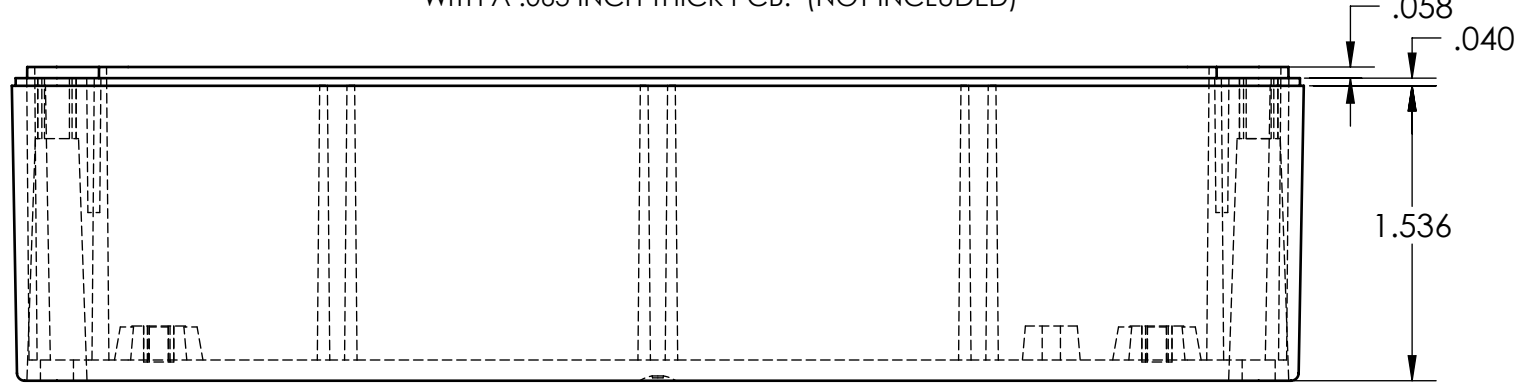
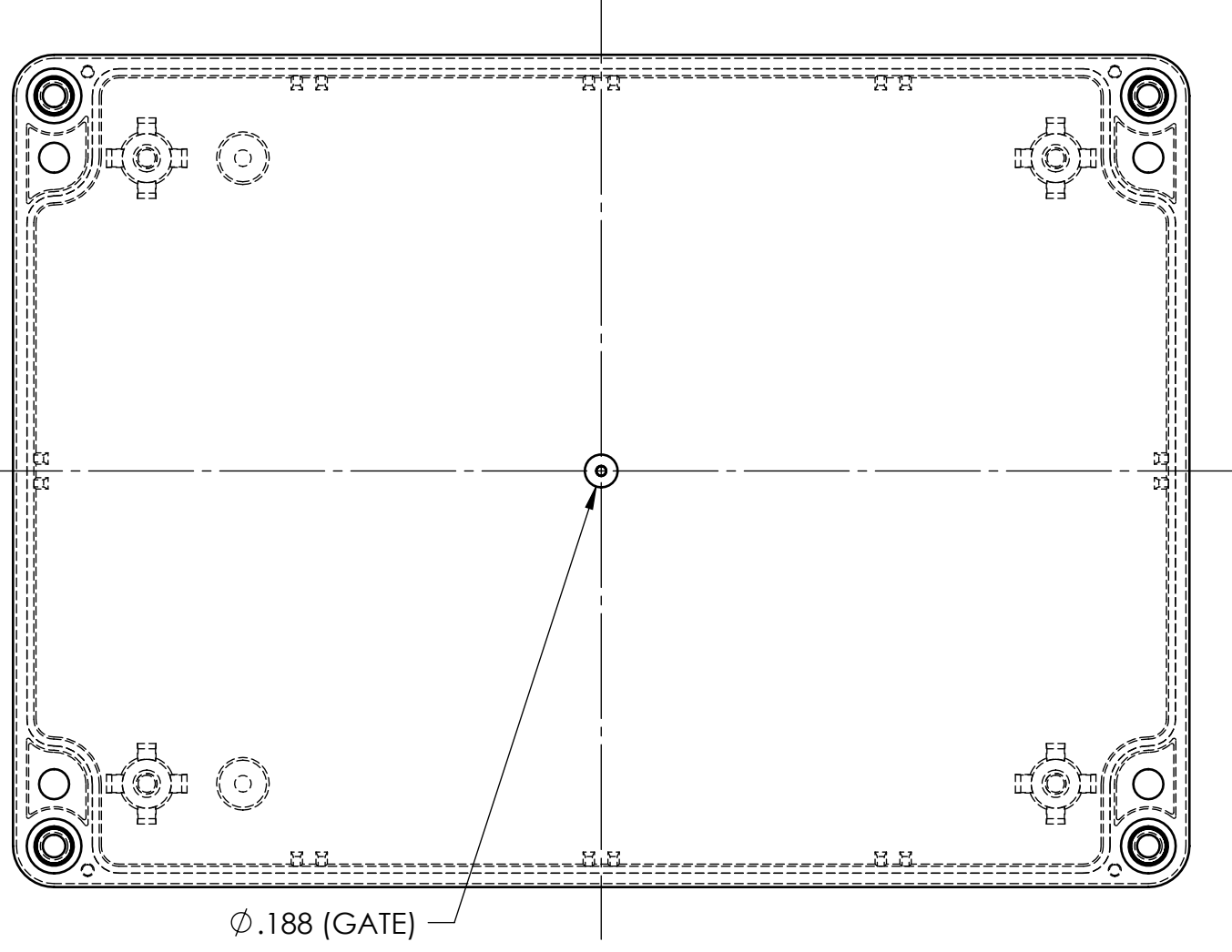
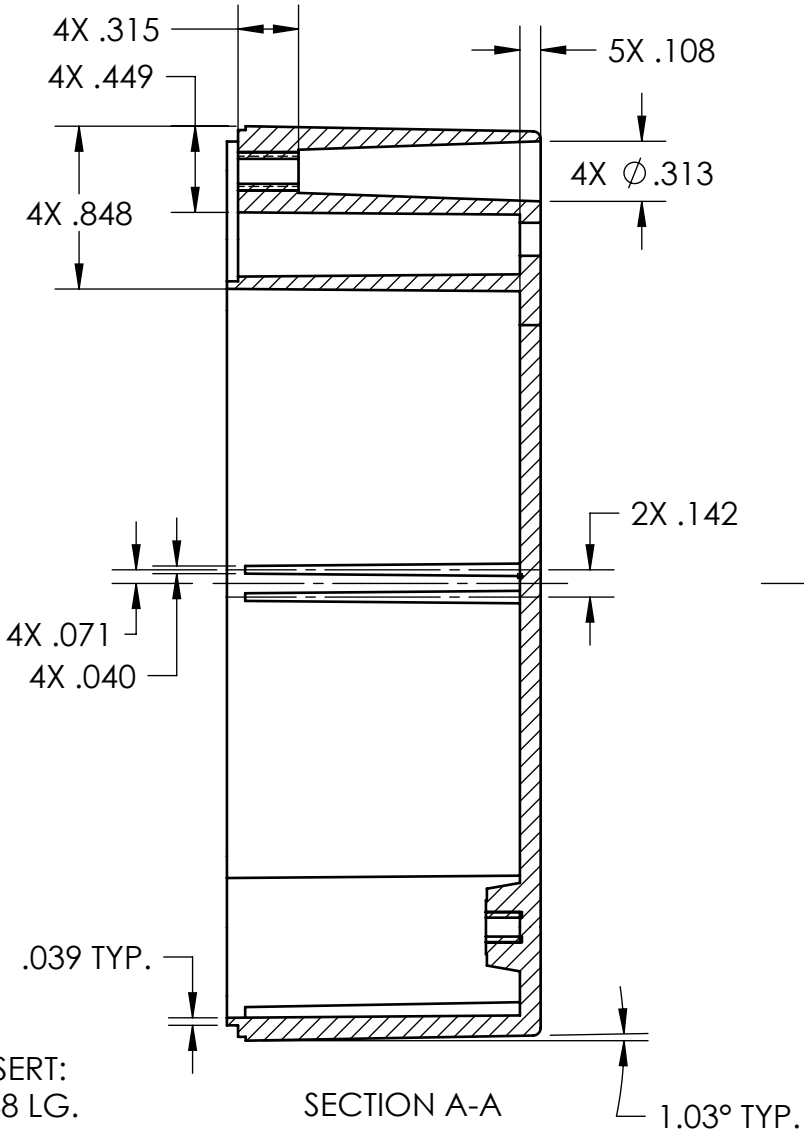
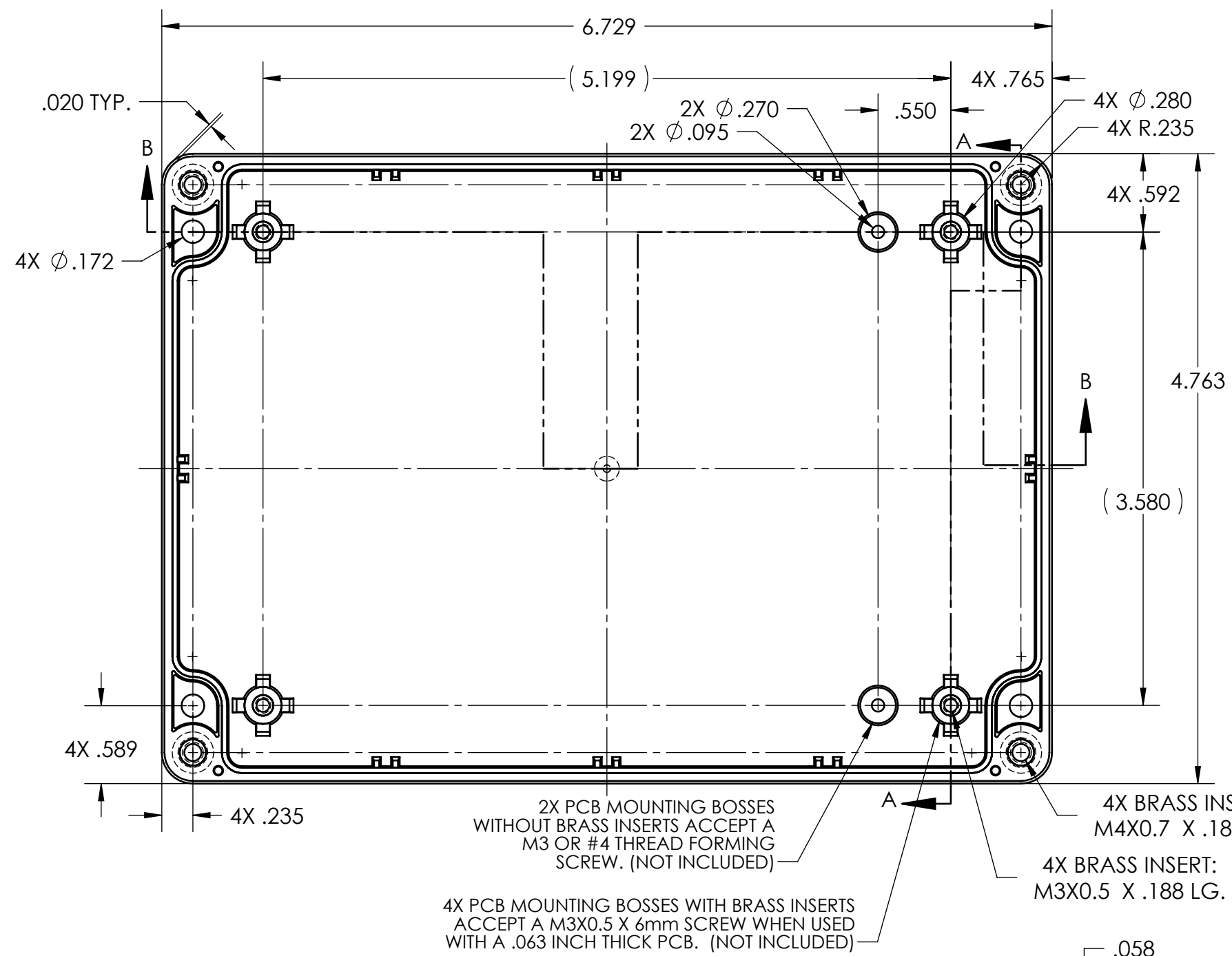
SECTION A-A



WA-24B*16-PCB (REF. ONLY):
PCB TEMPLATE FOR WA-24B*16

- NOTES:
1. SERVICE TEMPERATURE RANGE: -40°C TO 80°C
2. DESIGNED TO NEMA 1, 2, 4, 4X, 12, 13
3. MOUNTING FLANGE KITS ARE AVAILABLE FROM POLYCASE.
4. UL LISTED TO UL508-4X SPECIFICATIONS (UL FILE #E194432).

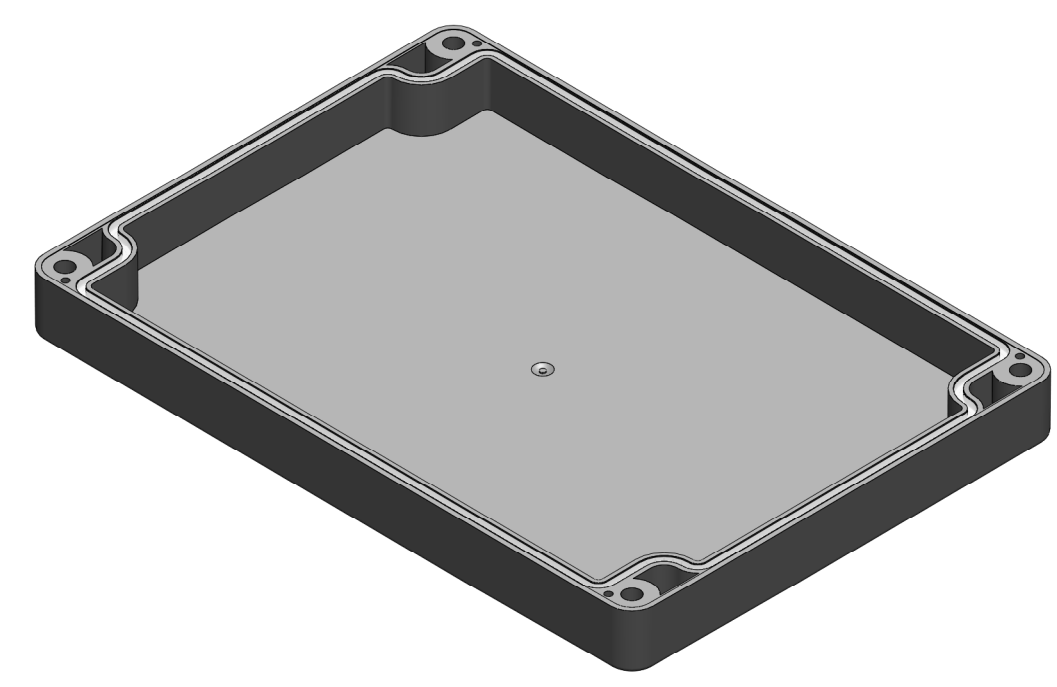
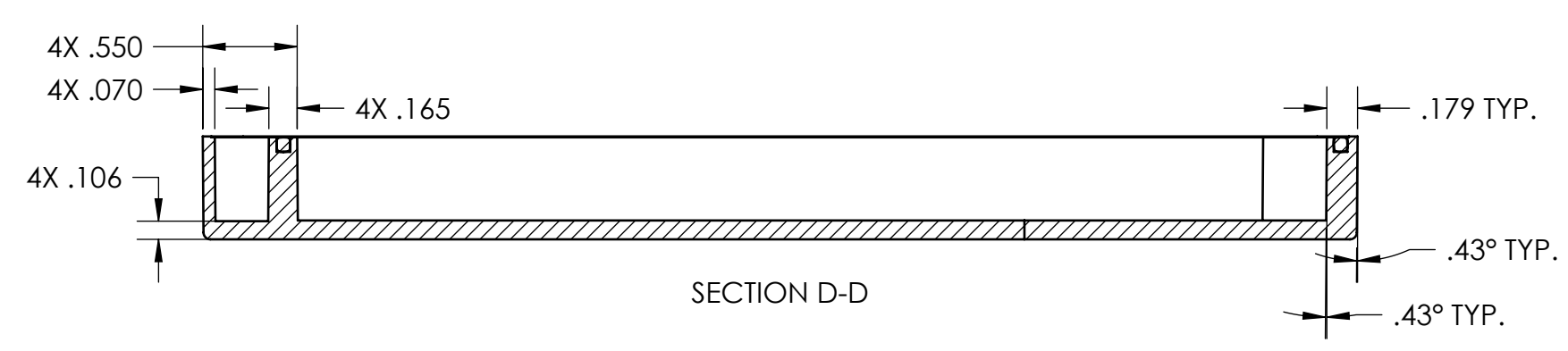
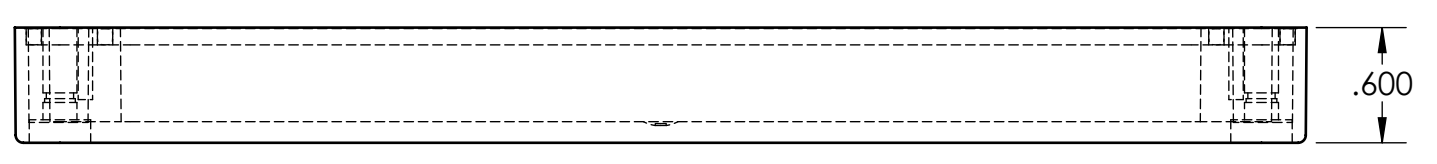
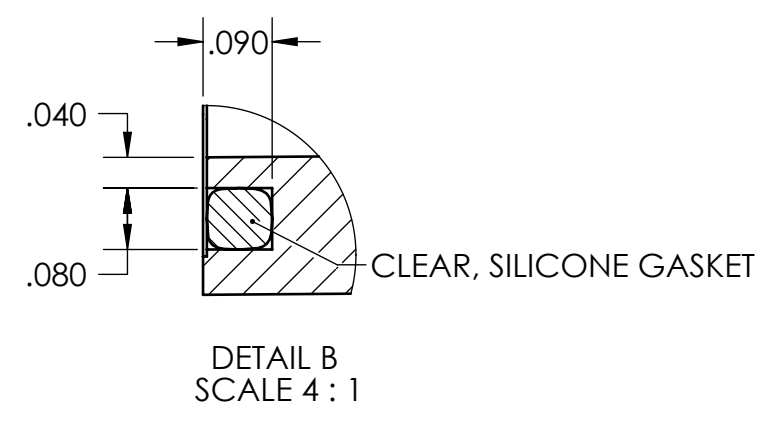
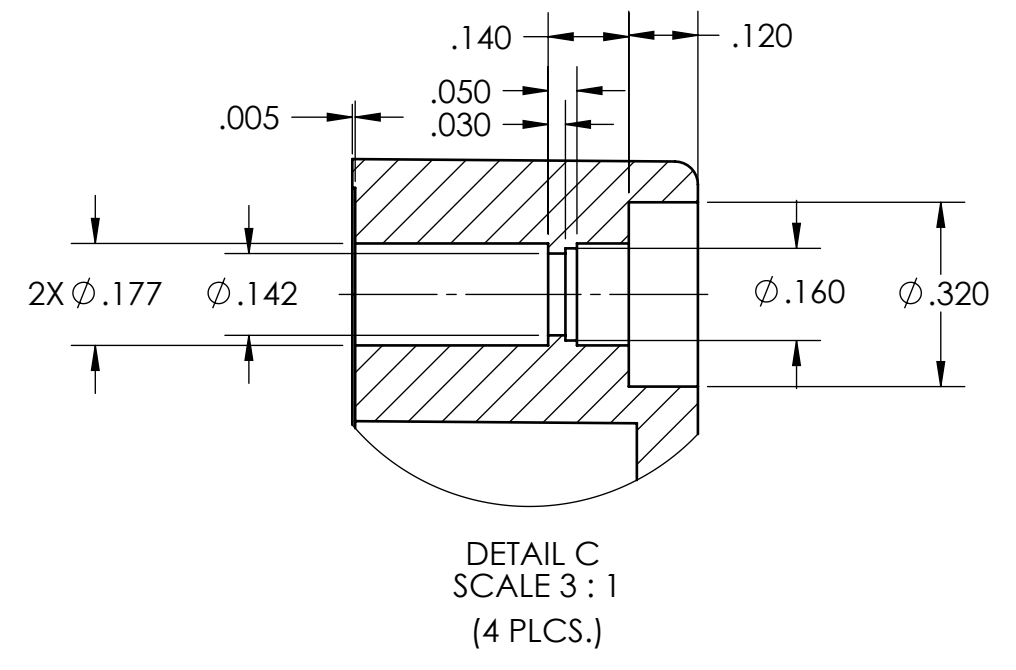
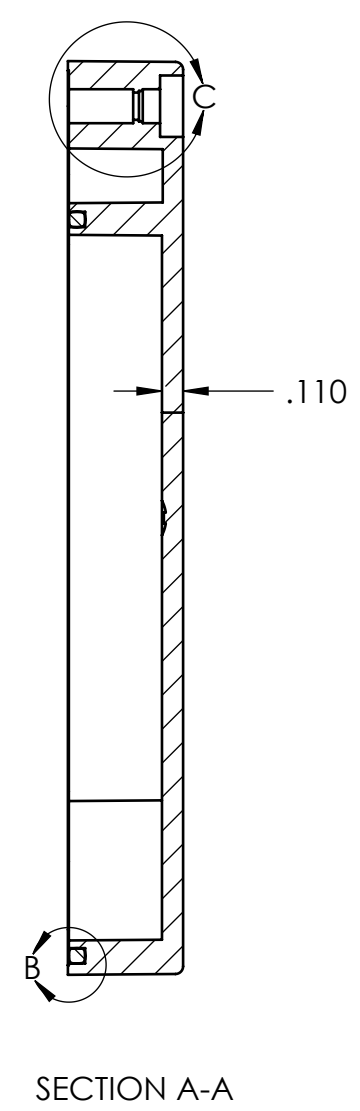
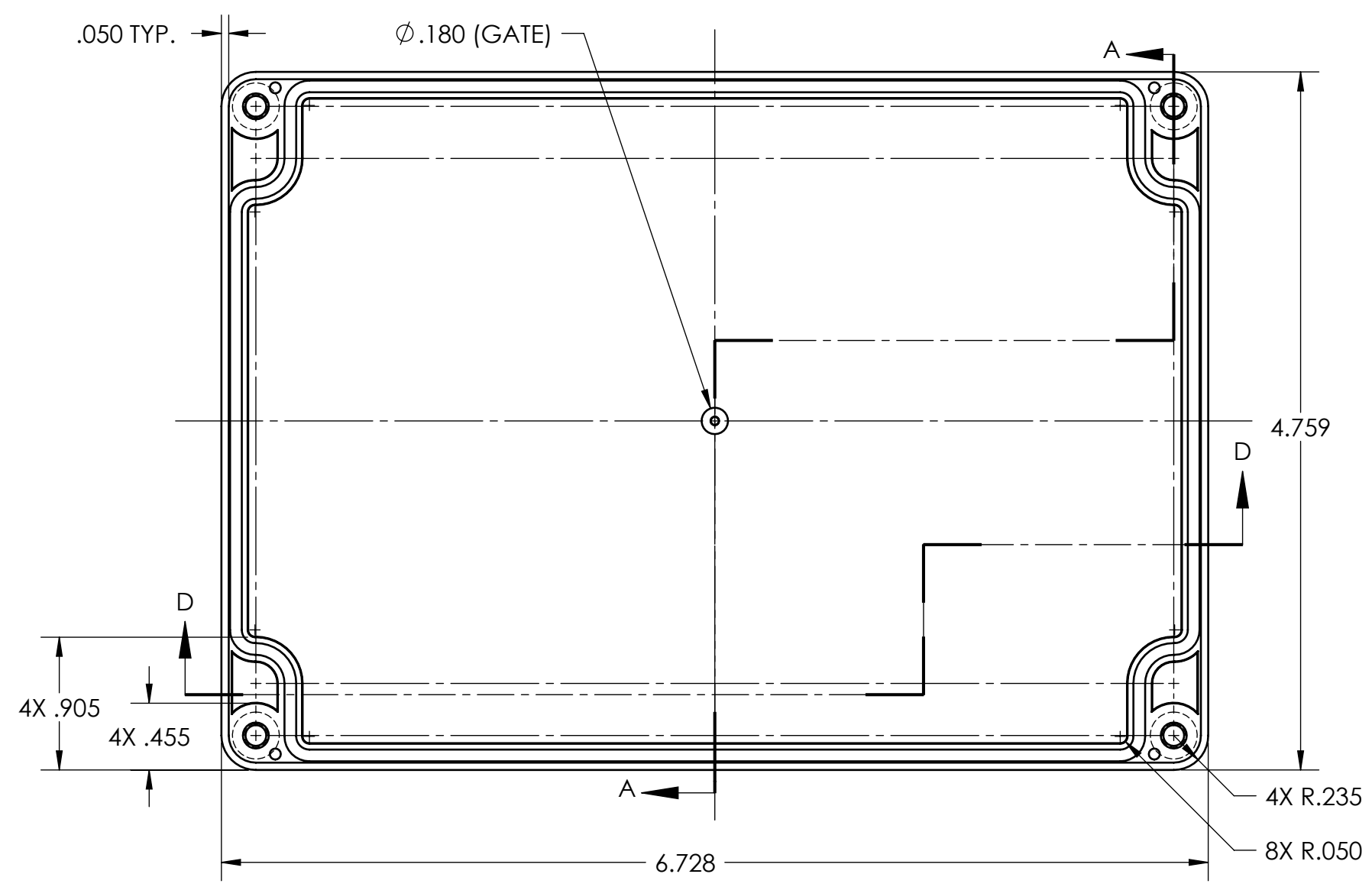
UNLESS OTHERWISE SPECIFIED: DIMENSIONS ARE IN: INCHES[mm] TOLERANCES: ANGULAR: ±2° TWO PLACE DECIMAL: ±.030 THREE PLACE DECIMAL: ±.015 PRINTED GRAPHICS: ±.010		PART NO. WA-24*16		 1303 CHESTER RD. PARKWAY AVON, OHIO 44011-1083 U.S.A. PH: 1-800-248-1233 440-934-0444 FAX: 440-934-0088	
PROPRIETARY AND CONFIDENTIAL THE INFORMATION CONTAINED IN THIS DRAWING IS THE SOLE PROPERTY OF POLYCASE. ANY REPRODUCTION IN PART OR AS A WHOLE WITHOUT THE WRITTEN PERMISSION OF POLYCASE IS PROHIBITED. CAD FILE: WA-24*16		MATERIAL			
FLAME RATING UL94-HB		SIZE C		WA UNIT, W/MOUNTING BOSSES, WITH GASKET, DARK GRAY	
DRAWN CHECKED		NAME DATE D.M.F. 8/2/2010 B.M.B. 7/7/2011		SCALE: 1:1	
REVISIONS		ZONE BY APPR'D DATE		SHEET 1 OF 1	



NOTES:
1. COLOR: DARK GRAY

UNLESS OTHERWISE SPECIFIED: DIMENSIONS ARE IN: INCHES[mm] TOLERANCES: ANGULAR: ±2° TWO PLACE DECIMAL: ±.030 THREE PLACE DECIMAL: ±.015 PRINTED GRAPHICS: ±.010	PART NO. WA-24B*16		SIZE C	WA BASE, W/MOUNTING BOSES	REV -01
	MATERIAL ABS				
PROPRIETARY AND CONFIDENTIAL THE INFORMATION CONTAINED IN THIS DRAWING IS THE SOLE PROPERTY OF POLYCASE. ANY REPRODUCTION IN PART OR AS A WHOLE WITHOUT THE WRITTEN PERMISSION OF POLYCASE IS PROHIBITED. CAD FILE: WA-24B*16	FLAME RATING UL94-HB (UL FILE E56070)		SCALE: 1:1	SHEET 1 OF 1	
	DRAWN CHECKED	NAME DATE			

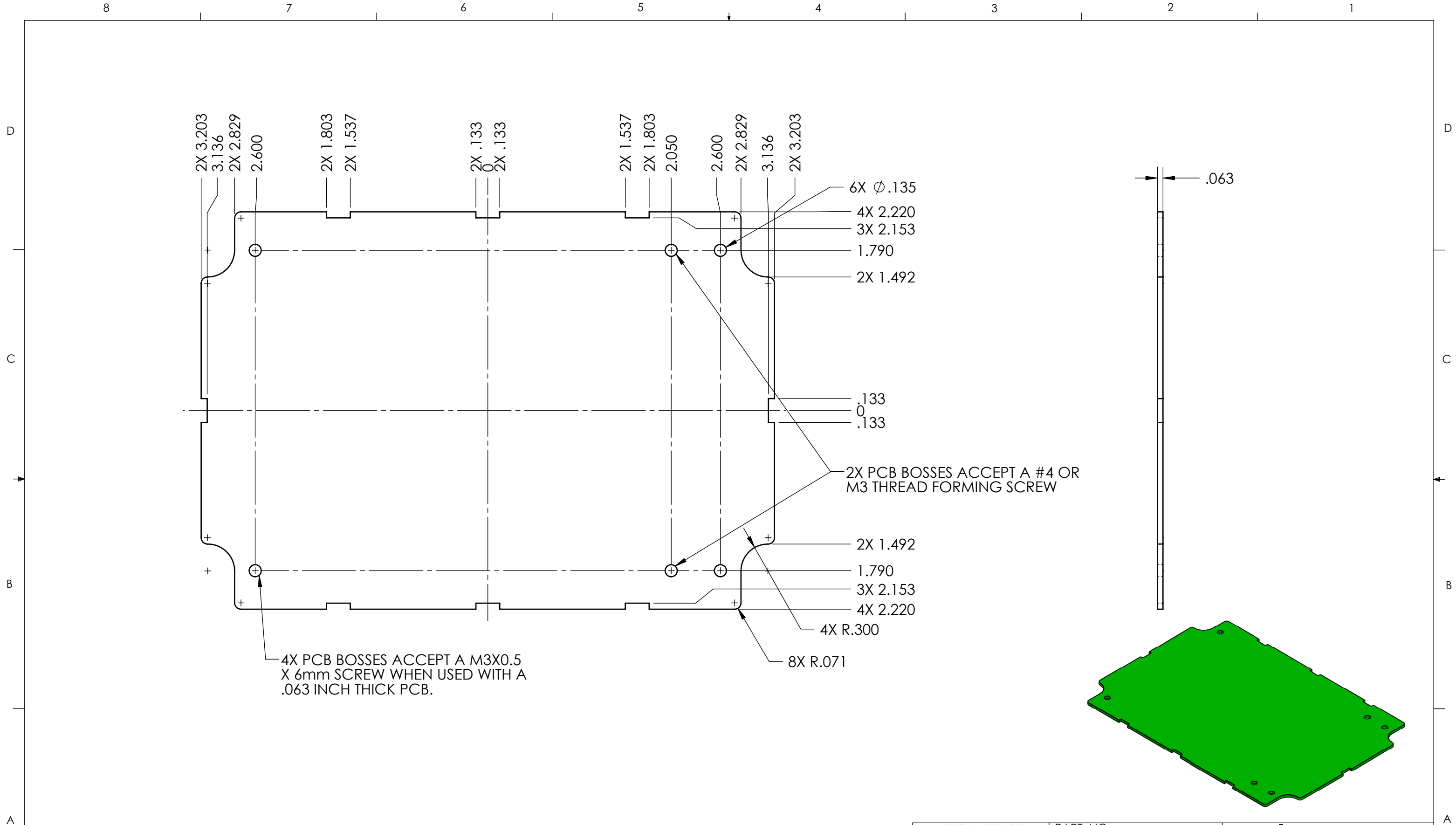





NOTES:
1. COLOR: DARK GRAY

UNLESS OTHERWISE SPECIFIED: DIMENSIONS ARE IN: INCHES[mm] TOLERANCES: ANGULAR: ±2° TWO PLACE DECIMAL: ±.030 THREE PLACE DECIMAL: ±.015 PRINTED GRAPHICS: ±.010		PART NO. WA-24C*16		 <small>1305 CHESTER RD. PARKWAY AVON, OHIO 44011-1083 U.S.A. PH: 1-800-248-1233 440-934-0444 FAX: 440-934-0088</small>					
PROPRIETARY AND CONFIDENTIAL THE INFORMATION CONTAINED IN THIS DRAWING IS THE SOLE PROPERTY OF POLYCASE. ANY REPRODUCTION IN PART OR AS A WHOLE WITHOUT THE WRITTEN PERMISSION OF POLYCASE IS PROHIBITED. CAD FILE: WA-24C*16		MATERIAL ABS				FLAME RATING UL94-HB (UL FILE E56070)	SIZE C		
REV.	DESCRIPTION	ZONE	BY	APPR'D	DATE	DRAWN CHECKED NAME DATE D.M.F. 8/2/2010 B.M.B. 9/24/2010	SCALE: 1:1	WA COVER, W/GASKET REV -	SHEET 1 OF 1

REV.	DESCRIPTION	ZONE	BY	APPR'D	DATE
REVISIONS					



NOTES:
 1. INCLUDES .031 CLEARANCE FROM INTERIOR OF WA-24B*16.

UNLESS OTHERWISE SPECIFIED: DIMENSIONS ARE IN: INCHES[mm] TOLERANCES: ANGULAR: ±2° TWO PLACE DECIMAL: ±.010 THREE PLACE DECIMAL: ±.005 PRINTED GRAPHICS: ±.010	PART NO. WA-24B*16-PCB		 <small>1305 CHESTER IND. PARKWAY AVON, OHIO 44011-1083 U.S.A. PH#: 1-800-248-1233, 440-934-0444 FAX#: 440-934-0088</small>
	MATERIAL		
PROPRIETARY AND CONFIDENTIAL THE INFORMATION CONTAINED IN THIS DRAWING IS THE SOLE PROPERTY OF POLYCASE. ANY REPRODUCTION IN PART OR AS A WHOLE WITHOUT THE WRITTEN PERMISSION OF POLYCASE IS PROHIBITED. CAD FILE: WA-24B+16-PCB	FLAME RATING	SIZE B	PCB TEMPLATE
	DRAWN D.M.F.	NAME D.M.F.	DATE 8/2/2010
CHECKED B.M.B.	DATE 7/7/2011	SCALE: 1:1	SHEET 1 OF 1