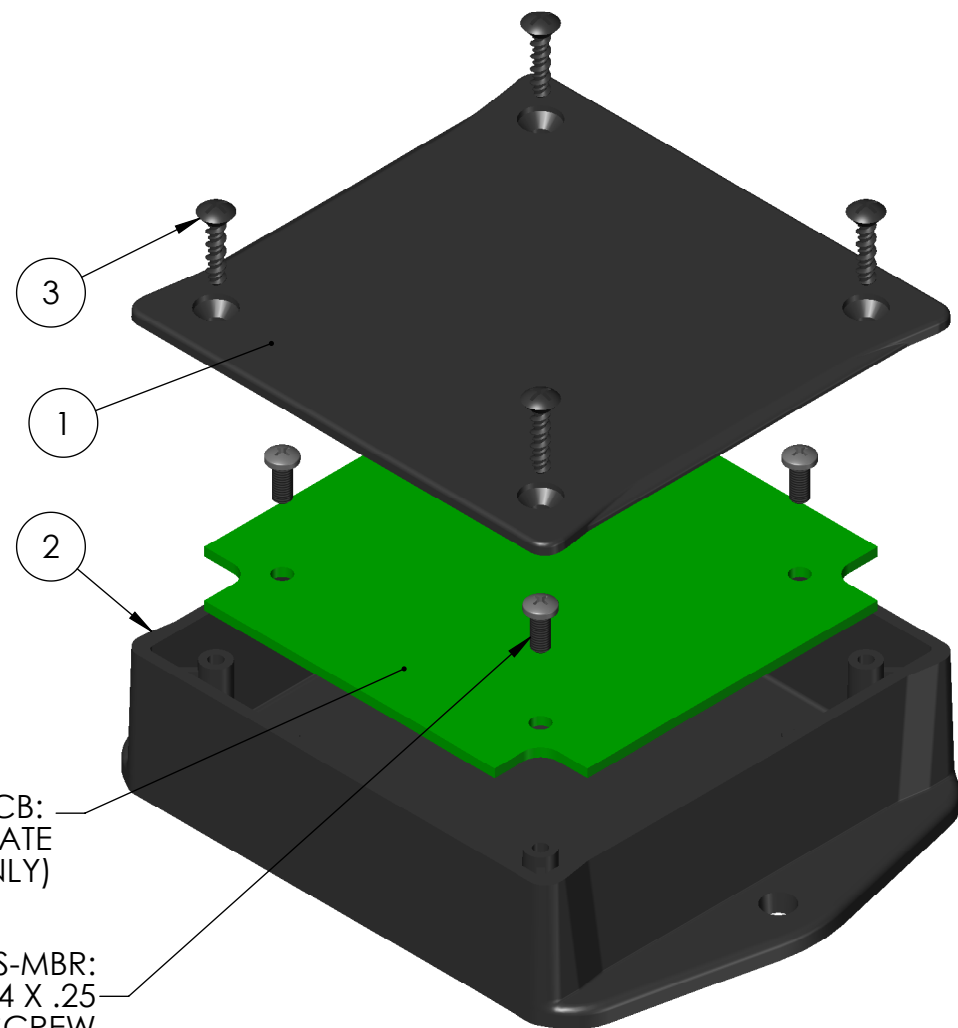
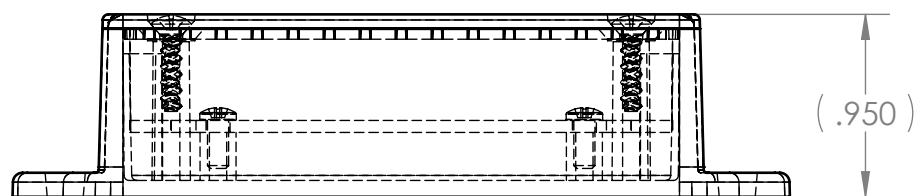
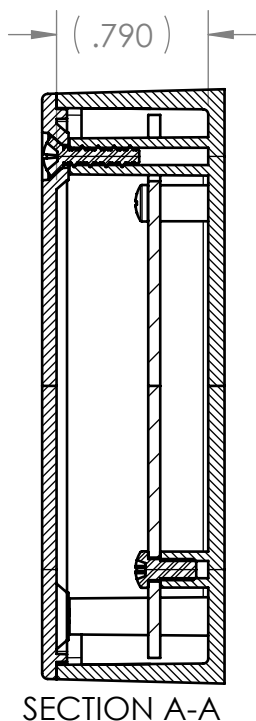
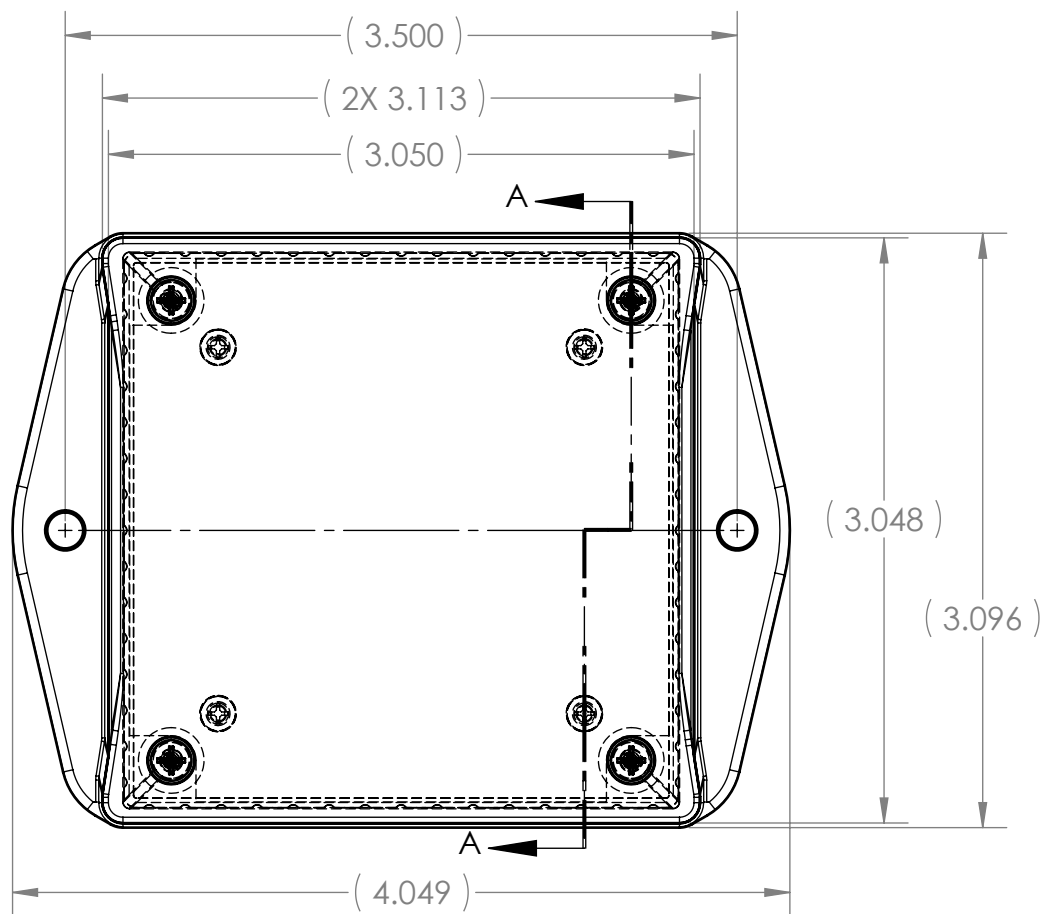


ITEM NO.	PART NUMBER	Material	DESCRIPTION	BT-3308MB/QTY.
1	BT-33C	ABS	BT SERIES COVER, BLACK	1
2	BT-3308BMB	ABS	BASE, BLACK, WITH PCB BOSSES	1
3	SCREWS-LP-BR	STEEL	4-24 X .5 CROSS OVAL C'SUNK HEAD THREAD FORMING SCREW	4



BT-3308BMB-PCB:
PCB TEMPLATE
(REF. ONLY)

(4) SCREWS-MBR:
PCB SCREW: 4-24 X .25
THREAD FORMING SCREW
(SOLD SEPARATELY)

- NOTES:
1. PCB BOSSES ACCEPT A #4 X .25 THREAD FORMING SCREW. SCREWS ARE AVAILABLE FROM POLYCASE.
 2. FLAME RATING: UL94V-0

REV.	DESCRIPTION	ZONE	BY	APPR'D	DATE
REVISIONS					

UNLESS OTHERWISE SPECIFIED:
DIMENSIONS ARE IN: INCHES [mm]
TOLERANCES: ANGULAR: ±2°
TWO PLACE DECIMAL: ±.030
THREE PLACE DECIMAL: ±.015
PRINTED GRAPHICS: ±.010

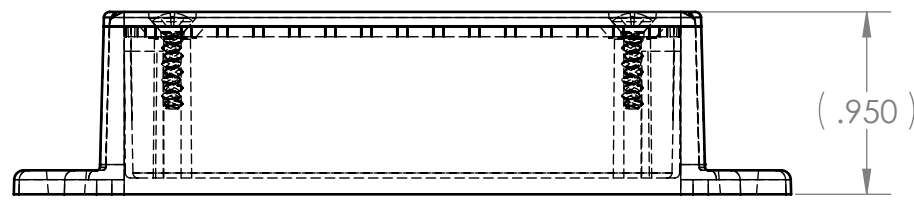
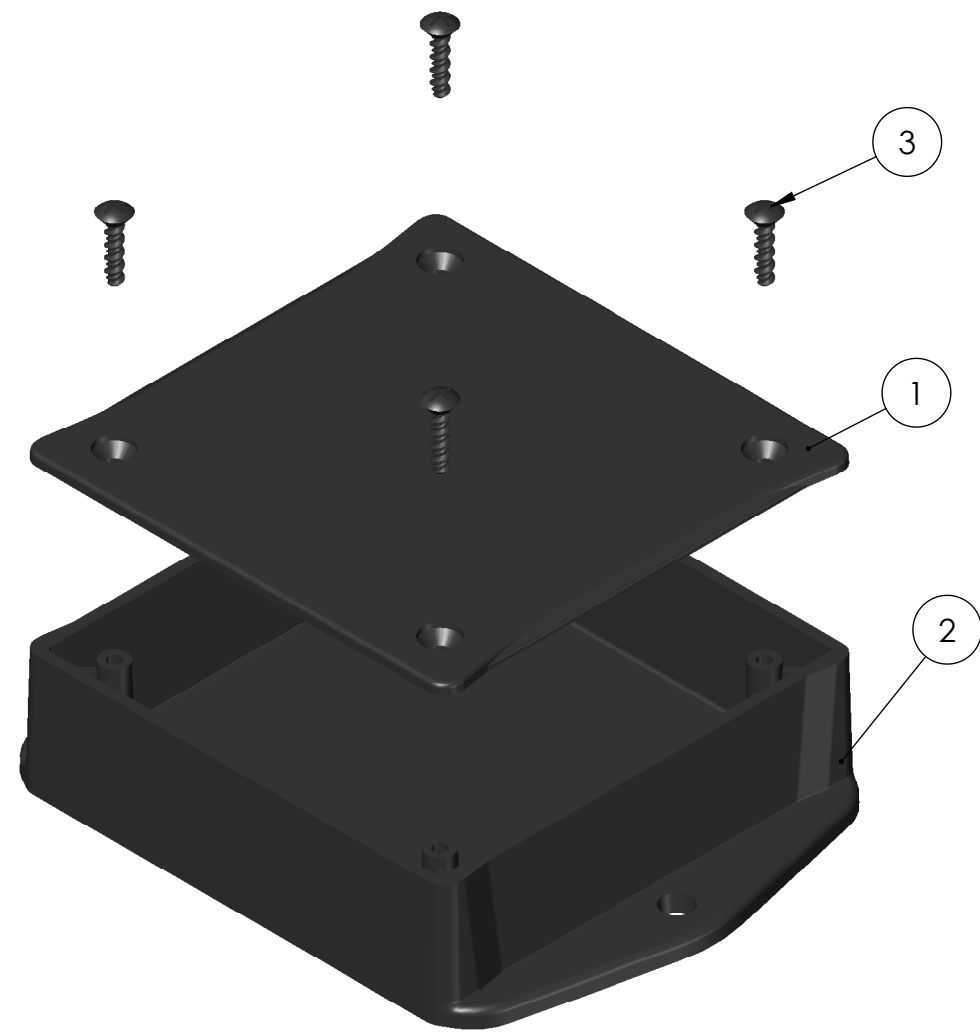
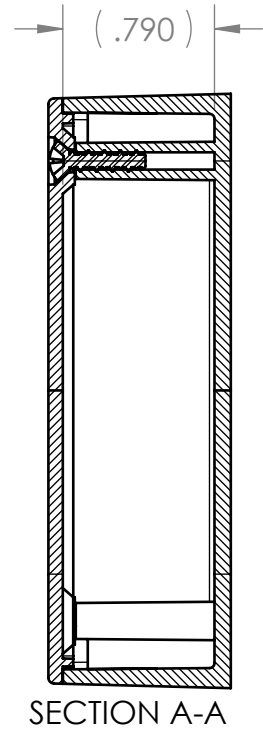
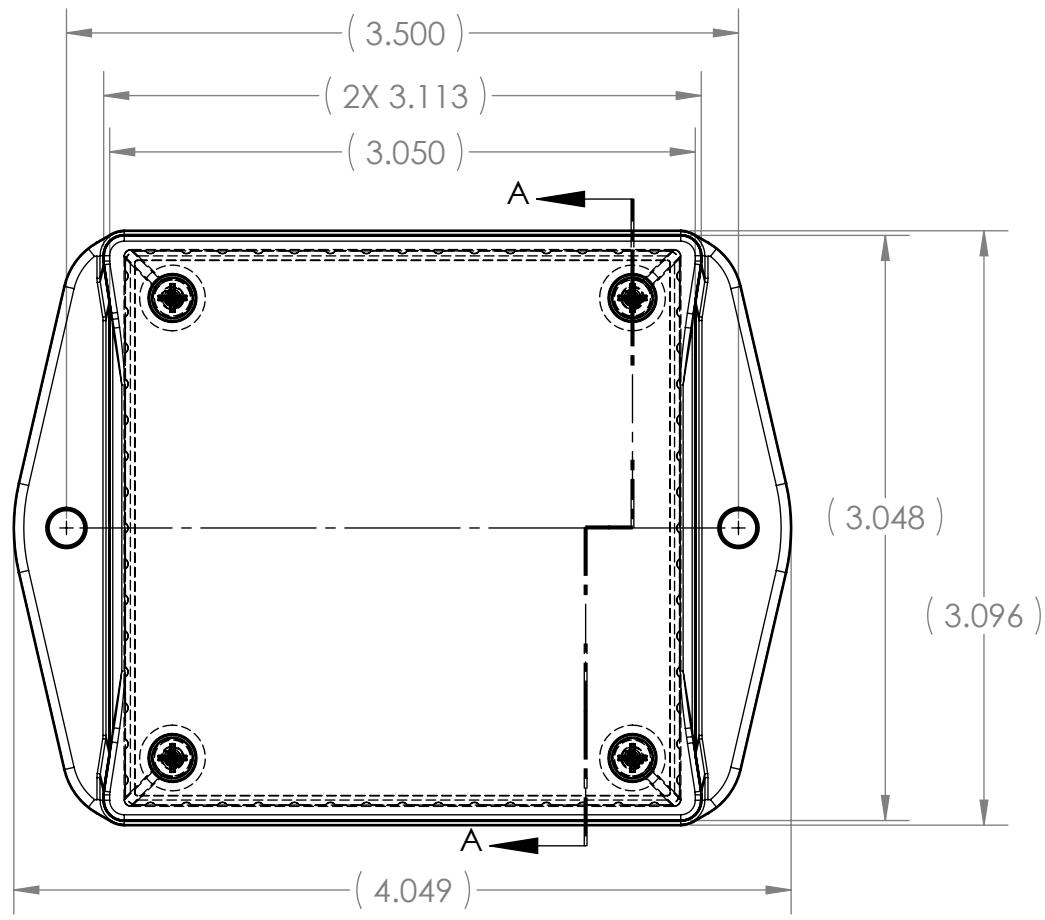
PROPRIETARY AND CONFIDENTIAL
THE INFORMATION CONTAINED IN THIS
DRAWING IS THE SOLE PROPERTY OF
POLYCASE. ANY REPRODUCTION IN PART
OR AS A WHOLE WITHOUT THE WRITTEN
PERMISSION OF POLYCASE IS PROHIBITED.
CAD FILE: BT-3308MB ASS'Y

PART NO. BT-3308MB		
PRODUCT -		
CLIENT -	NAME D.M.F.	DATE 12/23/2009
DRAWN CHECKED	B.M.B.	11/3/2010


polycase
1305 CHESTER IND. PARKWAY AVON, OHIO 44011-1083 U.S.A.
PH#: 1-800-248-1233, 440-934-0444 FAX#: 440-934-0088

SIZE B	BT SERIES ASSEMBLY, BLACK, WITH PCB BOSSES	REV -
SCALE: 1:1	SHEET 1 OF 1	

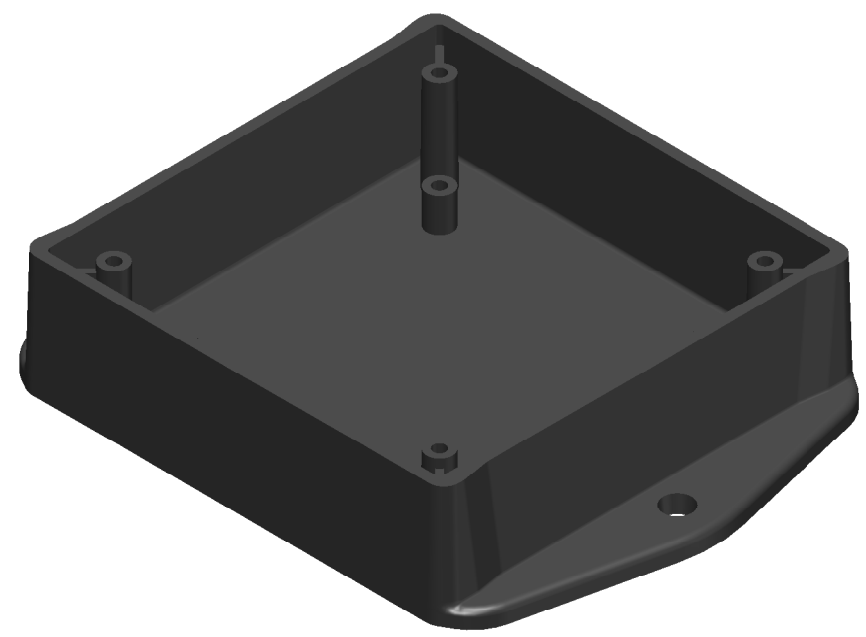
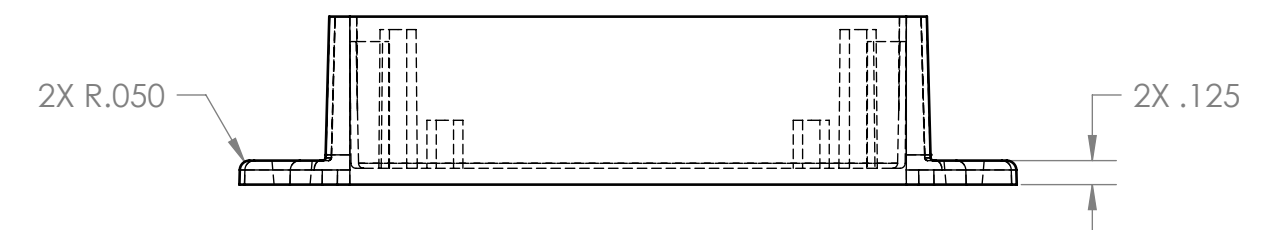
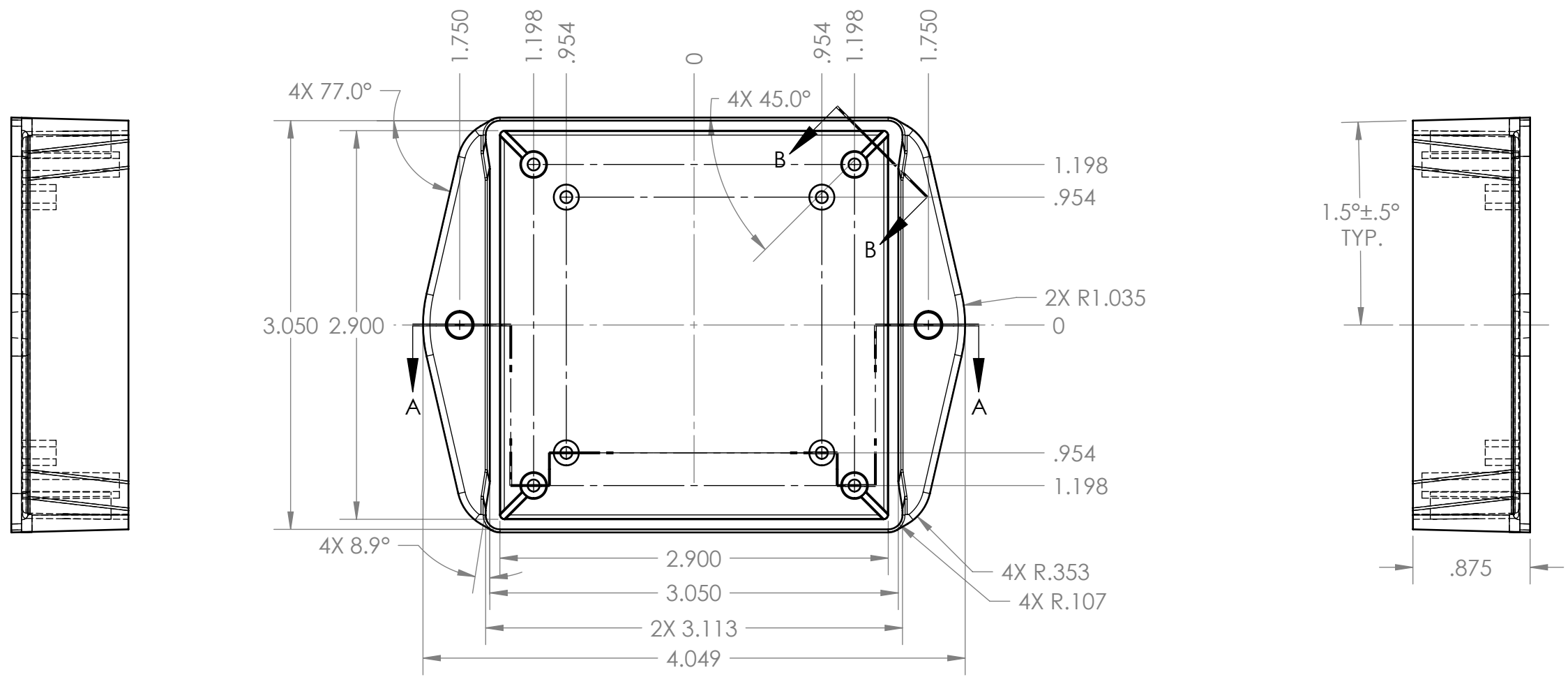
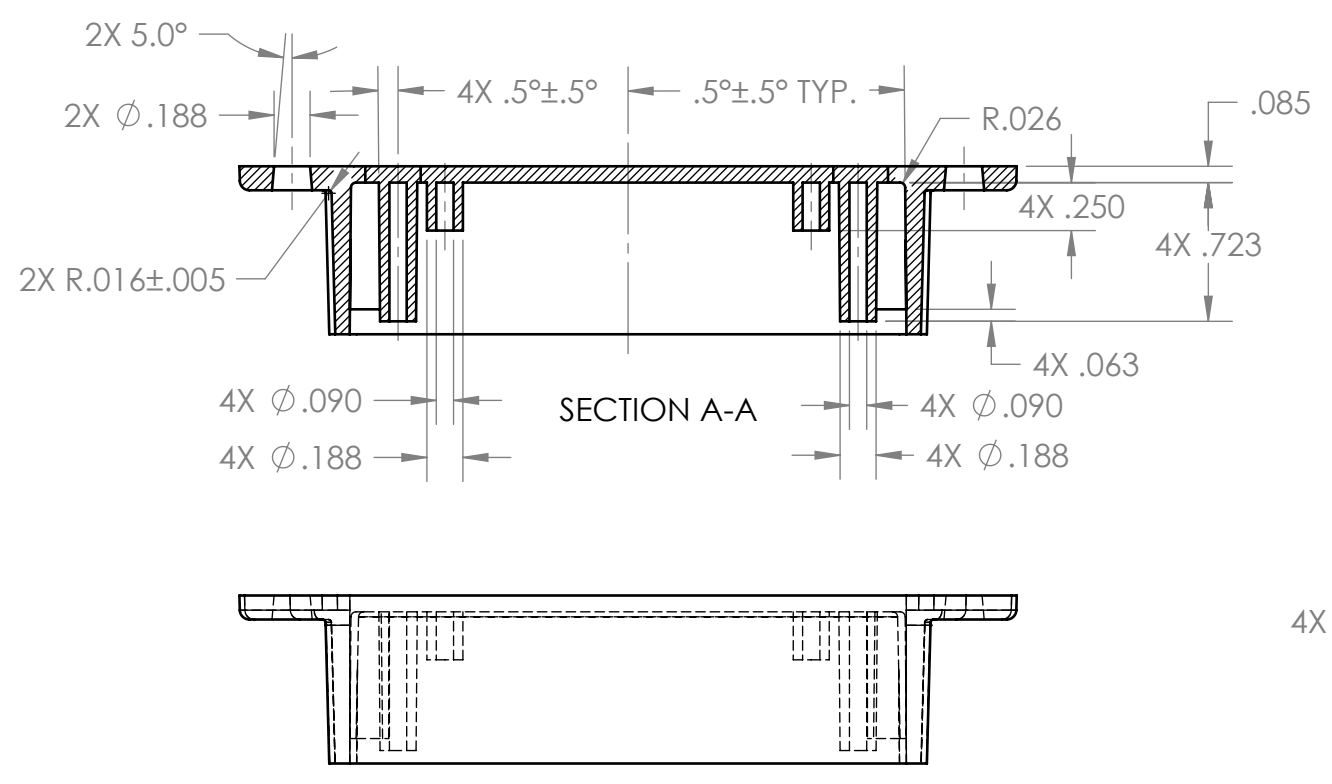
ITEM NO.	PART NUMBER	Material	DESCRIPTION	BT-3308XX/QTY.
1	BT-33C	ABS	BT SERIES COVER, BLACK	1
2	BT-3308BXX	ABS	BASE, BLACK, WITHOUT PCB BOSSES	1
3	SCREWS-LP-BR	STEEL	4-24 X .5 CROSS OVAL C'SUNK HEAD THREAD FORMING SCREW	4



NOTES:
1. FLAME RATING: UL94V-0

UNLESS OTHERWISE SPECIFIED: DIMENSIONS ARE IN: INCHES[mm] TOLERANCES: ANGULAR: ±2° TWO PLACE DECIMAL: ±.030 THREE PLACE DECIMAL: ±.015 PRINTED GRAPHICS: ±.010		PART NO. BT-3308XX		 <small>1305 CHESTER IND. PARKWAY AVON, OHIO 44011-1083 U.S.A. PH#: 1-800-248-1233, 440-934-0444 FAX#: 440-934-0088</small>							
PROPRIETARY AND CONFIDENTIAL THE INFORMATION CONTAINED IN THIS DRAWING IS THE SOLE PROPERTY OF POLYCASE. ANY REPRODUCTION IN PART OR AS A WHOLE WITHOUT THE WRITTEN PERMISSION OF POLYCASE IS PROHIBITED. CAD FILE: BT-3308XX ASS'Y		PRODUCT -				CLIENT -	SIZE B				
REV.		DESCRIPTION	ZONE	BY	APPR'D	DATE	DRAWN D.M.F.	DATE 12/23/2009	SCALE: 1:1	BT SERIES ASSEMBLY, BLACK, WITHOUT PCB BOSSES	REV -
REVISIONS							CHECKED B.M.B.	DATE 11/3/2010			SHEET 1 OF 1

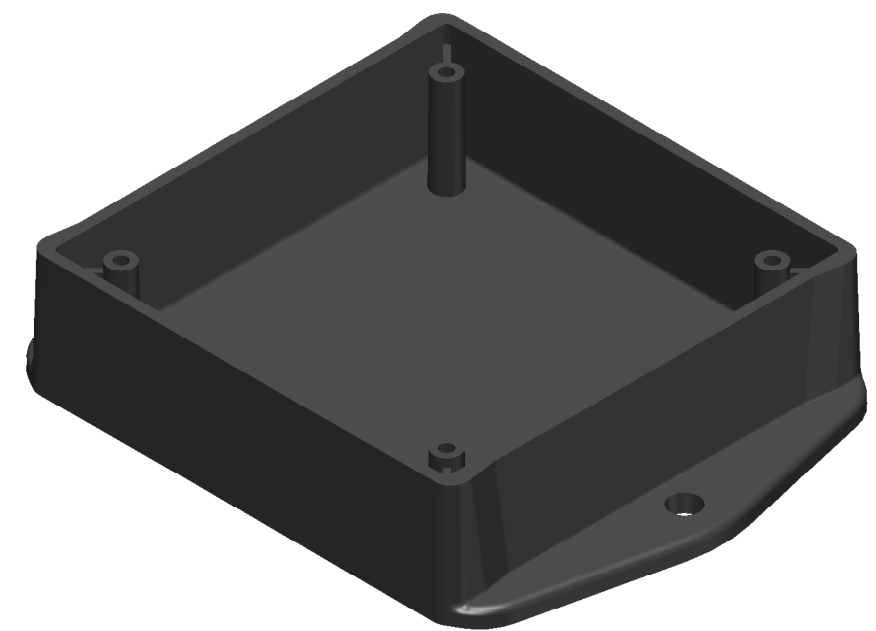
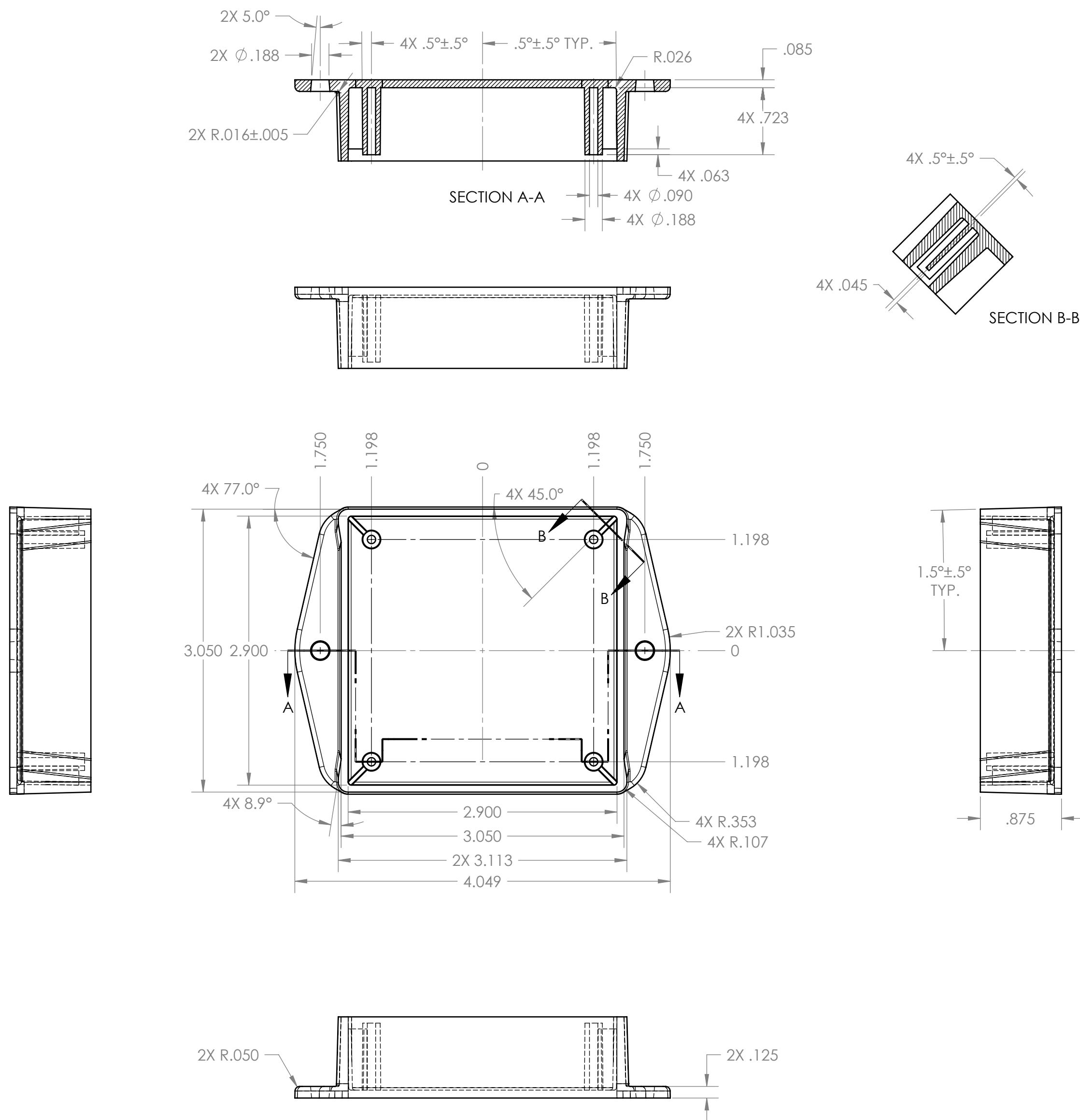
REV.	DESCRIPTION	ZONE	BY	APPR'D	DATE
	REVISIONS				



NOTES:
1. PCB BOSSES ACCEPT A #4 X .25 THREAD FORMING SCREW.
SCREWS ARE AVAILABLE FROM POLYCASE.
2. MATERIAL: ABS

UNLESS OTHERWISE SPECIFIED: DIMENSIONS ARE IN: INCHES[mm] TOLERANCES: ANGULAR: ±2° TWO PLACE DECIMAL: ±.030 THREE PLACE DECIMAL: ±.015 PRINTED GRAPHICS: ±.010		PART NO. BT-3308BMB		polycase 1305 CHESTER RD. PARKWAY AVON, OHIO 44011-1083 U.S.A. PH: 1-800-248-1233, 440-934-0444 FAX: 440-934-0088	
PROPRIETARY AND CONFIDENTIAL THE INFORMATION CONTAINED IN THIS DRAWING IS THE SOLE PROPERTY OF POLYCASE. ANY REPRODUCTION IN PART OR AS A WHOLE WITHOUT THE WRITTEN PERMISSION OF POLYCASE IS PROHIBITED. CAD FILE: BT-3308BMB		CLIENT		SIZE C	
DRAWN		NAME		DATE	
CHECKED		D.M.F.		12/23/2009	
		B.M.B.		11/3/2010	
SCALE: 1:1		BASE, BLACK, WITH PCB BOSSES		REV	
				SHEET 1 OF 1	

REV.	DESCRIPTION	ZONE	BY	APPR'D	DATE
REVISIONS					



NOTES:
1. MATERIAL: ABS

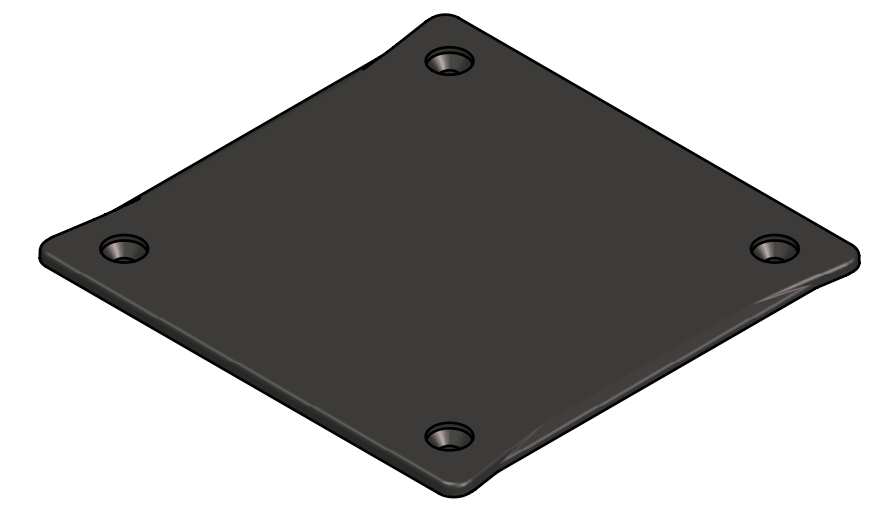
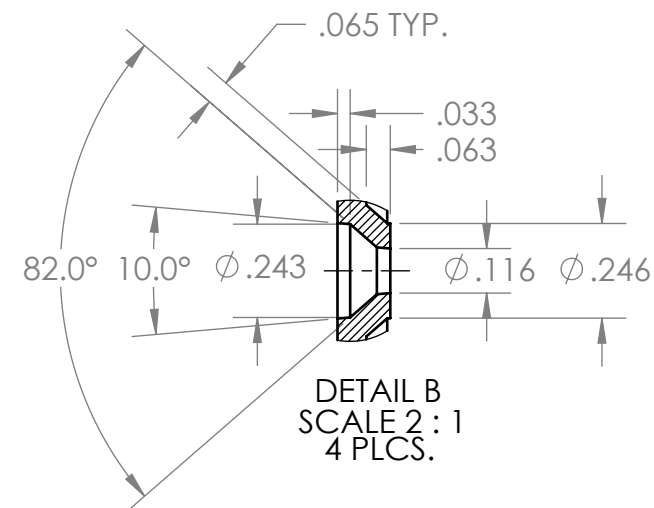
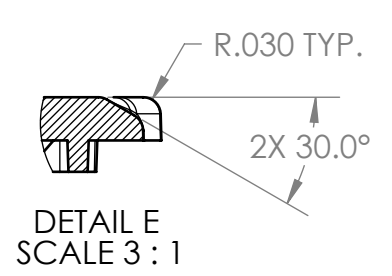
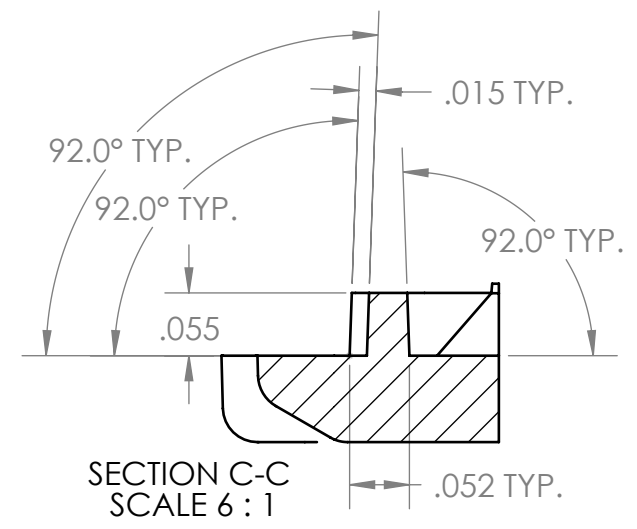
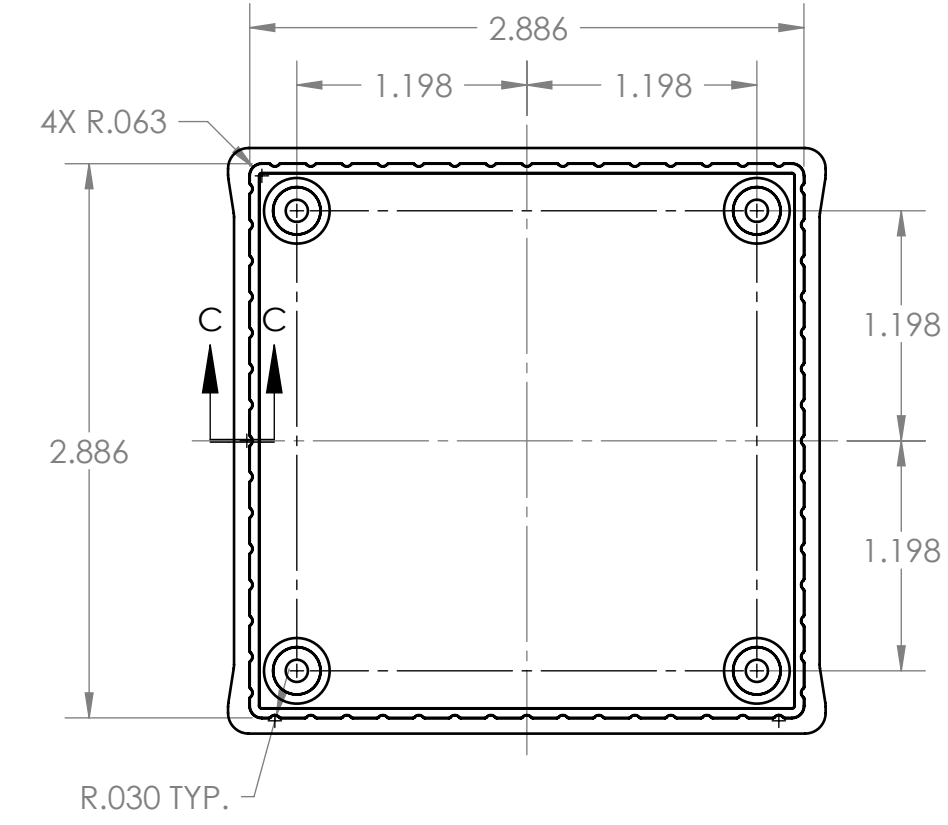
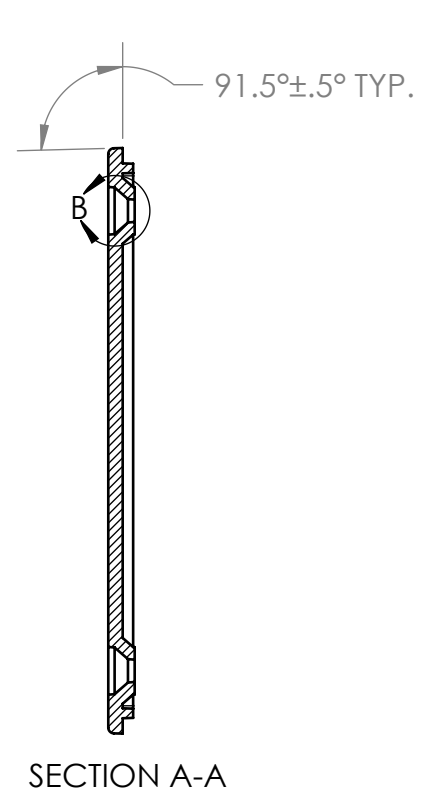
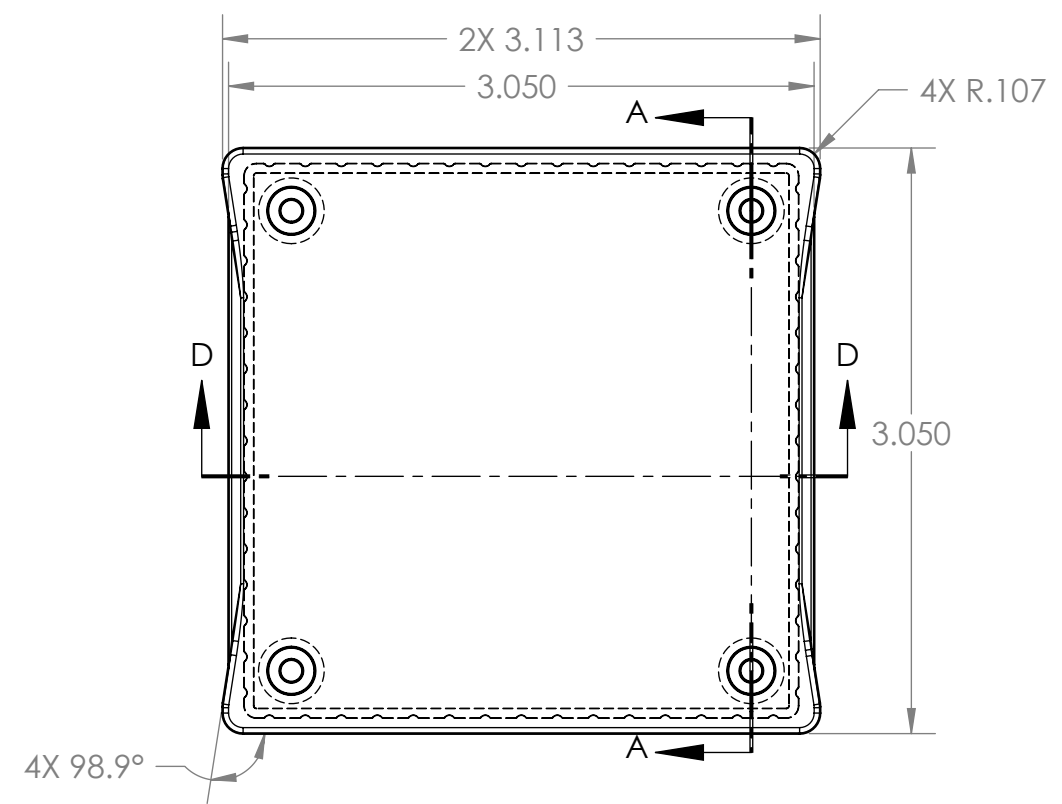
UNLESS OTHERWISE SPECIFIED: DIMENSIONS ARE IN: INCHES[mm] TOLERANCES: ANGULAR: ±2° TWO PLACE DECIMAL: ±.030 THREE PLACE DECIMAL: ±.015 PRINTED GRAPHICS: ±.010		PART NO. BT-3308BXX		1305 CHESTER RD. PARKWAY AVON, OHIO 44011-1083 U.S.A. PH: 1-800-248-1233, 440-934-0444 FAX: 440-934-0088	
PROPRIETARY AND CONFIDENTIAL THE INFORMATION CONTAINED IN THIS DRAWING IS THE SOLE PROPERTY OF POLYCASE. ANY REPRODUCTION IN PART OR AS A WHOLE WITHOUT THE WRITTEN PERMISSION OF POLYCASE IS PROHIBITED. CAD FILE: BT-3308BXX		PRODUCT		polycase	
CLIENT		NAME		DATE	
-		D.M.F.		12/23/2009	
DRAWN		B.M.B.		11/3/2010	
CHECKED		SCALE: 1:1		REV	
-		SIZE		SHEET 1 OF 1	
-		C		-	

REV.	DESCRIPTION	ZONE	BY	APPR'D	DATE
REVISIONS					

8 7 6 5 4 3 2 1

D
C
B
A

D
C
B
A

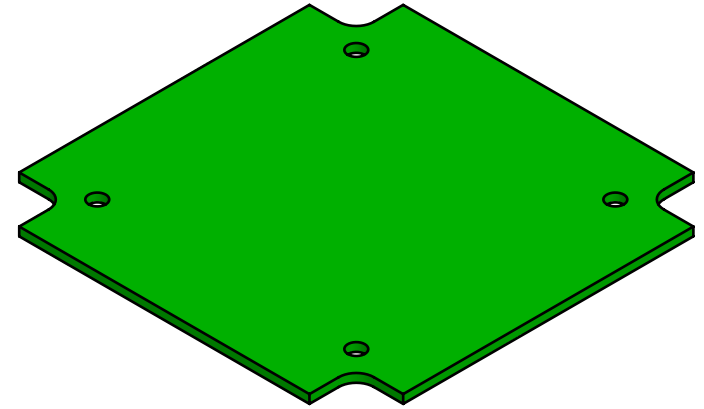
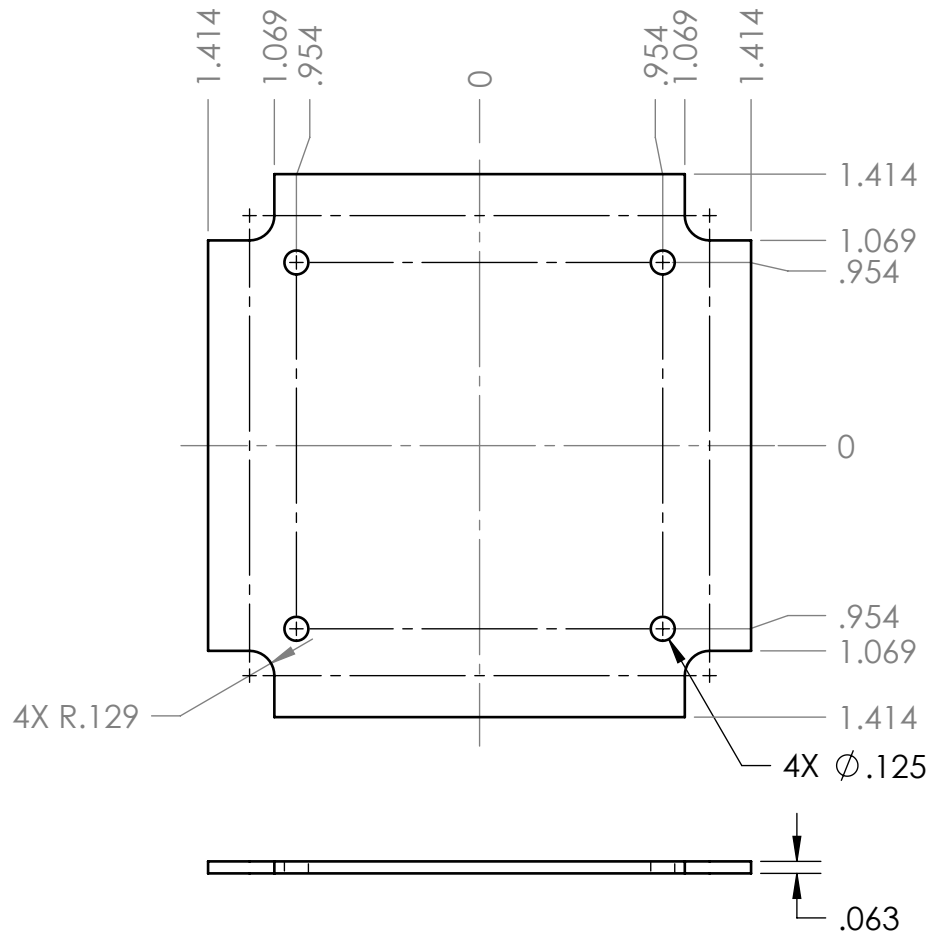


NOTES:
1. MATERIAL: ABS

REV.	DESCRIPTION	ZONE	BY	APPR'D	DATE
REVISIONS					


UNLESS OTHERWISE SPECIFIED: DIMENSIONS ARE IN: INCHES[mm] TOLERANCES: ANGULAR: ±2° TWO PLACE DECIMAL: ±.030 THREE PLACE DECIMAL: ±.015 PRINTED GRAPHICS: ±.010			PART NO. BT-33C		 <small>1305 CHESTER IND. PARKWAY AVON, OHIO 44011-1083 U.S.A. PH#: 1-800-248-1233, 440-934-0444 FAX#: 440-934-0088</small>
PROPRIETARY AND CONFIDENTIAL THE INFORMATION CONTAINED IN THIS DRAWING IS THE SOLE PROPERTY OF POLYCASE. ANY REPRODUCTION IN PART OR AS A WHOLE WITHOUT THE WRITTEN PERMISSION OF POLYCASE IS PROHIBITED. CAD FILE: BT-33C			PRODUCT -		
CLIENT -			SIZE B	BT SERIES COVER, BLACK	REV -
DRAWN D.M.F.			NAME D.M.F.	DATE 12/23/2009	SCALE: 1:1
CHECKED B.M.B.			NAME B.M.B.	DATE 11/3/2010	
					SHEET 1 OF 1

8 7 6 5 4 3 2 1



NOTES:

1. INCLUDES .031 CLEARANCE WITH THE INTERIOR OF BT-3308BMB WHEN UTILIZING THE PCB BOSSES.

UNLESS OTHERWISE SPECIFIED: DIMENSIONS ARE IN: INCHES[mm] TOLERANCES: ANGULAR: ±2° TWO PLACE DECIMAL: ±.010 THREE PLACE DECIMAL: ±.005 PRINTED GRAPHICS: ±.010			PART NO. BT-3308BMB-PCB			 <small>1305 CHESTER IND. PARKWAY AVON, OHIO 44011-1083 U.S.A. PH#: 1-800-248-1233, 440-934-0444 FAX#: 440-934-0088</small>								
PROPRIETARY AND CONFIDENTIAL THE INFORMATION CONTAINED IN THIS DRAWING IS THE SOLE PROPERTY OF POLYCASE. ANY REPRODUCTION IN PART OR AS A WHOLE WITHOUT THE WRITTEN PERMISSION OF POLYCASE IS PROHIBITED. CAD FILE: BT-3308BMB-PCB			PRODUCT						CLIENT					
			CLIENT			SIZE A			PCB Template			REV -		
REV.			DESCRIPTION			DRAWN			NAME			DATE		
5			REVISIONS			4			DRAWN			D.M.F. 12/23/2009		
3						CHECKED			B.M.B. 11/3/2010			SCALE: 1:1		
2												SHEET 1 OF 1		
1														

REV.	DESCRIPTION	ZONE	BY	APPR'D	DATE
5	REVISIONS				
4					
3					
2					
1					