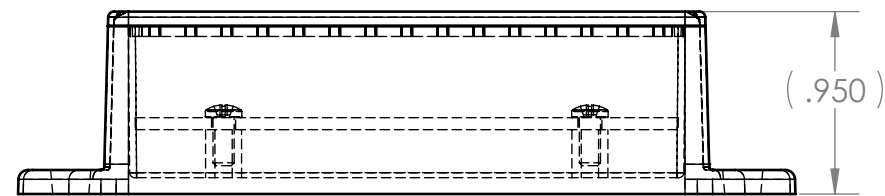
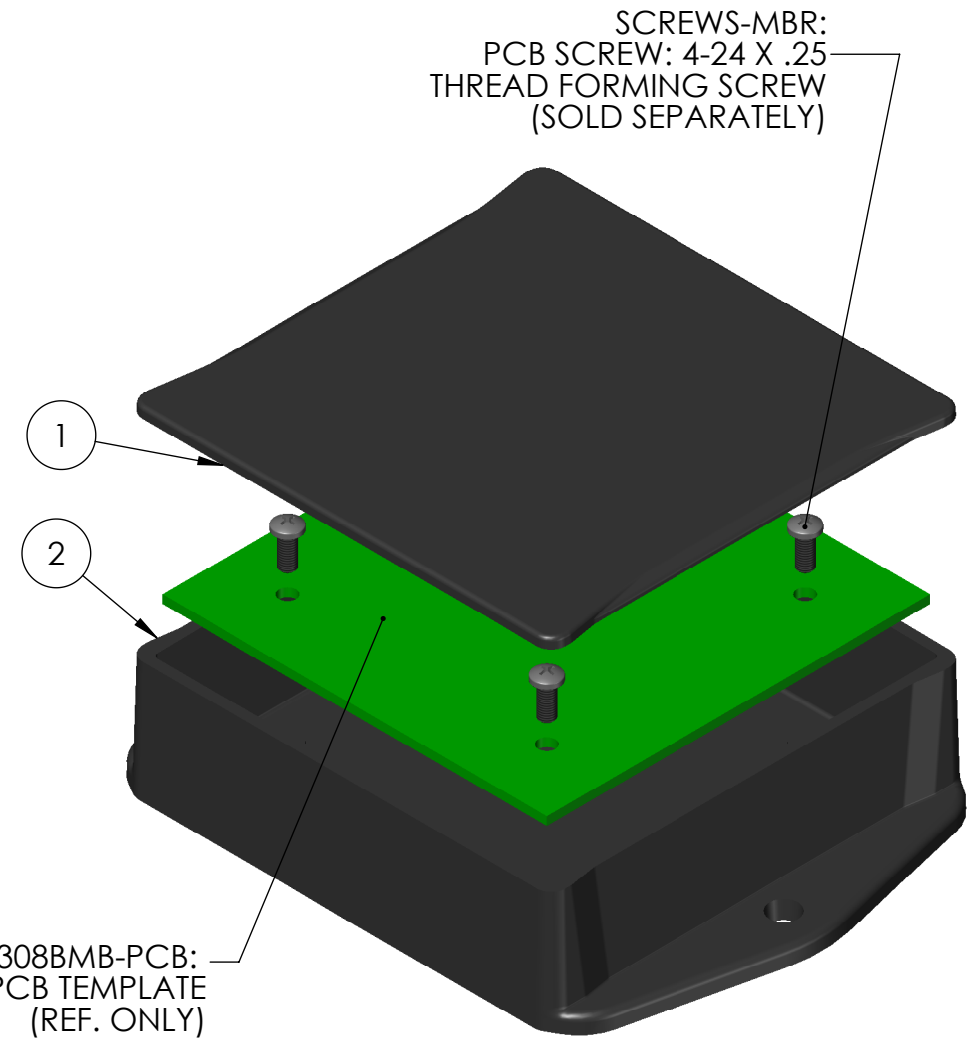
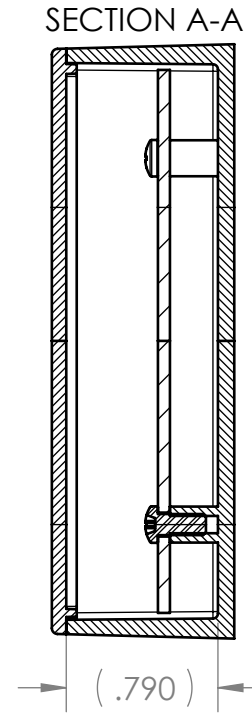
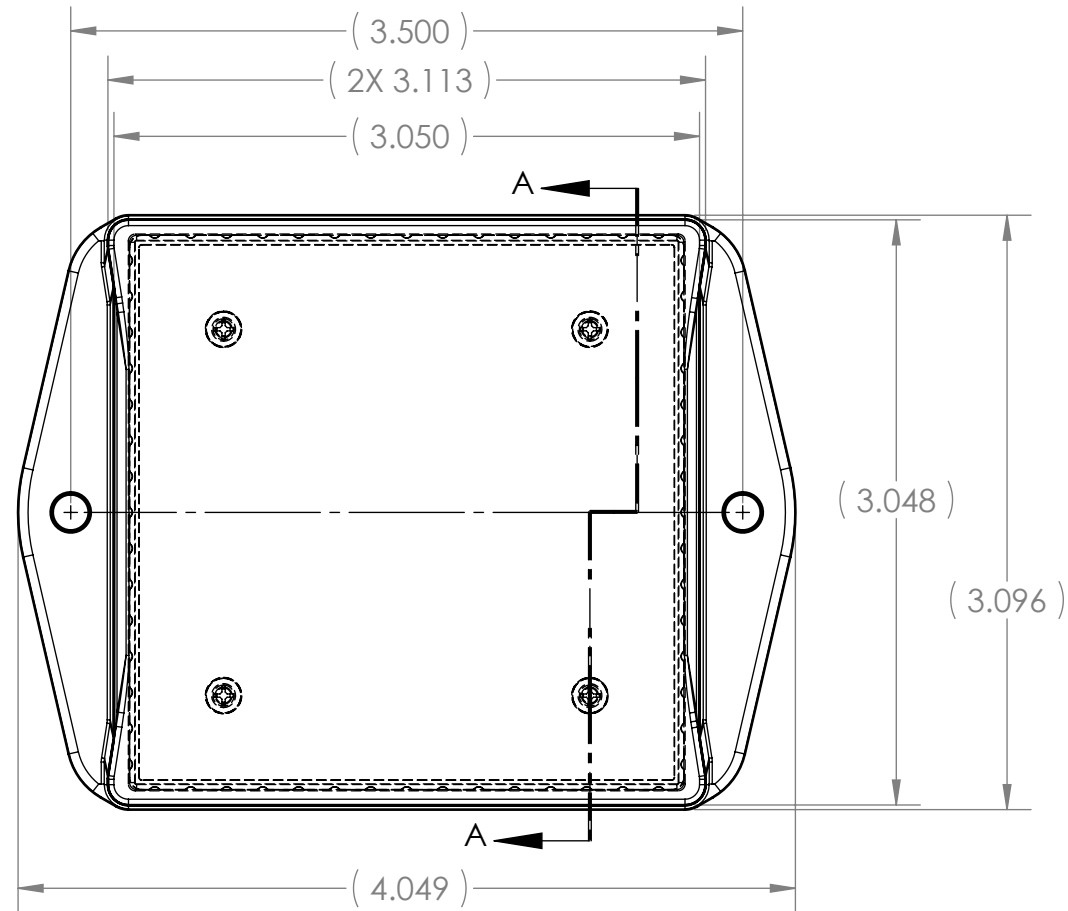


ITEM NO.	PART NUMBER	Rev.	DESCRIPTION	MATERIAL
1	BX-33C	-	BX SERIES COVER, BLACK	ABS
2	BX-3308BMB	-	BASE, BLACK, WITH PCB BOSSES	ABS

NOTE: ALL COMPONENTS ARE SOLD AND PRICED SEPARATELY. SHOWN ASSEMBLED FOR REFERENCE ONLY.



- NOTES:**
1. PCB BOSSES ACCEPT A #4 X .25 THREAD FORMING SCREW. SCREWS ARE AVAILABLE FROM POLYCASE.
 2. FLAME RATING: UL94V-0

REV.	DESCRIPTION	ZONE	BY	APPR'D	DATE
REVISIONS					

UNLESS OTHERWISE SPECIFIED:
 DIMENSIONS ARE IN: INCHES [mm]
 TOLERANCES: ANGULAR: ±2°
 TWO PLACE DECIMAL: ±.030
 THREE PLACE DECIMAL: ±.015
 PRINTED GRAPHICS: ±.010

PROPRIETARY AND CONFIDENTIAL
 THE INFORMATION CONTAINED IN THIS
 DRAWING IS THE SOLE PROPERTY OF
 POLYCASE. ANY REPRODUCTION IN PART
 OR AS A WHOLE WITHOUT THE WRITTEN
 PERMISSION OF POLYCASE IS PROHIBITED.
 CAD FILE: BX-3308MB ASSY

PART NO. BX-3308MB		
PRODUCT -		
CLIENT -	NAME D.M.F.	DATE 12/23/2009
DRAWN B.M.B.	DATE 11/3/2010	

polycase
 1305 CHESTER IND. PARKWAY AVON, OHIO 44011-1083 U.S.A.
 PH#: 1-800-248-1233, 440-934-0444 FAX#: 440-934-0088

SIZE B	DESCRIPTION BX SERIES ASSEMBLY, BLACK, WITH PCB BOSSES	REV -
------------------	--	----------

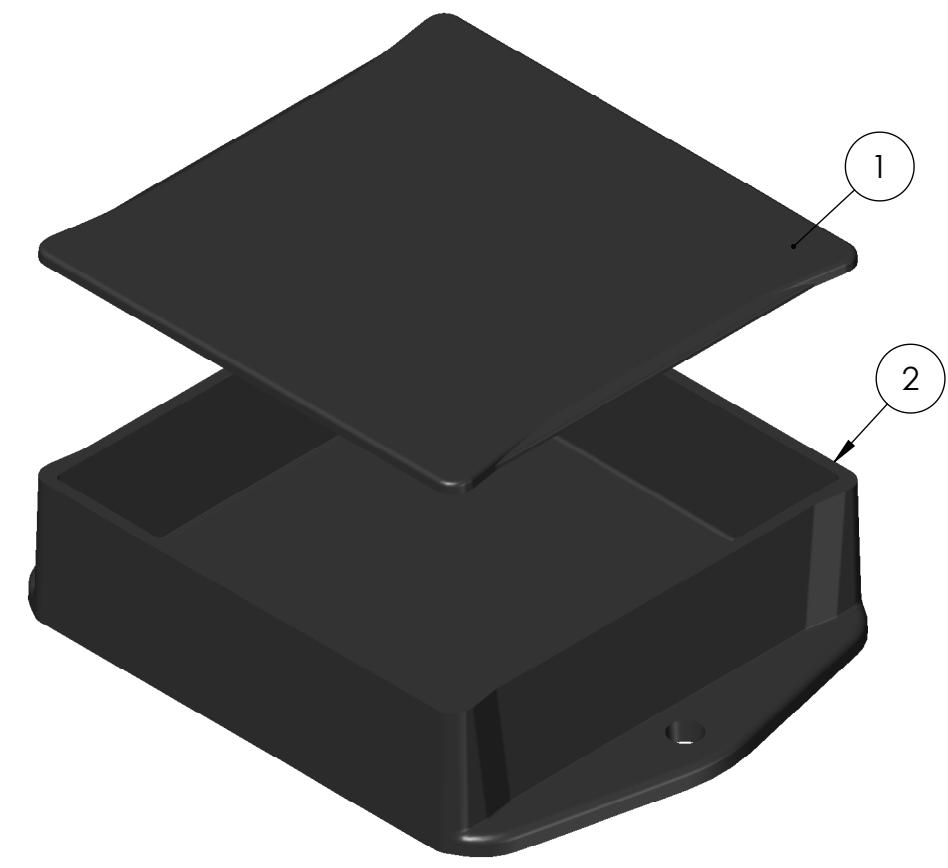
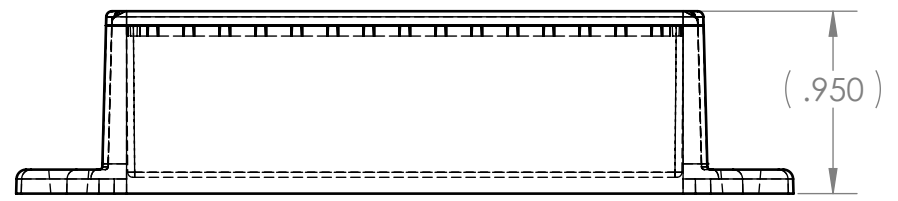
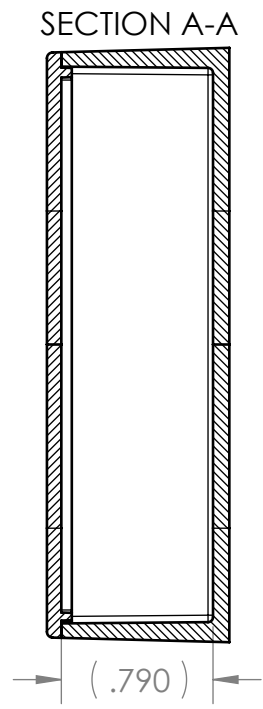
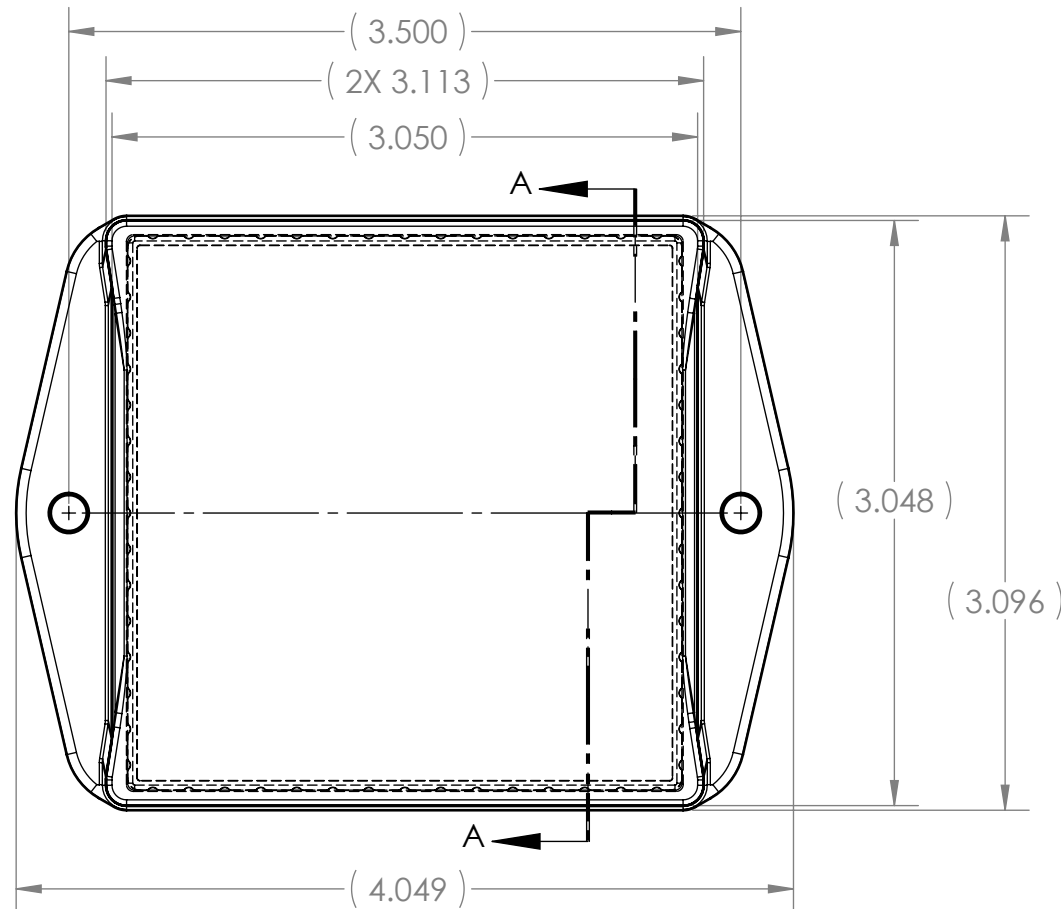
SCALE: 1:1

SHEET 1 OF 1

8 7 6 5 4 3 2 1

ITEM NO.	PART NUMBER	Rev.	DESCRIPTION	MATERIAL
1	BX-33C	-	BX SERIES COVER, BLACK	ABS
2	BX-3308BXX	-	BASE, BLACK, WITHOUT PCB BOSSES	ABS

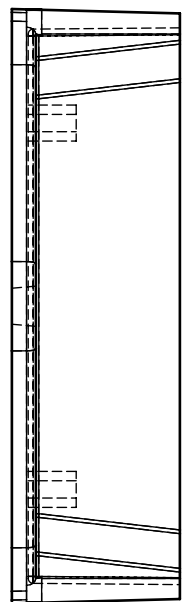
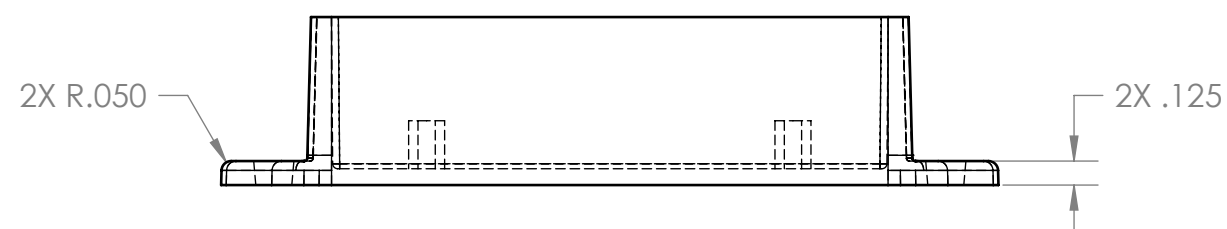
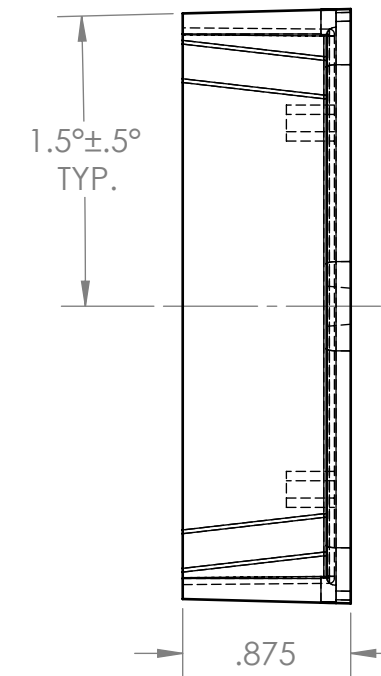
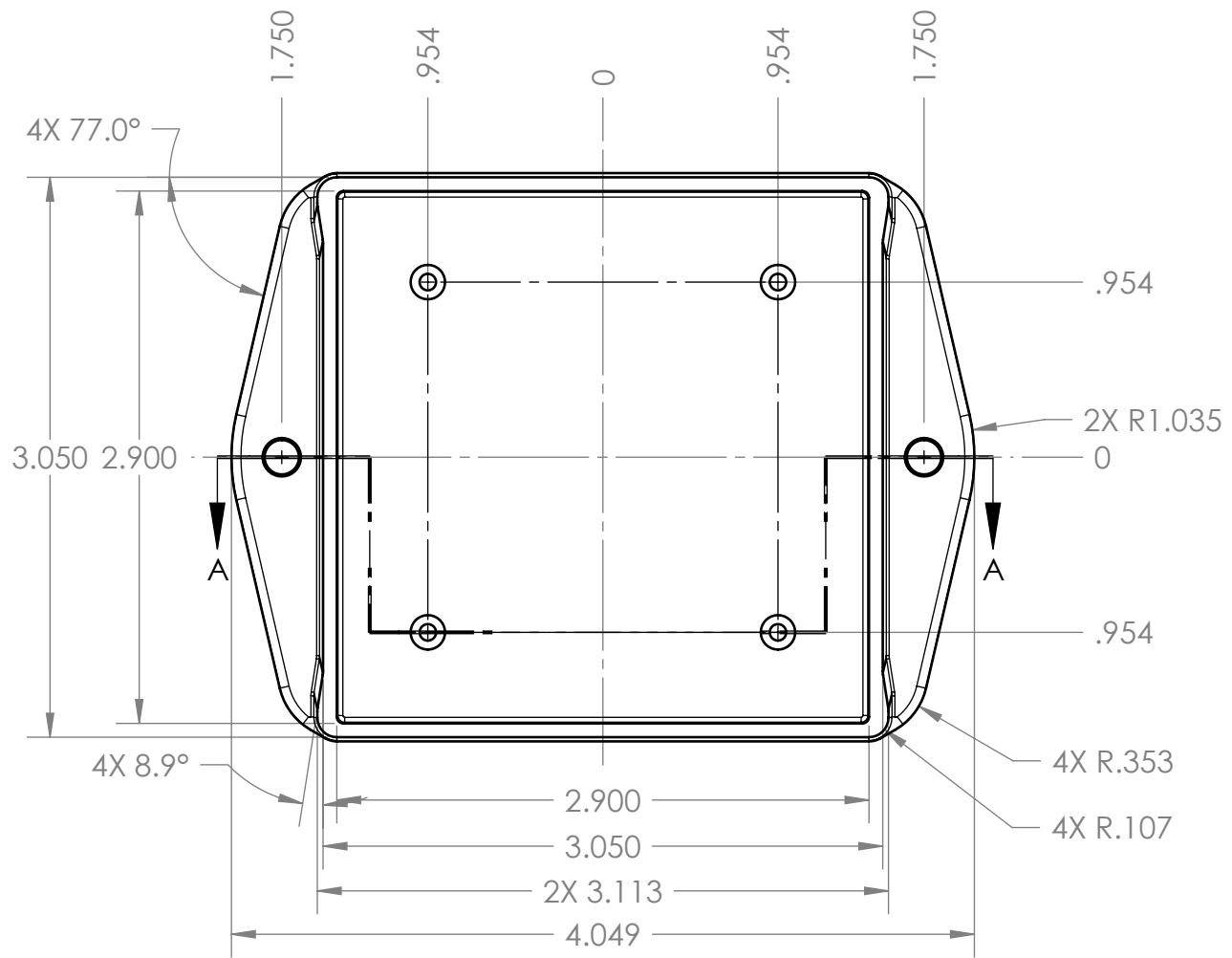
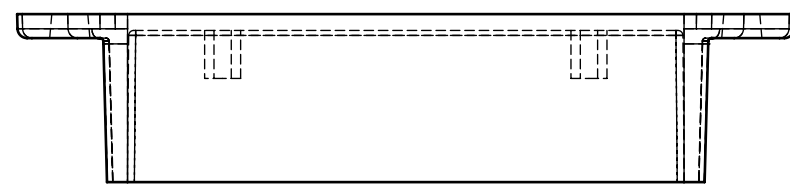
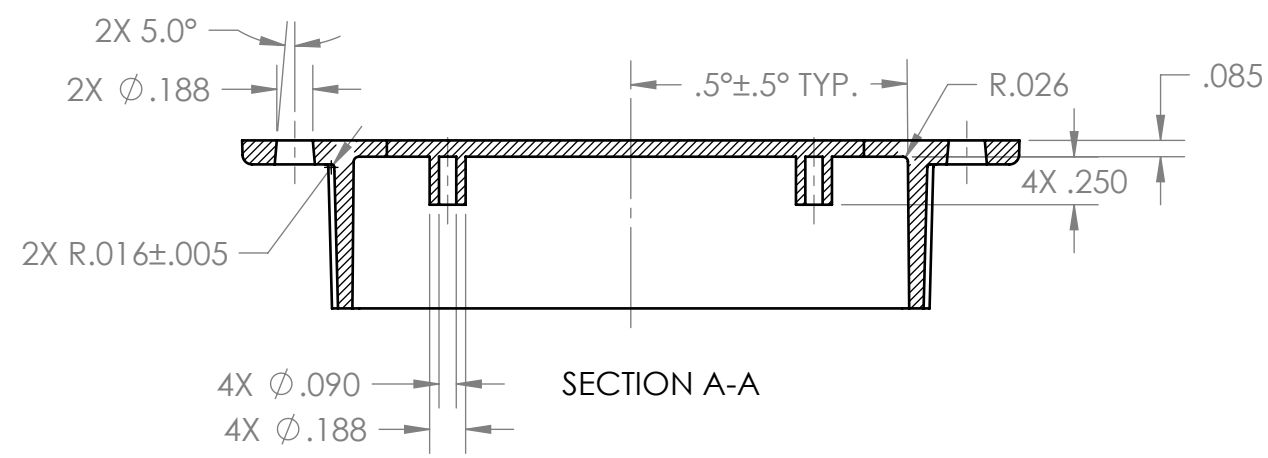
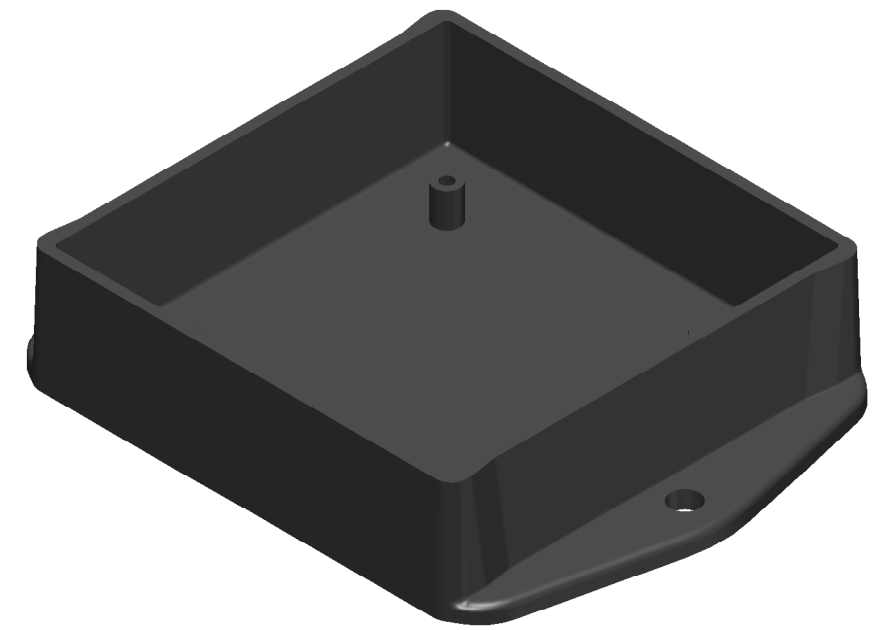
NOTE: ALL COMPONENTS ARE SOLD AND PRICED SEPARATELY. SHOWN ASSEMBLED FOR REFERENCE ONLY.



NOTES:
1. FLAME RATING: UL94V-0

UNLESS OTHERWISE SPECIFIED: DIMENSIONS ARE IN: INCHES[mm] TOLERANCES: ANGULAR: ±2° TWO PLACE DECIMAL: ±.030 THREE PLACE DECIMAL: ±.015 PRINTED GRAPHICS: ±.010		PART NO. BX-3308XX		 <small>1305 CHESTER IND. PARKWAY AVON, OHIO 44011-1083 U.S.A. PH#: 1-800-248-1233, 440-934-0444 FAX#: 440-934-0088</small>	
PROPRIETARY AND CONFIDENTIAL THE INFORMATION CONTAINED IN THIS DRAWING IS THE SOLE PROPERTY OF POLYCASE. ANY REPRODUCTION IN PART OR AS A WHOLE WITHOUT THE WRITTEN PERMISSION OF POLYCASE IS PROHIBITED. CAD FILE: BX-3308XX ASS'Y		PRODUCT -			
REV.		NAME		DATE	
DESCRIPTION		D.M.F.		12/23/2009	
REVISIONS		B.M.B.		11/3/2010	
SCALE: 1:1				SHEET 1 OF 1	

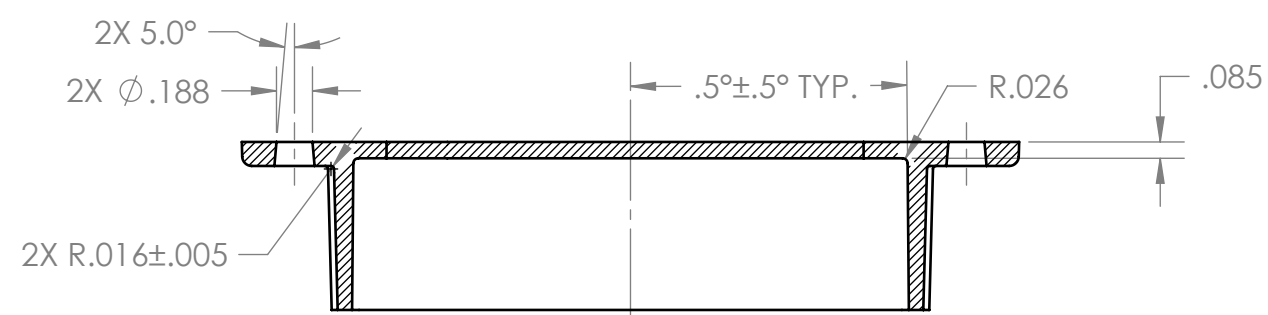
8 7 6 5 4 3 2 1



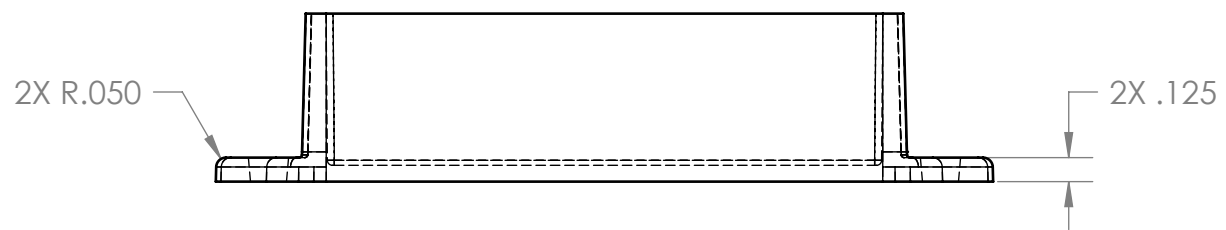
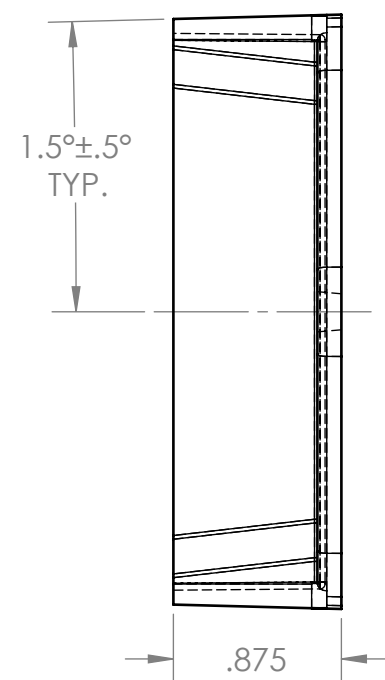
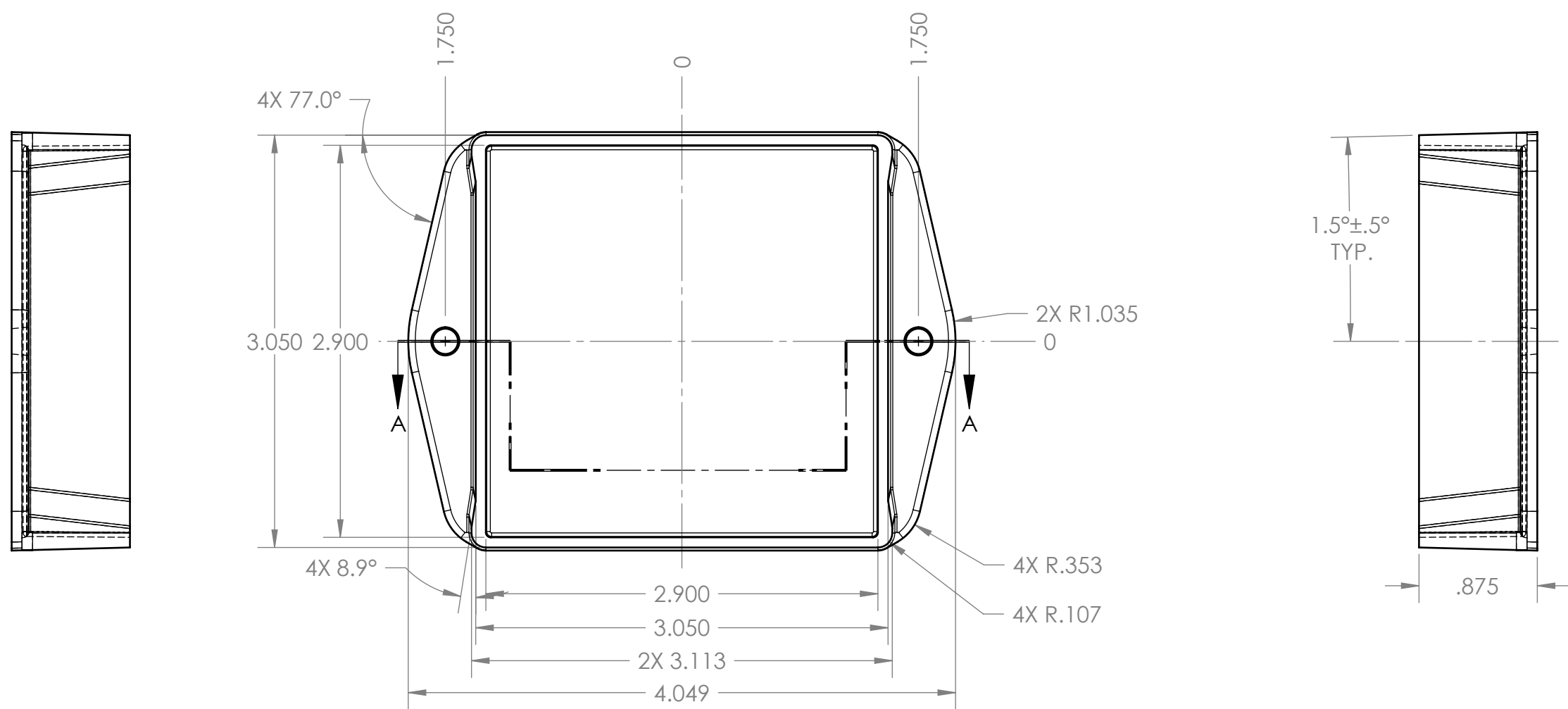
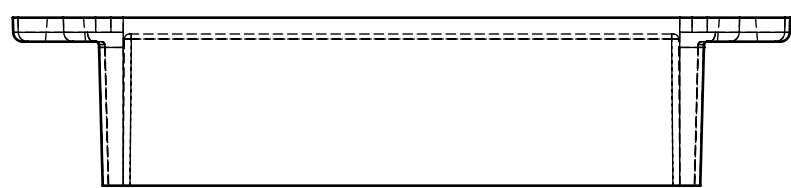
- NOTES:
 1. PCB BOSSES ACCEPT A #4 X .25 THREAD FORMING SCREW.
 SCREWS ARE AVAILABLE FROM POLYCASE.
 2. MATERIAL: ABS
 3. FLAME RATING: UL94V-0

UNLESS OTHERWISE SPECIFIED: DIMENSIONS ARE IN: INCHES[mm] TOLERANCES: ANGULAR: ±2° TWO PLACE DECIMAL: ±.030 THREE PLACE DECIMAL: ±.015 PRINTED GRAPHICS: ±.010		PART NO. BX-3308BMB		1305 CHESTER RD. PARKWAY AVON, OHIO 44011-1083 U.S.A. PH: 1-800-248-1233, 440-934-0444 FAX: 440-934-0088	
PROPRIETARY AND CONFIDENTIAL THE INFORMATION CONTAINED IN THIS DRAWING IS THE SOLE PROPERTY OF POLYCASE. ANY REPRODUCTION IN PART OR AS A WHOLE WITHOUT THE WRITTEN PERMISSION OF POLYCASE IS PROHIBITED. CAD FILE: BX-3308BMB		PRODUCT -		REV -	
CLIENT -		NAME D.M.F.		DATE 12/23/2009	
DRAWN CHECKED		B.M.B.		11/3/2010	
SCALE: 1:1		SIZE C		BASE, BLACK, WITH PCB BOSSES	
REVISIONS		ZONE		BY	
APPR'D		DATE		SHEET 1 OF 1	

REV.	DESCRIPTION	ZONE	BY	APPR'D	DATE



SECTION A-A



NOTES:
 1. MATERIAL: ABS
 2. FLAME RATING: UL94V-0

UNLESS OTHERWISE SPECIFIED:
 DIMENSIONS ARE IN: INCHES[mm]
 TOLERANCES: ANGULAR: ±2°
 TWO PLACE DECIMAL: ±.030
 THREE PLACE DECIMAL: ±.015
 PRINTED GRAPHICS: ±.010
 PROPRIETARY AND CONFIDENTIAL
 THE INFORMATION CONTAINED IN THIS
 DRAWING IS THE SOLE PROPERTY OF
 POLYCASE. ANY REPRODUCTION IN PART
 OR AS A WHOLE WITHOUT THE WRITTEN
 PERMISSION OF POLYCASE IS PROHIBITED.
 CAD FILE: BX-3308BXX

PART NO.
BX-3308BXX
 PRODUCT
 -
 CLIENT
 -
 NAME
 D.M.F.
 DATE
 12/23/2009
 CHECKED
 B.M.B.
 11/3/2010

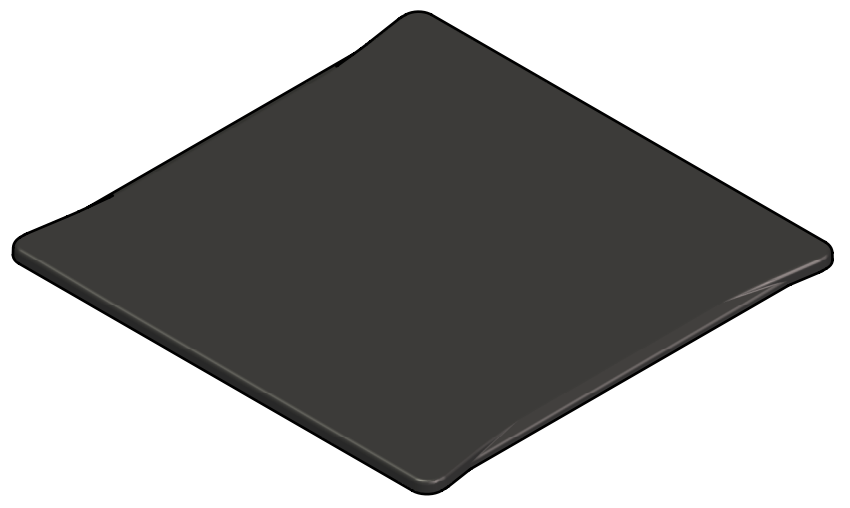
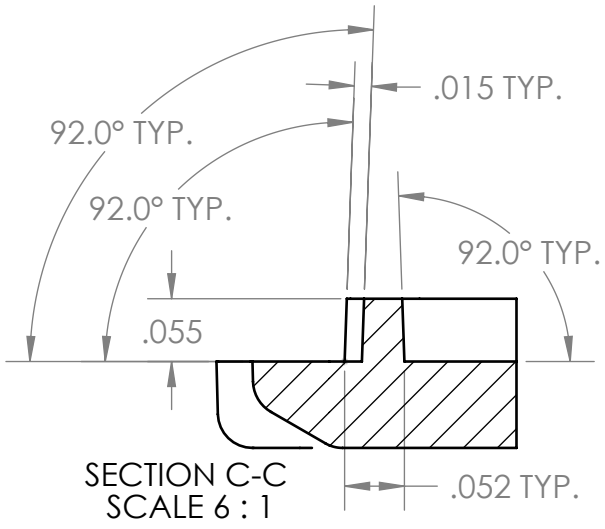
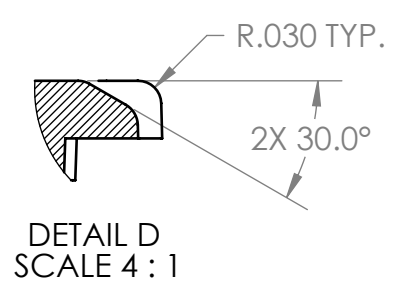
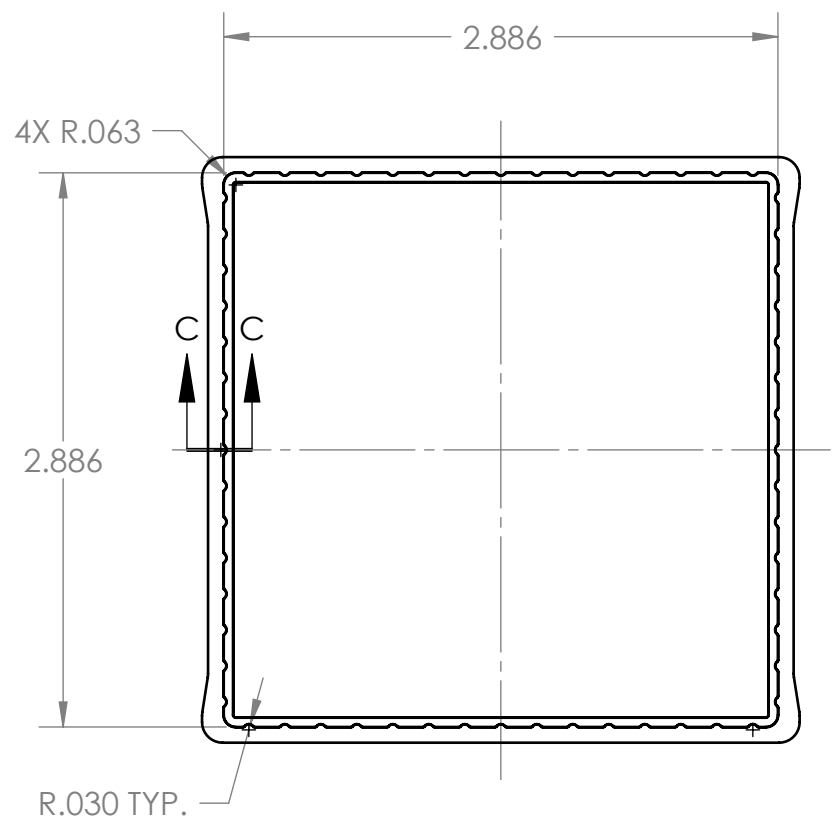
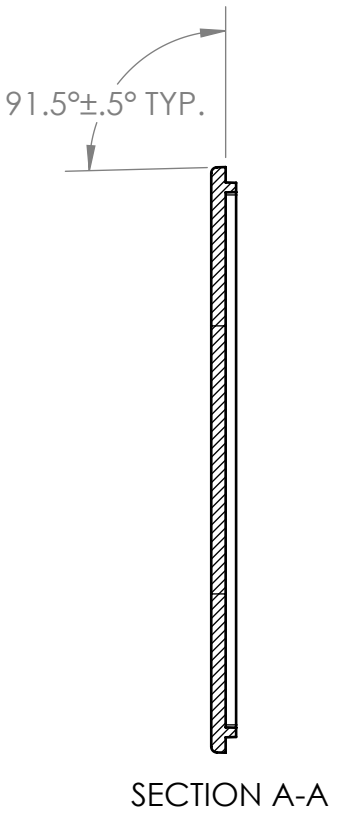
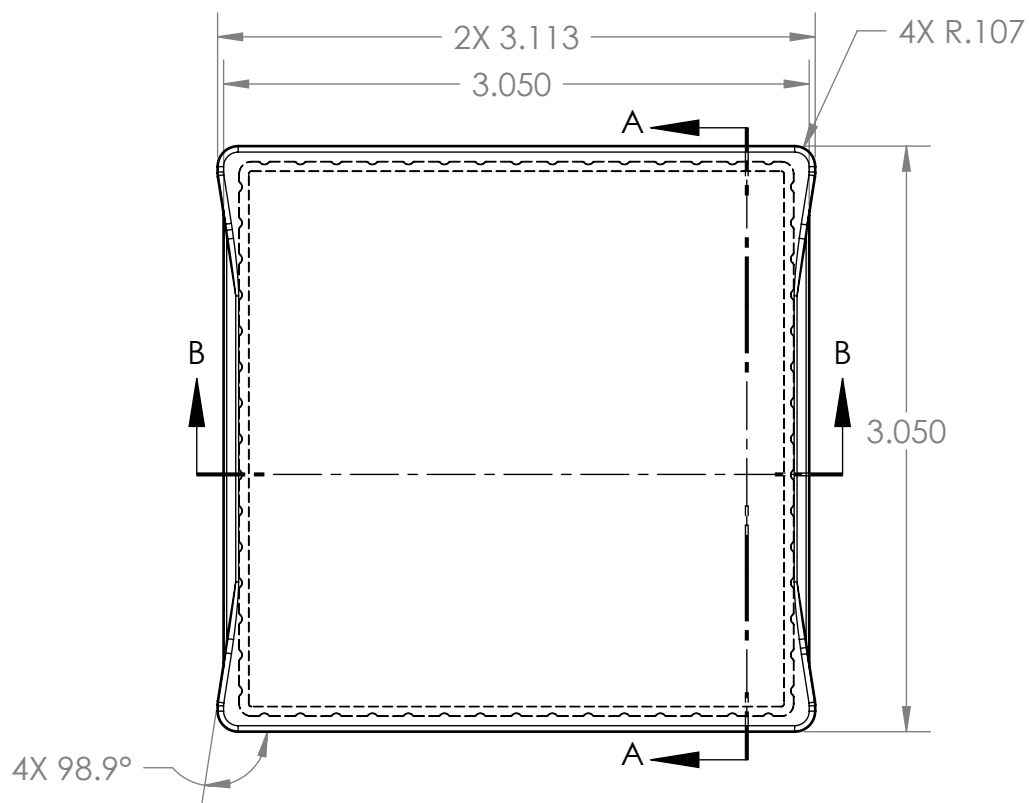
polycase
 1305 CHESTER RD. PARKWAY AVON, OHIO 44011-1083 U.S.A.
 PH: 1-800-248-1233, 440-934-0444 FAX: 440-934-0088
 SIZE
C
 BASE, BLACK, WITHOUT
 PCB BOSSES
 REV
 -
 SCALE: 1:1
 SHEET 1 OF 1

REV.	DESCRIPTION	ZONE	BY	APPR'D	DATE
REVISIONS					

8 7 6 5 4 3 2 1

D
C
B
A

D
C
B
A



NOTES:
1. MATERIAL: ABS
2. FLAME RATING: UL94V-0

REV.	DESCRIPTION	ZONE	BY	APPR'D	DATE
REVISIONS					

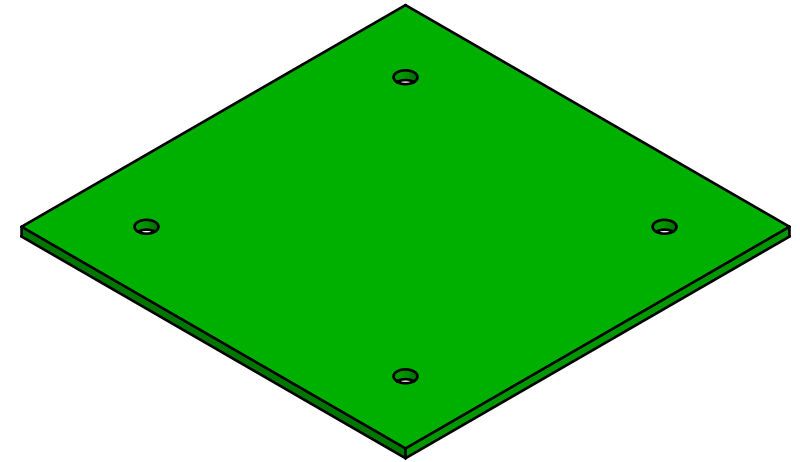
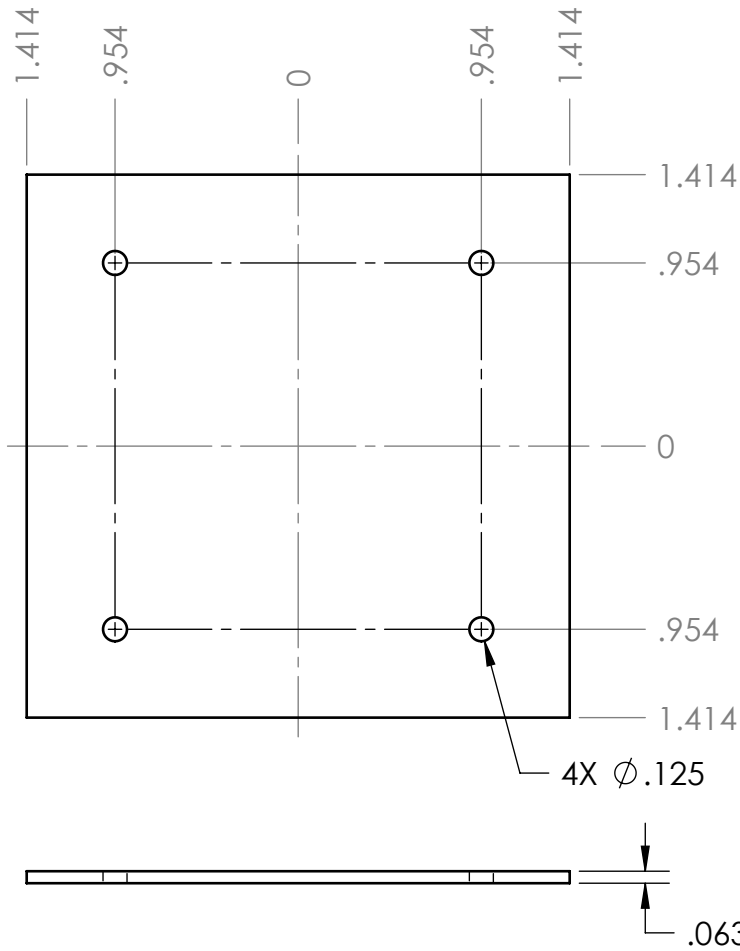
UNLESS OTHERWISE SPECIFIED:
DIMENSIONS ARE IN: INCHES[mm]
TOLERANCES: ANGULAR: ±2°
TWO PLACE DECIMAL: ±.030
THREE PLACE DECIMAL: ±.015
PRINTED GRAPHICS: ±.010
PROPRIETARY AND CONFIDENTIAL
THE INFORMATION CONTAINED IN THIS
DRAWING IS THE SOLE PROPERTY OF
POLYCASE. ANY REPRODUCTION IN PART
OR AS A WHOLE WITHOUT THE WRITTEN
PERMISSION OF POLYCASE IS PROHIBITED.
CAD FILE: BX-33C

PART NO. BX-33C		
PRODUCT -		
CLIENT -		
DRAWN	NAME	DATE
CHECKED	B.M.B.	11/3/2010

polycase
1305 CHESTER IND. PARKWAY AVON, OHIO 44011-1083 U.S.A.
PH#: 1-800-248-1233, 440-934-0444 FAX#: 440-934-0088


SIZE B	BX SERIES COVER, BLACK	REV -
SCALE: 1:1		SHEET 1 OF 1

8 7 6 5 4 3 2 1



NOTES:

1. INCLUDES .031 CLEARANCE WITH THE INTERIOR OF BX-3308BMB WHEN UTILIZING THE PCB BOSSES.

UNLESS OTHERWISE SPECIFIED: DIMENSIONS ARE IN: INCHES[mm] TOLERANCES: ANGULAR: ±2° TWO PLACE DECIMAL: ±.010 THREE PLACE DECIMAL: ±.005 PRINTED GRAPHICS: ±.010		PART NO. BX-3308BMB-PCB		 <small>1305 CHESTER IND. PARKWAY AVON, OHIO 44011-1083 U.S.A. PH#: 1-800-248-1233, 440-934-0444 FAX#: 440-934-0088</small>	
PROPRIETARY AND CONFIDENTIAL THE INFORMATION CONTAINED IN THIS DRAWING IS THE SOLE PROPERTY OF POLYCASE. ANY REPRODUCTION IN PART OR AS A WHOLE WITHOUT THE WRITTEN PERMISSION OF POLYCASE IS PROHIBITED. CAD FILE: BX-3308BMB-PCB		PRODUCT			
CLIENT		SIZE A		PCB Template	
DRAWN D.M.F. 12/23/2009		DATE		REV -	
CHECKED B.M.B. 11/3/2010		SCALE: 1:1		SHEET 1 OF 1	

REV.	DESCRIPTION	ZONE	BY	APPR'D	DATE
REVISIONS					

5

4

3

2

1

D

C

B

A