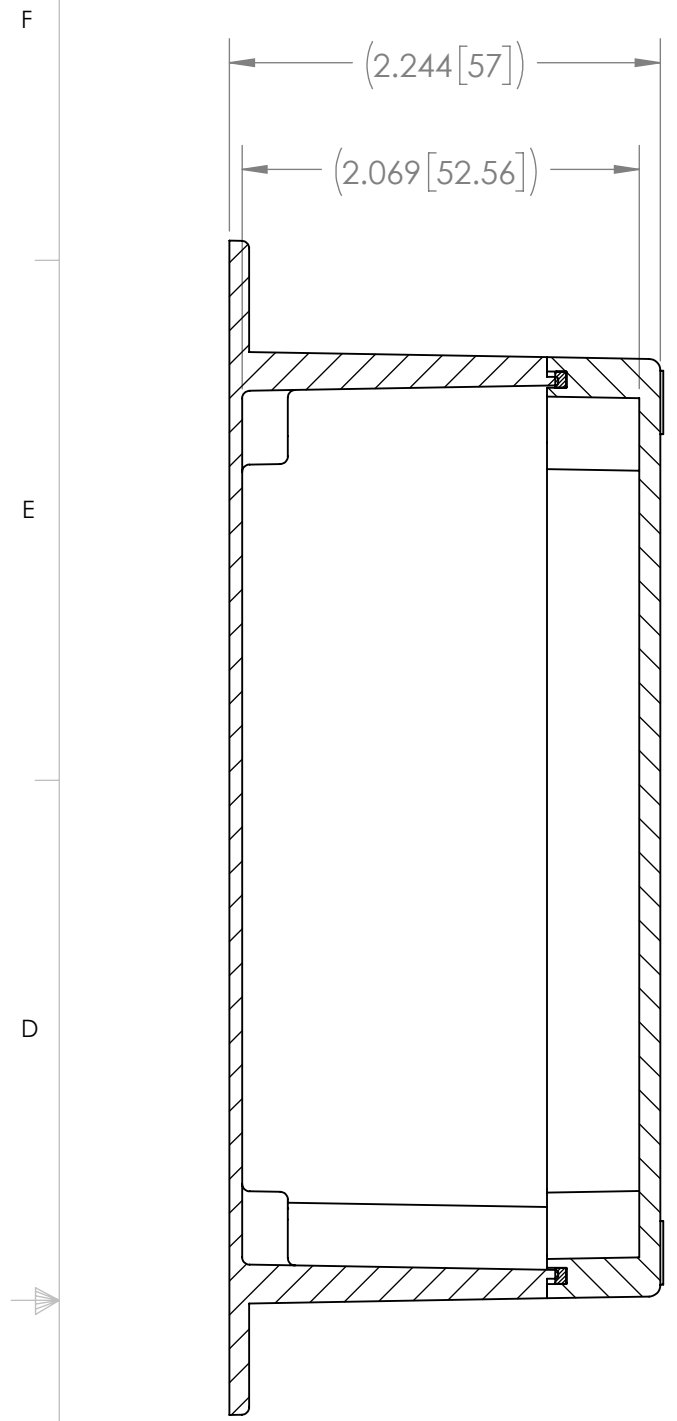
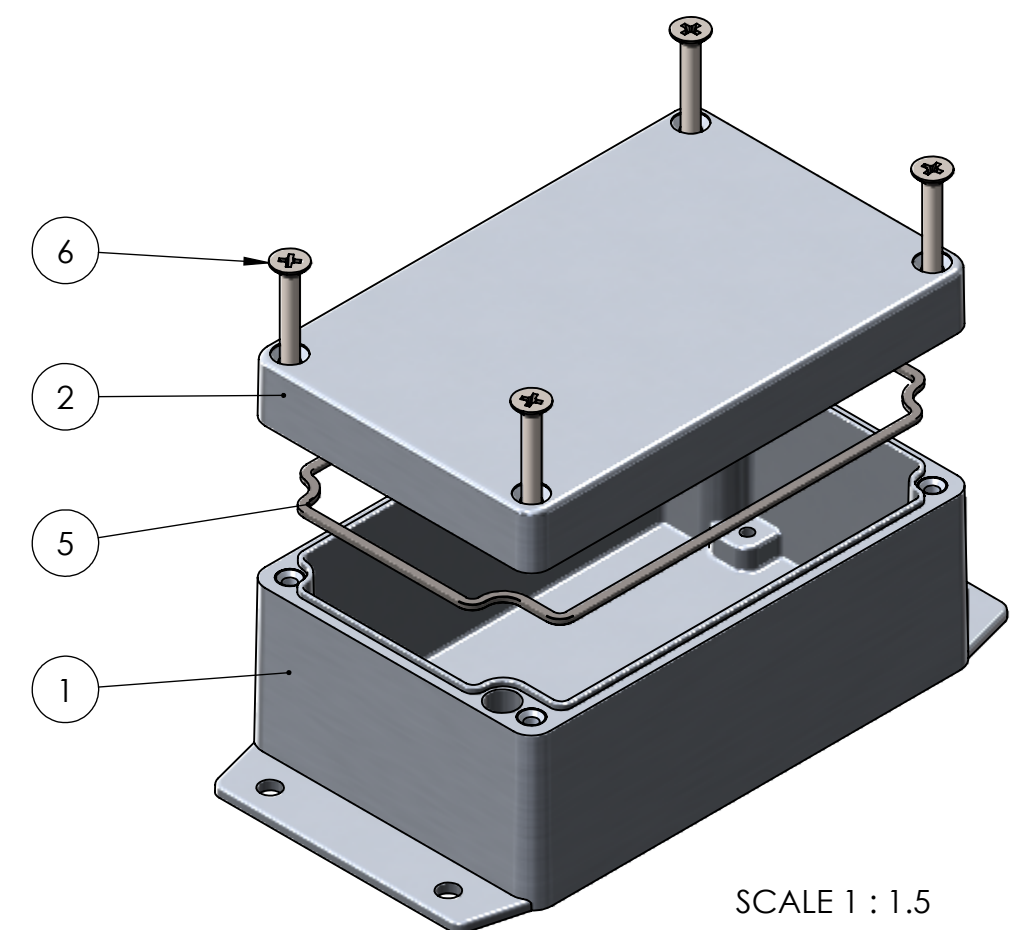
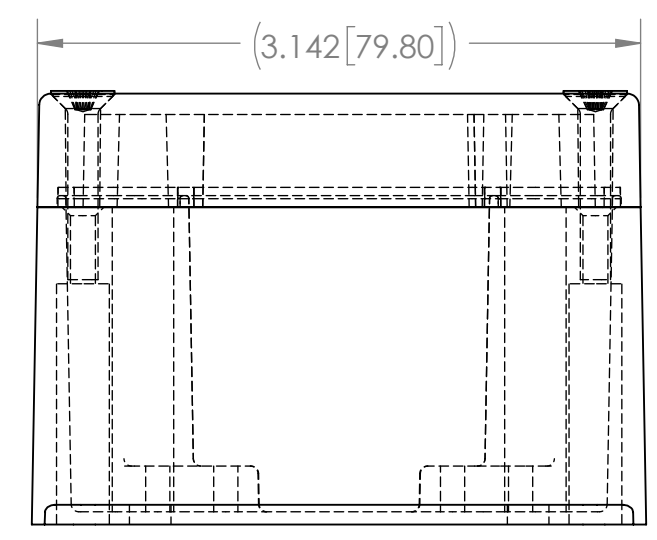
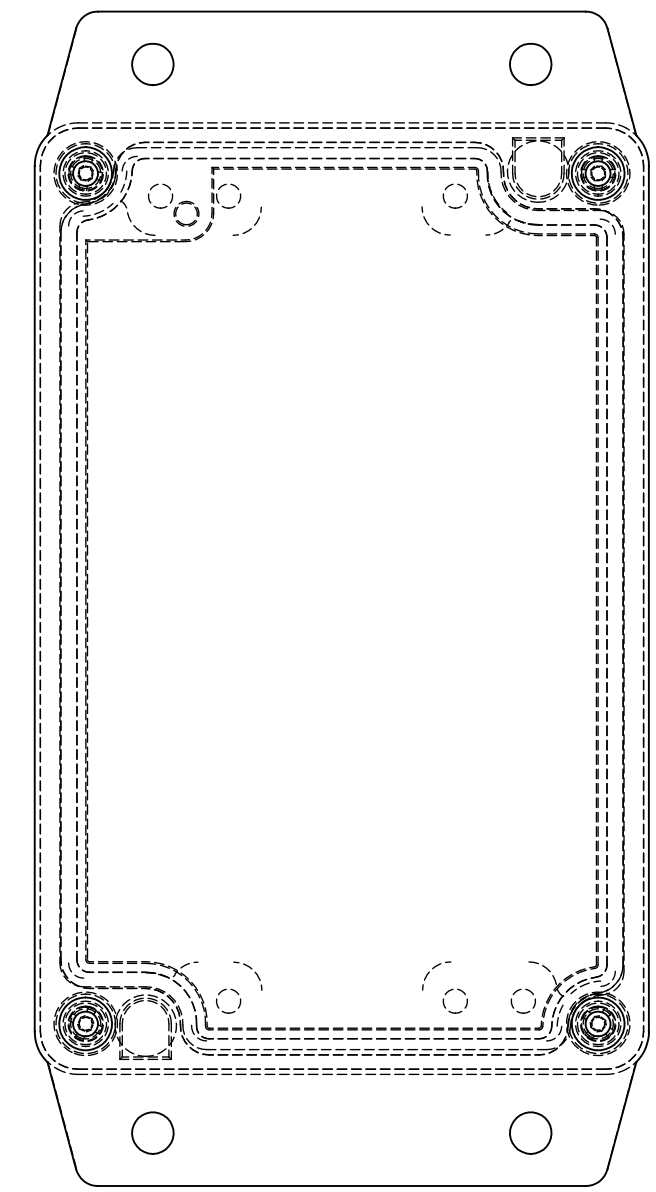
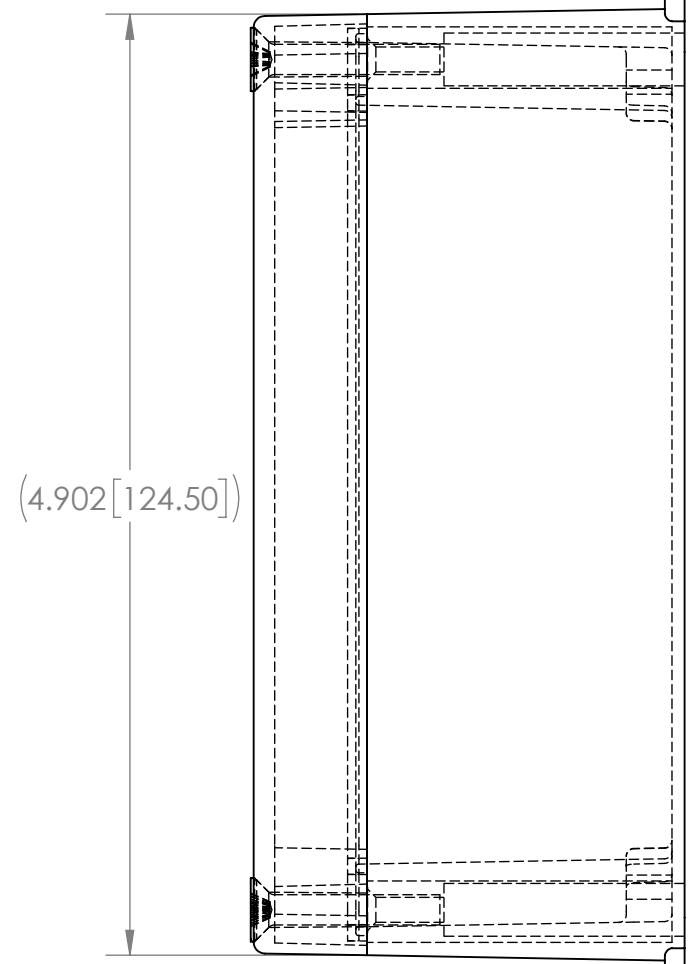
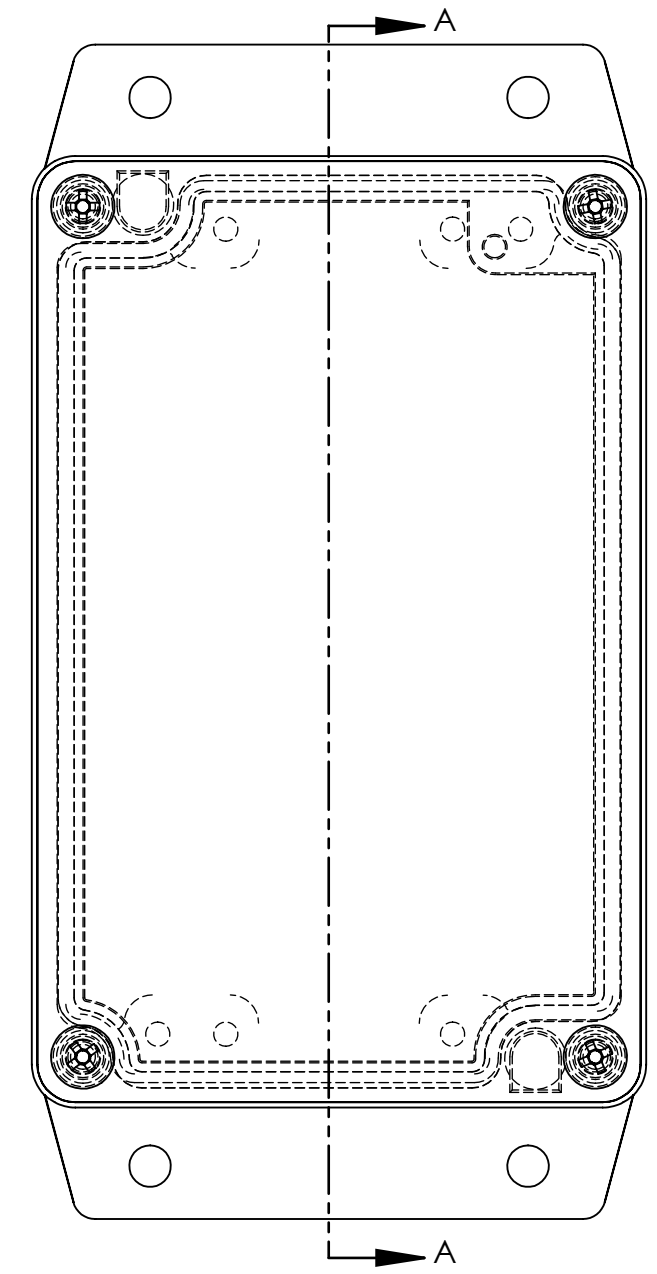


BOM Table								
ITEM NO.	PART NUMBER	Rev.	Description	Material	Color	AN-14F-01/QTY.	AN-14F-02/QTY.	
1	AN-14BF-01	-	ALUMINUM NEMA BASE WITH FLANGE	ALUMINUM ADC12	NATURAL	1	-	
2	AN-13C-01	-	COVER	ALUMINUM ADC12	NATURAL	1	-	
3	AN-14BF-02	-	ALUMINUM NEMA BASE WITH FLANGE	ALUMINUM ADC12	BLACK	-	1	
4	AN-13C-02	-	COVER	ALUMINUM ADC12	BLACK	-	1	
5	GASKET-113-01	-	GASKET	SILICONE	GRAY	1	1	
6	SCREWS-037-4	-	M4X0.7 X 25mm FHMS 4-PACK			1	1	

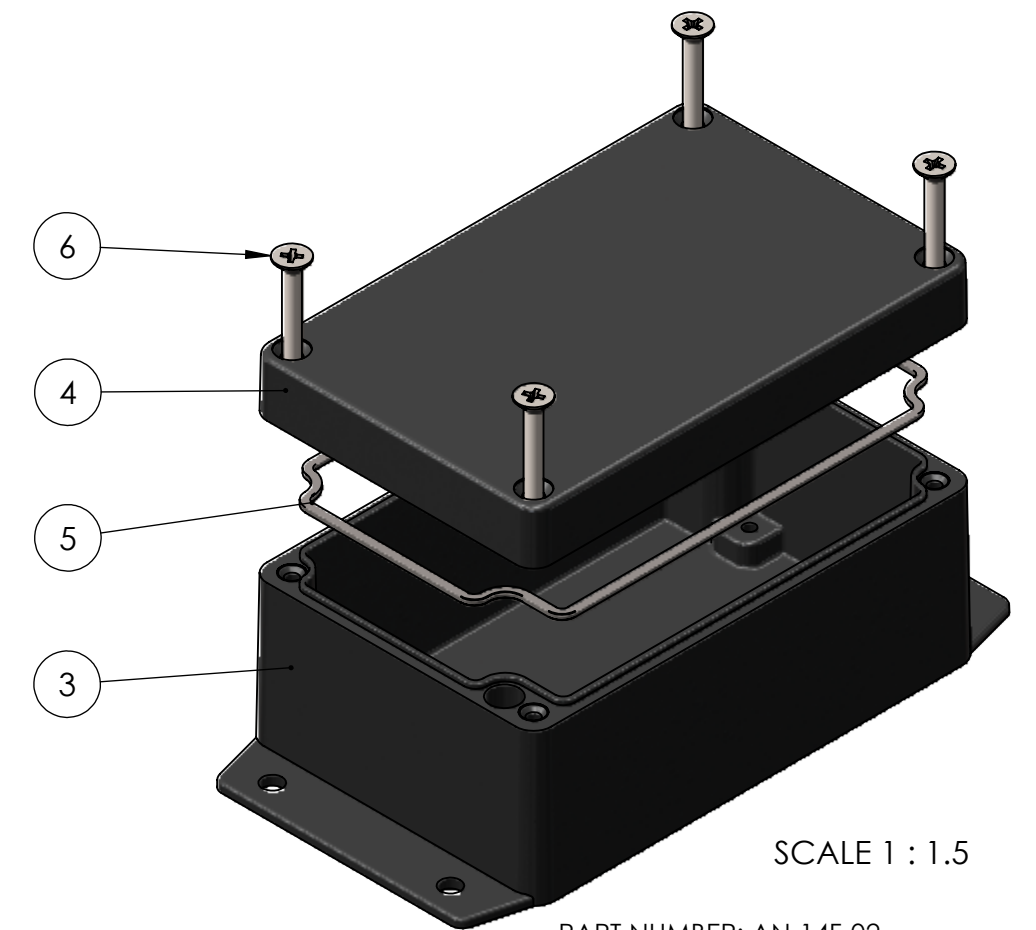


SECTION A-A



PART NUMBER: AN-14F-01

SCALE 1 : 1.5



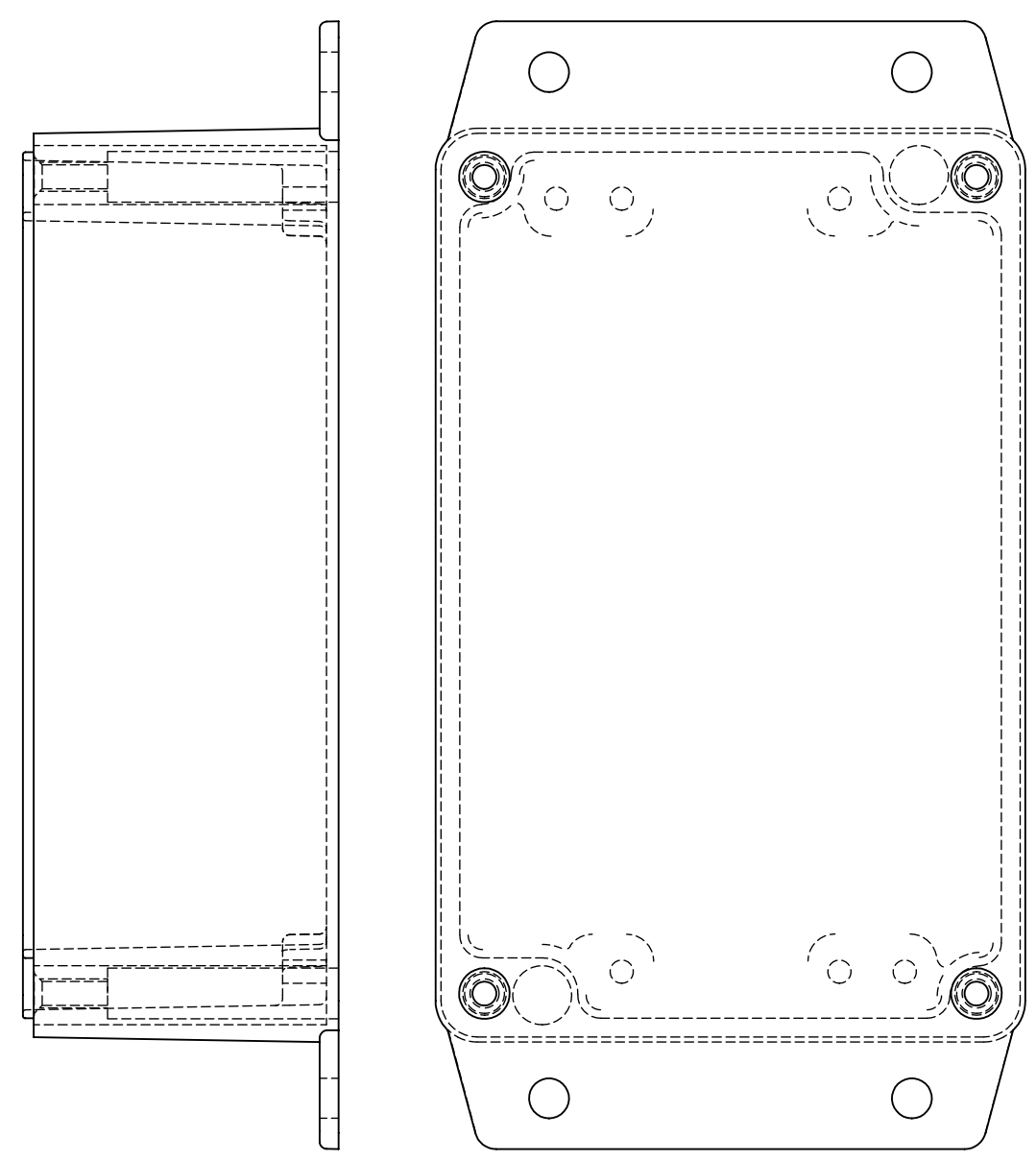
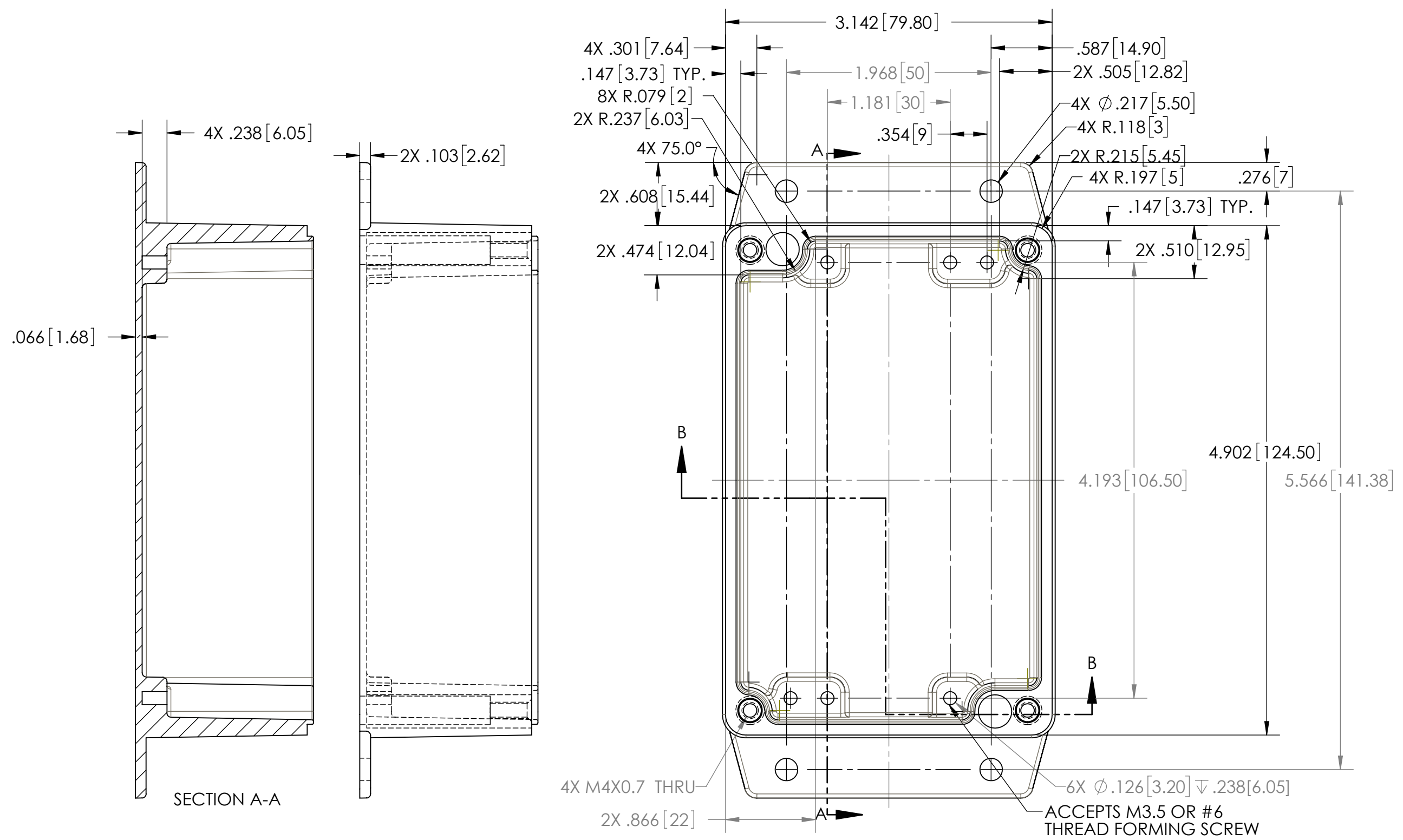
PART NUMBER: AN-14F-02

SCALE 1 : 1.5

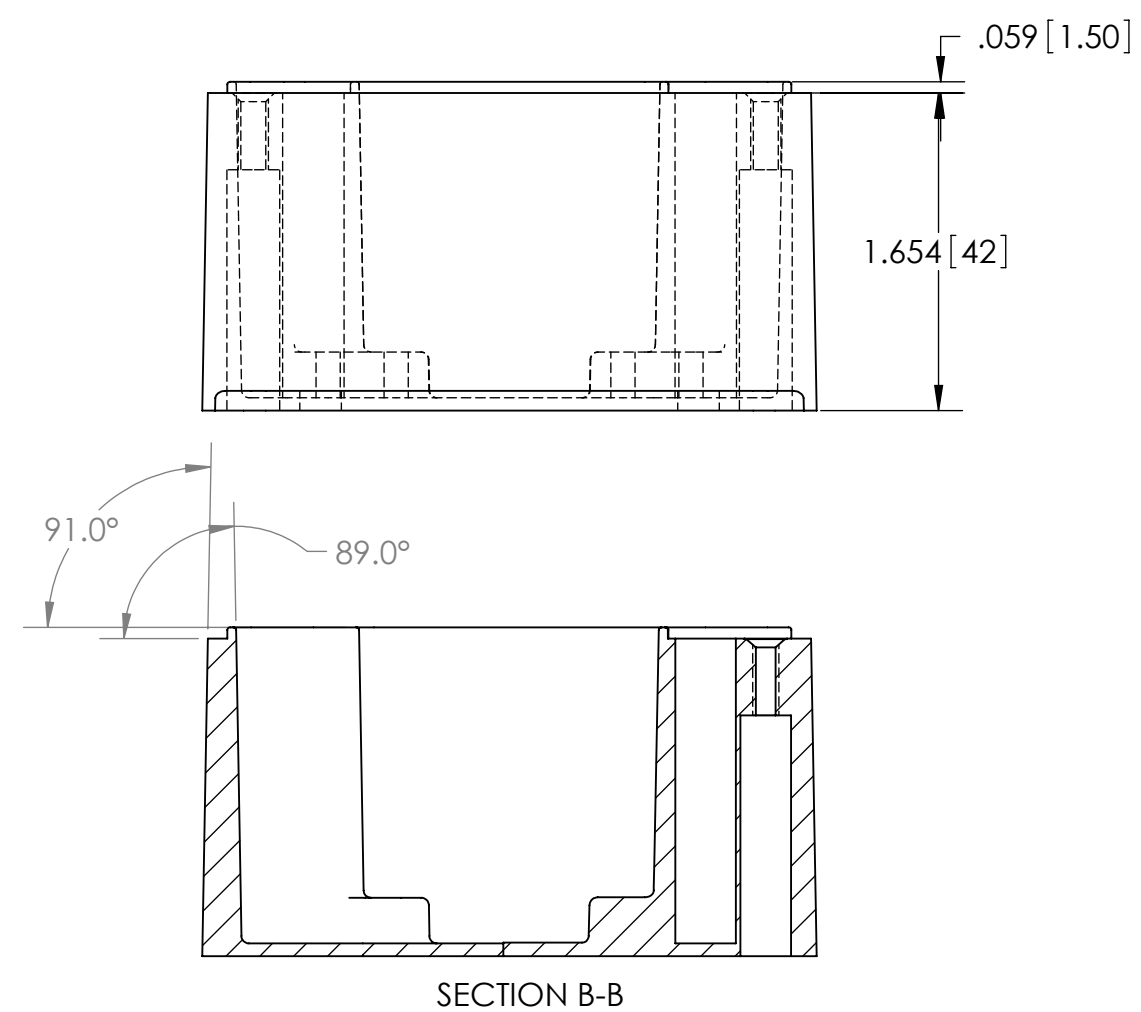
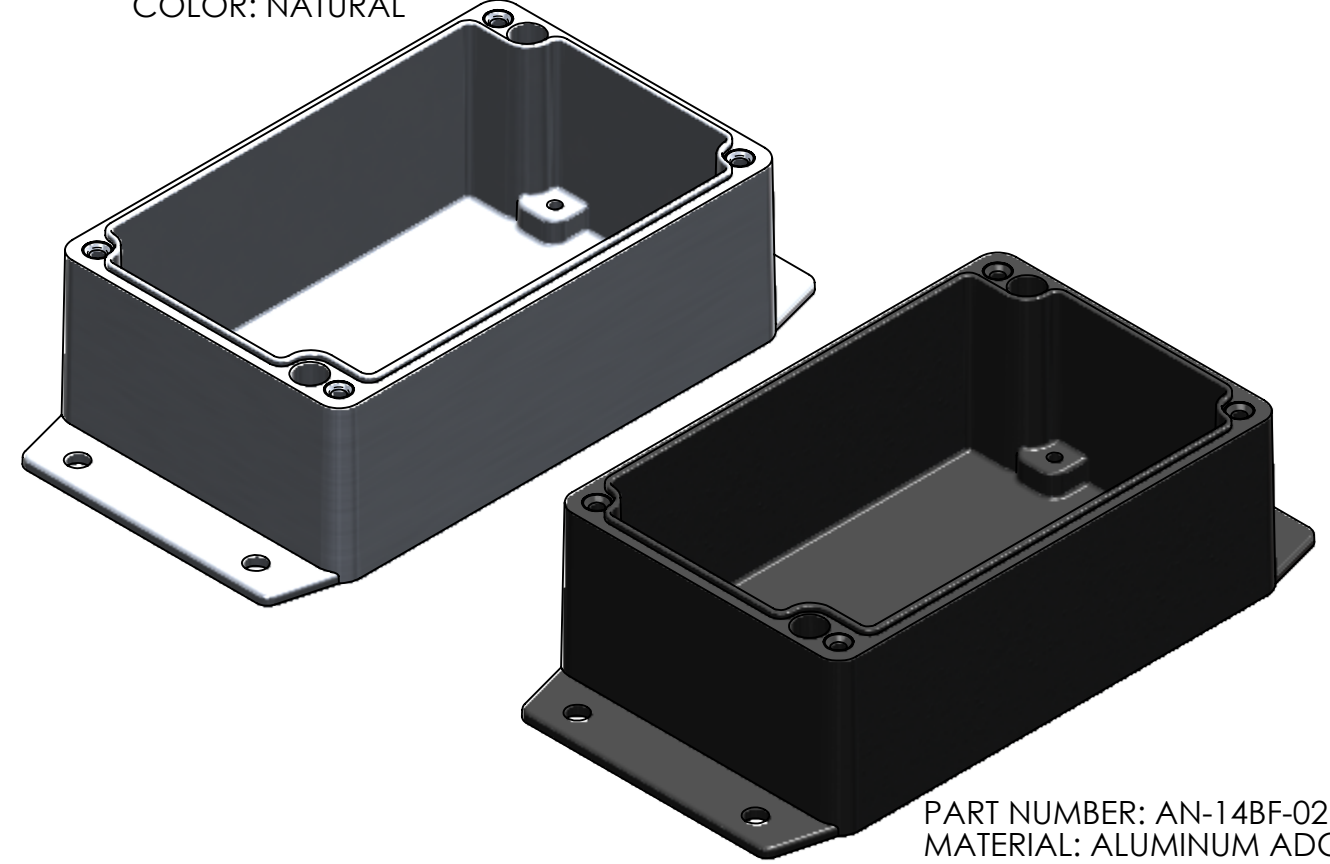
UNLESS OTHERWISE SPECIFIED: DIMENSIONS ARE IN: INCHES[mm] TOLERANCES: ANGULAR: ±2° TWO PLACE DECIMAL: ±.010 THREE PLACE DECIMAL: ±.005 PRINTED GRAPHICS: ±.010		PART NO. AS NOTED		MATERIAL AS NOTED		FLAME RATING -		SIZE C		SCALE: 1:1		SHEET 1 OF 1	
PROPRIETARY AND CONFIDENTIAL THE INFORMATION CONTAINED IN THIS DRAWING IS THE SOLE PROPERTY OF POLYCASE. ANY REPRODUCTION IN PART OR AS A WHOLE WITHOUT THE WRITTEN PERMISSION OF POLYCASE IS PROHIBITED. CAD FILE: AN-14F		DRAWN CHECKED		NAME D.M.F. C.C.B.		DATE 11/14/2016 12/27/2016		REV -					

REV.	DESCRIPTION	ZONE	BY	APPR'D	DATE
	REVISIONS				

		TOLERANCE CHART													
DIMENSION RANGE	0	.039	.118	.236	.394	.591	.866	1.181	1.575	2.087	2.756	3.543	4.724	6.299	7.874
	TOOL DEPENDENT	±.007	±.007	±.008	±.008	±.009	±.010	±.011	±.012	±.013	±.015	±.017	±.020	±.024	±.028
NON-TOOL DEPENDENT	±.003	±.004	±.004	±.004	±.005	±.006	±.007	±.008	±.009	±.011	±.013	±.016	±.020	±.024	±.031



PART NUMBER: AN-14BF-01  
 MATERIAL: ALUMINUM ADC12  
 COLOR: NATURAL



UNLESS OTHERWISE SPECIFIED:  
 DIMENSIONS ARE IN: INCHES[mm]  
 TOLERANCES: ANGULAR: ±.5°  
 TWO PLACE DECIMAL: ±.  
 THREE PLACE DECIMAL: ±.  
 PRINTED GRAPHICS: ±.010

PROPRIETARY AND CONFIDENTIAL  
 THE INFORMATION CONTAINED IN THIS  
 DRAWING IS THE SOLE PROPERTY OF  
 POLYCASE. ANY REPRODUCTION IN PART  
 OR AS A WHOLE WITHOUT THE WRITTEN  
 PERMISSION OF POLYCASE IS PROHIBITED.  
 CAD FILE: AN-14BF

PART NO.  
 AS NOTED

MATERIAL  
 AS NOTED

FLAME RATING  
 -

SIZE  
**C**

SCALE: 1:1

1305 CHESTER RD. PARKWAY AVON, OHIO 44011-1083 U.S.A.  
 PH: 1-800-248-1233 440-934-0444 FAX: 440-934-0088

REV

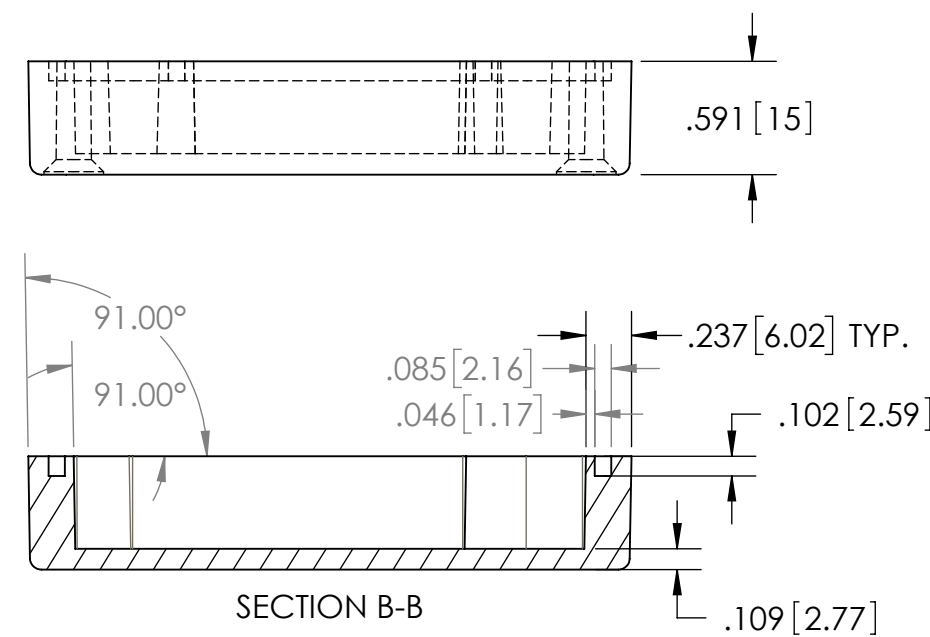
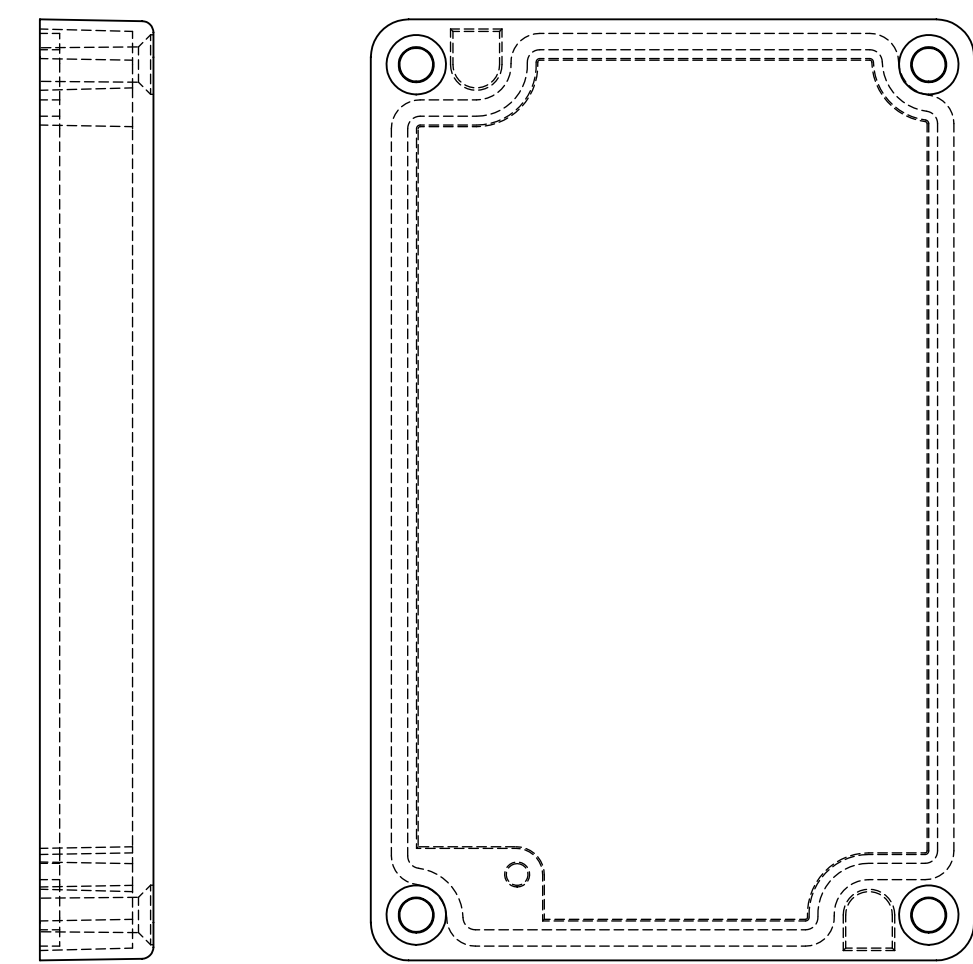
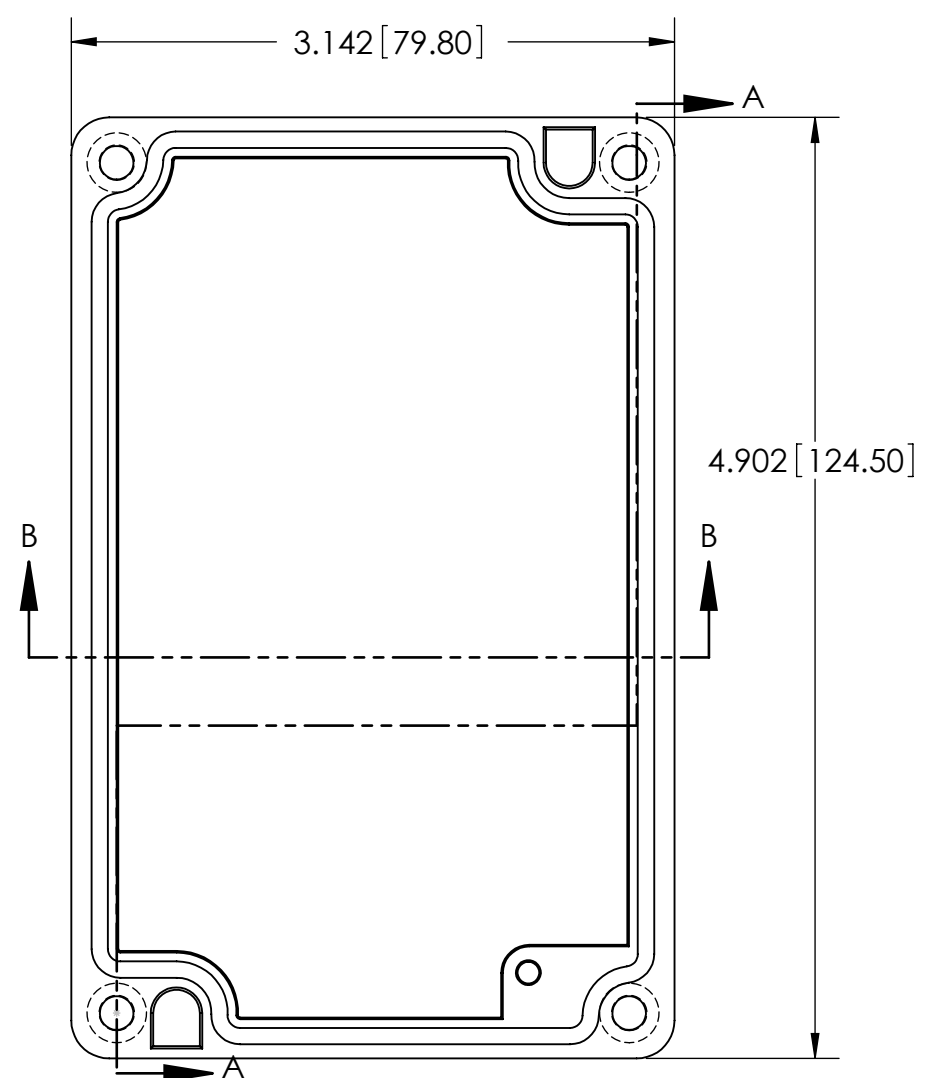
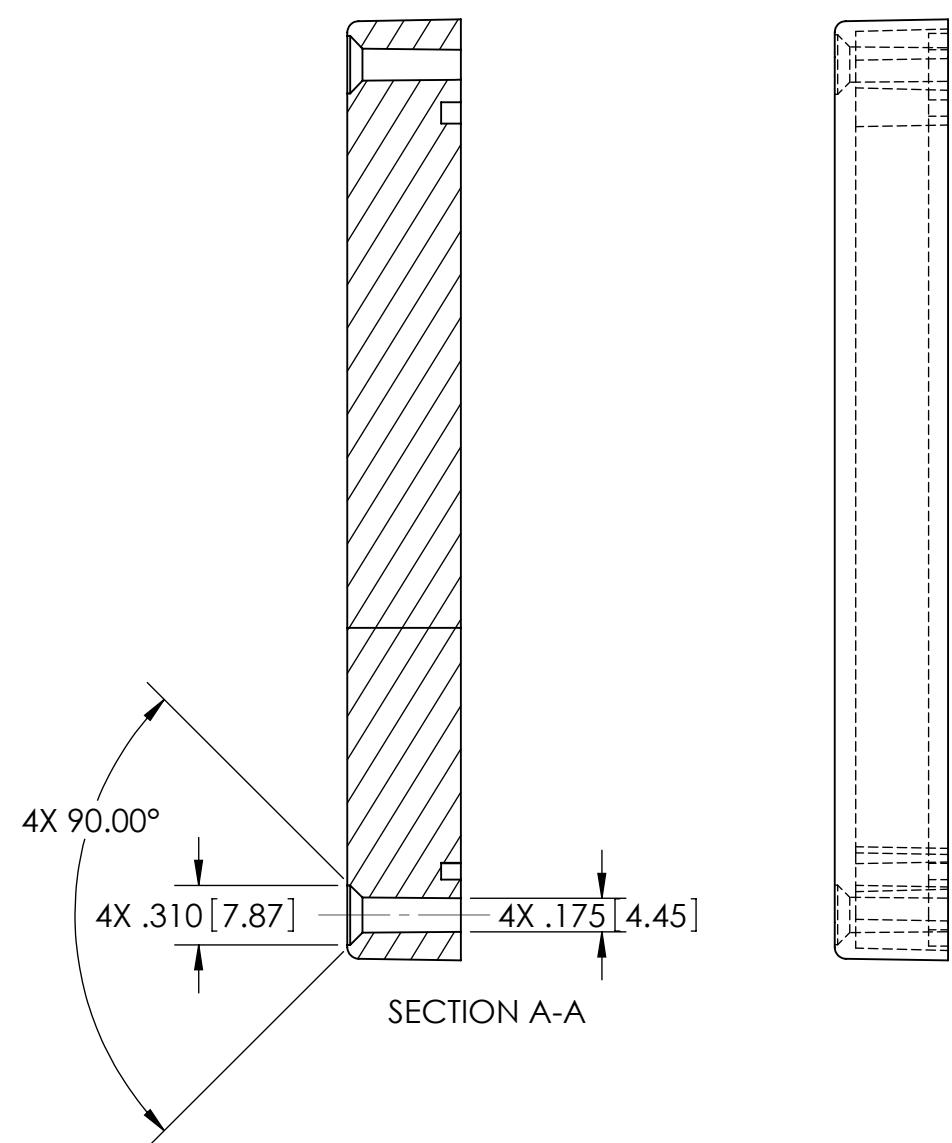
REV.	DESCRIPTION	ZONE	BY	APPR'D	DATE
REVISIONS					

DRAWN: NAME: DATE: 11/15/2016  
 CHECKED: D.M.F. C.C.B. 12/27/2016

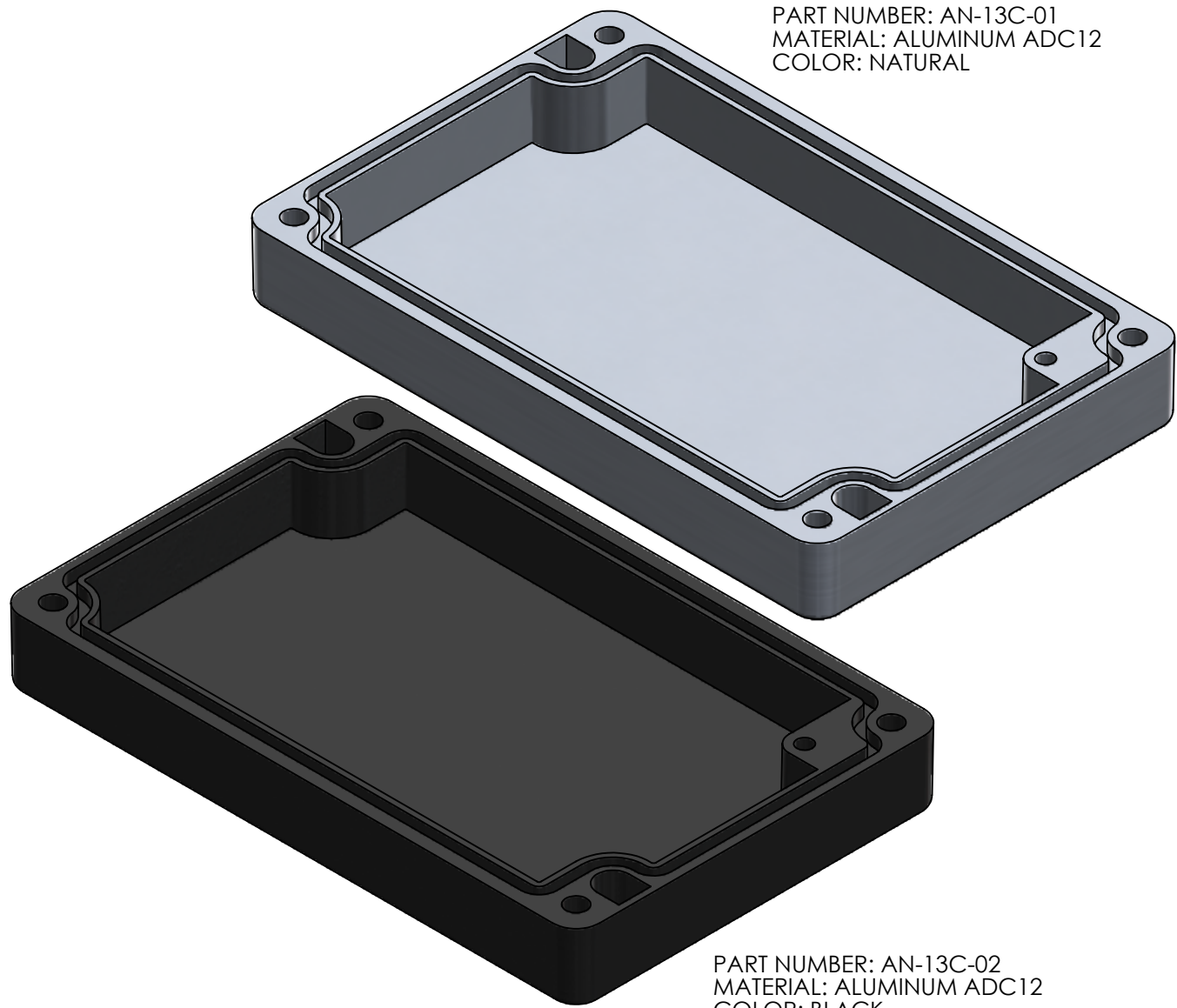
SHEET 1 OF 1

REV.	DESCRIPTION	ZONE	BY	APPR'D	DATE
REVISIONS					

		TOLERANCE CHART																			
DIMENSION RANGE	0	.039	.118	.236	.394	.591	.866	1.181	1.575	2.087	2.756	3.543	4.724	6.299	7.874	9.843	12.402	15.748	19.685	24.803	31.496
TOOL DEPENDENT	±.007	±.007	±.008	±.008	±.009	±.010	±.011	±.012	±.013	±.015	±.017	±.020	±.024	±.028	±.035	.043	.051	.063	.079	.098	.118
NON-TOOL DEPENDENT	±.003	±.004	±.004	±.004	±.005	±.006	±.007	±.008	±.009	±.011	±.013	±.016	±.020	±.024	±.031	.039	.047	.059	.075	.094	.114



PART NUMBER: AN-13C-01  
MATERIAL: ALUMINUM ADC12  
COLOR: NATURAL



PART NUMBER: AN-13C-02  
MATERIAL: ALUMINUM ADC12  
COLOR: BLACK

REV.	DESCRIPTION	ZONE	BY	APPR'D	DATE
REVISIONS					

UNLESS OTHERWISE SPECIFIED:  
DIMENSIONS ARE IN: INCHES[mm]  
TOLERANCES: ANGULAR: ±.5°  
TWO PLACE DECIMAL: ±  
THREE PLACE DECIMAL: ±  
PRINTED GRAPHICS: ±.010

PROPRIETARY AND CONFIDENTIAL  
THE INFORMATION CONTAINED IN THIS  
DRAWING IS THE SOLE PROPERTY OF  
POLYCASE. ANY REPRODUCTION IN PART  
OR AS A WHOLE WITHOUT THE WRITTEN  
PERMISSION OF POLYCASE IS PROHIBITED.  
CAD FILE: AN-13C

PART NO.  
AS NOTED

MATERIAL  
AS NOTED

FLAME RATING  
-

SIZE  
C

SCALE: 1:1

COVER

REV  
-

1305 CHESTER RD. PARKWAY AVON, OHIO 44011-1083 U.S.A.  
PH: 1-800-248-1233, 440-934-0444 FAX: 440-934-0088

DRAWN: D.M.F. DATE: 11/15/2016  
CHECKED: C.C.B. DATE: 12/27/2016

SHEET 1 OF 1