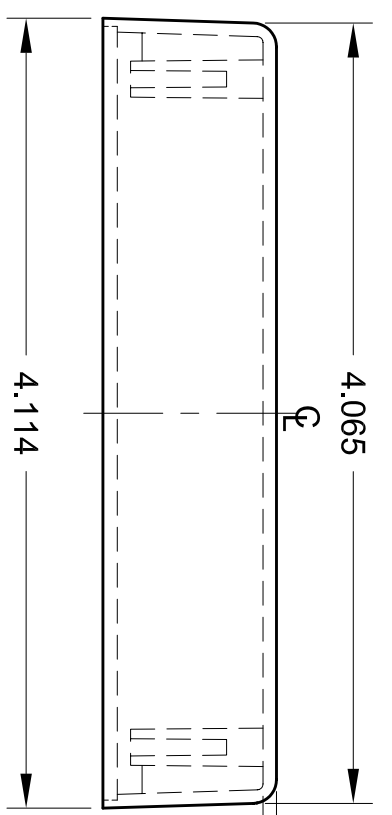
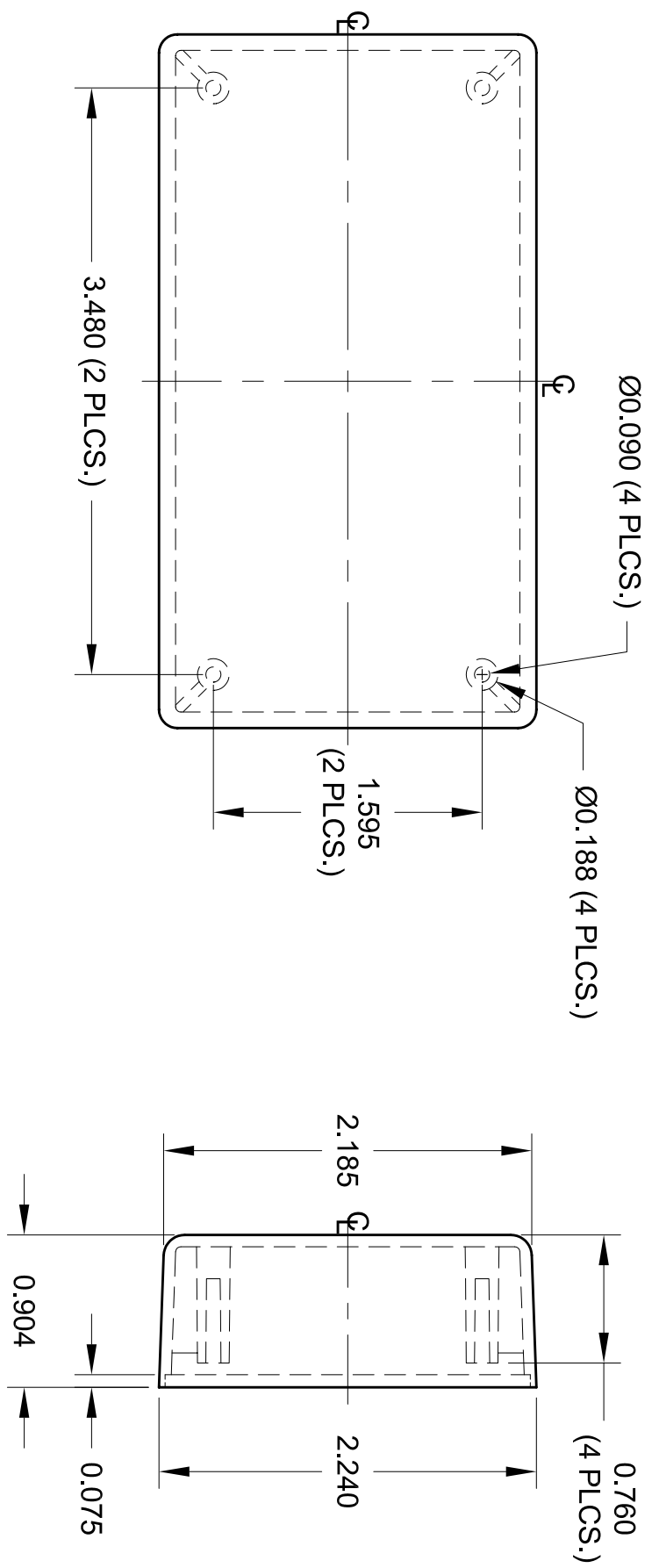


**NOTE:**  
 1.) PCB BOARD BOSSES WILL ACCEPT A #4 X 1/4" THREAD FORMING SCREW (SCREWS AVAILABLE FROM POLYCASE)

REV	DESCRIPTION	BY	CHK	DATE	TOLERANCES UNLESS OTHERWISE SPECIFIED X.XX ±.020 X.XXX ±.010		1305 CHESTER RD. PARKWAY AVON, OHIO 44011 U.S.A. PH# 1-800-248-1233, 440-934-4444 FAX# 440-934-0088	DRWN BY	APP. BY	SCALE	DATE:
					THIS DRAWING AND THE INFORMATION CONTAINED ARE THE PROPERTY OF POLYCASE AND IT IS NOT TO BE REPRODUCED, COPIED OR USED IN ANY WAY DETRIMENTAL TO THE INTEREST OF POLYCASE.		JOB NO:	B.B.	FULL	07/21/00	
						CUSTOMER:				PRODUCT:	
										ID-2406B	
											TITLE: PRODUCT DETAIL DRAWING



0.070  
WALL THK. (TYP.)



REV	DESCRIPTION	BY	CHK	DATE

TOLERANCES UNLESS OTHERWISE SPECIFIED  
 X.XX ±.020  
 X.XXX ±.010

1305 CHESTER RD., PARKWAY AVON, OHIO 44011 U.S.A.  
 PH# 1-800-248-1233, 440-934-4444 FAX# 440-934-0088

THIS DRAWING AND THE INFORMATION CONTAINED ARE THE PROPERTY OF POLYCASE AND IT IS NOT TO BE REPRODUCED, COPIED OR USED IN ANY WAY DETRIMENTAL TO THE INTEREST OF POLYCASE.

DRWN BY	APP. BY	SCALE	DATE:
M.M.T.	B.B.	FULL	07/11/00
JOB NO:	PRODUCT:		
-	TS-2409BP		
CUSTOMER:			
TITLE: PRODUCT DETAIL DRAWING			