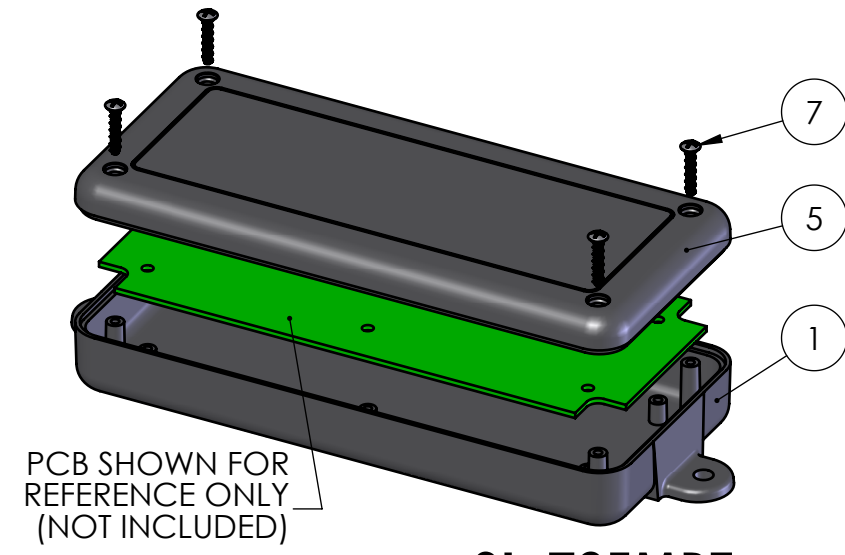
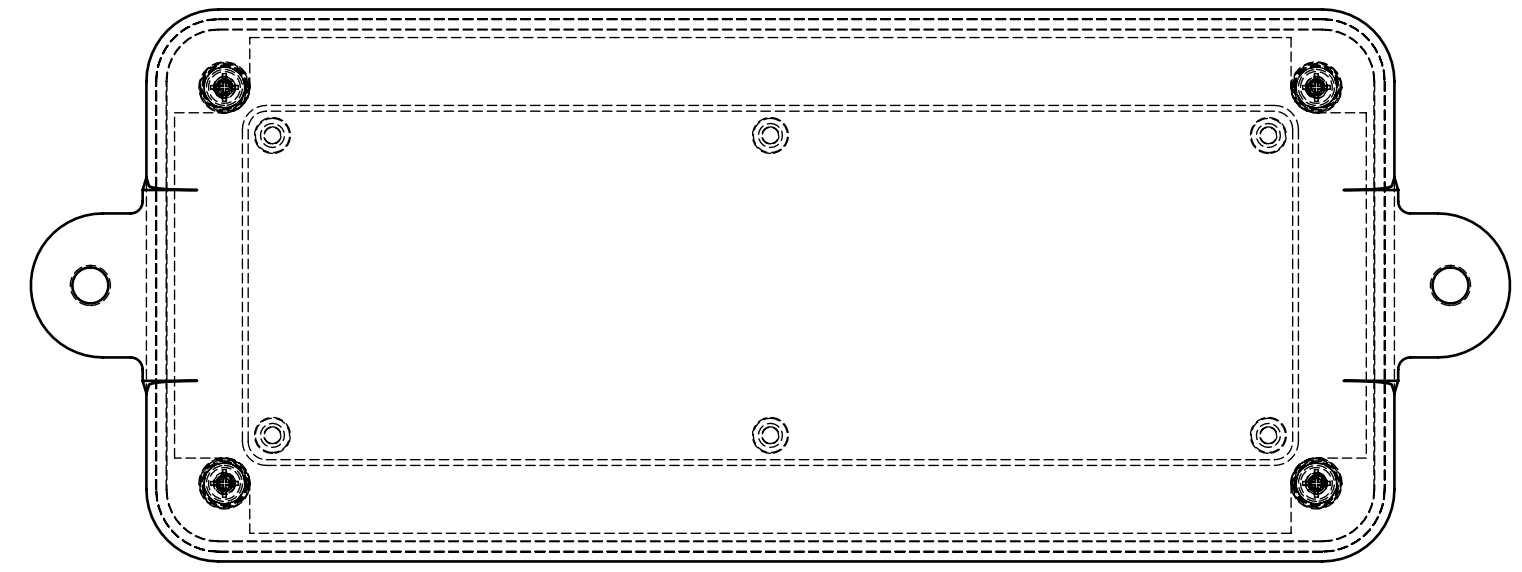
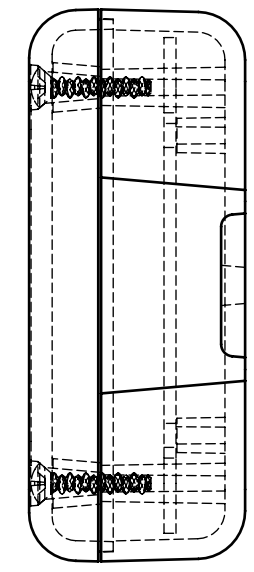
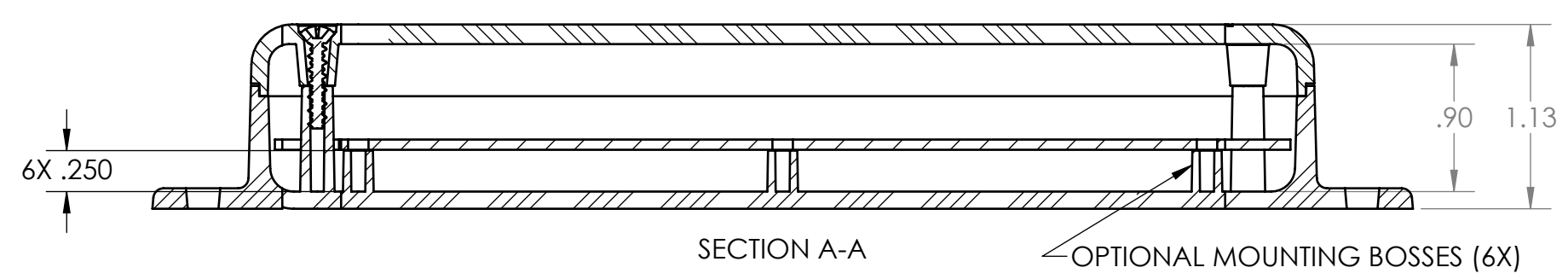
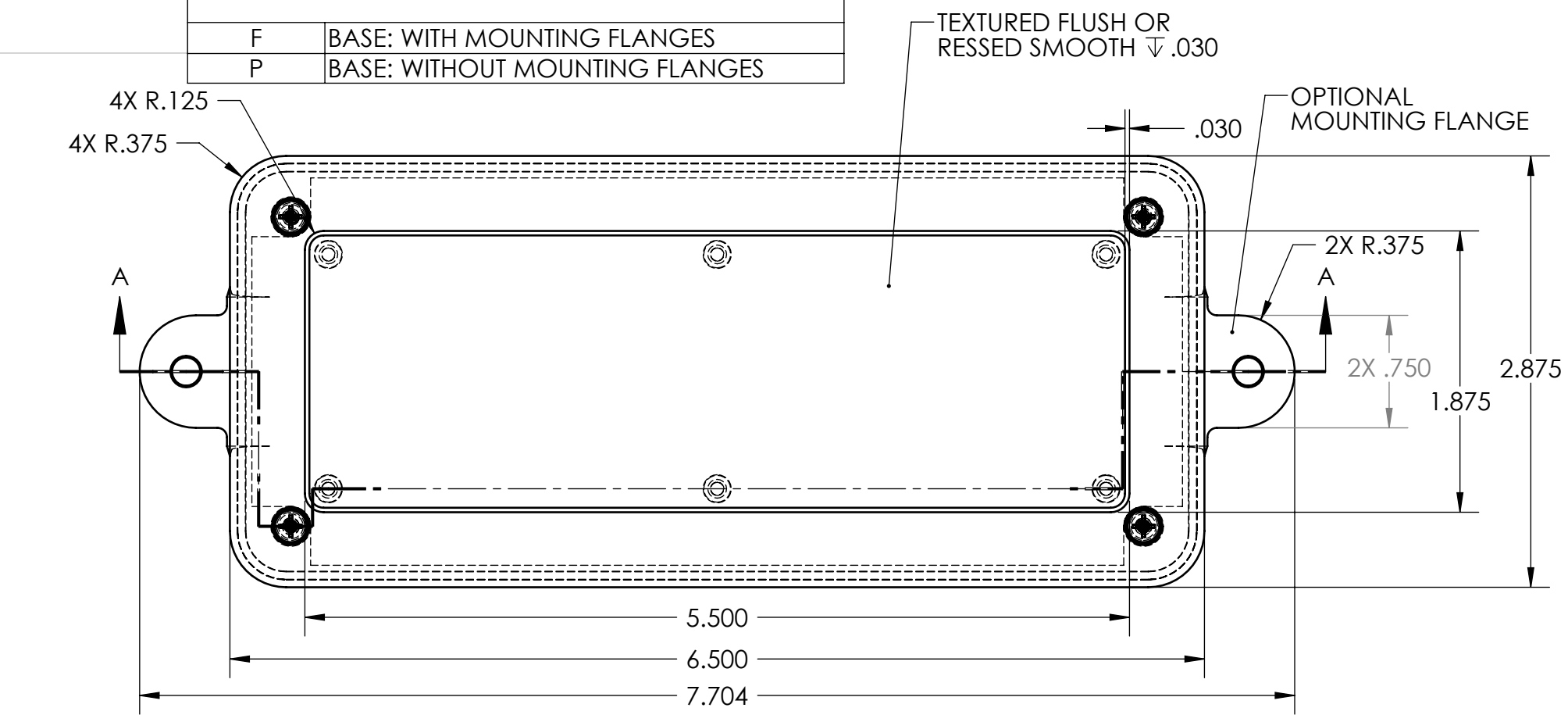


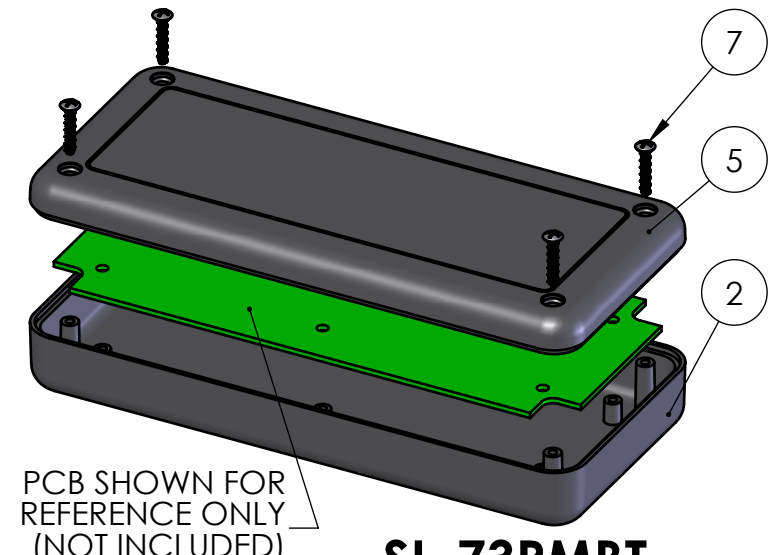
ITEM NO.	PART NUMBER	DESCRIPTION	SL-73FMBT/QTY.	SL-73PMBT/QTY.	SL-73FXXT/QTY.	SL-73PXXT/QTY.	SL-73FMBR/QTY.	SL-73FXXR/QTY.	SL-73PMBR/QTY.	SL-73PXXR/QTY.
1	SL-73BFMB	BASE: WITH FLANGES, WITH MOUNTING BOSSES	1	-	-	-	1	-	-	-
2	SL-73BPMB	BASE: WITHOUT FLANGES, WITH MOUNTING BOSSES	-	1	-	-	-	-	1	-
3	SL-73BFXX	BASE: WITH FLANGES, WITHOUT MOUNTING BOSSES	-	-	1	-	-	1	-	-
4	SL-73BPXX	BASE: WITHOUT FLANGES, WITHOUT MOUNTING BOSSES	-	-	-	1	-	-	-	1
5	SL-73C-T	COVER: TEXTURED FLUSH	1	1	1	1	-	-	-	-
6	SL-73C-R	COVER: RECESSED SMOOTH	-	-	-	-	1	1	1	1
7	SCREWS-HL5/8-BR	4-24 X .625 CROSS OVAL C'SUNK HEAD THREAD FORMING SCREW	4	4	4	4	4	4	4	4

SL-73

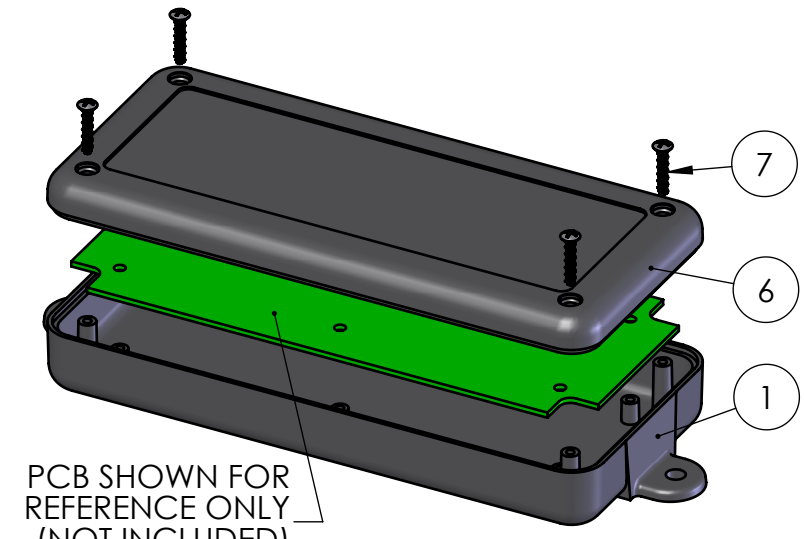
General Table	
ENCLOSURE OPTIONS	
CODE	DESCRIPTION
OMIT	COLOR: BLACK
*01	COLOR: GRAY
*03	COLOR: BONE
T	COVER: TEXTURED FLUSH
R	COVER: RECESSED SMOOTH
MB	BASE: WITH MOUNTING BOSSES
XX	BASE: WITHOUT MOUNTING BOSSES
F	BASE: WITH MOUNTING FLANGES
P	BASE: WITHOUT MOUNTING FLANGES



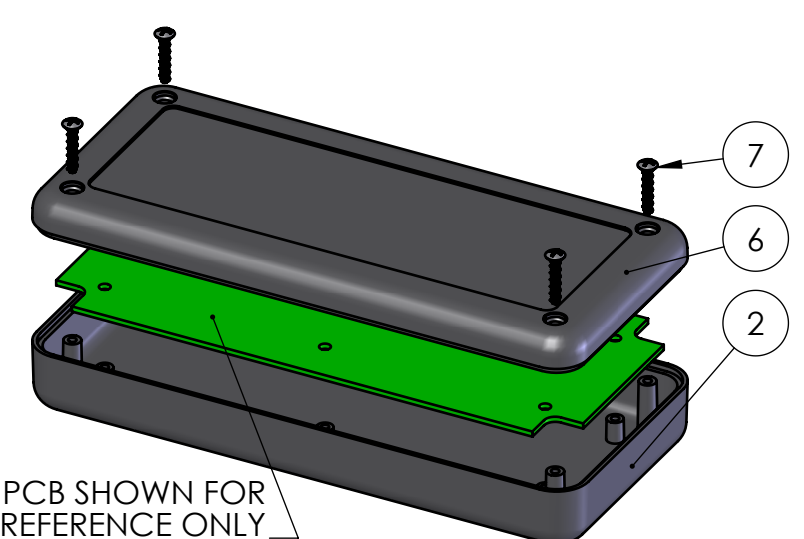
SL-73FMBT



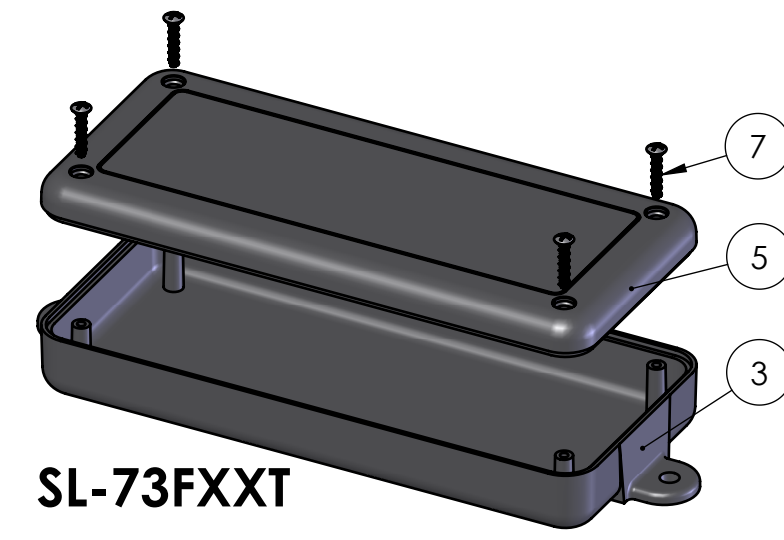
SL-73PMBT



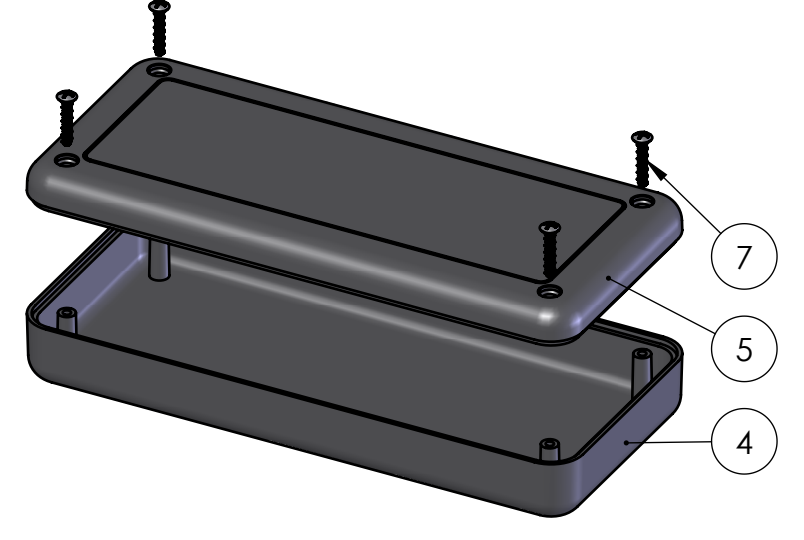
SL-73FMBR



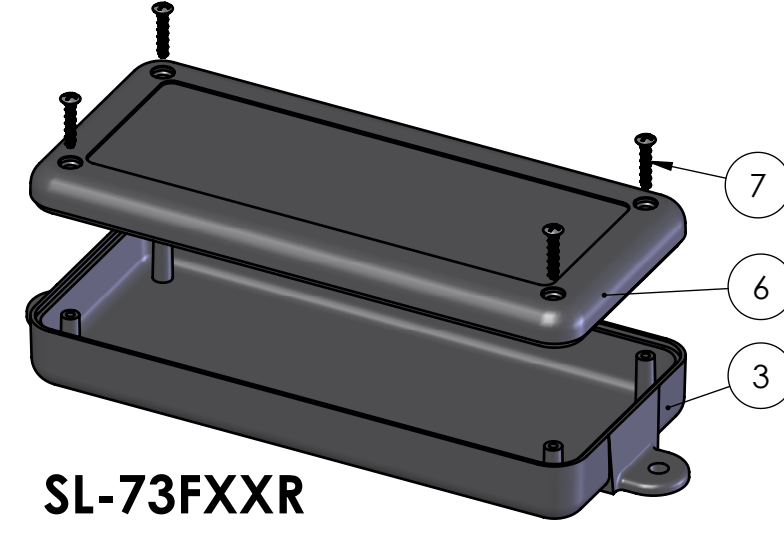
SL-73PMBR



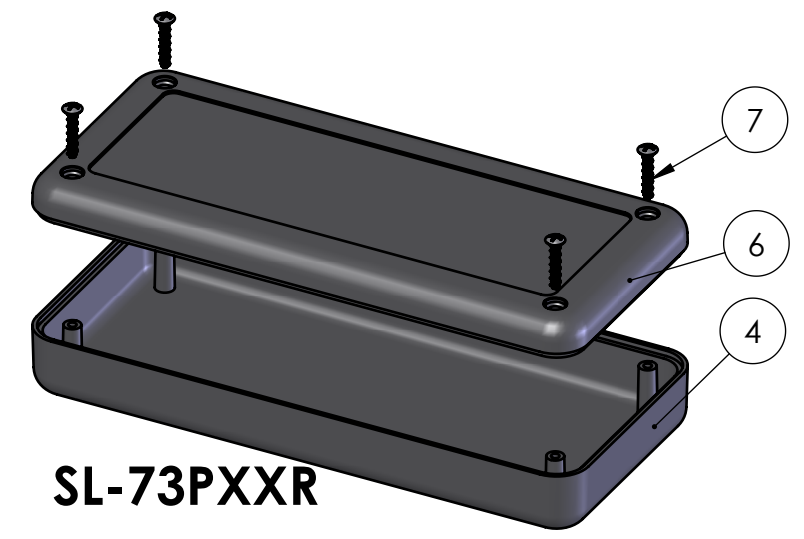
SL-73FXXT



SL-73PXXT



SL-73FXXR



SL-73PXXR

NOTES:
1. PCB MOUNTING BOSSES WILL ACCEPT A #4 X .250 LONG THREAD FORMING SCREW (SCREWS AVAILABLE FROM POLYCASE)

ZONE	REV.	DESCRIPTION	BY	APP'D	DATE
REVISIONS					

UNLESS OTHERWISE SPECIFIED:
DIMENSIONS ARE IN: INCHES (mm)
TOLERANCES: ANGULAR: ±2°
TWO PLACE DECIMAL: ±.030
THREE PLACE DECIMAL: ±.015

PROPRIETARY AND CONFIDENTIAL
THE INFORMATION CONTAINED IN THIS DRAWING IS THE SOLE PROPERTY OF POLYCASE. ANY REPRODUCTION IN PART OR AS A WHOLE WITHOUT THE WRITTEN PERMISSION OF POLYCASE IS PROHIBITED.
CAD FILE: SL-73_ASSEMBLY

PART NO. SL-73_ASSEMBLY
PRODUCT

CLIENT

NAME DATE
D.M.F. 7/10/2008
B.M.B. 7/10/2008

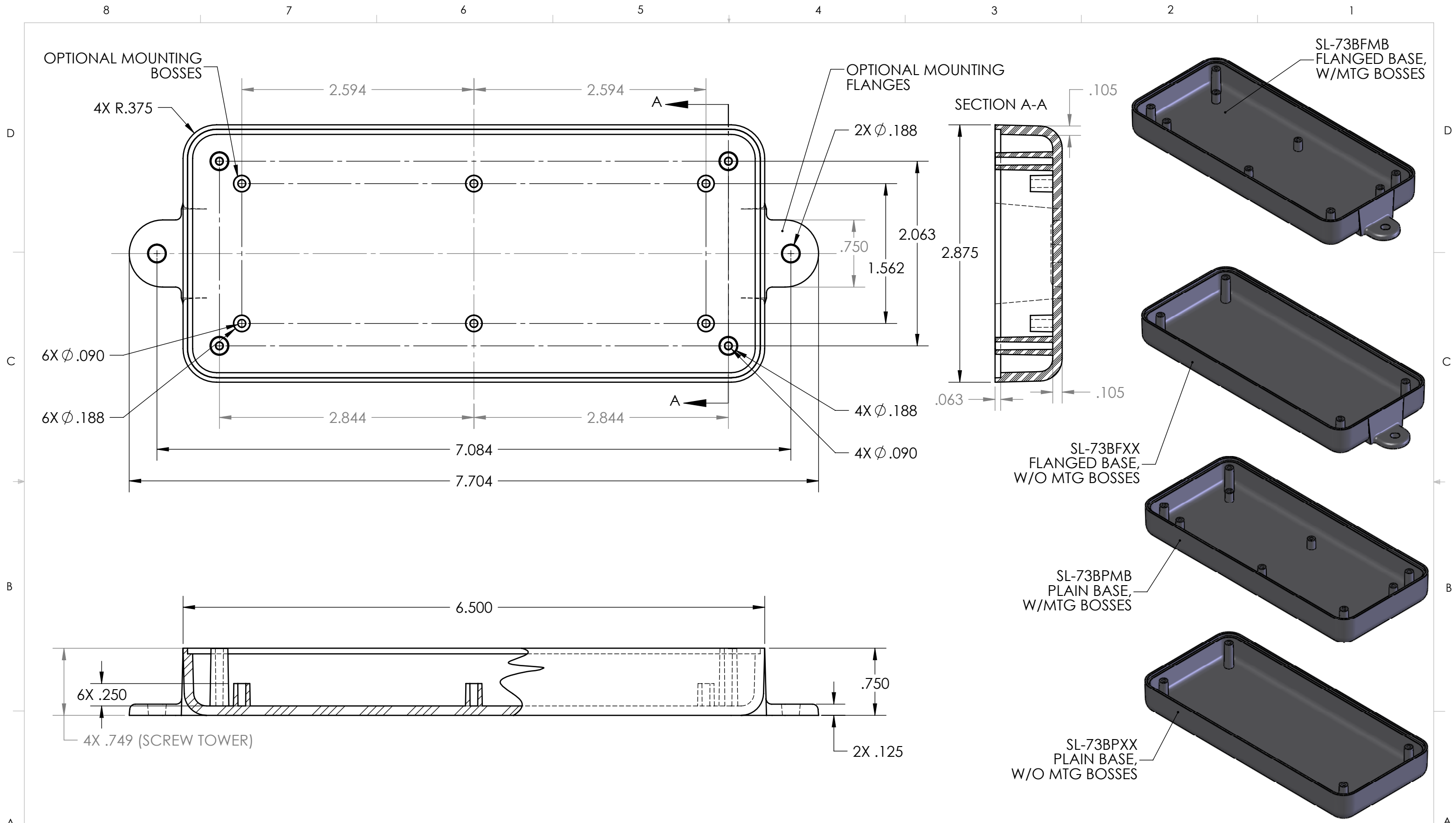
POLYCASE™
YOUR PERFECT FIT
1305 CHESTER IND. PARKWAY AVON, OHIO 44011-1083 U.S.A.
PH: 1-800-248-1233, 440-934-0444 FAX: 440-934-0088

SCALE: 1:1

TITLE: Product Detail Drawing

REV -

SHEET 1 OF 1



NOTES:
 1) PC BOARD WILL ACCEPT A #4 X 1/4" THREAD FORMING SCREW.
 (SCREWS AVAILABLE FROM POLYCASE)

ZONE	REV.	DESCRIPTION	BY	APPR'D	DATE
-	-	INITIAL RELEASE	D.M.F.	B.M.B.	7/10/2008
REVISIONS					

UNLESS OTHERWISE SPECIFIED:
 DIMENSIONS ARE IN: INCHES[mm]
 TOLERANCES: ANGULAR: ±2°
 TWO PLACE DECIMAL: ±.030
 THREE PLACE DECIMAL: ±.015

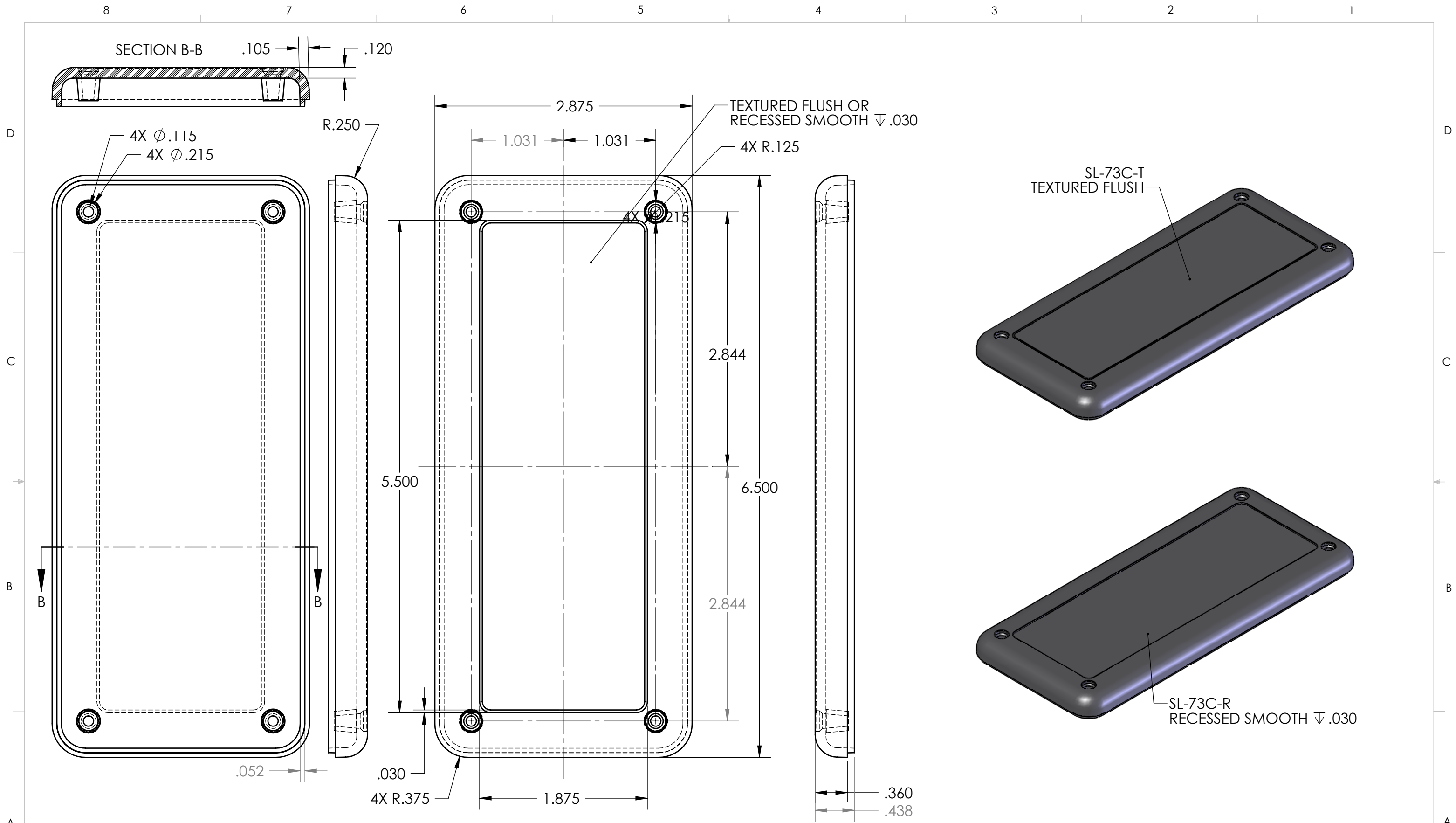
PROPRIETARY AND CONFIDENTIAL
 THE INFORMATION CONTAINED IN THIS DRAWING IS THE SOLE PROPERTY OF POLYCASE. ANY REPRODUCTION IN PART OR AS A WHOLE WITHOUT THE WRITTEN PERMISSION OF POLYCASE IS PROHIBITED.

CAD FILE: SL-73B

PART NO. SL-73B		
PRODUCT -		
CLIENT -		
DRAWN	NAME	DATE
CHECKED	B.M.B.	7/10/2008

POLYCASE™
 YOUR PERFECT FIT
 1305 CHESTER IND. PARKWAY AVON, OHIO 44011-1083 U.S.A.
 PH#: 1-800-248-1233, 440-934-0444 FAX#: 440-934-0088

SIZE B	TITLE: Secondary Operations Drawing	REV -
SCALE: 1:1	SHEET 1 OF 1	



UNLESS OTHERWISE SPECIFIED:
 DIMENSIONS ARE IN: INCHES[mm]
 TOLERANCES: ANGULAR: ±2°
 TWO PLACE DECIMAL: ±.030
 THREE PLACE DECIMAL: ±.015

PROPRIETARY AND CONFIDENTIAL
 THE INFORMATION CONTAINED IN THIS
 DRAWING IS THE SOLE PROPERTY OF
 POLYCASE. ANY REPRODUCTION IN PART
 OR AS A WHOLE WITHOUT THE WRITTEN
 PERMISSION OF POLYCASE IS PROHIBITED.
 CAD FILE: SL-73C

PART NO.
 SL-73C
 PRODUCT
 -

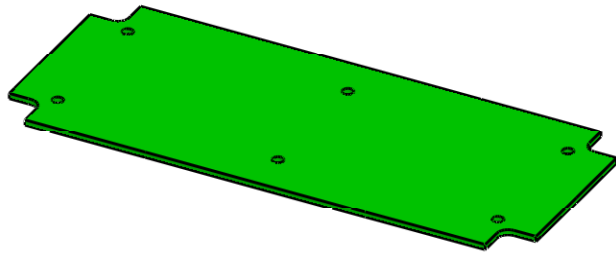
CLIENT
 -

DRAWN	NAME	DATE
CHECKED	D.M.F.	7/10/2008
	B.M.B.	7/10/2008

POLYCASE™
 YOUR PERFECT FIT
 1305 CHESTER IND. PARKWAY AVON, OHIO 44011-1083 U.S.A.
 PH#: 1-800-248-1233, 440-934-0444 FAX#: 440-934-0088

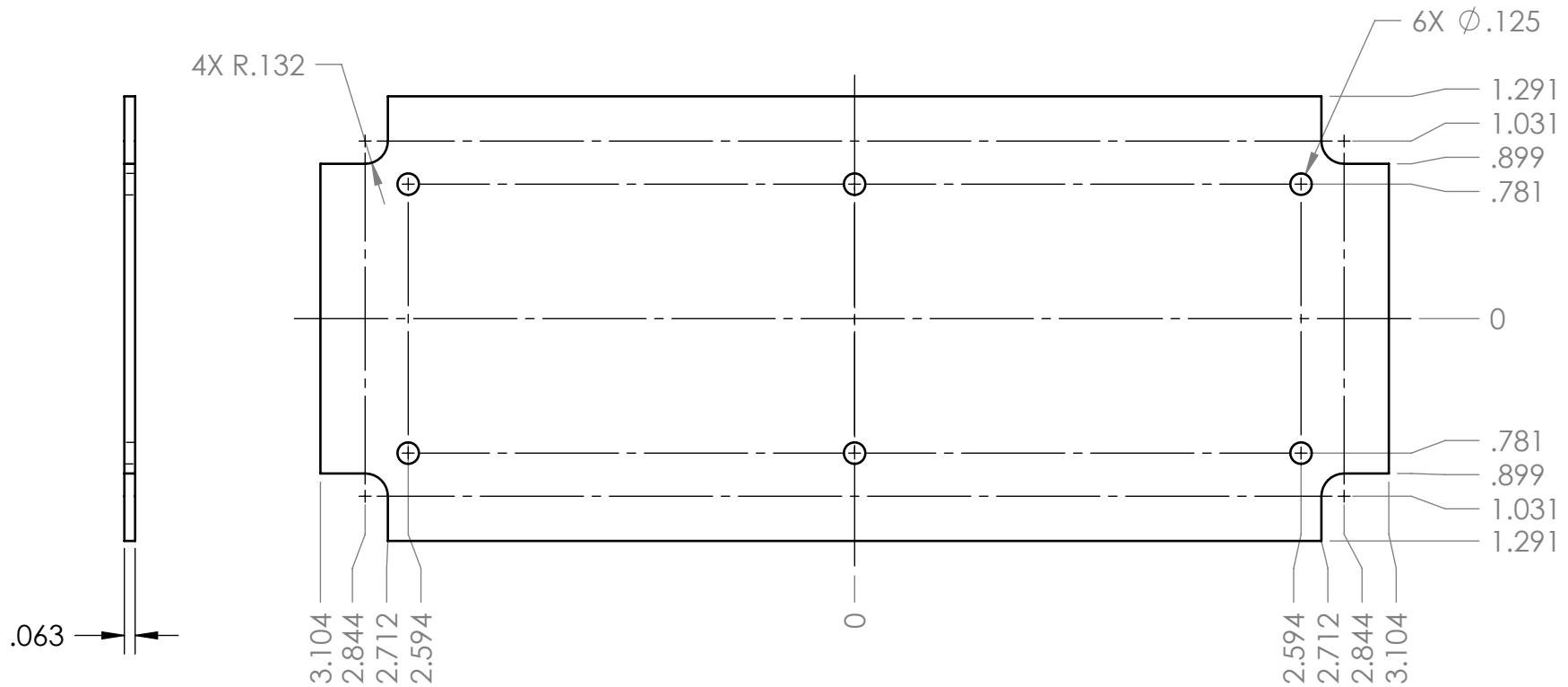
SIZE B	TITLE: Secondary Operations Drawing	REV -
SCALE: 1:1	SHEET 1 OF 1	


ZONE	REV.	DESCRIPTION	BY	APPR'D	DATE
-	-	INITIAL RELEASE	D.M.F.	B.M.B.	7/10/2008
REVISIONS					



NOTES:

1. PCB SIZES INCLUDE .03 CLEARANCE FROM INNER WALLS AND SCREW TOWERS.
2. PCB BOSSES WILL ACCEPT A #4 X 1/4 LONG THREAD FORMING SCREW. (SCREWS ARE AVAILABLE FROM POLYCASE)



<p>UNLESS OTHERWISE SPECIFIED: DIMENSIONS ARE IN: INCHES[mm] TOLERANCES: ANGULAR: ±2° TWO PLACE DECIMAL: ±.030 THREE PLACE DECIMAL: ±.015</p>		<p>PART NO. SL-73PCB</p>		 <p>POLYCASE™ YOUR PERFECT FIT 1305 CHESTER IND. PARKWAY AVON, OHIO 44011-1083 U.S.A. PH#: 1-800-248-1233, 440-934-0444 FAX#: 440-934-0088</p>	
<p>PROPRIETARY AND CONFIDENTIAL THE INFORMATION CONTAINED IN THIS DRAWING IS THE SOLE PROPERTY OF POLYCASE. ANY REPRODUCTION IN PART OR AS A WHOLE WITHOUT THE WRITTEN PERMISSION OF POLYCASE IS PROHIBITED.</p>		<p>PRODUCT -</p>		<p>CLIENT -</p>	
<p>CAD FILE: SL-73PCB</p>		<p>NAME DATE D.M.F. 7/11/2008 B.M.B. 7/11/2008</p>		<p>SIZE A</p>	
<p>TITLE: Secondary Operations Drawing</p>		<p>SCALE: 1:1</p>		<p>REV -</p>	

ZONE	REV.	DESCRIPTION	BY	APPR'D	DATE
REVISIONS					

5

4

3

2

1

SHEET 1 OF 1