

Page 1 of 1

POLYCASE
YOUR PERFECT FIT

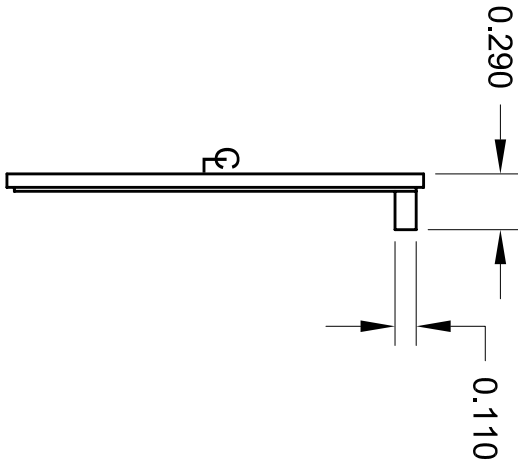
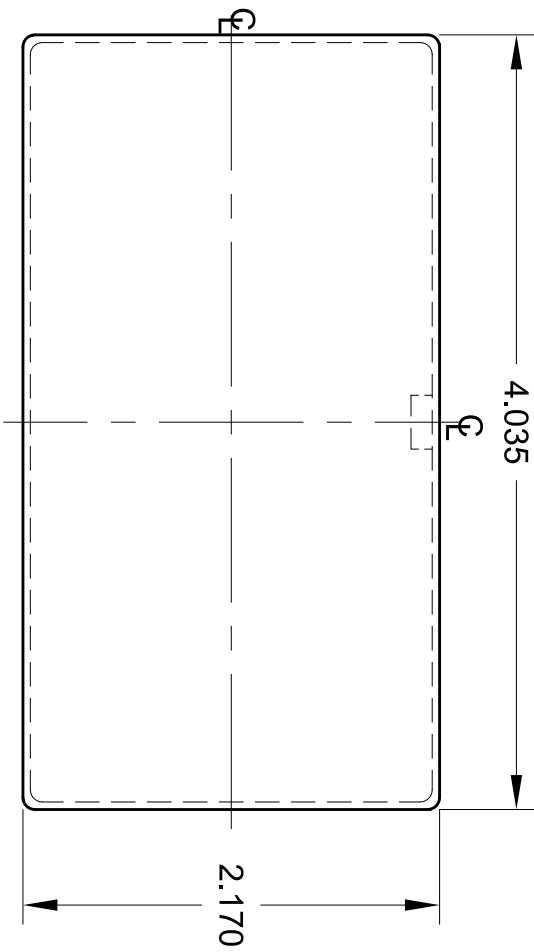
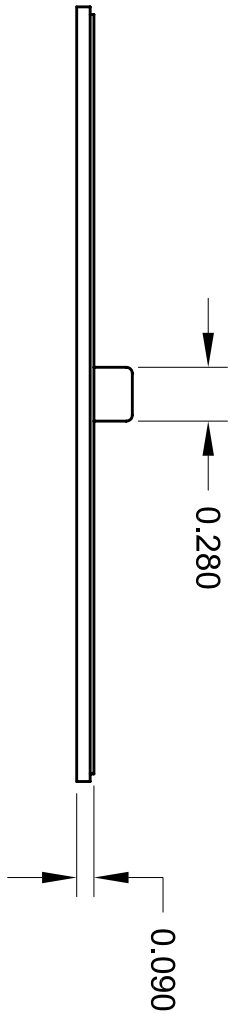
REV	DESCRIPTION	BY	CHK	DATE

TOLERANCES UNLESS OTHERWISE SPECIFIED
X.XX ±.020
X.XXX ±.010

1305 CHESTER RD., PARKWAY AVON, OHIO 44011 U.S.A.
PH# 1-800-248-1233, 440-934-4444 FAX# 440-934-0088

THIS DRAWING AND THE INFORMATION CONTAINED ARE THE PROPERTY OF POLYCASE AND IT IS NOT TO BE REPRODUCED, COPIED OR USED IN ANY WAY DETRIMENTAL TO THE INTEREST OF POLYCASE.

DRWN BY M.M.T.	APP. BY B.B.	SCALE FULL	DATE: 07/11/00
JOB NO: -	PRODUCT: 2409-TX	CUSTOMER: -	TITLE: PRODUCT DETAIL DRAWING



NOTE:
1.) COVER SOLD SEPARATELY.

Page 1 of 1



REV	DESCRIPTION	BY	CHK	DATE

TOLERANCES UNLESS OTHERWISE SPECIFIED
 X.XX ±.020
 X.XXX ±.010

1305 CHESTER RD. PARKWAY AVON, OHIO 44011 U.S.A.
 PH# 1-800-248-1233, 440-934-4444 FAX# 440-934-0088

THIS DRAWING AND THE INFORMATION CONTAINED ARE THE PROPERTY OF POLYCASE AND IT IS NOT TO BE REPRODUCED, COPIED OR USED IN ANY WAY DETRIMENTAL TO THE INTEREST OF POLYCASE.

DRWN BY	APP. BY	SCALE	DATE:
M.M.T.	B.B.	FULL	07/11/00
JOB NO:	PRODUCT:	C-0204-N	
CUSTOMER:			
TITLE: PRODUCT DETAIL DRAWING			