

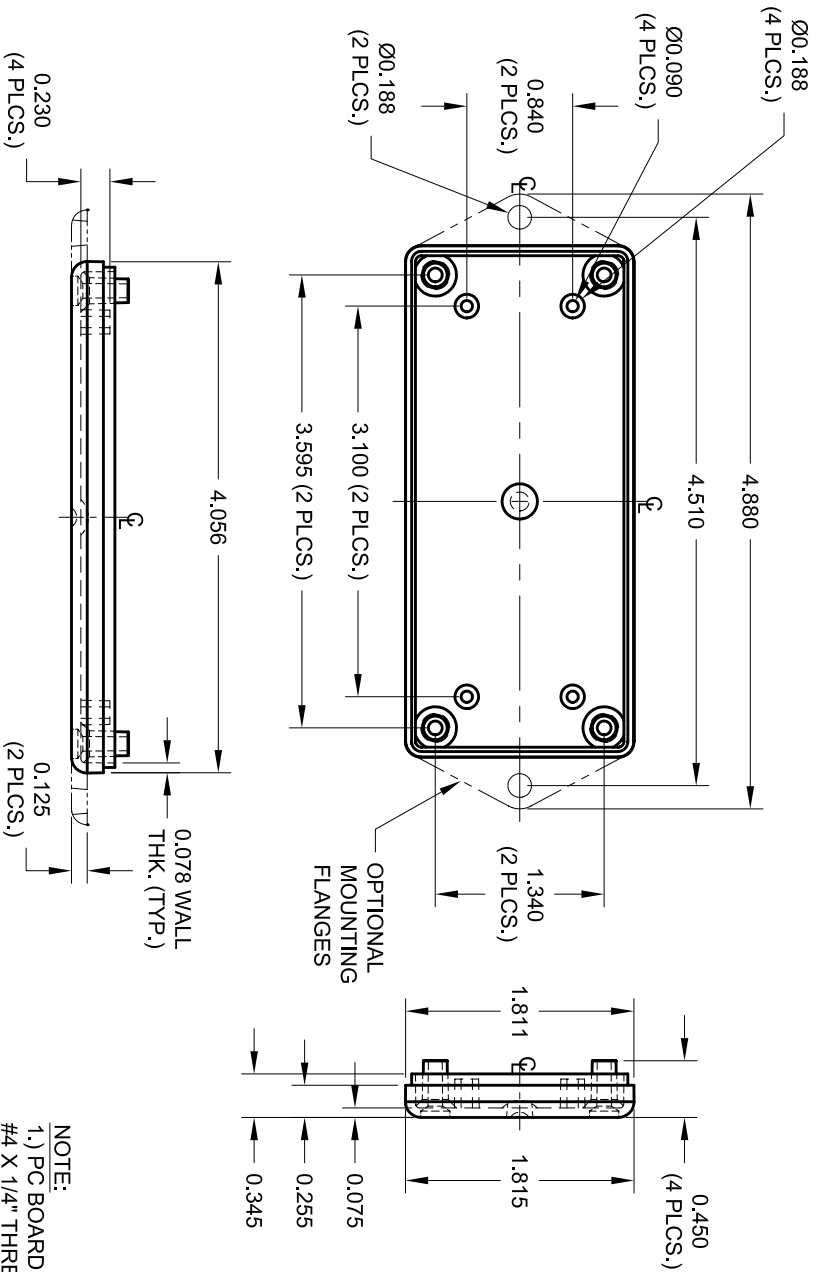
**NOTE:**  
 PC BOARD BOSES WILL ACCEPT A  
 #4X1/4" THREAD FORMING SCREW  
 (SCREWS AVAILABLE FROM POLYCASE)

REV	DESCRIPTION	BY	CHK	DATE

**POLYCASE**  
 YOUR PERFECT FIT

1005 CHESTER RD. PARKWAY ACON, OHIO 44011 USA  
 TEL: 440.248.1200 FAX: 440.248.1208  
 WWW.POLYCASE.COM  
 THIS DRAWING AND THE INFORMATION CONTAINED HEREIN  
 IS THE PROPERTY OF POLYCASE AND IT IS NOT TO BE  
 REPRODUCED OR TRANSMITTED IN ANY FORM OR BY  
 ANY MEANS, ELECTRONIC OR MECHANICAL, WITHOUT  
 PERMISSION IN WRITING FROM POLYCASE.

DRAWN BY: K.R.	APP. BY: B.B.	SCALE: FULL	DATE: 11/18/02
JOB NO.: -	CUSTOMER: -	PRODUCT: ID-1741	
TITLE: PRODUCT DETAIL DRAWING			

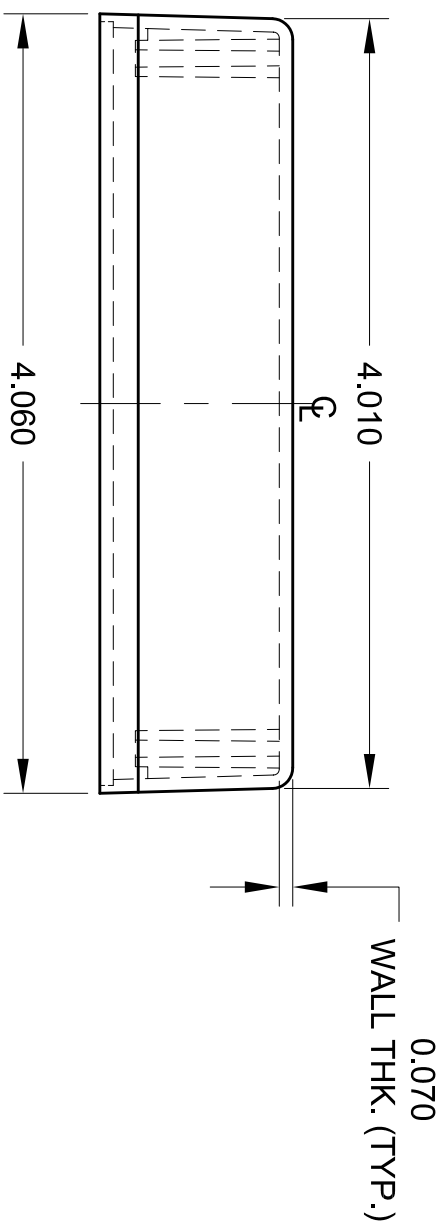
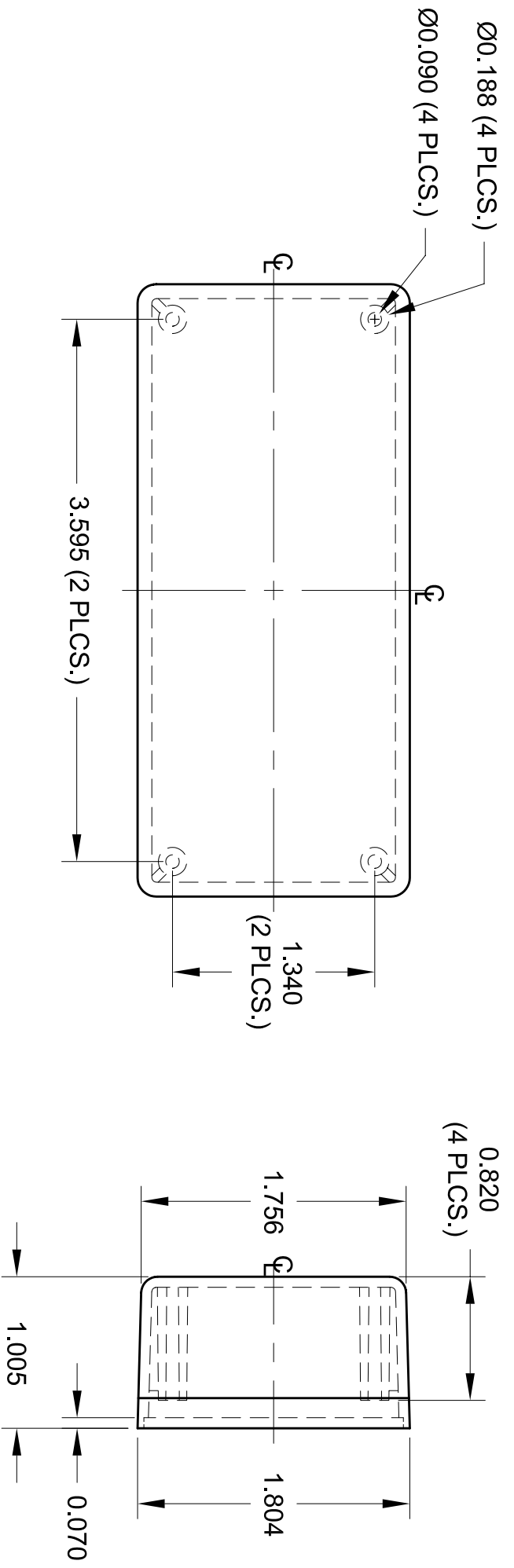


**NOTE:**  
 1.) PC BOARD BOSSES WILL ACCEPT A #4 X 1/4" THREAD FORMING SCREW (SCREWS AVAILABLE FROM POLYCASE)

REV	DESCRIPTION	BY	CHK	DATE

<b>POLYCASE</b> YOUR PERFECT FIT <small>1085 CHESTER RD. PARSONS AVE. OHIO 44111 USA          TEL: 216-282-1233 FAX: 440-944-0089          P.O. BOX 440000 CLEVELAND, OHIO 44144</small>	DRAWN BY M.M.T.	APP. BY B.B.	SCALE FULL	DATE 07/17/00
	JOB NO.: -	CUSTOMER:	PRODUCT: ID-1706B	TITLE: PRODUCT DETAIL DRAWING



Page 1 of 1

		1305 CHESTER RD, PARKWAY AVON, OHIO 44011 U.S.A. PH# 1-800-248-1233, 440-934-4444 FAX# 440-934-0088			
TOLERANCES UNLESS OTHERWISE SPECIFIED X.XX ±.020 X.XXX ±.010		DRWN BY M.M.T.	APP. BY B.B.	SCALE FULL	DATE: 06/29/00
THIS DRAWING AND THE INFORMATION CONTAINED ARE THE PROPERTY OF POLYCASE AND IT IS NOT TO BE REPRODUCED, COPIED OR USED IN ANY WAY DETRIMENTAL TO THE INTEREST OF POLYCASE.		JOB NO.: -	PRODUCT: TS-1741BP		
CUSTOMER: -		TITLE: PRODUCT DETAIL DRAWING			
REV	DESCRIPTION	BY	CHK	DATE	