

Page 1 of 1



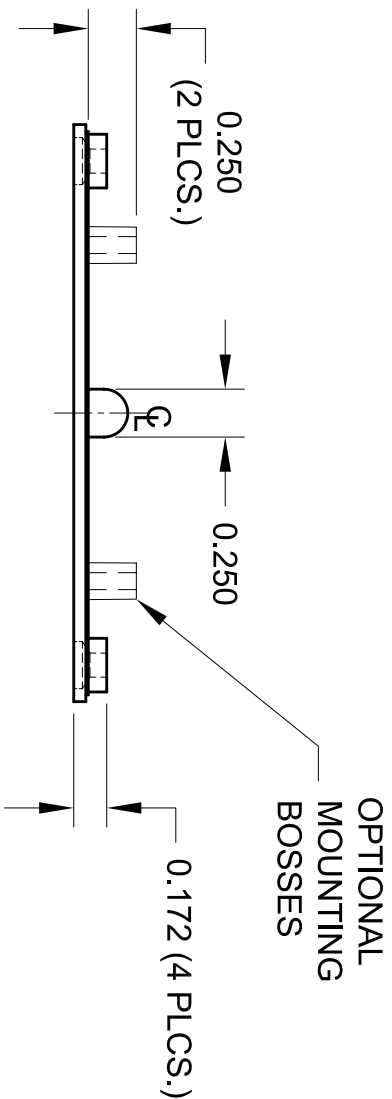
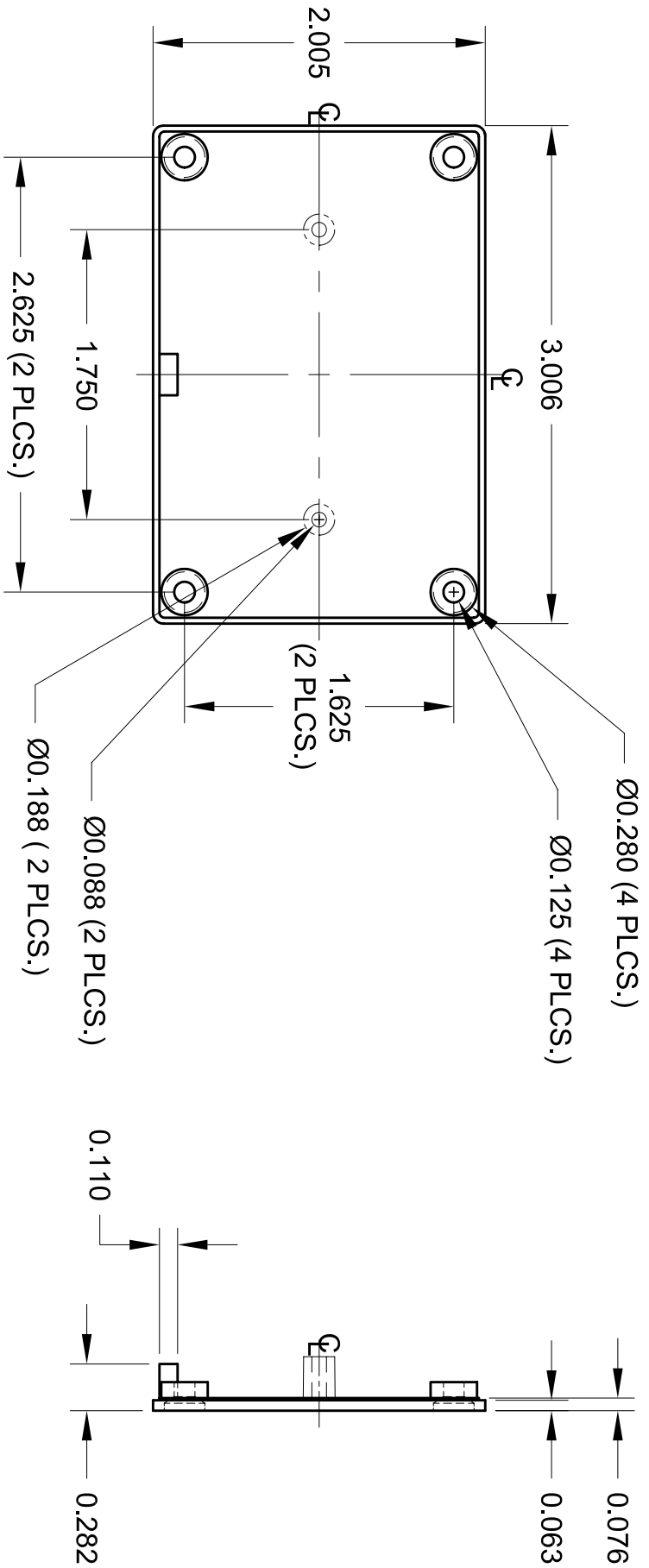
REV	DESCRIPTION	BY	CHK	DATE

TOLERANCES UNLESS OTHERWISE SPECIFIED
 X.XX ±.020
 X.XXX ±.010

1305 CHESTER RD. PARKWAY AVON, OHIO 44011 U.S.A.
 PH# 1-800-248-1233, 440-934-4444 FAX# 440-934-0088

THIS DRAWING AND THE INFORMATION CONTAINED ARE THE PROPERTY OF POLYCASE AND IT IS NOT TO BE REPRODUCED, COPIED OR USED IN ANY WAY DETRIMENTAL TO THE INTEREST OF POLYCASE.

DRWN BY	APP. BY	SCALE	DATE:
M.M.T.	B.B.	FULL	06/29/00
JOB NO:	PRODUCT:	-	
-	TS-2309B	-	
CUSTOMER:			
TITLE: PRODUCT DETAIL DRAWING			



OPTIONAL
MOUNTING
BOSSSES

NOTES:
1.) PCB MOUNTING BOSSSES WILL ACCEPT A #4 X 1/4" THREAD FORMING SCREW (SCREWS AVAILABLE FROM POLYCASE)

Page 1 of 1

REV	DESCRIPTION	BY	CHK	DATE	TOLERANCES UNLESS OTHERWISE SPECIFIED X.XX ±.020 X.XXX ±.010	1305 CHESTER IND. PARKWAY AVON, OHIO 44011 U.S.A. PH# 1-800-248-1233, 440-934-4444 FAX# 440-934-0088	THIS DRAWING AND THE INFORMATION CONTAINED ARE THE PROPERTY OF POLYCASE AND IT IS NOT TO BE REPRODUCED, COPIED OR USED IN ANY WAY DETRIMENTAL TO THE INTEREST OF POLYCASE.	DRWN BY M.M.T.	APP. BY B.B.	SCALE FULL	DATE: 06/30/00
								JOB NO: -	PRODUCT: -		
								CUSTOMER: -		TS-2300C	
								TITLE: PRODUCT DETAIL DRAWING			

POLYCASE
YOUR PERFECT FIT