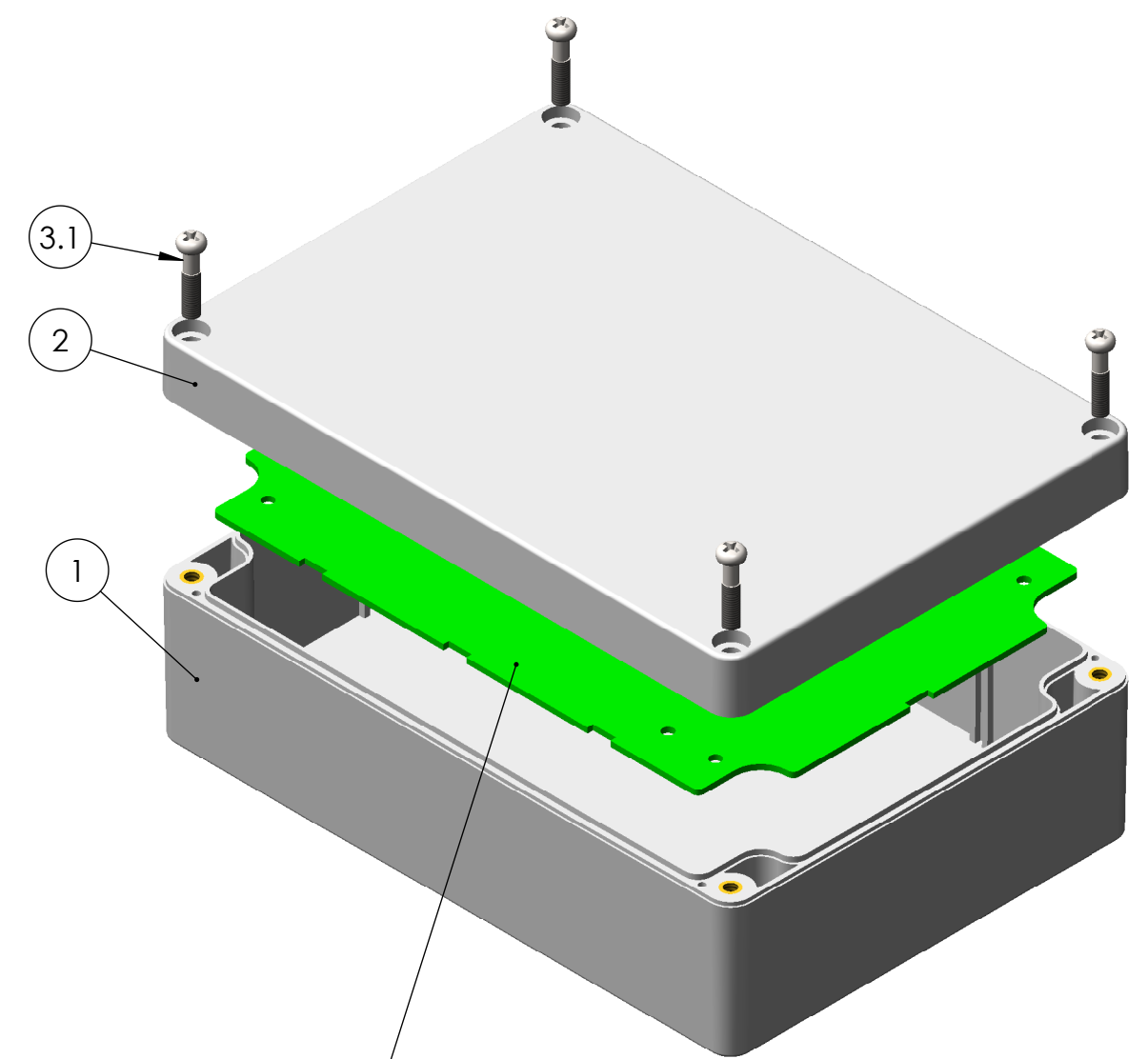
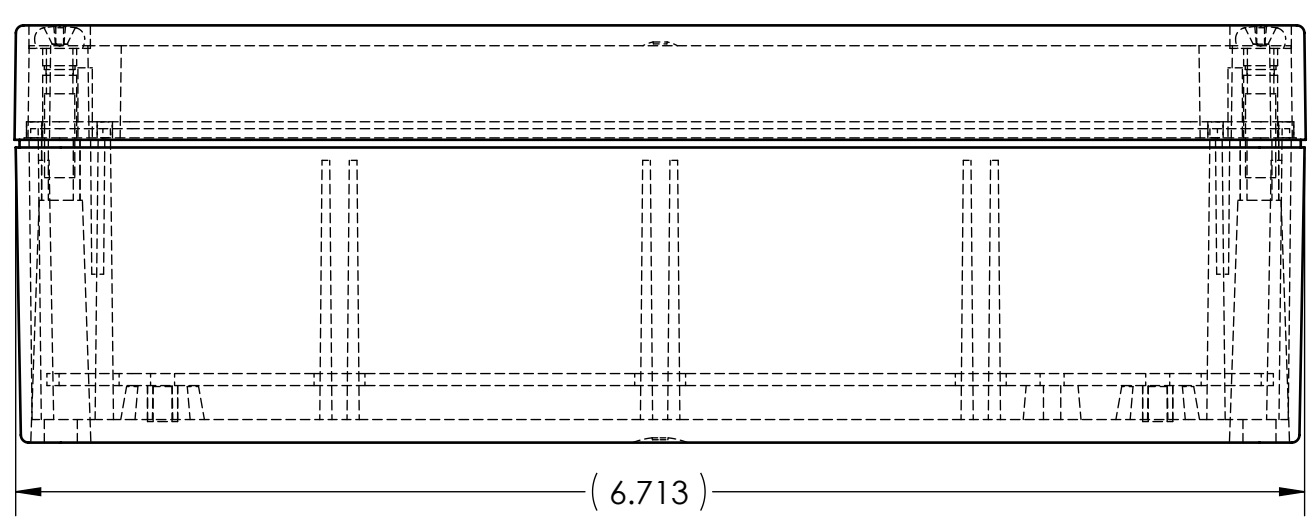
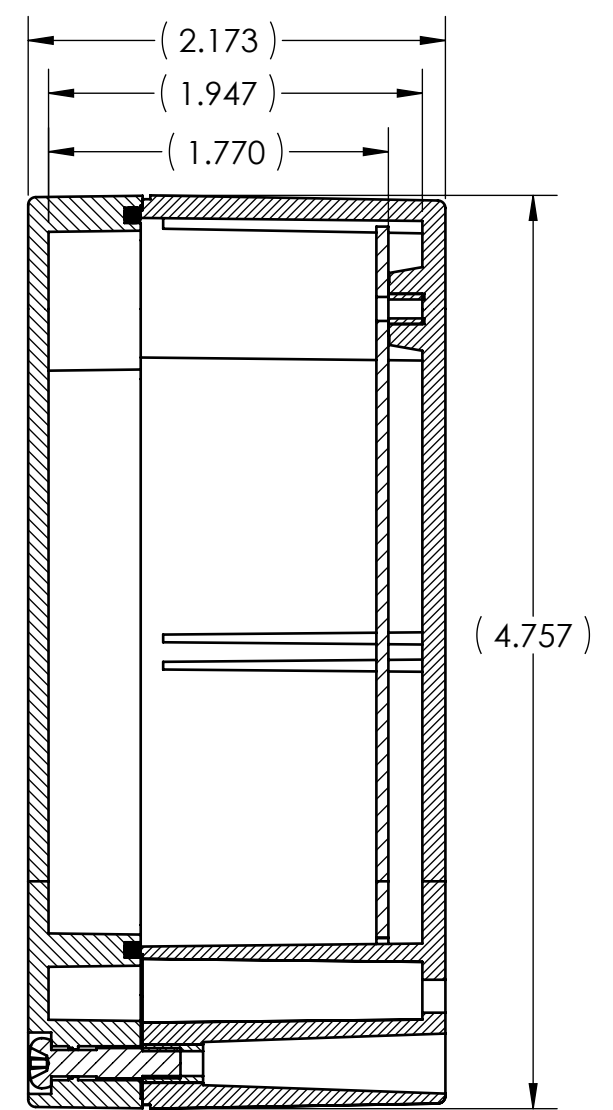
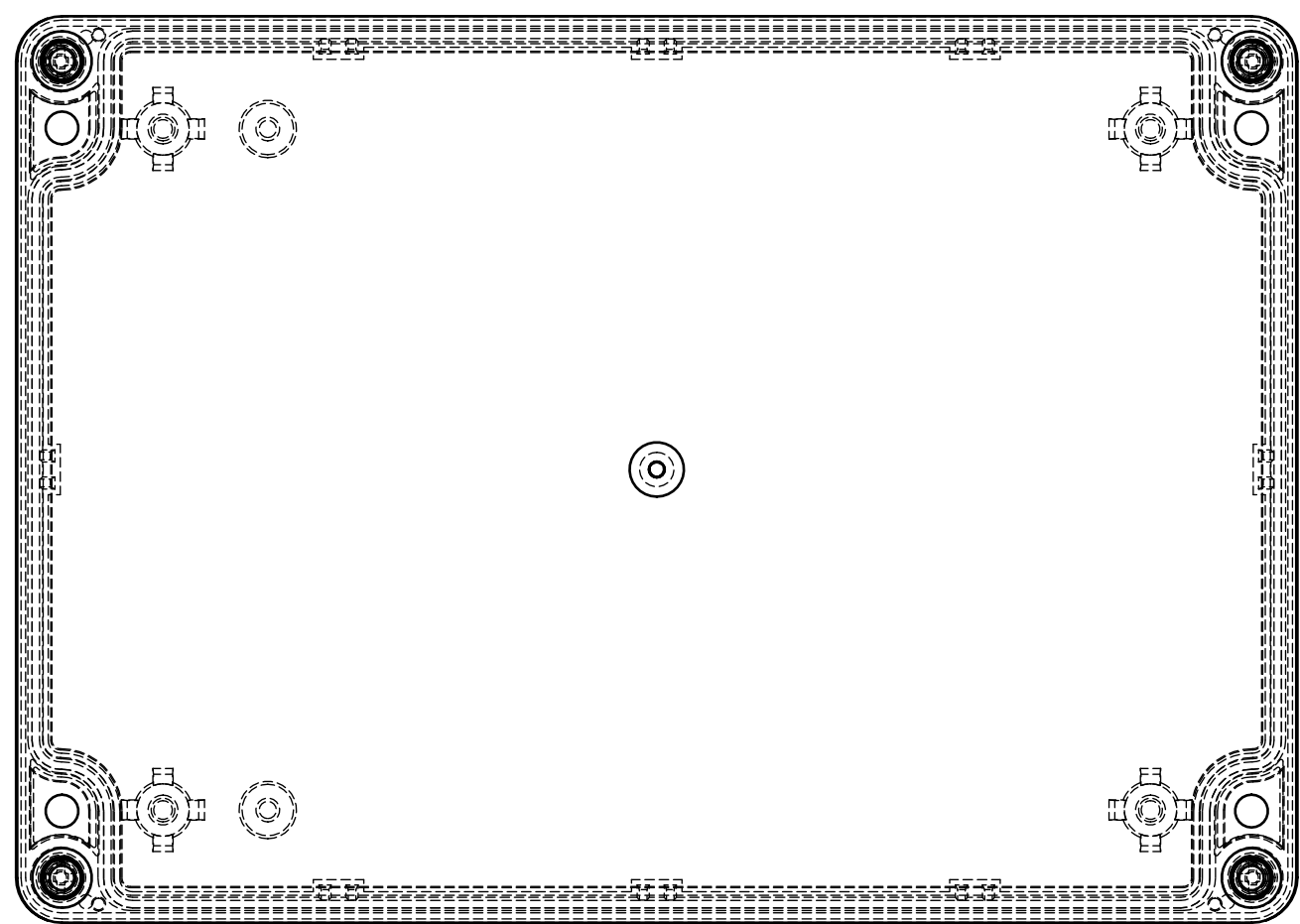
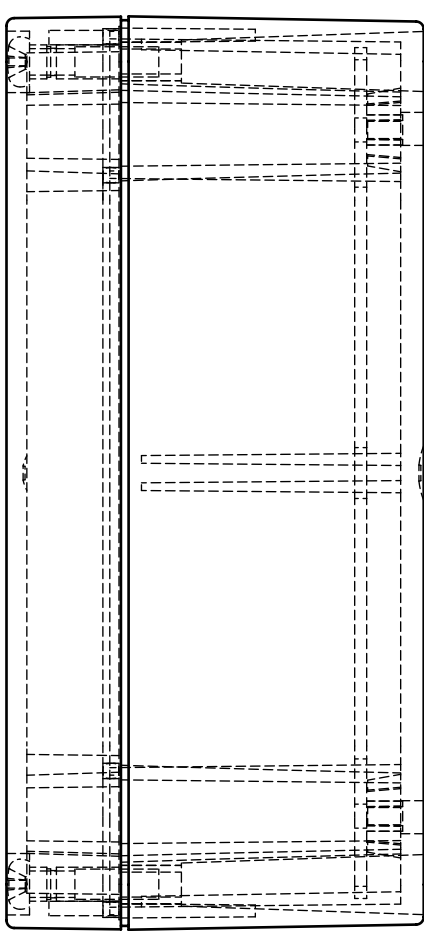
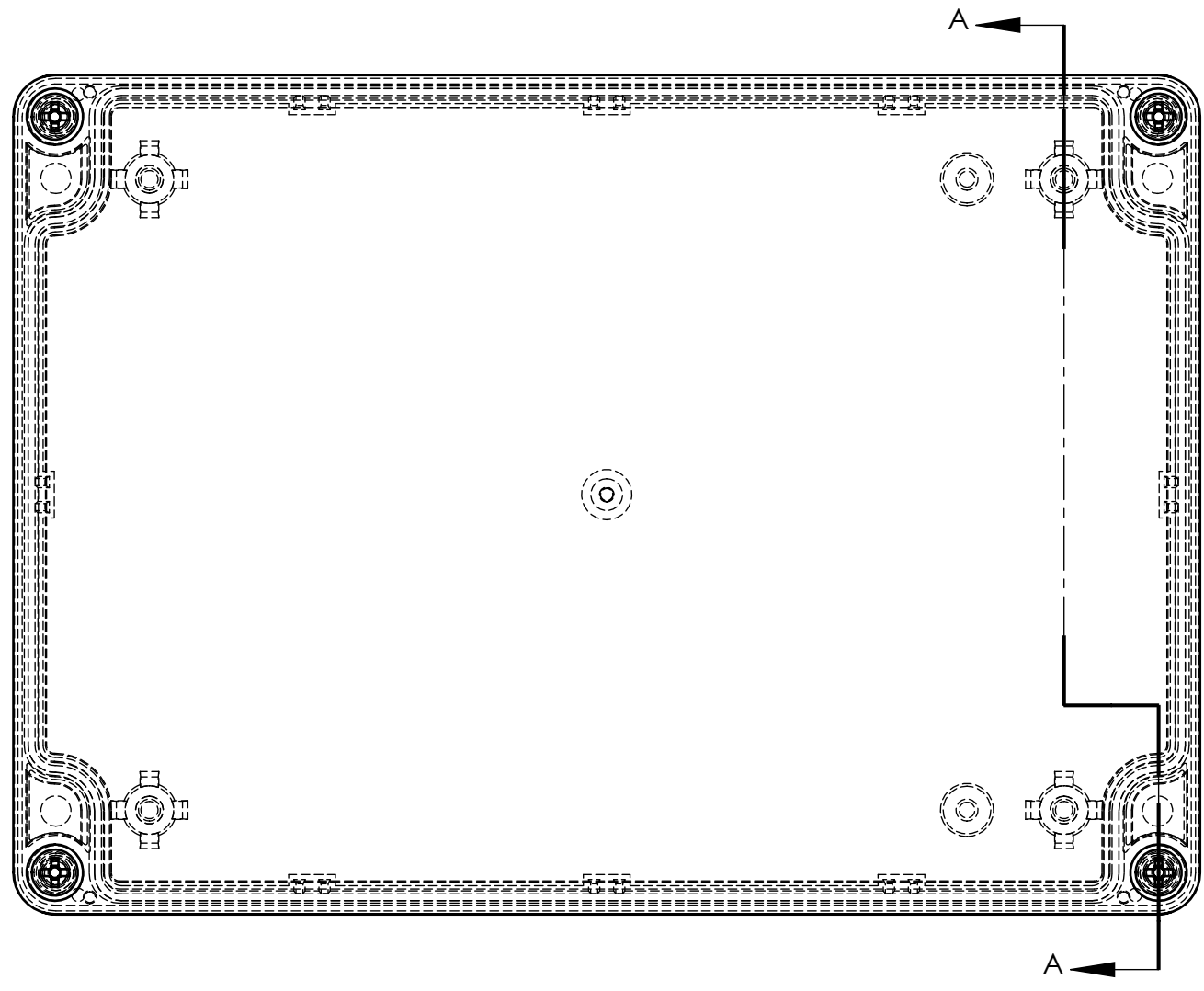


ITEM NO.	PART NUMBER	DESCRIPTION	Material	Color	FlameRating	QTY.
1	WP-24B*15	WP BASE, W/MOUNTING BOSSES	POLYCARBONATE	LIGHT GRAY	UL94-HB (UL FILE E41613)	1
2	WP-24C*15	WP COVER ONLY, W/GASKET	POLYCARBONATE	LIGHT GRAY	UL94-HB (UL FILE E41613)	1
3	SCREWS-SSM4-20-4	ASSEMBLY SCREWS, 4 PACK				1
3.1	SCREWS-SSM4-20	M4X0.7 X 20mm OAL, PHILLIPS DRIVE MACHINE SCREW	STAINLESS STEEL			4

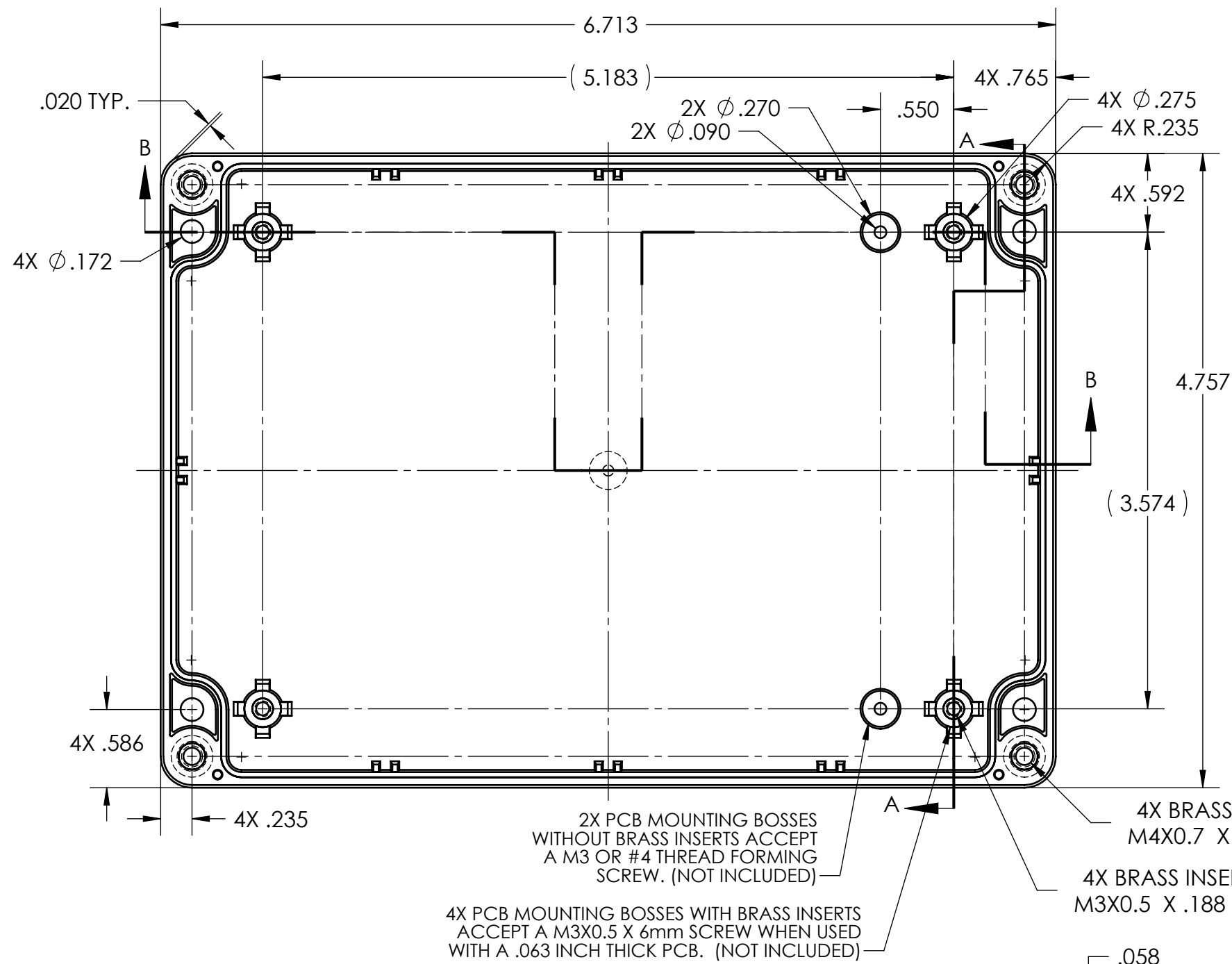


WP-24B*15-PCB (REF. ONLY);
PCB TEMPLATE FOR WP-24B*15

- NOTES:
1. SERVICE TEMPERATURE RANGE: -40°C TO 120°C
2. DESIGNED TO NEMA 1, 2, 4, 4X, 12, 13
3. MOUNTING FLANGE KITS ARE AVAILABLE FROM POLYCASE.
4. UL LISTED TO UL508-4X SPECIFICATIONS (UL FILE #E194432).

UNLESS OTHERWISE SPECIFIED: DIMENSIONS ARE IN: INCHES[mm] TOLERANCES: ANGULAR: ±2° TWO PLACE DECIMAL: ±.030 THREE PLACE DECIMAL: ±.015 PRINTED GRAPHICS: ±.010		PART NO. WP-24*15		 1305 CHESTER RD. PARKWAY AVON, OHIO 44011-1083 U.S.A. PH: 1-800-548-1233 440-934-0444 FAX: 440-934-0088	
PROPRIETARY AND CONFIDENTIAL THE INFORMATION CONTAINED IN THIS DRAWING IS THE SOLE PROPERTY OF POLYCASE. ANY REPRODUCTION IN PART OR AS A WHOLE WITHOUT THE WRITTEN PERMISSION OF POLYCASE IS PROHIBITED. CAD FILE: WP-24*15		MATERIAL			
FLAME RATING UL94-HB		SIZE C		WP UNIT, W/MOUNTING BOSSES, WITH GASKET, LIGHT GRAY	
DRAWN CHECKED		NAME DATE D.M.F. 8/2/2010 B.M.B. 7/7/2011		SCALE: 1:1	
REVISIONS		REV		SHEET 1 OF 1	

REV.	DESCRIPTION	ZONE	BY	APPR'D	DATE

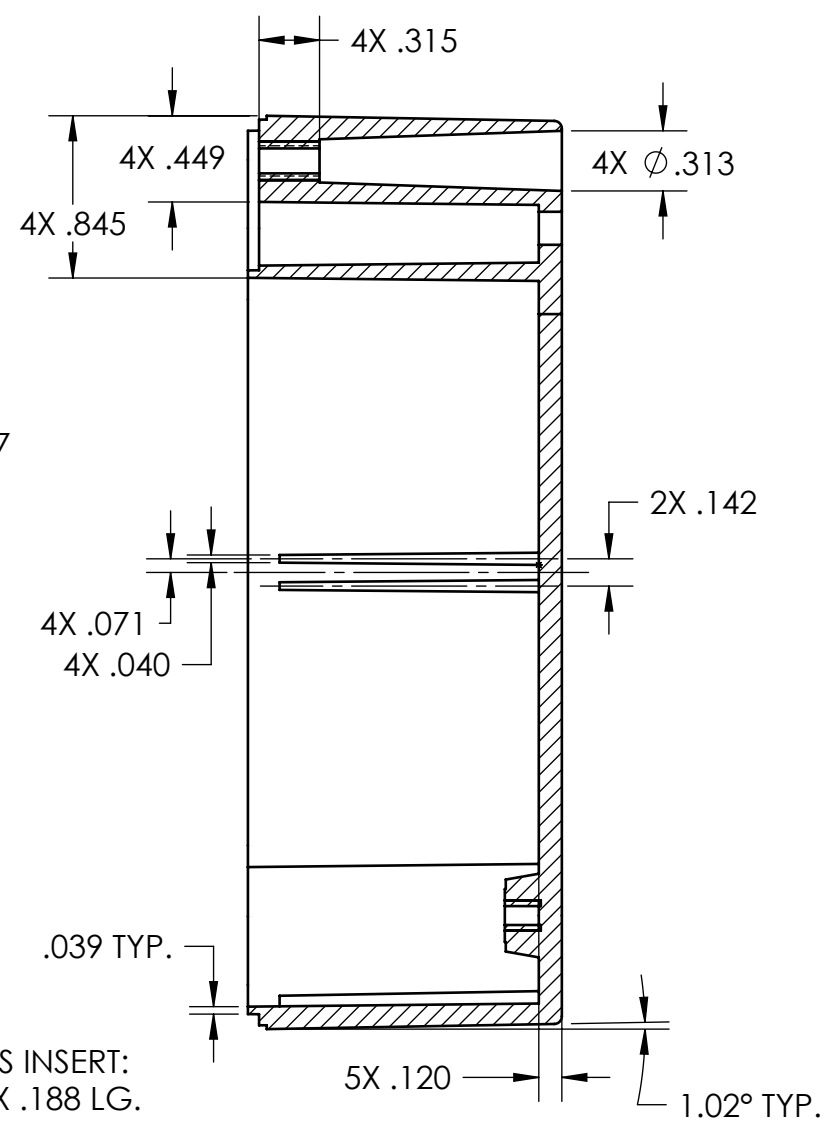


2X PCB MOUNTING BOSSSES WITHOUT BRASS INSERTS ACCEPT A M3 OR #4 THREAD FORMING SCREW. (NOT INCLUDED)

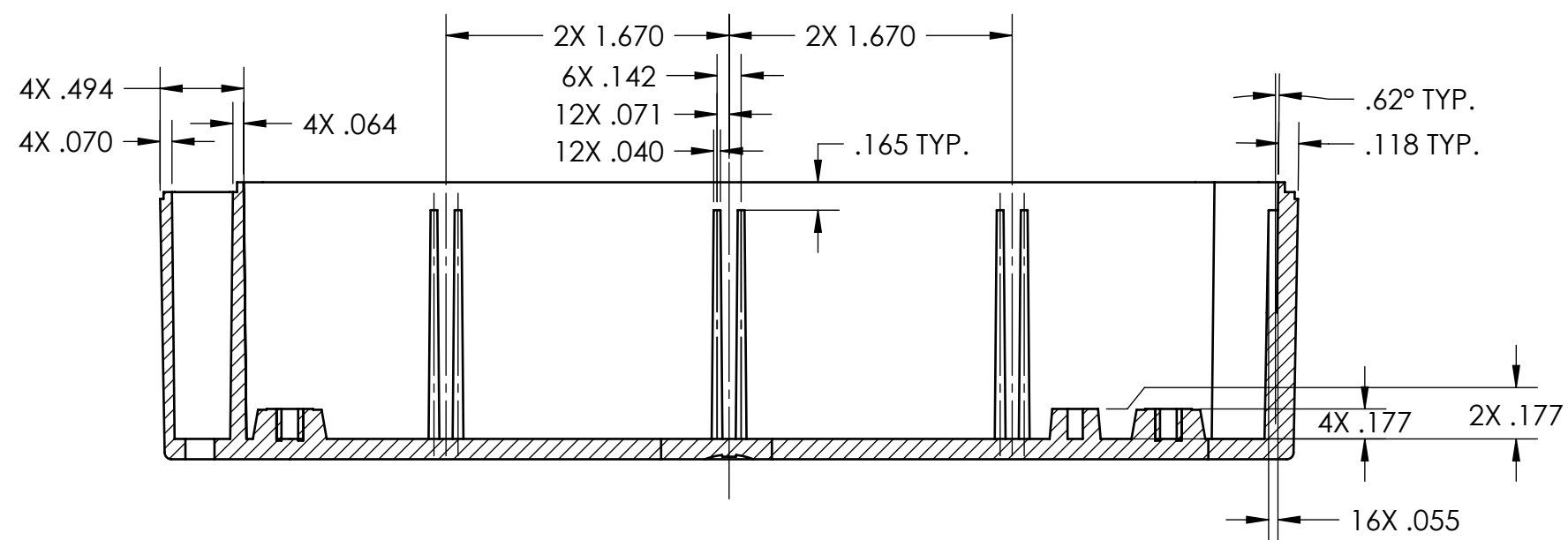
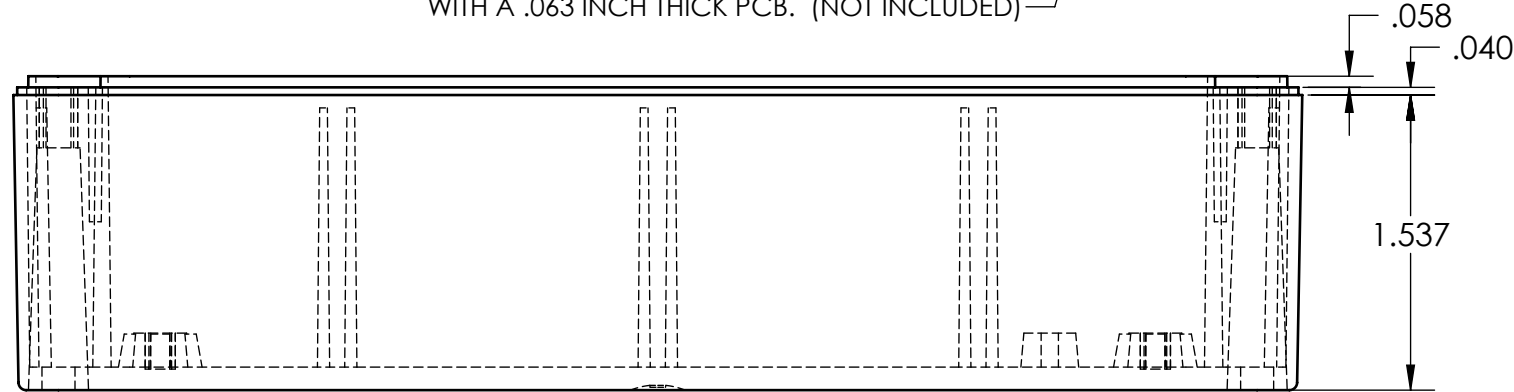
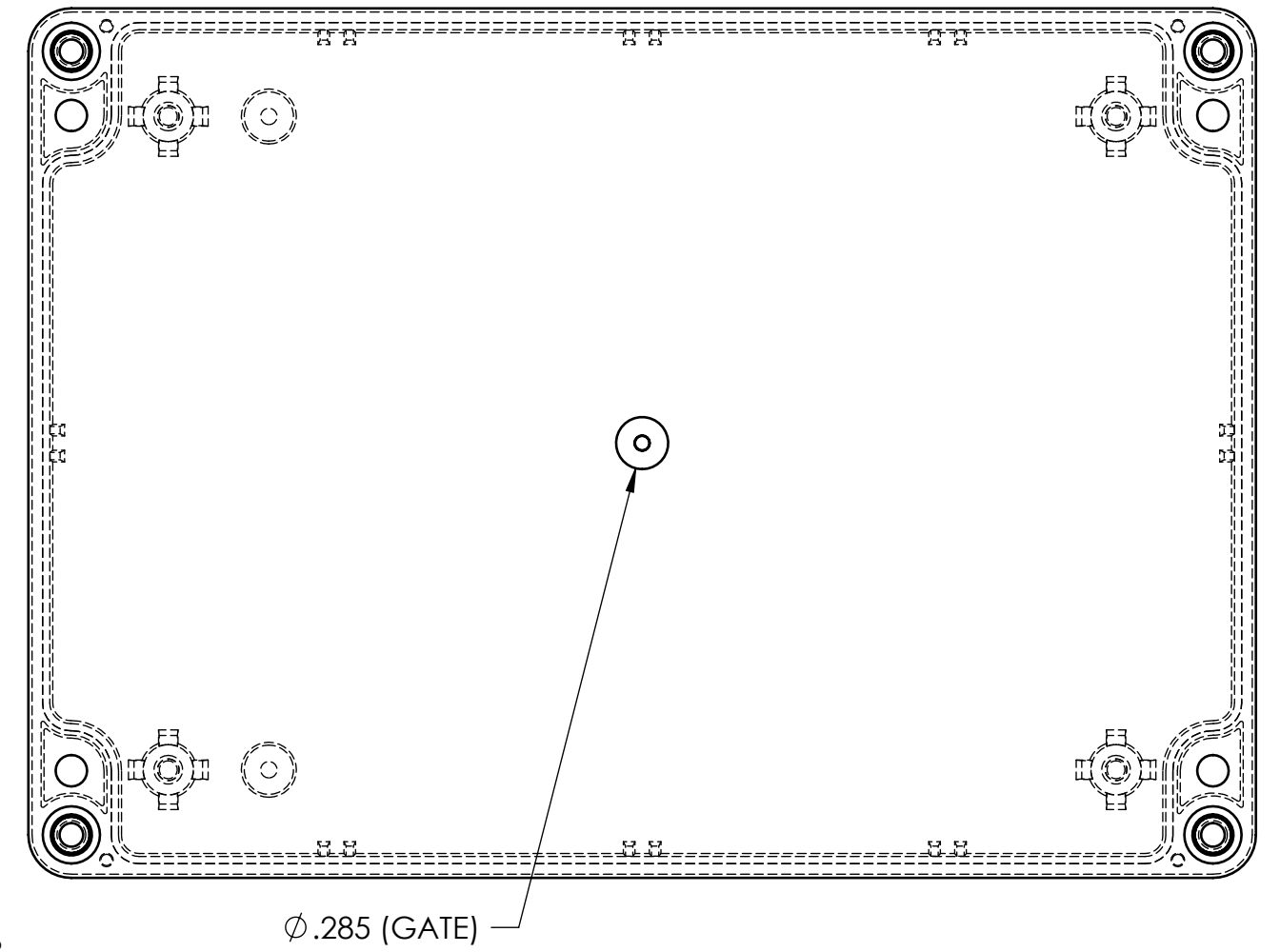
4X PCB MOUNTING BOSSSES WITH BRASS INSERTS ACCEPT A M3X0.5 X 6mm SCREW WHEN USED WITH A .063 INCH THICK PCB. (NOT INCLUDED)

4X BRASS INSERT: M4X0.7 X .188 LG.

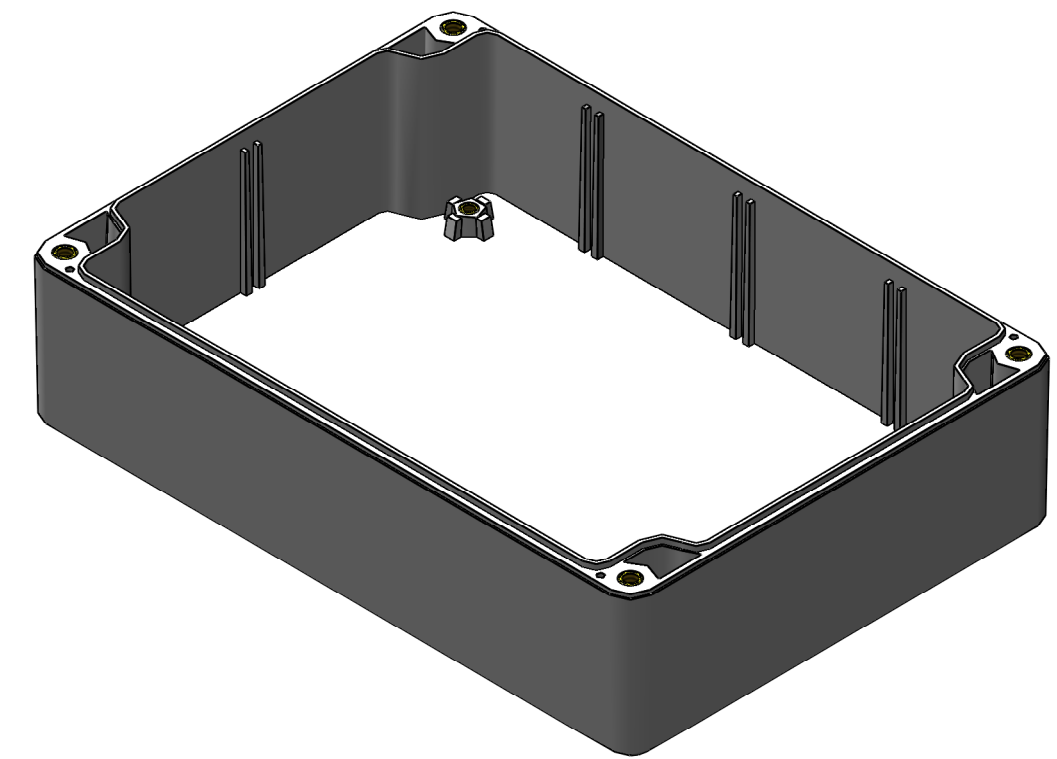
4X BRASS INSERT: M3X0.5 X .188 LG.



SECTION A-A



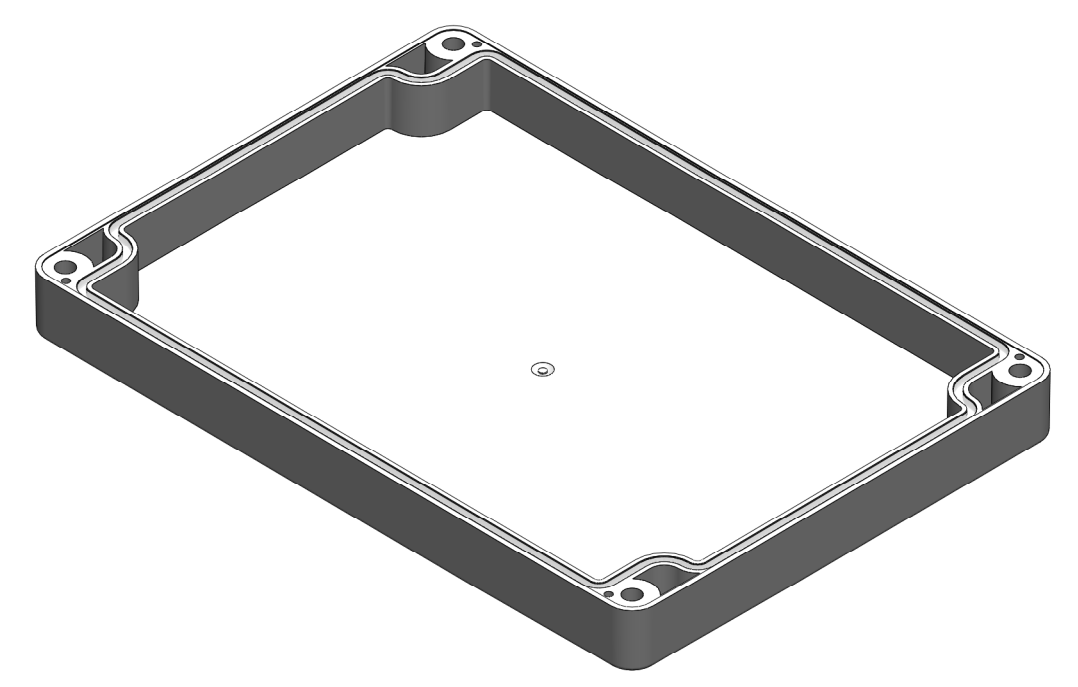
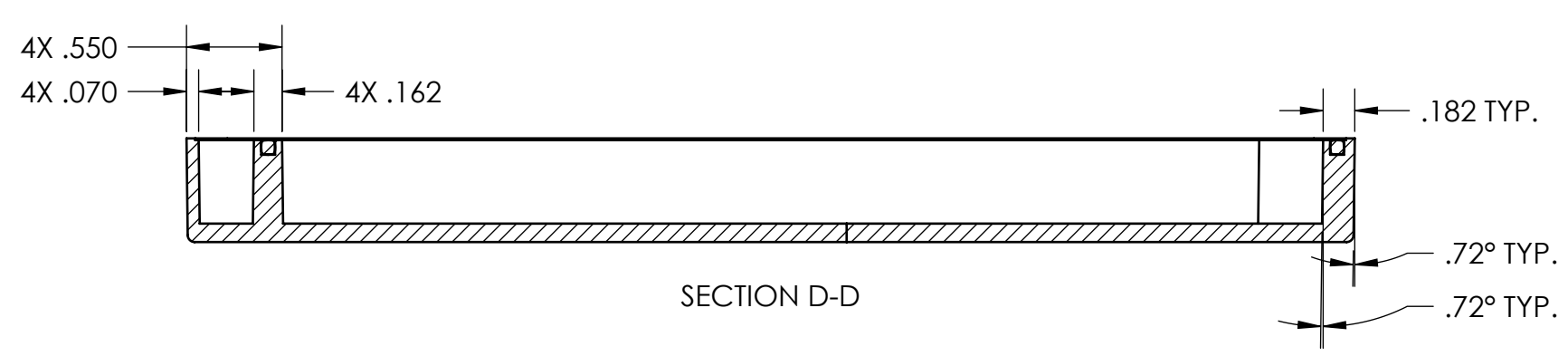
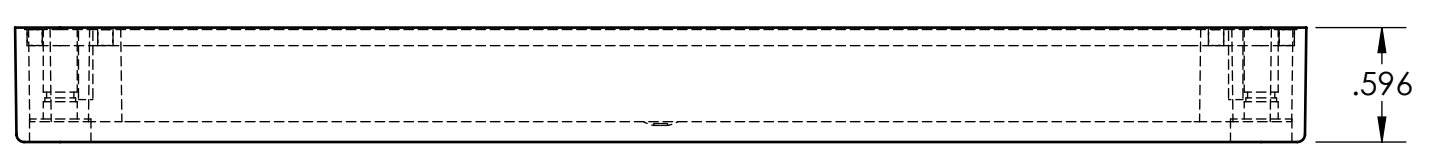
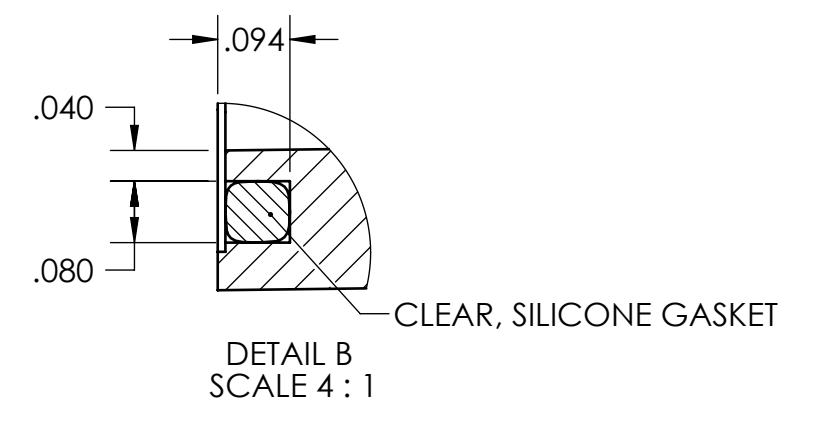
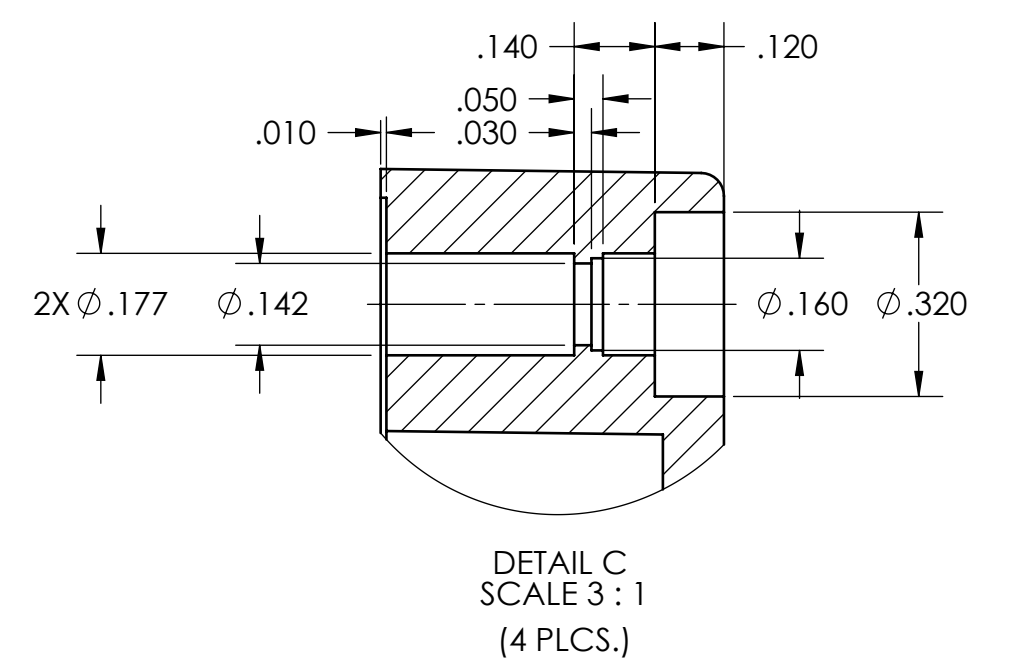
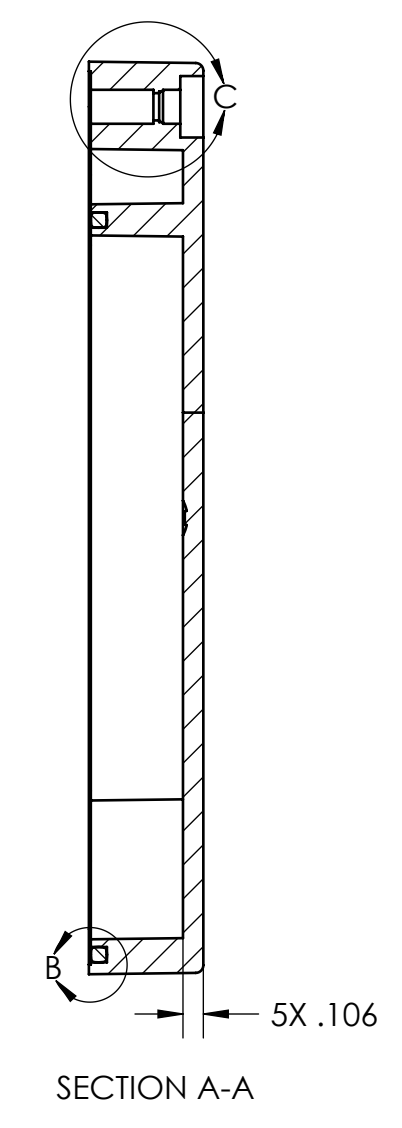
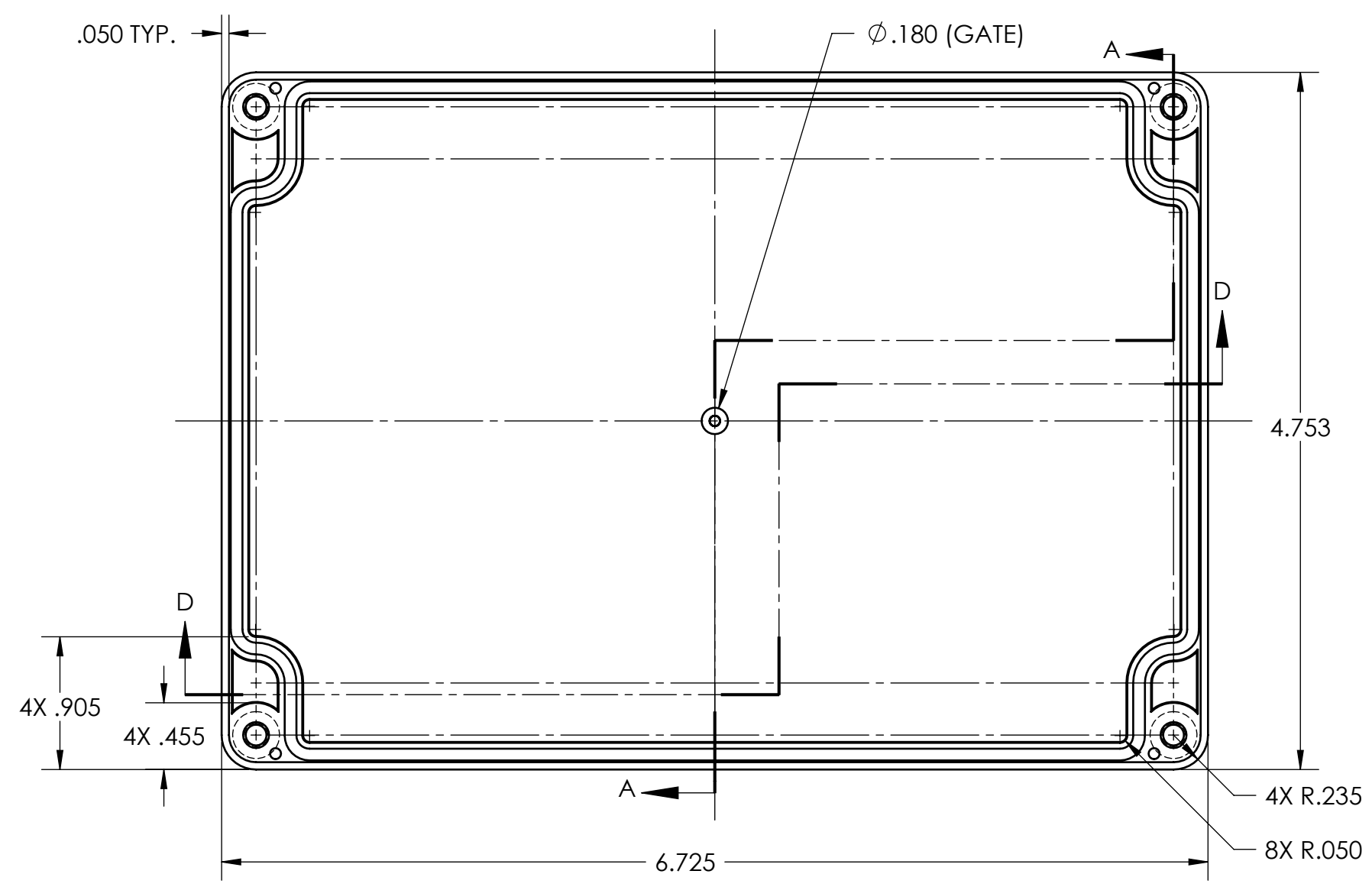
SECTION B-B



NOTES:
1. COLOR: LIGHT GRAY

UNLESS OTHERWISE SPECIFIED: DIMENSIONS ARE IN: INCHES[mm] TOLERANCES: ANGULAR: $\pm 2^\circ$ TWO PLACE DECIMAL: $\pm .030$ THREE PLACE DECIMAL: $\pm .015$ PRINTED GRAPHICS: $\pm .010$	PART NO. WP-24B*15		SIZE C	WP BASE, W/MOUNTING BOSSSES	REV -01
	MATERIAL POLYCARBONATE				
	FLAME RATING UL94-HB (UL FILE E41613)		SCALE: 1:1		
	DRAWN D.M.F. 8/2/2010		CHECKED B.M.B. 9/24/2010	SHEET 1 OF 1	

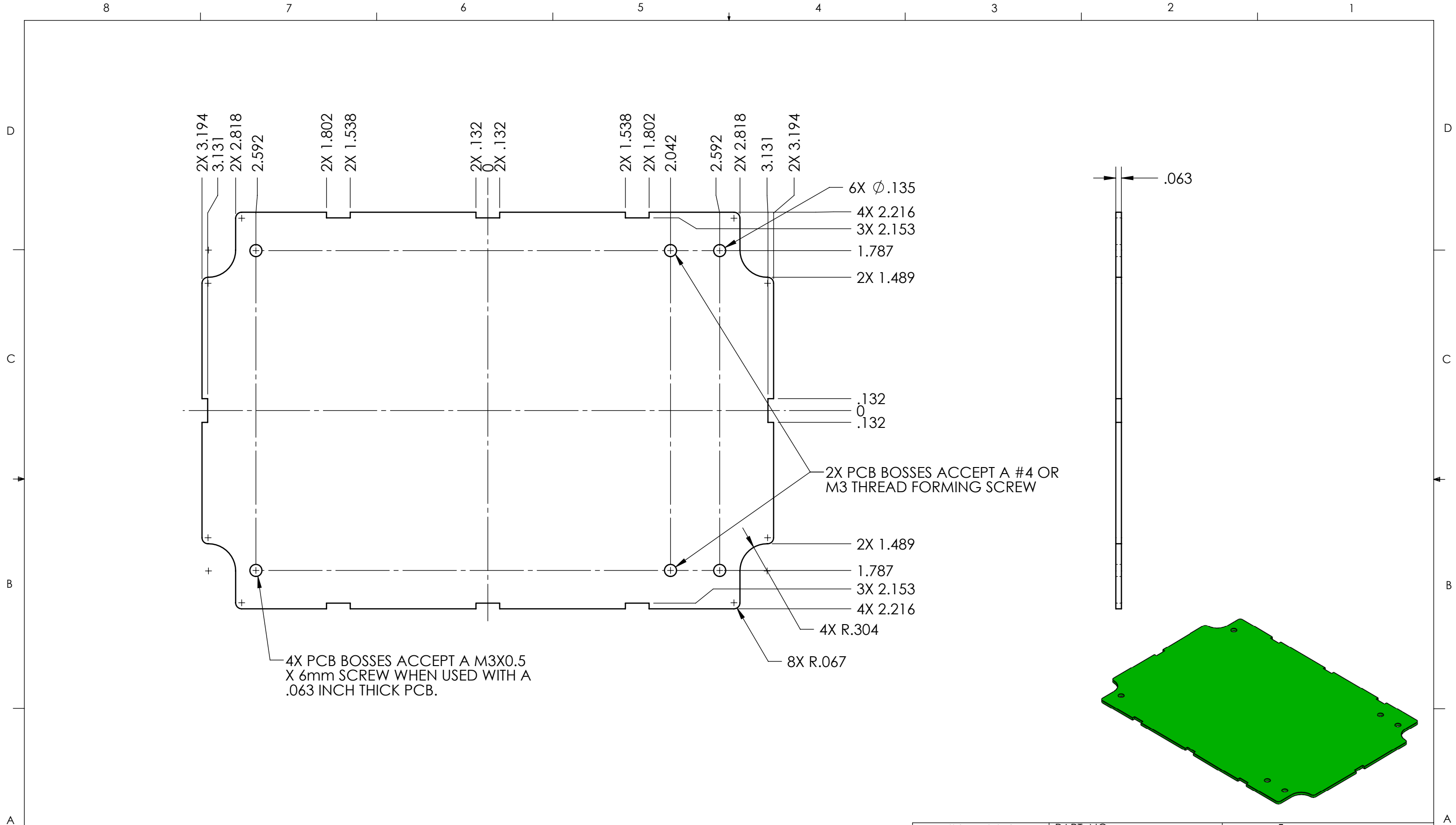





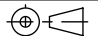
NOTES:
1. COLOR: LIGHT GRAY

UNLESS OTHERWISE SPECIFIED: DIMENSIONS ARE IN: INCHES[mm] TOLERANCES: ANGULAR: $\pm 2^\circ$ TWO PLACE DECIMAL: $\pm .030$ THREE PLACE DECIMAL: $\pm .015$ PRINTED GRAPHICS: $\pm .010$		PART NO. WP-24C*15		 1305 CHESTER RD. PARKWAY AVON, OHIO 44011-1083 U.S.A. PH: 1-800-248-1233 440-934-0444 FAX: 440-934-0088						
PROPRIETARY AND CONFIDENTIAL THE INFORMATION CONTAINED IN THIS DRAWING IS THE SOLE PROPERTY OF POLYCASE. ANY REPRODUCTION IN PART OR AS A WHOLE WITHOUT THE WRITTEN PERMISSION OF POLYCASE IS PROHIBITED. CAD FILE: WP-24C*15		MATERIAL POLYCARBONATE				FLAME RATING UL94-HB (UL FILE E41613)	SIZE C			
REV.	DESCRIPTION	ZONE	BY	APPR'D	DATE	DRAWN D.M.F. 7/30/2010 CHECKED B.M.B. 9/24/2010	SCALE: 1:1	WP COVER ONLY, W/GASKET	REV	SHEET 1 OF 1

REV.	DESCRIPTION	ZONE	BY	APPR'D	DATE
REVISIONS					



NOTES:
 1. INCLUDES .031 CLEARANCE FROM INTERIOR OF WP-24B*15.

UNLESS OTHERWISE SPECIFIED: DIMENSIONS ARE IN: INCHES[mm] TOLERANCES: ANGULAR: ±2° TWO PLACE DECIMAL: ±.010 THREE PLACE DECIMAL: ±.005 PRINTED GRAPHICS: ±.010	PART NO. WP-24B*15-PCB		 <small>1305 CHESTER IND. PARKWAY AVON, OHIO 44011-1083 U.S.A. PH#: 1-800-248-1233, 440-934-0444 FAX#: 440-934-0088</small>						
	MATERIAL								
	FLAME RATING	SIZE B	PCB TEMPLATE						
	<table border="1"> <tr> <td>DRAWN</td> <td>D.M.F.</td> <td>8/2/2010</td> </tr> <tr> <td>CHECKED</td> <td>B.M.B.</td> <td>7/7/2011</td> </tr> </table>	DRAWN	D.M.F.	8/2/2010	CHECKED	B.M.B.	7/7/2011	SCALE: 1:1	
DRAWN	D.M.F.	8/2/2010							
CHECKED	B.M.B.	7/7/2011							