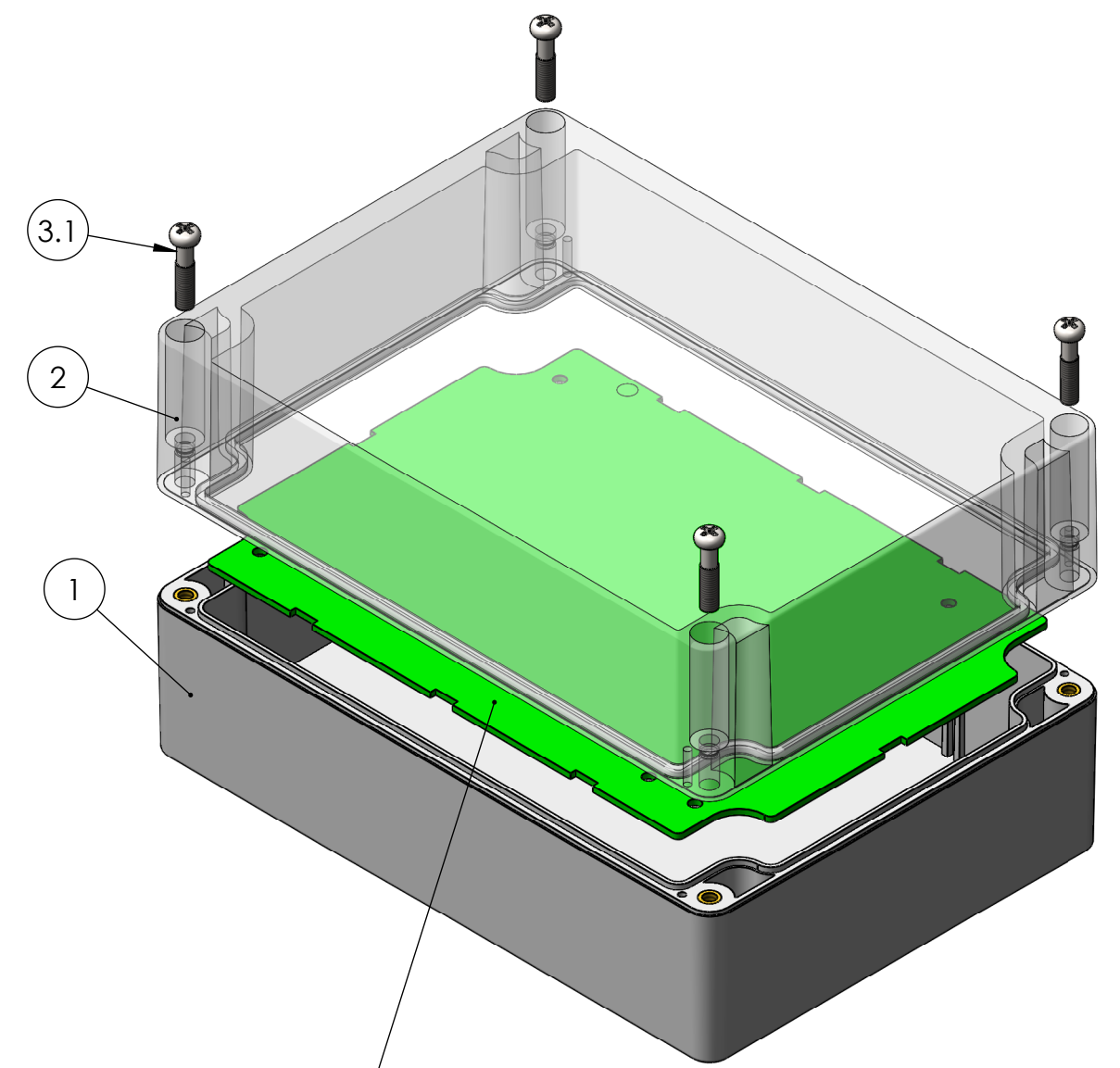
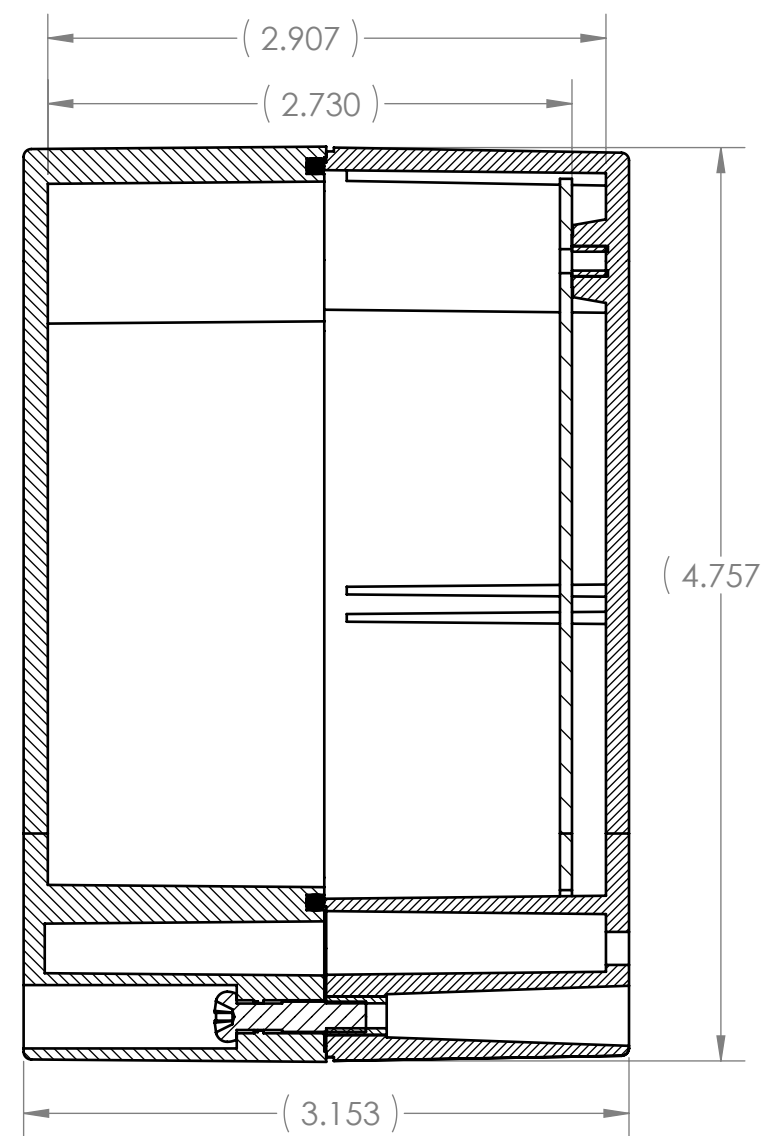
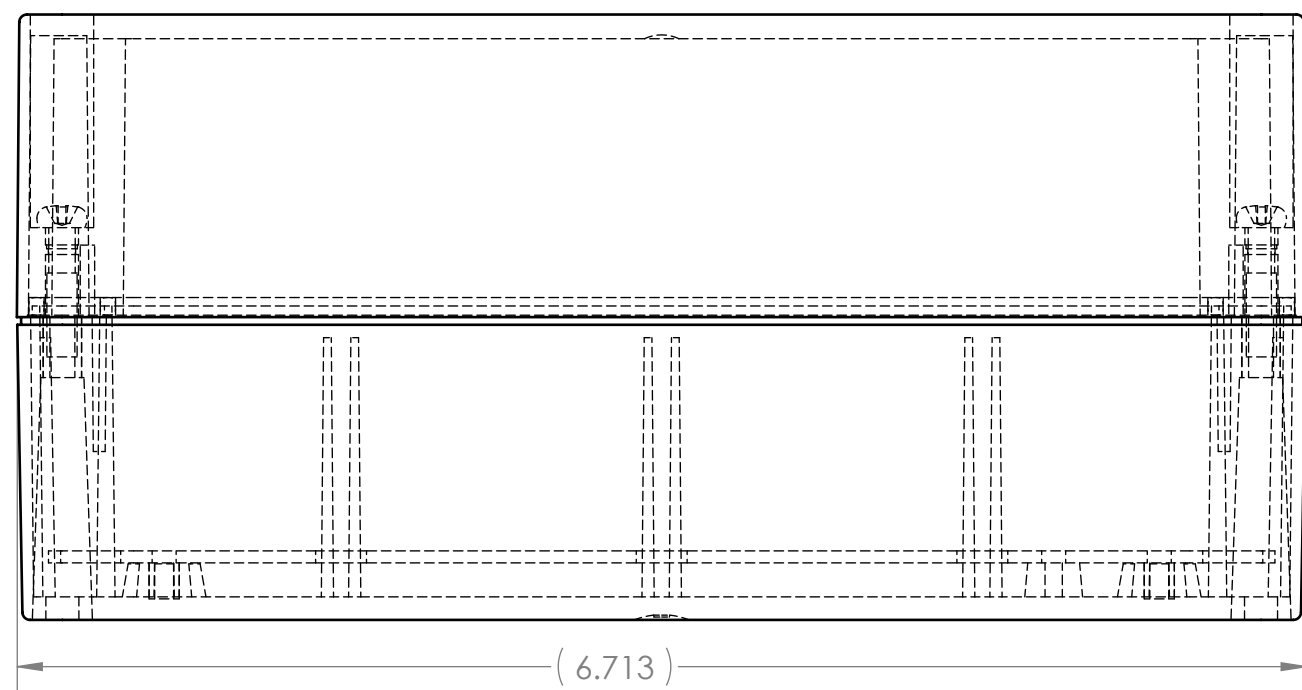
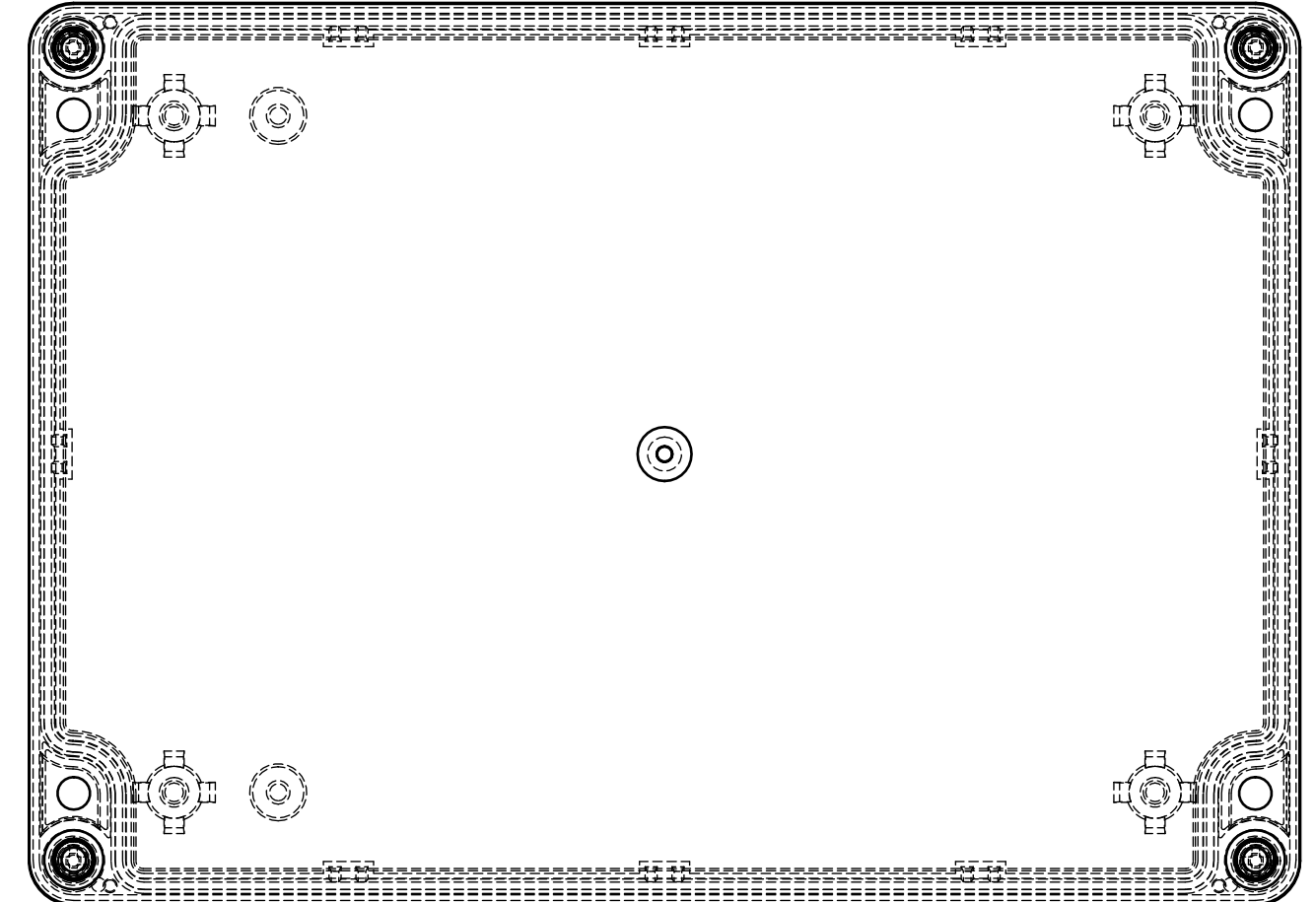
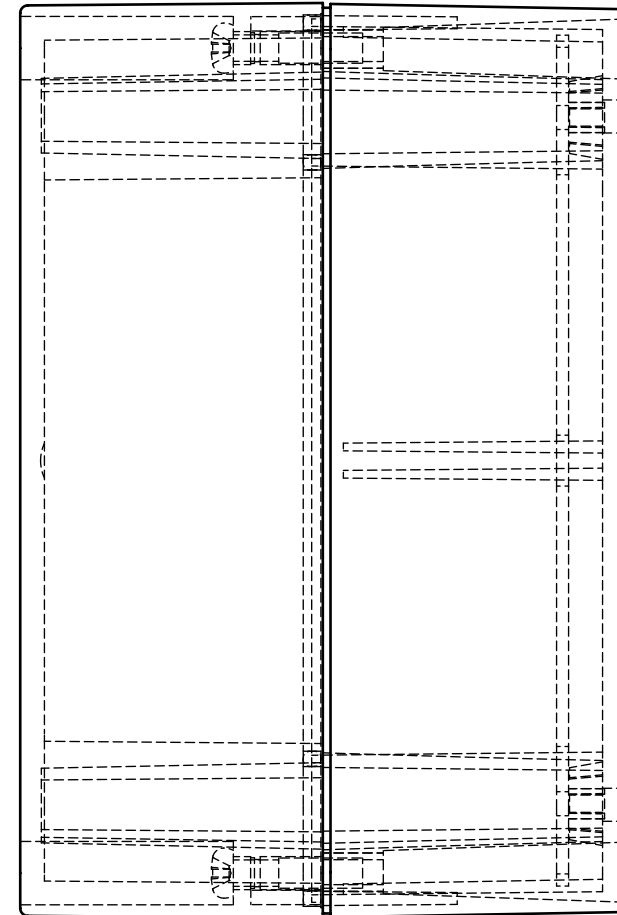
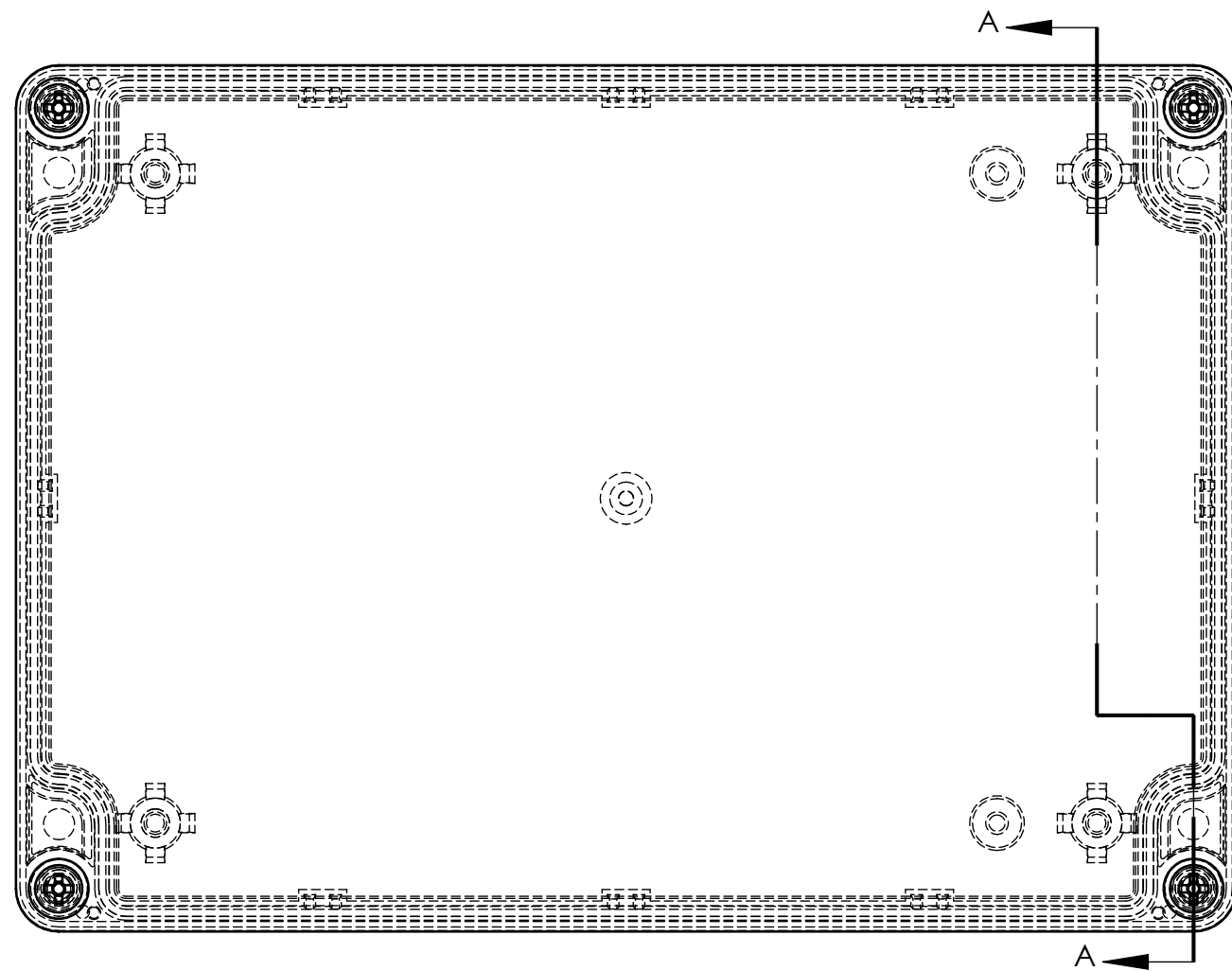


ITEM NO.	PART NUMBER	DESCRIPTION	Material	Color	Flame Rating	QTY.
1	WP-24B*15	WP BASE, W/MOUNTING BOSSES	POLYCARBONATE	LIGHT GRAY	UL94-HB (UL FILE E41613)	1
2	WC-27C*08	WC COVER, W/GASKET	POLYCARBONATE	CLEAR	UL94-HB (UL FILE E41613)	1
3	SCREWS-SSM4-20-4	ASSEMBLY SCREWS, 4 PACK				1
3.1	SCREWS-SSM4-20	M4X0.7 X 20mm OAL, PHILLIPS DRIVE MACHINE SCREW	STAINLESS STEEL			4

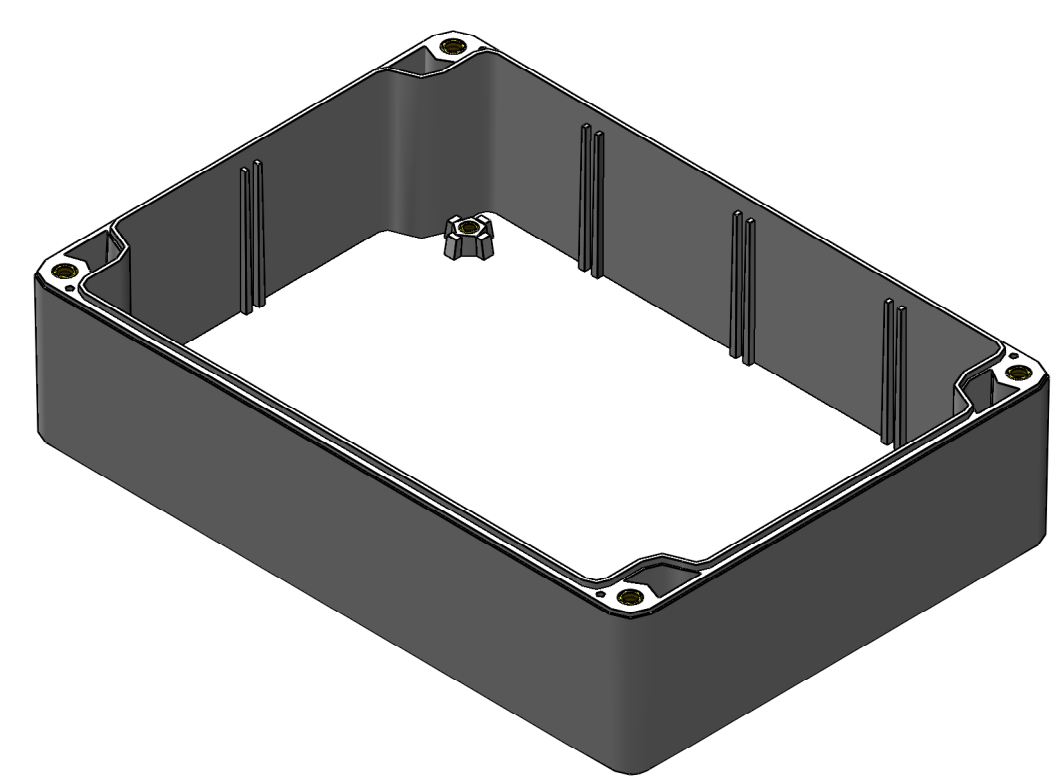
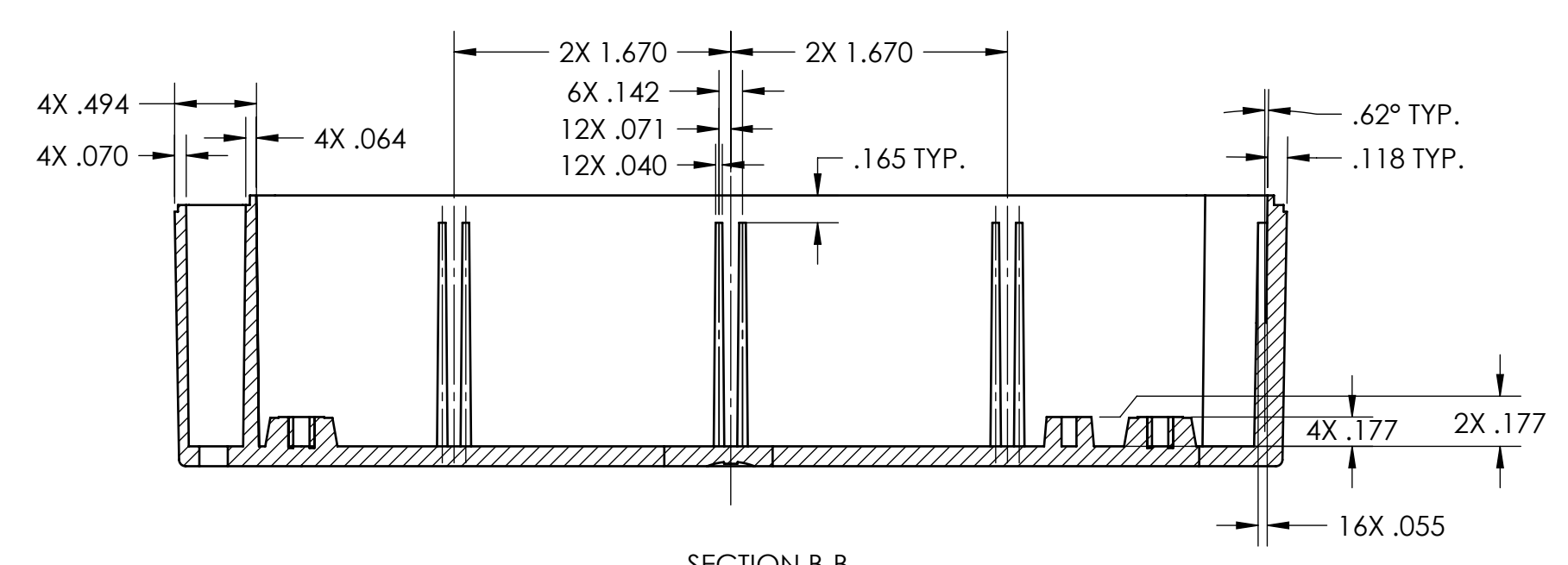
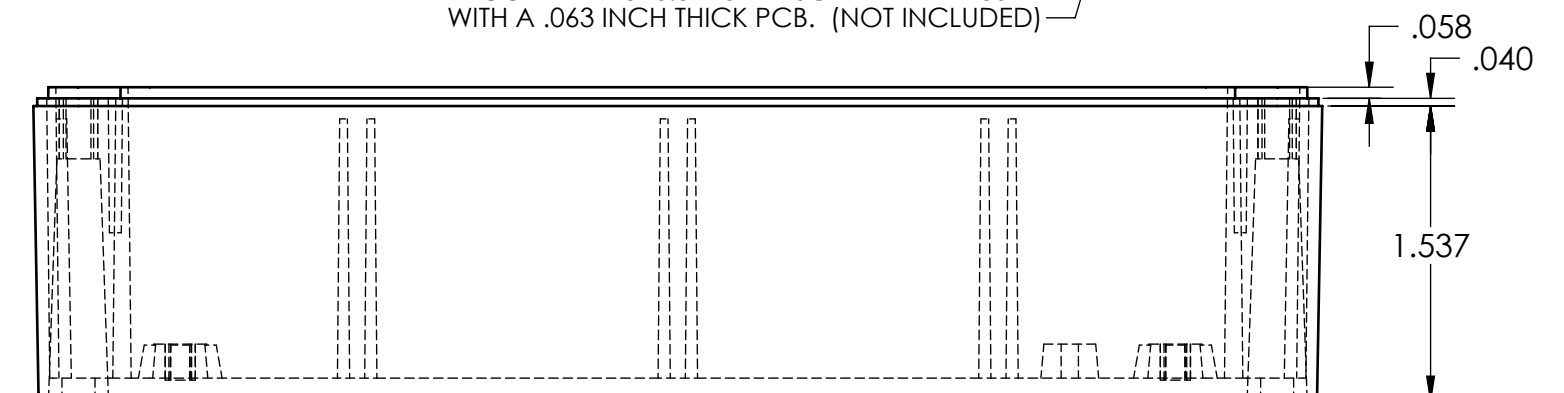
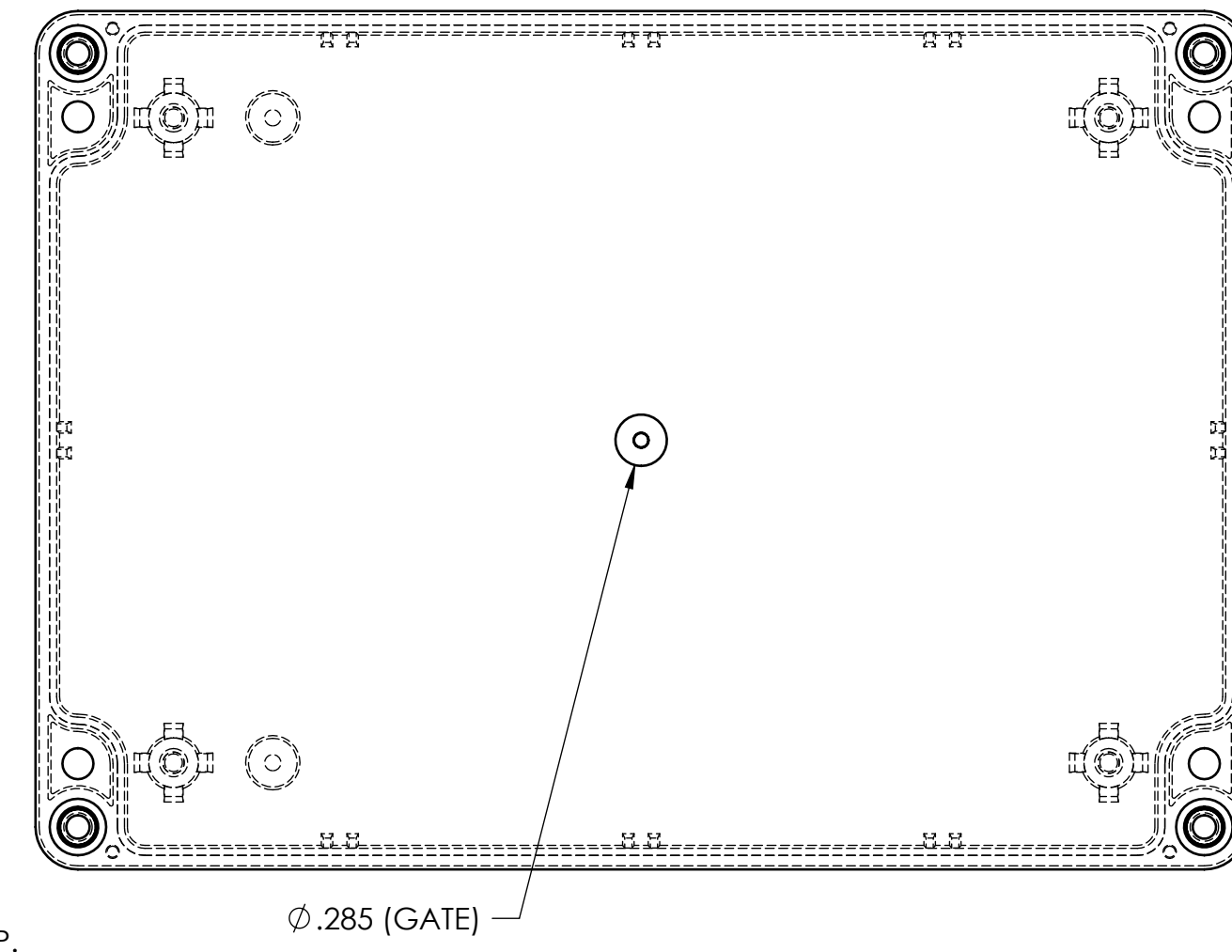
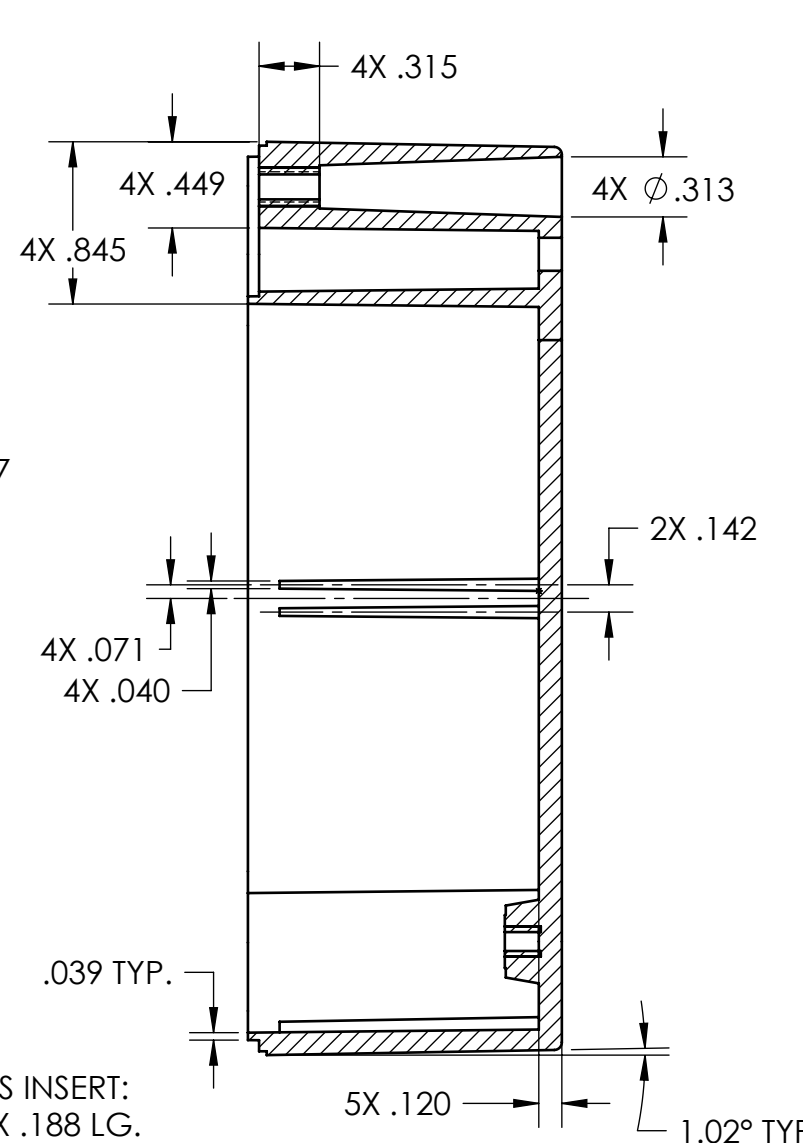
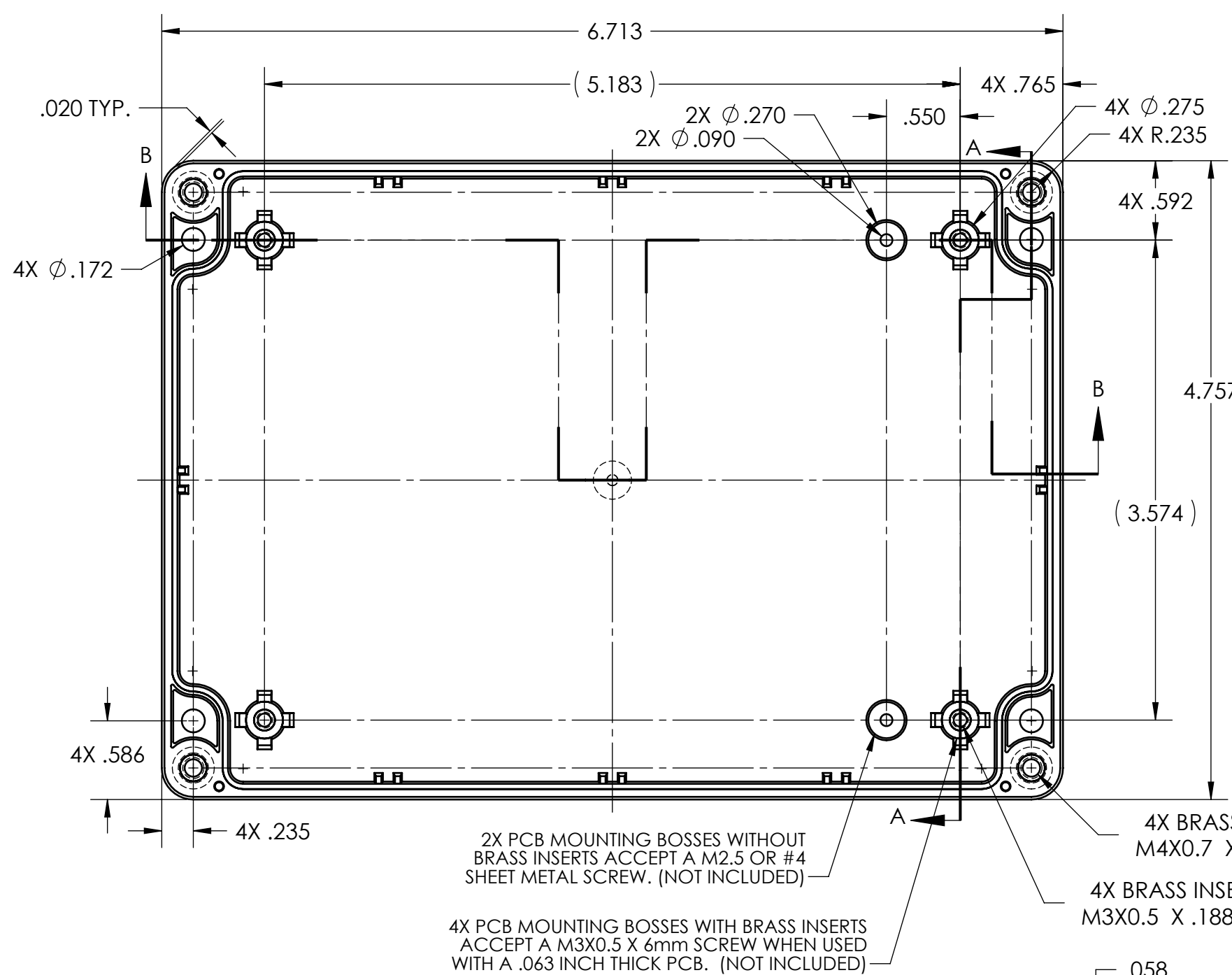


WP-24B\*15-PCB (REF. ONLY):  
PCB TEMPLATE FOR WP-24B\*15

- NOTES:
- SERVICE TEMPERATURE RANGE: -40°C TO 120°C
  - DESIGNED TO NEMA 1, 2, 4, 4X, 12, 13
  - MOUNTING FLANGE KITS ARE AVAILABLE FROM POLYCASE.
  - UL LISTED TO UL508-4X SPECIFICATIONS (UL FILE #E194432).

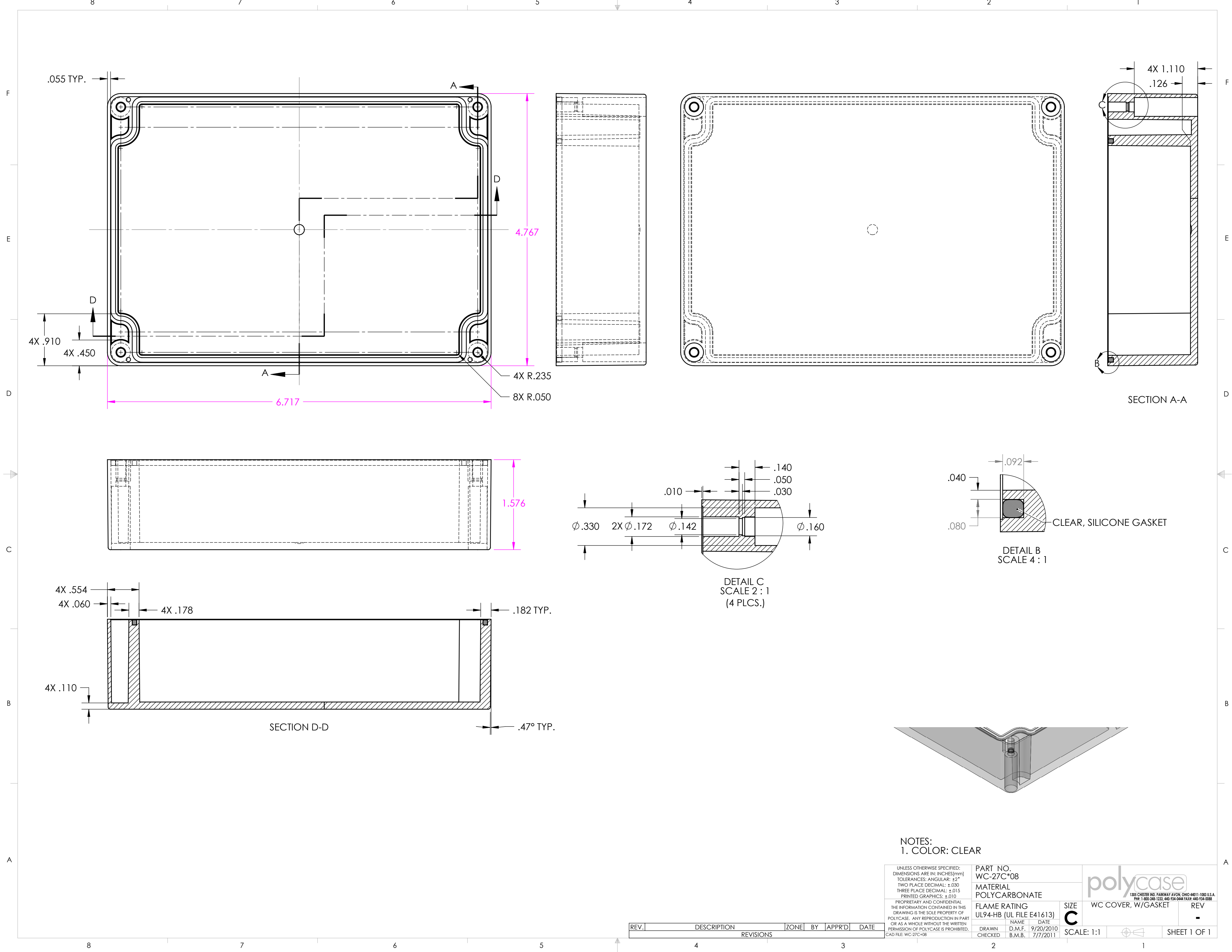
UNLESS OTHERWISE SPECIFIED: DIMENSIONS ARE IN: INCHES[mm] TOLERANCES: ANGULAR: ±2° TWO PLACE DECIMAL: ±.030 THREE PLACE DECIMAL: ±.015 PRINTED GRAPHICS: ±.010		PART NO. WC-27*1508		MATERIAL	
PROPRIETARY AND CONFIDENTIAL THE INFORMATION CONTAINED IN THIS DRAWING IS THE SOLE PROPERTY OF POLYCASE. ANY REPRODUCTION IN PART OR AS A WHOLE WITHOUT THE WRITTEN PERMISSION OF POLYCASE IS PROHIBITED. CAD FILE: WC-27*1508		FLAME RATING UL94-HB		SIZE C	
DRAWN CHECKED		NAME D.M.F. B.M.B.		DATE 9/21/2010 7/7/2011	
SCALE: 1:1		WC UNIT, W/MTG BOSSES, W/GASKET, LIGHT GRAY BASE, CLEAR COVER		REV -	

REV.	DESCRIPTION	ZONE	BY	APPR'D	DATE
REVISIONS					



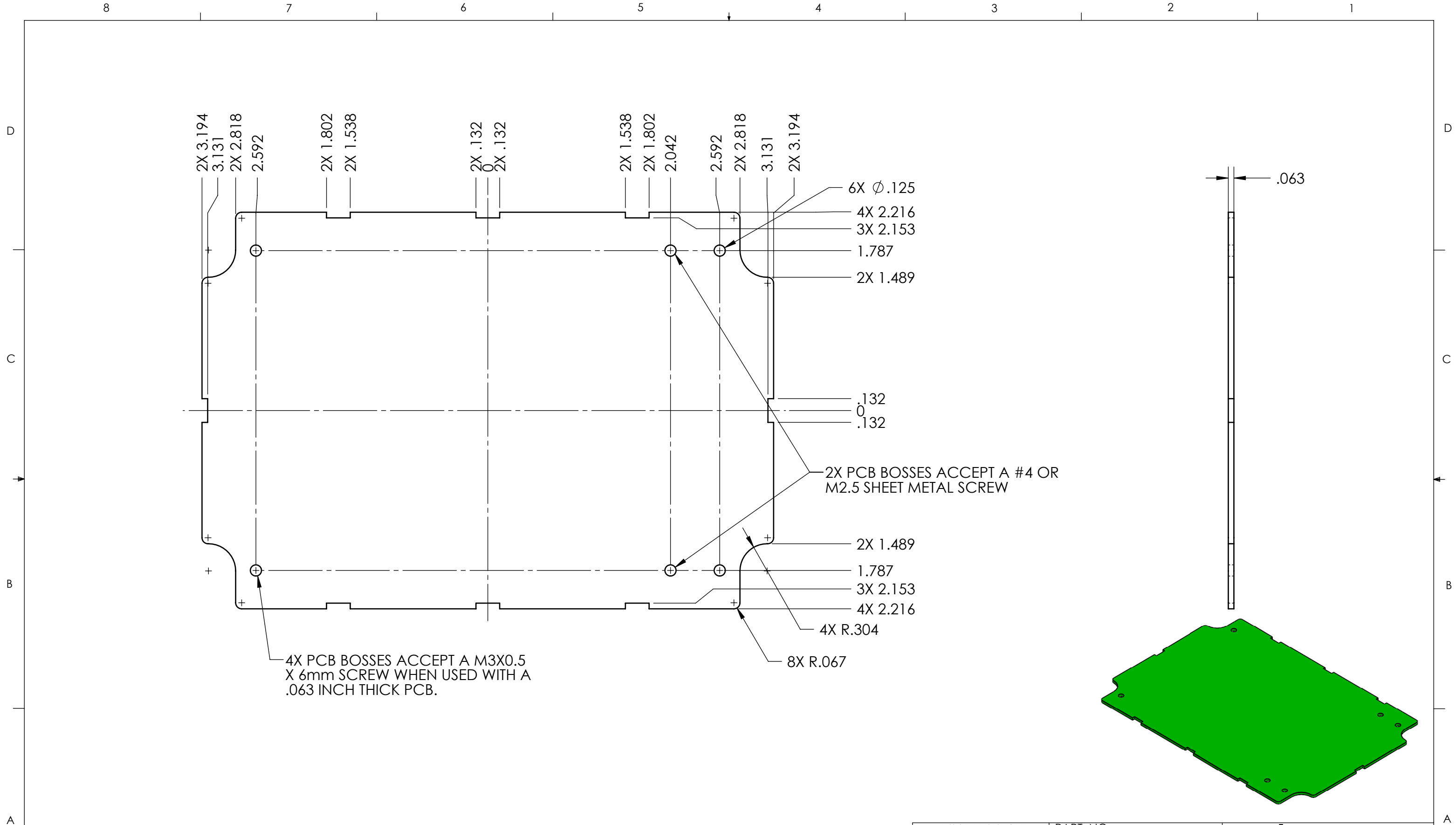
NOTES:  
1. COLOR: LIGHT GRAY

UNLESS OTHERWISE SPECIFIED: DIMENSIONS ARE IN: INCHES[mm] TOLERANCES: ANGULAR: $\pm 2^\circ$ TWO PLACE DECIMAL: $\pm .030$ THREE PLACE DECIMAL: $\pm .015$ PRINTED GRAPHICS: $\pm .010$					PART NO. WP-24B*15		 <small>1305 CHESTER RD. PARKWAY AVON, OHIO 44011-1083 U.S.A. PH: 1-800-248-1233 440-934-0044 FAX: 440-934-0088</small>
PROPRIETARY AND CONFIDENTIAL THE INFORMATION CONTAINED IN THIS DRAWING IS THE SOLE PROPERTY OF POLYCASE. ANY REPRODUCTION IN PART OR AS A WHOLE WITHOUT THE WRITTEN PERMISSION OF POLYCASE IS PROHIBITED. CAD FILE: WP-24B*15					MATERIAL POLYCARBONATE		
DRAWN CHECKED					NAME DATE D.M.F. 8/2/2010 B.M.B. 9/24/2010		FLAME RATING UL94-HB (UL FILE E41613)
REVISIONS					SIZE C		WP BASE, W/MOUNTING BOSSES
REV. DESCRIPTION ZONE BY APPR'D DATE					SCALE: 1:1		SHEET 1 OF 1




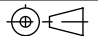
NOTES:  
1. COLOR: CLEAR

UNLESS OTHERWISE SPECIFIED: DIMENSIONS ARE IN: INCHES[mm] TOLERANCES: ANGULAR: ±2° TWO PLACE DECIMAL: ±.030 THREE PLACE DECIMAL: ±.015 PRINTED GRAPHICS: ±.010		PART NO. WC-27C*08		 <small>1305 CHESTER RD. PARKWAY AVON, OHIO 44011-1083 U.S.A. PH: 1-800-548-1233, 440-934-0444 FAX: 440-934-0088</small>	
PROPRIETARY AND CONFIDENTIAL THE INFORMATION CONTAINED IN THIS DRAWING IS THE SOLE PROPERTY OF POLYCASE. ANY REPRODUCTION IN PART OR AS A WHOLE WITHOUT THE WRITTEN PERMISSION OF POLYCASE IS PROHIBITED. CAD FILE: WC-27C*08		MATERIAL POLYCARBONATE			
FLAME RATING UL94-HB (UL FILE E41613)		SIZE C	WC COVER, W/GASKET		
REV.	DESCRIPTION	ZONE	BY	APPR'D	DATE
REVISIONS					
DRAWN	NAME	DATE	SCALE: 1:1		
CHECKED	D.M.F.	9/20/2010	SHEET 1 OF 1		
	B.M.B.	7/7/2011			



NOTES:  
 1. INCLUDES .031 CLEARANCE FROM INTERIOR OF WP-24B\*15.

ZONE	REV.	DESCRIPTION	BY	APPR'D	DATE
REVISIONS					

UNLESS OTHERWISE SPECIFIED: DIMENSIONS ARE IN: INCHES[mm] TOLERANCES: ANGULAR: ±2° TWO PLACE DECIMAL: ±.010 THREE PLACE DECIMAL: ±.005 PRINTED GRAPHICS: ±.010	PART NO. WP-24B*15-PCB		 <small>1305 CHESTER IND. PARKWAY AVON, OHIO 44011-1083 U.S.A.          PH#: 1-800-248-1233, 440-934-0444 FAX#: 440-934-0088</small>
	MATERIAL		
PROPRIETARY AND CONFIDENTIAL THE INFORMATION CONTAINED IN THIS DRAWING IS THE SOLE PROPERTY OF POLYCASE. ANY REPRODUCTION IN PART OR AS A WHOLE WITHOUT THE WRITTEN PERMISSION OF POLYCASE IS PROHIBITED. CAD FILE: WP-24B+15-PCB	FLAME RATING	SIZE <b>B</b>	PCB TEMPLATE
	DRAWN D.M.F.	NAME D.M.F.	DATE 8/2/2010
CHECKED B.M.B.	NAME B.M.B.	DATE 7/7/2011	SCALE: 1:1
			 SHEET 1 OF 1